

# ECLIPSE SELF

CONTROLLED SELF-CLOSING HINGE  
FOR HOTEL DOORS

MADE IN ITALY

---



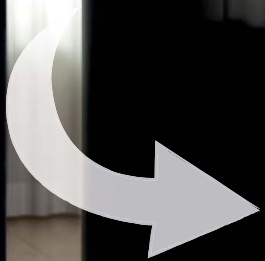
**AGB**

Open, Close, Live

322



**SELF  
CLOSING**





# ECLIPSE SELF

## CONTROLLED SELF-CLOSING HINGE FOR HOTEL DOORS

Hinge with adjustable integrated door closer and patented device that controls the closing rotation of the door.

The device is adjustable and ensures the excellent movement of sash for every kind of door.

The system is concealed in order to enhance the design of hotel door.



Self-closing  
system



Wide  
adjustments



Minimal  
design

MADE IN ITALY



# ECLIPSE SELF: COMPLETE CONTROL OF THE

The door kit of Eclipse Self is composed by a hinge with closing device and a hinge without closing device. The use of a third hinge without device is optional.

---

## HINGE WITH DEVICE

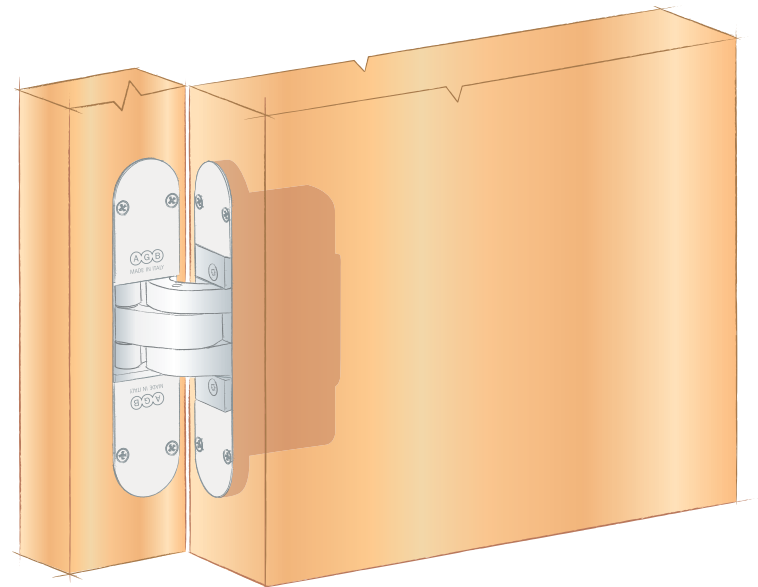
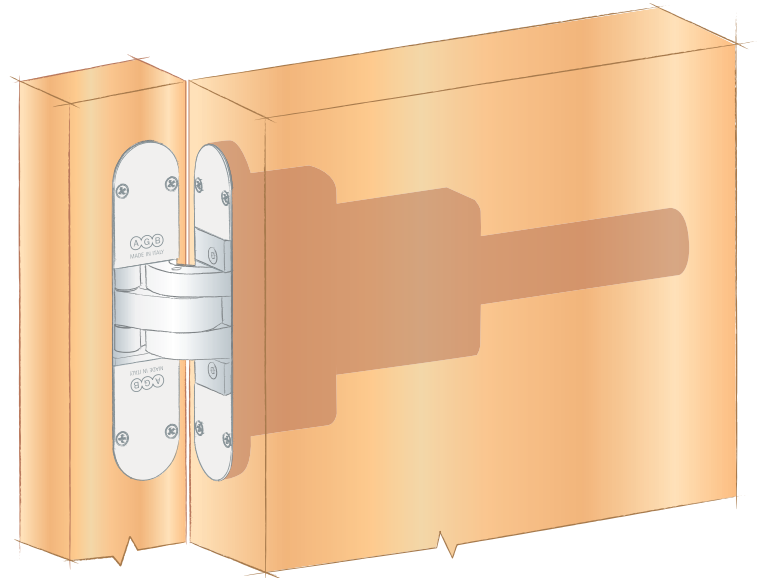
The oleodynamic device allows the door close by itself controlling the rotation. Thanks to wide adjustments, the door always closes in an optimal way, without slamming.

---

## HINGE WITHOUT DEVICE

This hinge has to be coupled with a hinge with device to guarantee the correct sash alignment and a great capacity.

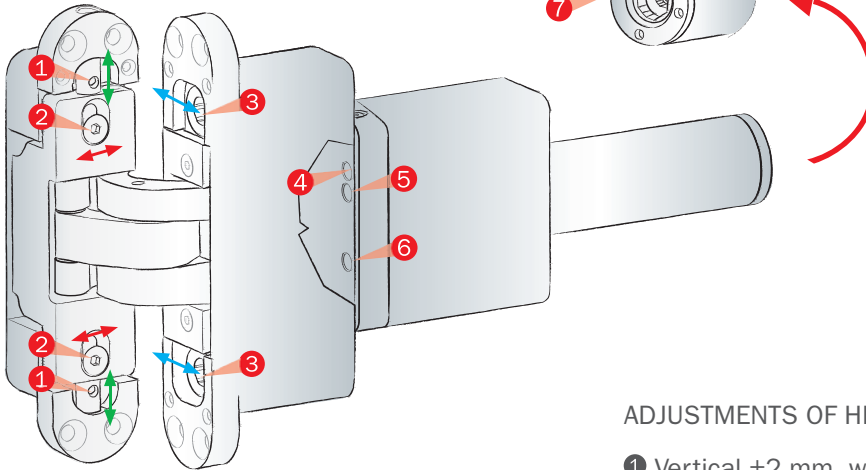
---



# HOTEL DOOR

Frame part

Sash part

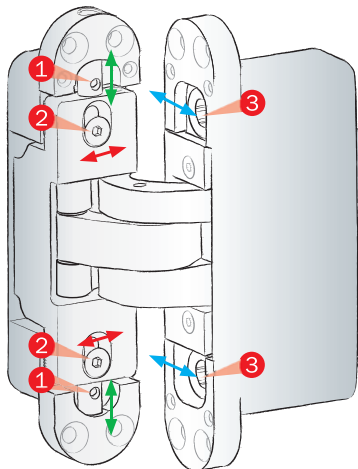


## ADJUSTMENTS OF HINGE PART:

- ① Vertical  $\pm 2$  mm, with a 3 mm Allen key;
- ② Pressure  $\pm 1$  mm, with a 3 mm Allen key;
- ③ Horizontal  $-1,5/2,5$  mm, with a 8 mm Allen key.

## ADJUSTMENTS OF CLOSING DEVICE:

- ④ Speed of final step (in the last  $12^\circ$  of closing) with a 2,5 mm Allen key;
- ⑤ Maximum opening corner, with a 2,5 mm Allen key;
- ⑥ Closing speed with a 2,5 mm Allen key;
- ⑦ Power of closing during rotation with a 12 mm Allen key.

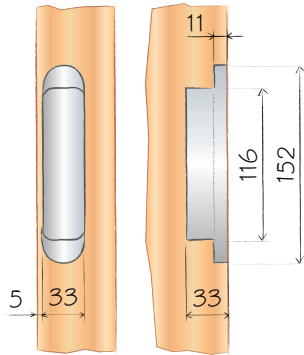


Frame part

Sash part

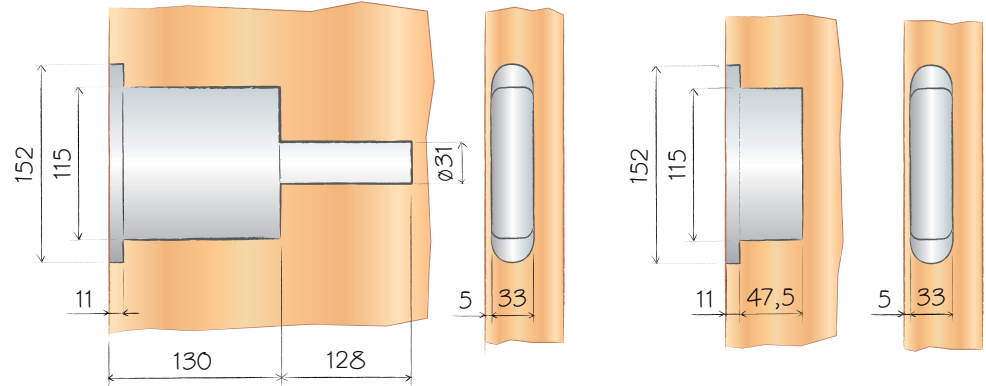
# TECHNICAL INFORMATION AND PERFORMANCES

FRAME PART



hinge with and without device

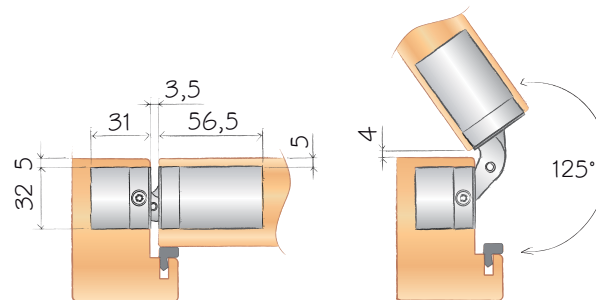
SASH PART








hinge with device

hinge without device

## SASH ROTATION



 DOOR TYPE	 CAPACITY	 HINGE ADJUSTMENTS	 ADJUSTMENTS IN CLOSING	 MAXIMUM OPENING
flush door	80 kg	3	4	125°





## ECLIPSE SELF

COMPLETELY CONCEALED,  
IT ENHANCES THE DESIGN  
OF HOTEL DOOR.

MADE IN ITALY



Open, Close, Live

Alban Giacomo spa  
Via A. De Gasperi 75,  
36060 Romano d'Ezzelino (VI) Italy  
+39 0424 832 832  
[www.agb.it](http://www.agb.it) - [info@agb.it](mailto:info@agb.it)

MADE IN ITALY