



Alban Giacomo SpA

Associate of:



Italian association of lock, hardware
and handle manufacturers

federate:



the Federation of the Italian Associations
of Mechanical and Engineering Industries

PRICE LIST 2010

Alban Giacomo SpA

Headquarters:

Via A. De Gasperi, 75
36060 Romano d'Ezzelino
(Vicenza) Italia

Tel. 0424 832 832
Fax. 0424 832 885

Warehouse:

Via Col Beretta, 4
36022 Cassola (Vi)

Cylinders plant:

Via S. Bortolo, 44
36020 Pove del Grappa (Vi)

GENERAL INDEX

Locks

Cylinders

Hinges and Bolts

Multipoints Locks

Hardware for Windows

Hardware for Pivot Windows

Sliding Systems

Hardware for Shutters

Bichromated Hardware Production until 31/12/2010

From 31/12/2010, bichromated hardware will be available until stock exhaustion.

Information

General sale conditions

Code structure

Legend

List of finishes

GENERAL SALE CONDITIONS

Orders

All orders transmitted to Alban Giacomo SpA (AGB) and the supply conditions there of are subject to acceptance by the Company, even when submitted by Alban Giacomo SpA Agents or Auxiliary Personnel. Orders by telephone or transmitted verbally are to be considered accepted only if the relative order confirmation form is forwarded to the customer. Any subsequent additions to an order must be expressly requested and will be accepted only if the order has not been processed.

Alban Giacomo SpA declines responsibility for any error in carrying out orders which are due to incomplete, missing or wrong indication of the Article Code Number.

For products with technical or supply characteristics other than those indicated in the list, the Customer is advised to make enquiries with our Sales Department before placing an order.

Minimum order value

Unless differently agreed, minimum value of order is Euro 3000.

Product modifications and data validity

To ensure a constant product development, Alban Giacomo SpA reserves the right to modify the characteristics of the products listed in this catalogue at any time and without notice. Data, drawings and pictures included in all the AGB documentation has to be considered valid, printing errors and product modifications excepted.

Prices

Prices listed in this catalogue are subject to change at any time, even at the time of delivery of the goods, as a result of sudden changes in costs.

All prices are in Euro, VAT not included.

Packaging

Standard packaging is included. Any different packaging will, however, be charged to the purchaser.

The pallets used in the delivery are owned by Alban Giacomo SpA. They must be available for the collection, by means of our couriers, under times and ways indicated by AGB Sales export dept. Return of any packaging will not be accepted, unless previously agreed upon.

Delivery terms

AGB is committed to despatch the goods in the shortest possible terms or upon customer request. Nevertheless the delivery date, even when confirmed, is no more than an estimate and has only an indicative value. No guarantee or compensation is therefore due to the purchaser if we should fail to deliver the ordered goods by the scheduled time.

As regards articles marked with a phone symbol in the list, it is the customer's responsibility to verify their availability and minimum order quantity beforehand with the Alban Giacomo SpA Sales Department.

Remainders

Any remainder will be forwarded, as soon as the goods become available, together with a subsequent order by the Customer. Alban Giacomo SpA reserves the right to round off the remainder to the box quantity. In the event that no order or request for shipment reaches us within four months, the remainder may be cancelled at our discretion.

Shipping

Unless differently agreed delivery is intended Ex Works.

Risks

All the goods travel always on buyer's behalf and risk. Any responsibility on the part of Alban Giacomo SpA ceases at the time the goods are delivered to the carrier, even if this has been appointed by AGB itself.

Payments

Only payments made directly to Alban Giacomo SpA, or in settlement of drafts issued by the Company, are valid. Interest for delayed payment will be charged to the Customer. In case of non-payment Alban Giacomo SpA reserves the right to stop all supplies and to debit the Customer's account with all the protest charges and account of redraft.

Proprietary rights

In case of extended payments the goods delivered remain the property of Alban Giacomo SpA until payment in full has been made.

Complaints

Any complaints must be sent directly to AGB immediately when discovered, by e-mail, fax or registered letter, according also to the following Warranty terms. Complaints made not immediately or filed by means other than indicated above, will not be taken into consideration.

Returns

Any return of goods must be previously authorized. Return applications must be filed using special forms issued by our Sales Department, and they must be forwarded directly to Alban Giacomo SpA. If the return application is accepted, the goods must be returned carriage free. In any case the following depreciation will be applied: 15% for goods undamaged and in perfect condition in their original packing, ready for immediate reintroduction on the market; 25% for goods undamaged and in perfect condition that requires repackaging; 30% for goods that require inspection, unless the cost of the time and materials necessary for repackaging is higher and deducted the material that cannot be re-utilized.

Special articles, items that are out of production and defective or rejected merchandise not attributable to Alban Giacomo SpA will not be accepted, nor any unauthorised items in general which, if sent to us, may be credited at a maximum value of 50% at our discretion, or set aside at the Customer's disposal for eight days and then discarded.

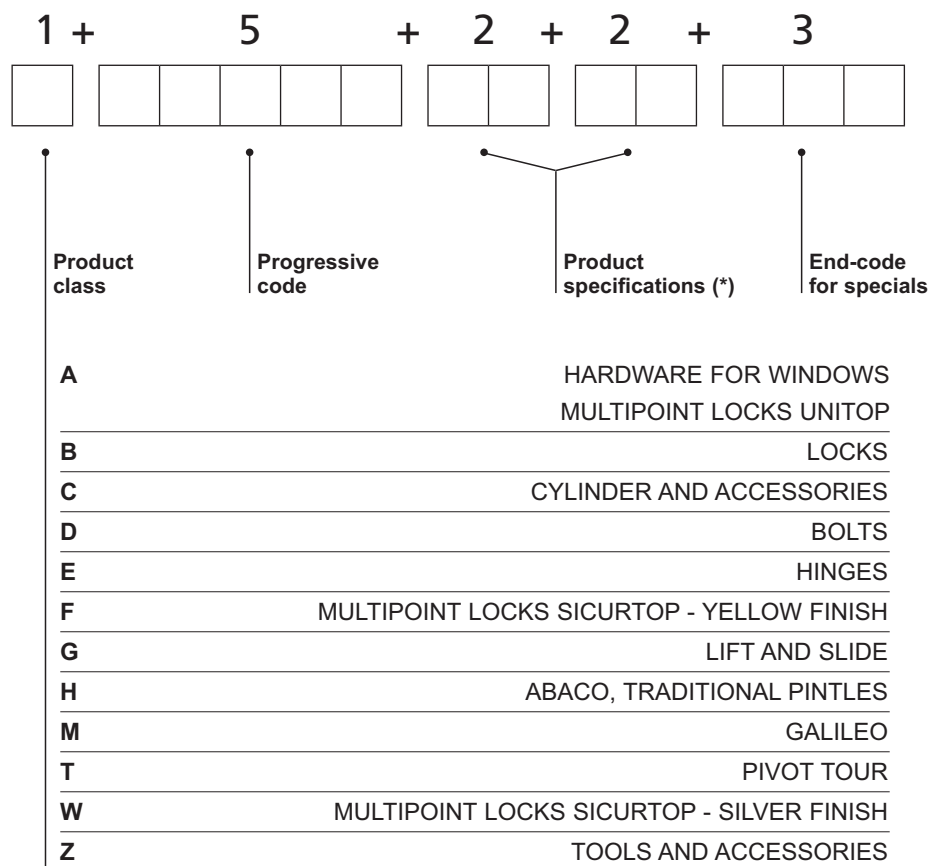
Warranty

Each of the Alban Giacomo SpA (AGB) products is expressly warranted for a period of 1 year from the date of original purchase under normal installation and use, against defects in material and workmanship. Not covered by the warranty: damage arising from improper use, modification, fitting or storage or normal wear or defects which have negligible effect on the value or operation of the product. The warranty becomes void if repairs are undertaken by unauthorized persons. AGB's liability for any defective product is limited to the repair or replacement of said product at our option, and shall not include damages of any kind, whether incidental, consequential or otherwise. Any claim must be made according the above paragraph "Complaints" and the goods must be returned carriage free.

Place of jurisdiction

The Court of Bassano del Grappa, where the contract of sale is executed, shall be competent to judge of any controversies that may arise.

CODE STRUCTURE

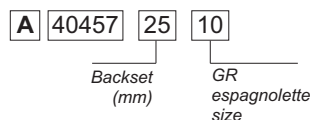


(*) Specifications change in relation to the class and the belonging group.

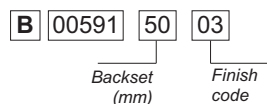
Examples:

Multipoint locks Unitop

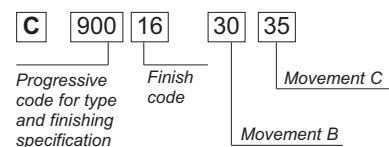
Hardware for windows - cod. A40457.25.10



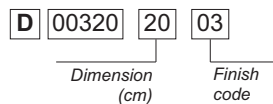
Locks - cod. B00591.50.03



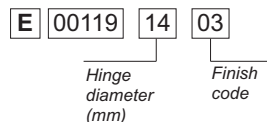
Cylinders and accessories - cod. C90000.30.35



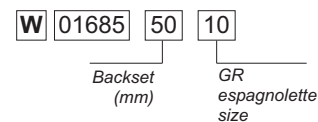
Bolts - cod. D00320.20.03



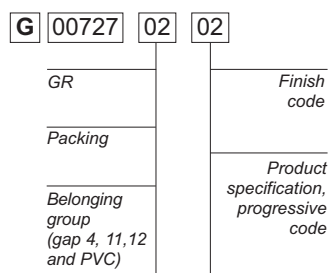
Hinges - cod. E00119.14.03



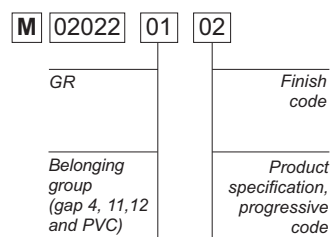
Multipoint locks Sicurtop - cod. W01685.50.10



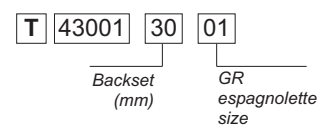
Lift and Slide - cod. G00727.02.02



Galileo - cod. M02022.01.02



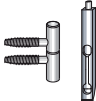









TOUR







KEY LEGEND

PRODUCT FAMILIES





















Key	Description
	Locks
	Cylinders
	Hinges and Bolts
	Multipoint Locks
	Hardware for windows
	Pivot TOUR
	Sliding Systems
	Hardware for Shutters

	New products
	Contact our Sales Dept. for availability

	No. of pcs for inner box
	No. of pcs for outer box
	Euro
	Discount Class

()The term "Anti-burglar Hardware" indicates only the possibility to build - by means of a correct installation of the AGB accessories available in the catalogue - a window which can achieve the 2nd resistance certification according to the ENV 1627÷30:2000 European regulation.*

PRODUCT SUBFAMILIES

Key	Description
	Locks for swinging doors
	Locks for sliding doors
	Locks for panic exit doors
	Hinges
	Bolts
	Sicurtop
	Unitop
	Espagnolettes and corner drives
	Stay arms and central locks
	Stay arm supports and corner hinges
	Accessories for inactive sash
	Strikers
	Jigs
	Anti-burglar Hardware (*)
	Lift & Slide
	Galileo
	Espagnolettes, bolts
	Ariete, multipoint lock for shutters
	Pintles, hinges, and brackets
	Traditional pintles

LIST OF FINISHES

The main finishes available can be displayed at www.agb.it

Finish	Finish code	Material						
		Steel	Brass	Stainless steel	Aluminium	Nylon	ABS	Zamak
Plain	01	NAT	ONT	INT	AF1	NYL	ABS	
Bronze plated	02	BRO	OBR		AF5		PF5	ZBR
Enamelled brass plated	03	AOV			AF8		ABO	ZOV
Bichromated	04	ZTR						ZZT
Zinc plated	05	ZBI						
Nickel plated	06	NIK	ONK				ABK	ZNK
Anthracite	07	ANT	OAN					ZAN
Satin	08		OST	INS				
Black zinc plated	09	ZNE						
Enamelled polished	10		OLV					
Antique gold	11	ORO						
Antique brass plated	12	OTA	OOT					
Satin nickel plated	13	ANS	ONS				ASN	
Light bronze plated	14				AF4		ABC	
Silver finish	15	ZSL						ZZS
Matt nickel plated	16	NKO	ONO					ZNO
Champagne	17				AF2			
Matt Silver	21	ARG					AAG	ZAG
Matt brass plated	23	AOO					AOP	
Cromium plated	30	CRO	OCR				ACR	ZCR
Glided	31	DOR	ODO		AF3		ADO	ZDO
Satin chromium plated	32	ACS	OCS	CRS				
Matt chromium plated	34	ACO	OCO	ICO	ALC			ZCO
Brass plated PVD	35	OPV			ALO			
Stainless steel	36	AIN	OIN					
Dark bronze plated	42	BRS						
Black enam. zinc plated	49	ZNV						
Brass plated	50	OTT					AOT	ZOT
Enamelled bichromated	51	ZTV						
Blue RAL.5002	52					NYU		
Green RAL. 6026	62					NYV		
Dark red RAL. 3011	82					NRS		
Matt black	84						ABE	
Grey RAL. 7035	86					NGR	AGR	
Grey RAL. 7016	87					NYG		
White RAL. 9010	91	AVB	OVB		ALB	NYB	ABB	ZVB
Red	92	AVR	OVR			NYR	ABR	ZVR
Black	93	AVN	OVN			NYN	ABN	ZVN
Brown	94	AVM	OVM		ALM	NYM	ABM	ZVM
Light blue	95					NYA	ABA	
White RAL. 9001	98						ABP	
Blacktech	99	ANG						



DET NORSKE VERITAS

QUALITY MANAGEMENT SYSTEM CERTIFICATE

Certificato No. / Certificate No. **CERT-00861-96-AQ-VEN-SINCERT**

Si attesta che / This certifies that

Il sistema di gestione per la qualità di / the quality management system of

ALBAN GIACOMO S.p.A.

Via A. De Gasperi, 75 - 36060 Romano d'Ezzelino (VI) - Italy

Via Col Beretta, 4 - 36022 Cassola (VI) - Italy

Via S. Bortolo, 44 - 36020 Pove del Grappa (VI) - Italy

È conforme ai requisiti della norma per i sistemi di gestione per la qualità
Conforms to the quality management systems standard

UNI EN ISO 9001:2008 (ISO 9001:2008)

Questa certificazione è valida per il seguente campo applicativo:

This certificate is valid for the following products or services:

(Ulteriori chiarimenti riguardanti lo scopo e l'applicabilità dei requisiti della normativa si possono ottenere consultando l'organizzazione certificata)
(Further clarifications regarding the scope and the applicability of the requirements of the standard(s) may be obtained by consulting the certified organization)

**Progettazione, sviluppo, fabbricazione di sistemi
di chiusura e altri accessori per serramenti**

*Design, development, manufacture of fittings for closing
systems and other devices for window and door frames*

Data Prima Emissione

First Issue Date

1996-03-12

Data di scadenza

Expiry Date

2012-12-11

Luogo e data

Place and date

Agrate Brianza, (MI) 2009-11-26

per l'Organismo di Certificazione

for the Accredited Unit

DET NORSKE VERITAS ITALIA S.R.L.

Settore EA : 17

SINCERT
ACCREDITAMENTO ORGANISMI DI CERTIFICAZIONE E ISPEZIONE

SGQ Registrazione N. 003A
SGA Registrazione N. 003D
PRD Registrazione N. 003B

Membro degli Accordi di Mutuo Riconoscimento EA e IAF
Signatory of EA and IAF Mutual Recognition Agreements

Francesco Paolo Nasuti

Lead Auditor

Vittore Marangon

Management Representative

La validità del presente certificato è subordinata a sorveglianza periodica (ogni 6, 9 o 12 mesi) e al riesame completo del sistema con periodicità triennale

The validity of this certificate is subject to periodical audits (every 6, 9 or 12 months) and the complete re-assessment of the system every three years

Le aziende in possesso di un certificato valido sono presenti nella banca dati sul sito www.dnv.it e sul sito Sincert (www.sincert.it) - All the companies with a valid certificate are online at the following addresses: www.dnv.it and www.sincert.it

VERLEIHUNGS-URKUNDE

Die Gütegemeinschaft Schlösser und Beschläge e.V. verleiht hiermit aufgrund der
ihrem Güteausschuss vorliegenden Prüfbericht dem Drehkippschlag

Based upon the test report which has been released by their quality assurance commission the quality assurance
association of locks and hardware hereby awards „Tilt and Turn Hardware“

AGB TOP SERIE

der Mitgliedsfirma
the membership company

**AGB Alban Giacomo S.p.A,
I-36060 Romano D'Ezzelino**

das von RAL (Deutsches Institut für Gütesicherung und Kennzeichnung e.V.) anerkannte
und durch Eintragung beim Deutschen Patentamt als Kollektivmarke geschützte
Gütezeichen Schlösser und Beschläge mit der Inschrift „Drehkippschlag“
the RAL-quality label shown below, having been recognized by the German RAL Institute for Quality Assurance and labelling
and trademark-legally protected by the registration in the German Patent Agency „Tilt and Turn Hardware“



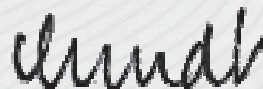
in der Klasse 130 kg, geprüft nach RAL-GZ 607/3, Ausgabe 2009
approved in class 130 kg, according to RAL-GZ 607/3, version 2009

Die Führung des Zeichens setzt die Einhaltung und Überwachung nach dieser Güte- und Prüfbestimmung
voraus. Die Kennzeichnung, die Gültigkeit und die wesentlichen Bestandteile des geprüften Produktes
sind in dem gleichlautenden Prüfbericht **Nr. 4-23/09** beschrieben.

Permission of using this RAL label is based on correct observation of RAL-GZ 607/3 - quality and testing instructions. Labelling,
validity and main components of tested product are detailed in test report no. 4-23/09 having same reference number

D-42551 Velbert, den 17. Dezember/ December 2009

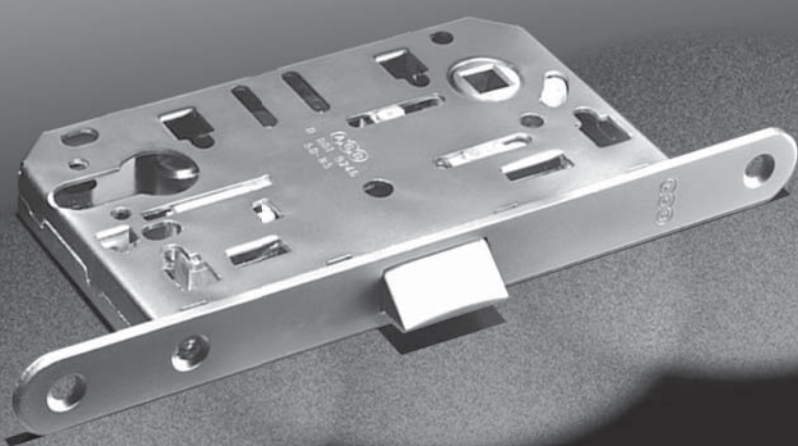
Gütegemeinschaft Schlösser und Beschläge e.V.



Geschäftsführer



LOCKS



Locks



Mediana Polaris - key lock	pag.	15
Mediana Polaris - bathroom lock	pag.	15
Mediana Polaris - cylinder lock	pag.	15
Stikers - Mediana Polaris	pag.	16
Mediana Evolution - key lock	pag.	17
Mediana Evolution - bathroom lock	pag.	17
Mediana Evolution - cylinder lock	pag.	17
Mediana Evolution convex forend - key lock	pag.	18
Mediana Evolution convex forend - bathroom lock	pag.	18
Mediana Evolution convex forend - cylinder lock	pag.	18
Mediana Evolution - Accessories	pag.	19
Centro latch only - key lock	pag.	19
Centro latch only - bathroom lock	pag.	19
Strikers - Mediana Evolution and Centro latch only	pag.	20
Electric strikers for Mediana Locks (without electric device)	pag.	22
Centro with bolt - key lock	pag.	23
Centro with bolt - bathroom lock	pag.	23
Centro with bolt - mortice lock	pag.	23
Strikers - Centro with dead bolt	pag.	24
Electric strikers for Centro Locks	pag.	26
Patent Grande - round ends, key lock	pag.	27
Patent Grande - round ends, bathroom lock	pag.	28
Patent Grande - round ends, cylinder lock	pag.	28
Patent Grande - round ends, cylinder lock, key-retractable latch	pag.	29
Patent Grande - square ends, key lock	pag.	30
Patent Grande - square ends, bathroom lock	pag.	30
Patent Grande - square ends, cylinder lock	pag.	30
Strikers - Patent Grande	pag.	31
Patent Piccola - round ends, key lock	pag.	37
Patent Piccola - round ends, bathroom lock	pag.	37
Patent Piccola - square ends, key lock	pag.	38
Patent Piccola - square ends, bathroom lock	pag.	38
Strikers - Patent Piccola	pag.	39
Mortice lock SL - round ends	pag.	41
Strikers for Mortice lock SL	pag.	42
Mortice lock - round ends	pag.	43
Mortice lock - square ends	pag.	44
Strikers - Mortice locks	pag.	45
Long wing electric strikers for mortice locks	pag.	48
Plane electric strikers for mortice locks	pag.	49
Mortice lock - dead bolt only	pag.	50
Euro72 - round ends, key lock	pag.	51
Euro72 - round ends, bathroom lock	pag.	51
Euro72 - round ends, cylinder lock	pag.	51
Strikers - Euro 72	pag.	52
Atene - key lock, square ends	pag.	54
Atene - key lock, round ends	pag.	54

NB. Patent locks - key hole, are available with 4 differs (5-7-9-11)

Locks



Folding doors - Duetto	pag.	55
Scivola Kit Table	pag.	57
Scivola TT - lock kits - round	pag.	58
Scivola - handles only kits - round	pag.	59
Scivola T - Kits with lock - round	pag.	61
Scivola - handles only kits - round steel	pag.	61
Scivola TT - lock kits - oval	pag.	62
Scivola T - Kits with lock - oval	pag.	63
Scivola - handles only kits - oval	pag.	64
Sliding doors, Scivola - locks only	pag.	66
Interchangeability lock Scivola with Scivola T	pag.	67
Sliding doors mod. 701	pag.	68
With hook - for metal profiles	pag.	70
Strikers - Sliding doors	pag.	71
Accessories	pag.	74



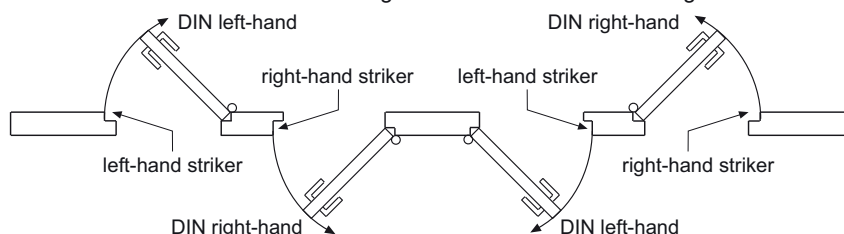
Opera Hotel SL - panic locks (both sides)	pag.	76
Opera DQ SL - panic locks (one side) with split-spindle	pag.	77
Strikers for Opera Hotel SL	pag.	78
Half wing electric strikers for Opera and Sicurezza SL	pag.	79
Electric devices table	pag.	80
Half wing electric strikers for Opera, telescopic coverplate & Sicurezza SL	pag.	81
Long wing electric strikers for Opera and Sicurezza SL	pag.	82
Electric devices table	pag.	83
Electric strikers for Opera and Sicurezza SL - Flush doors 48mm thick	pag.	84
Electric devices table	pag.	85
Opera - cylinder with occupancy indicator	pag.	86
Opera DQ - emergency with occupancy indicator	pag.	87
Opera DQ - cylinder without occupancy indicator	pag.	87
Keys	pag.	89
Key Systems	pag.	90
Opera cylinders - Extra charge for key systems	pag.	91
Opera Mod. 638 cylinders - Extra charge for key systems	pag.	92

Plane electric strikers for pivoting dead bolts	pag.	93
Plane Electric strikers for latch only locks	pag.	93
Electric devices table	pag.	93
Electric devices	pag.	94
Electric devices replacement scheme	pag.	97
Electric devices replacement scheme	pag.	98
Electric devices replacement scheme	pag.	99
Order specifications for electric strikers	pag.	100

DIN 107 standard concerning door-hand

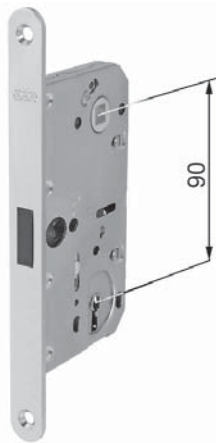
A door is defined as "right-handed" or "left-handed" when, from the opening side, the hinges are located on the "right" or "left", respectively.

AGB electrical strikers are defined right hand or left hand according to this rule:





Mediana Polaris - key lock

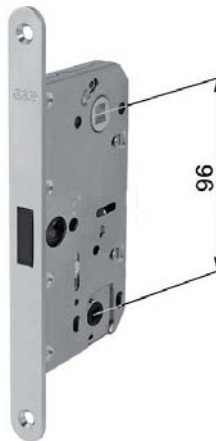


18 mm forend

STEEL

Backset 50	Enam. brass plated	● B04101.50.03	50	50
	Nickel plated	● B04101.50.06	50	50
	Matt chr. plated	● B04101.50.34	50	50

Mediana Polaris - bathroom lock, 6 mm

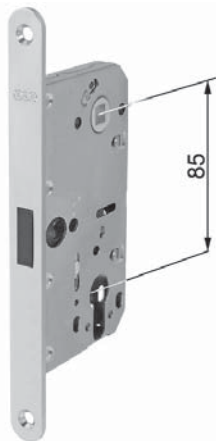


18 mm forend

STEEL

Backset 50	Enam. brass plated	● B04102.50.03	50	50
	Nickel plated	● B04102.50.06	50	50
	Matt chr. plated	● B04102.50.34	50	50

Mediana Polaris - cylinder lock



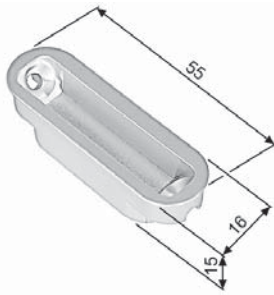
18 mm forend

STEEL

Backset 50	Enam brass plated	● B04103.50.03	50	50
	Nickel plated	● B04103.50.06	50	50
	Matt chr. plated	● B04103.50.34	50	50



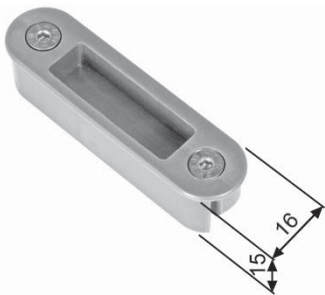
Stikers - Mediana Polaris



Minimal

55 mm

Enam. brass plated	●	B01402.05.03	50	50
Nickel plated	●	B01402.05.06	50	50
Matt chr. plated	●	B01402.05.34	50	50
Black	●	B01402.05.93	50	50
White RAL 9010	●	B01402.05.91	50	50

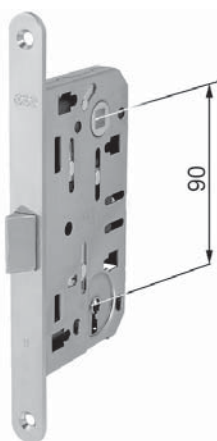


Alutop

Matt chr. plated	●	B01402.09.34	50	50
Black	●	B01402.09.93	50	50



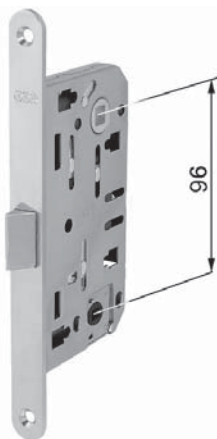
Mediana Evolution - key lock



18 mm forend

STEEL				
Backset 35	Bronze plated	B01101.35.02	50	50
	Enam. brass plated	B01101.35.03	50	50
	Nickel plated	B01101.35.06	50	50
	Matt. chr. plated	B01101.35.34	50	50
Backset 50	Bronze plated	B01101.50.02	50	50
	Enam. brass plated	B01101.50.03	50	50
	Nickel plated	B01101.50.06	50	50
	Antique Brass Plat.	B01101.50.12	50	50
	Matt Brass Plat.	B01101.50.23	50	50
	Matt. chr. plated	B01101.50.34	50	50
Backset 60	Bronze plated	B01101.60.02	50	50
	Enam. brass plated	B01101.60.03	50	50
	Nickel plated	B01101.60.06	50	50
	Matt. chr. plated	B01101.60.34	50	50

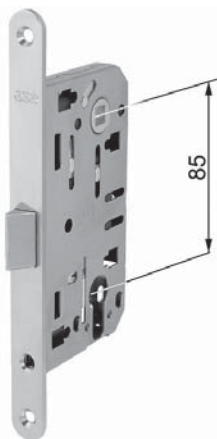
Mediana Evolution - bathroom lock



18 mm forend

STEEL				
Backset 35	Bronze plated	B01102.35.02	50	50
	Enam. brass plated	B01102.35.03	50	50
	Nickel plated	B01102.35.06	50	50
	Matt. chr. plated	B01102.35.34	50	50
Backset 50	Bronze plated	B01102.50.02	50	50
	Enam. brass plated	B01102.50.03	50	50
	Nickel plated	B01102.50.06	50	50
	Antique brass plated	B01102.50.12	50	50
	Matt brass plated	B01102.50.23	50	50
	Matt. chr. plated	B01102.50.34	50	50
Backset 60	Bronze plated	B01102.60.02	50	50
	Enam. brass plated	B01102.60.03	50	50
	Nickel plated	B01102.60.06	50	50
	Matt. chr. plated	B01102.60.34	50	50

Mediana Evolution - cylinder lock

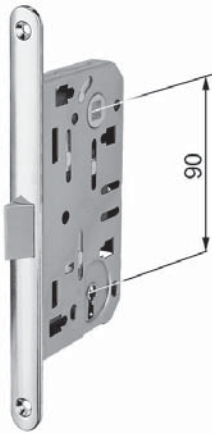


18 mm forend

STEEL				
Backset 35	Bronze plated	B01103.35.02	50	50
	Enam. brass plated	B01103.35.03	50	50
	Nickel plated	B01103.35.06	50	50
	Matt. chr. plated	B01103.35.34	50	50
Backset 50	Bronze plated	B01103.50.02	50	50
	Enam. brass plated	B01103.50.03	50	50
	Nickel plated	B01103.50.06	50	50
	Antique brass plated	B01103.50.12	50	50
	Matt brass plated	B01103.50.23	50	50
	Matt. chr. plated	B01103.50.34	50	50
Backset 60	Bronze plated	B01103.60.02	50	50
	Enam. brass plated	B01103.60.03	50	50
	Nickel plated	B01103.60.06	50	50
	Matt. chr. plated	B01103.60.34	50	50



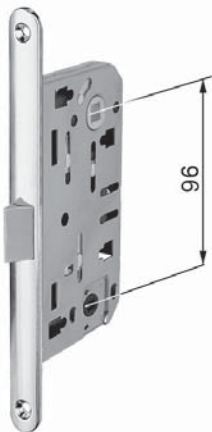
Mediana Evolution convex forend - key lock



16 mm convex faceplate

ZAMAK				
Backset 60	Nickel plated	B01301.60.06	50	50
	Gilded	B01301.60.31	50	50

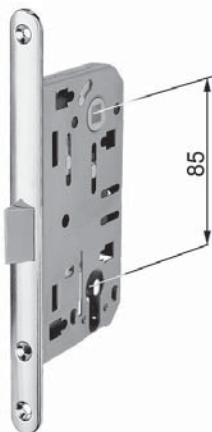
Mediana Evolution convex forend - bathroom lock



16 mm convex faceplate

ZAMAK				
Backset 60	Nickel plated	B01302.60.06	50	50
	Gilded	B01302.60.31	50	50

Mediana Evolution convex forend - cylinder lock



16 mm convex faceplate

ZAMAK				
Backset 60	Nickel plated	B01303.60.06	50	50
	Gilded	B01303.60.31	50	50



Mediana Evolution - Accessories



Metal latch with nylon insert

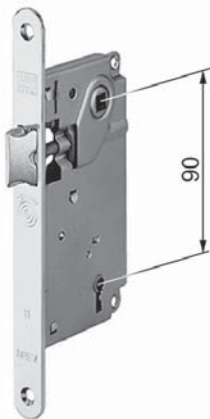
Backset 50	Bronze plated	● B01403.05.02	☎	50	50
	Enam. brass plated	B01403.05.03		50	50
	Nickel plated	B01403.05.06		50	50
	Matt chr. plated	B01403.05.34		50	50
Backset 60	Enam. brass plated	B01403.06.03		50	50
	Nickel plated	B01403.06.06		50	50
	Matt chr. plated	B01403.06.34		50	50



Dummy plate for Mediana pocket - 18 mm forend

STEEL					
196 mm	Bronze plated	B00502.18.02	☎	10	150
	Enam. brass plated	B00502.18.03		10	150
	Matt chr. plated	B00502.18.34		10	150
	Nickel Plated	B00502.18.06		10	150

Centro latch only - key lock



18 mm forend

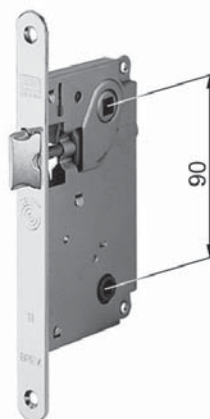
STEEL					
Backset 50	Bronze plated	B01010.50.02		50	50
	Enam. brass plated	B01010.50.03		50	50
	Nickel plated	B01010.50.06		50	50
	Matt chr. plated	B01010.50.34		50	50

22 mm forend

STEEL					
Backset 50	Bronze plated	B01009.50.02		50	50
	Enam. brass plated	B01009.50.03		50	50
	Nickel plated	B01009.50.06		50	50
	Matt chr. plated	B01009.50.34		50	50

BRASS					
Backset 50	Enam. polished	B01011.50.10		25	25

Centro latch only - bathroom lock



18 mm forend

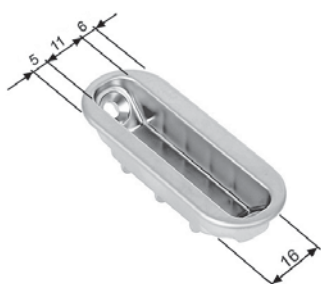
STEEL					
Backset 50	Bronze plated	B01013.50.02		50	50
	Enam. brass plated	B01013.50.03		50	50
	Nickel plated	B01013.50.06		50	50
	Matt chr. plated	B01013.50.34		50	50

22 mm forend

STEEL					
Backset 50	Bronze plated	B01012.50.02		50	50
	Enam. brass plated	B01012.50.03		50	50
	Nickel plated	B01012.50.06		50	50
	Matt chr. plated	B01012.50.34		50	50

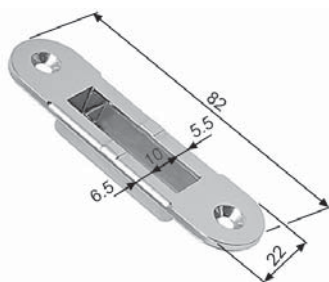


Strikers - Mediana Evolution and Centro latch only



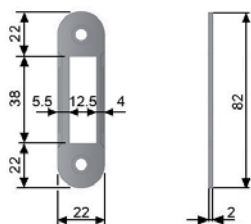
Evolution striker

Enamelled brass	●	B01402.06.03	50	50
Nickel plated	●	B01402.06.06	50	50
Matt chr. plated	●	B01402.06.34	50	50
Black	●	B01402.06.93	50	50



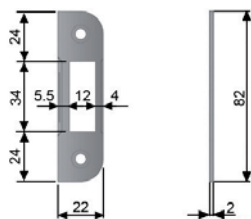
Width 22 mm, round ends

ABS				
82 mm	Enam. brass plated	B01401.00.03	50	250
	Nickel plated	B01401.00.06	50	250
	Matt chr. plated	B01401.00.34	50	250



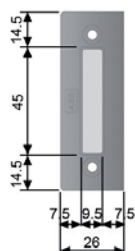
Width 22 mm, round ends

STEEL				
82 mm	Bronze plated	B01000.40.02	50	500
	Enam. brass plated	B01000.40.03	50	500
	Nickel plated	B01000.40.06	50	500
	Matt chr. plated	B01000.40.34	50	500
BRASS				
82 mm	Enam. polished	B01000.41.10	25	500



Width 22 mm, round edges, Centro latch only and Mediana

STEEL				
82 mm	Bronze plated	B01000.11.02	50	500
	Enam. brass plated	B01000.11.03	50	500
	Nickel plated	B01000.11.06	50	500
	Matt chr. plated	B01000.11.34	50	500

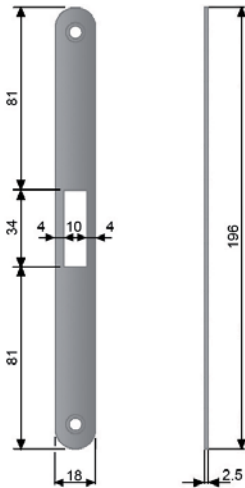


Width 26 mm, square ends with pocket

ABS				
74 mm	White RAL 9010	B01000.29.91	50	500
	Black	B01000.29.93	50	500



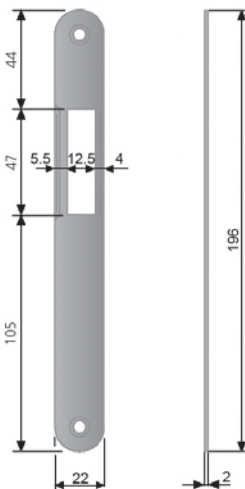
Strikers - Mediana Evolution and Centro latch only



Width 18 mm, round ends (for Mediana)

STEEL

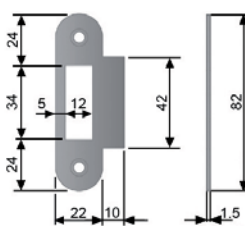
196 mm	Bronze plated	B01000.24.02	50	250
	Enam. brass plated	B01000.24.03	50	250
	Nickel plated	B01000.24.06	50	250
	Matt chr. plated	B01000.24.34	50	250



Width 22 mm, round ends (for Centro latch only)

STEEL

196 mm	Bronze plated	rh	B01000.17.02	50	250
	Bronze plated	lh	B01000.19.02	50	250
	Enam. brass plated	rh	B01000.17.03	50	250
	Enam. brass plated	lh	B01000.19.03	50	250
	Nickel plated	rh	B01000.17.06	50	250
	Nickel plated	lh	B01000.19.06	50	250
	Matt Chrom. Plat.	rh	B01000.17.34	50	250
	Matt Chrom. Plat.	lh	B01000.19.34	50	250



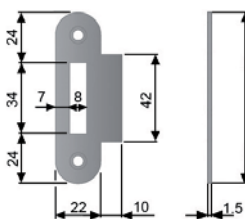
Width 22 mm, round ends, square lip

STEEL

82 mm	Bronze plated	B01000.09.02	50	500
	Enam. brass plated	B01000.09.03	50	500
	Nickel plated	B01000.09.06	50	500
	Matt chr. plated	B01000.09.34	50	500

BRASS

82 mm	Enam. polished	B01000.10.10	25	500
-------	----------------	--------------	----	-----



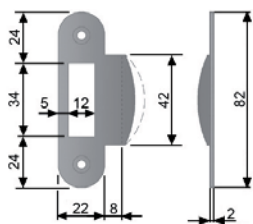
Width 22 mm, round ends, square lip and convex faceplate

STEEL

82 mm	Enam. brass plated	B01000.32.03	25	500
	Nickel plated	B01000.32.06	25	500

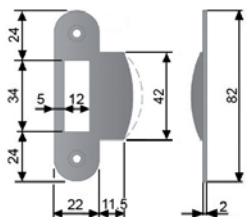


Strikers - Mediana Evolution and Centro latch only



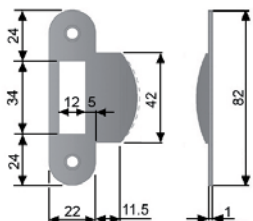
Width 22 mm, round ends, round lip 8 mm

STEEL				
82 mm	Bronze plated	B01000.13.02	50	500
	Enam. brass plated	B01000.13.03	50	500
	Nickel plated	B01000.13.06	50	500
	Matt chr. plated	B01000.13.34	50	500
BRASS				
82 mm	Enam. polished	B01000.14.10	25	500



Width 22 mm, round ends, round lip 12 mm

STEEL				
82 mm	Bronze plated	B01000.15.02	50	500
	Enam. brass plated	B01000.15.03	50	500
	Nickel plated	B01000.15.06	50	500
	Matt chr. plated	B01000.15.34	50	500
BRASS				
82 mm	Enam. polished	B01000.16.10	25	500



Width 22 mm, round ends, 1 mm thick round lip - surface mounted

STEEL				
82 mm	Bronze plated	B01000.26.02	50	500
	Enam. brass plated	B01000.26.03	50	500
	Nickel plated	B01000.26.06	50	500
	Matt chr. plated	B01000.26.34	50	500
BRASS				
82 mm	Enam. polished	B01000.27.10	25	500

Electric strikers for Mediana Locks (without electric device)



Width 22 mm, without electric device for rebated doors

STEEL				
Enam. brass plated	130 mm	B99600.00.03	1	1
Nickel plated	130 mm	B99600.00.06	1	1
Matt chr. plated	130 mm	B99600.00.34	1	1

NB. Use symmetrical radial electric device 16,5 mm B2600.OX.05 (see electric devices chapter)



Width 22 mm, without electric device for flush doors

STEEL				
Enam. brass plated	130 mm	B99601.00.03	1	25
Nickel plated	130 mm	B99601.00.06	1	25
Matt chr. plated	130 mm	B99601.00.34	1	25

NB. Use symmetrical radial electric device 16,5 mm B2600.OX.05 (see electric devices chapter)



Centro with bolt - key lock



18 mm forend

STEEL				
Backset 50	Bronze plated	B01002.50.02	50	50
	Enam. brass plated	B01002.50.03	50	50
	Nickel plated	B01002.50.06	50	50
	Matt chr. plated	B01002.50.34	50	50

22 mm forend

STEEL				
Backset 50	Bronze plated	B01001.50.02	50	50
	Enam. brass plated	B01001.50.03	50	50
	Nickel plated	B01001.50.06	50	50
	Matt chr. plated	B01001.50.34	50	50

BRASS				
Backset 50	Enam. polished	B01003.50.10	☎	25 25

Centro with bolt - bathroom lock



18 mm forend

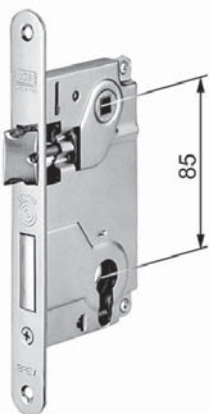
STEEL				
Backset 50	Bronze plated	B01006.50.02	50	50
	Enam. brass plated	B01006.50.03	50	50
	Bichromated	B01006.50.04	50	50
	Nickel plated	B01006.50.06	50	50
	Matt chr. plated	B01006.50.34	50	50

22 mm forend

STEEL				
Backset 50	Bronze plated	B01005.50.02	50	50
	Enam. brass plated	B01005.50.03	50	50
	Nickel plated	B01005.50.06	50	50
	Matt chr. plated	B01005.50.34	50	50

BRASS				
Backset 50	Enam. polished	B01007.50.10	☎	25 25

Centro with bolt - mortice lock



18 forend - 85 mm centre

STEEL				
Backset 50	Bronze plated	B01025.50.02	1	25
	Enam. brass plated	B01025.50.03	1	25
	Nickel plated	B01025.50.06	1	25
	Matt chr. plated	B01025.50.34	1	25

BRASS				
Backset 50	Enam. polished	B01026.50.10	1	25

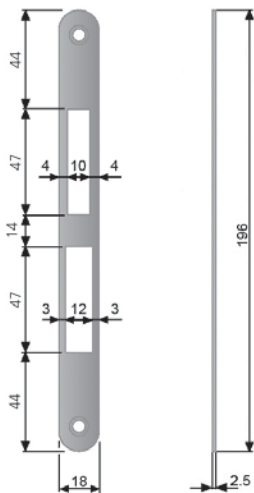
22 forend - 85 mm centre

STEEL				
Backset 50	Bronze plated	B01024.50.02	1	25
	Enam. brass plated	B01024.50.03	1	25
	Nickel plated	B01024.50.06	1	25
	Matt chr. plated	B01024.50.34	1	25

BRASS				
Backset 50	Enam. polished	B01027.50.10	1	25

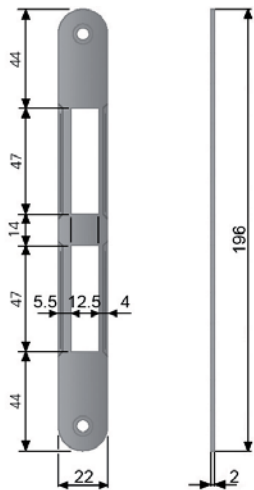


Strikers - Centro with dead bolt



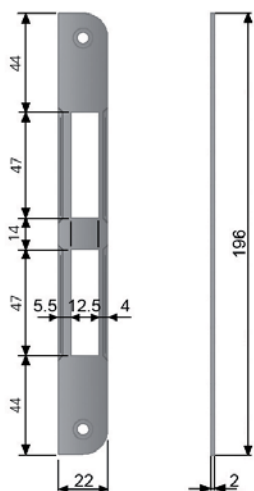
Width 18 mm, round ends

STEEL				
196 mm	Bronze plated	B01000.39.02	25	250
	Enam. brass plated	B01000.39.03	25	250
	Nickel plated	B01000.39.06	25	250
	Matt chr. plated	B01000.39.34	25	250



Width 22 mm, round ends

STEEL				
196 mm	Bronze plated	B01000.01.02	25	250
	Enam. brass plated	B01000.01.03	25	250
	Nickel plated	B01000.01.06	25	250
	Matt chr. plated	B01000.01.34	25	250
BRASS				
196 mm	Enam. polished	B01000.02.10	25	250

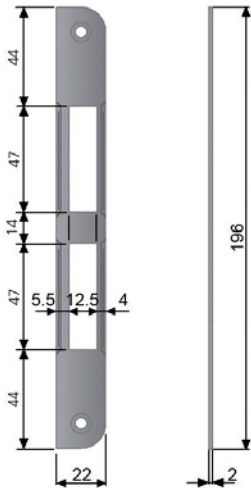


Width 22 mm, round edges

STEEL				
196 mm	Bronze plated	B01000.03.02	25	250
	Enam. brass plated	B01000.03.03	25	250
	Nickel plated	B01000.03.06	25	250
	Matt chr. plated	B01000.03.34	25	250
BRASS				
196 mm	Enam. polished	B01000.04.10	25	250

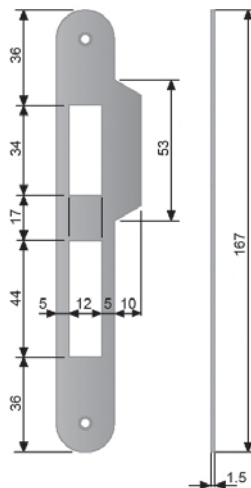


Strikers - Centro with dead bolt



Width 22 mm, convex faceplate, for frame with 5 mm radius

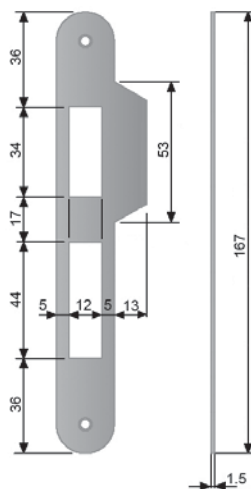
STEEL					
196 mm	Bronze plated	B01000.43.02	☎	25	250
	Enam. brass plated	B01000.43.03	☎	25	250
	Nickel plated	B01000.43.06	☎	25	250
	Matt chr. plated	B01000.43.34	☎	25	250



Width 22 mm, round ends, shaped lip 10 mm

STEEL					
167 mm	Bronze plated	B01000.05.02		50	250
	Enam. brass plated	B01000.05.03		50	250
	Nickel plated	B01000.05.06		50	250
	Matt chr. plated	B01000.05.34		50	250

BRASS					
167 mm	Enam. polished	B01000.06.10	☎	25	250



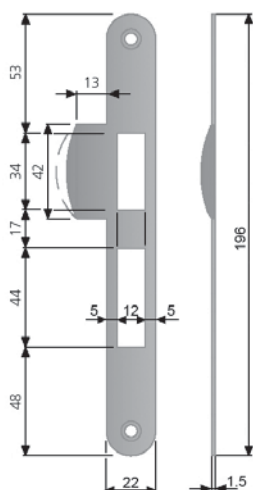
Width 22 mm, round ends, shaped lip 13 mm

STEEL					
167 mm	Bronze plated	B01000.21.02		25	250
	Enam. brass plated	B01000.21.03		25	250
	Nickel plated	B01000.21.06		25	250
	Matt chr. plated	B01000.21.34		25	250

BRASS					
167 mm	Enam. polished	B01000.22.10	☎	25	250



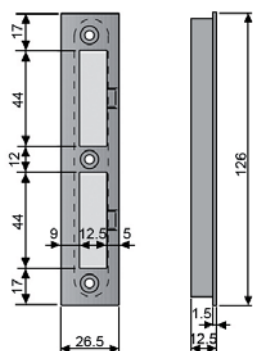
Strikers - Centro with dead bolt



Width 22 mm, round ends, curved lip 13 mm

STEEL

196 mm	Bronze plated	rh	B01000.35.02	50	250
	Bronze plated	lh	B01000.36.02	50	250
	Enam. brass plated	rh	B01000.35.03	50	250
	Enam. brass plated	lh	B01000.36.03	50	250
	Nickel plated	rh	B01000.35.06	50	250
	Nickel plated	lh	B01000.36.06	50	250
	Matt chr. plated	rh	B01000.35.34	50	250
	Matt chr. plated	lh	B01000.36.34	50	250



Width 27 mm, square ends with pockets

NYLON

134 mm	White RAL 9010	B01000.23.91	☎	300	300
	Black	B01000.23.93	☎	300	300
	Brown	B01000.23.94	☎	300	300

Electric strikers for Centro Locks



Width 25 mm - Flat plate, with repeater, 12V AC 1100 mA/ DC 1560 mA

With repeater and manual release lever

Enam. brass plated	250 mm	rh	B02610.04.03	1	10
	250 mm	lh	B02611.04.03	1	10
Matt chr. plated	250 mm	rh	B02610.04.34	1	10
	250 mm	lh	B02611.04.34	1	10

NB: electric spares table in Electric devices section

	Normal absorption
Tension	12V
Nominal resistance	8 Ω
DC absorption (stabilized)	1560 mA
AC absorption	1100 mA
Max latch preloading - DC (stabilized)	30N
Max latch preloading - AC	120N

* Dati rilevati a 20° C



Patent Grande - round ends, key lock



Mod.590, 18 mm forend

STEEL				
Backset 40	Bronze plated	B00597.40.02	50	50
	Enam. brass plated	B00597.40.03	50	50
	Bichromated	B00597.40.04	50	50
	Nickel plated	B00597.40.06	50	50
	Matt chr. plated	B00597.40.34	50	50
Backset 45	Bronze plated	B00597.45.02	50	50
	Enam. brass plated	B00597.45.03	50	50
	Bichromated	B00597.45.04	50	50
	Nickel plated	B00597.45.06	50	50
	Matt chr. plated	B00597.45.34	50	50
Backset 50	Bronze plated	B00597.50.02	50	50
	Enam. brass plated	B00597.50.03	50	50
	Bichromated	B00597.50.04	50	50
	Nickel plated	B00597.50.06	50	50
	Matt chr. plated	B00597.50.34	50	50
Backset 60	Bronze plated	B00597.60.02	50	50
	Bichromated	B00597.60.04	50	50
	Nickel plated	B00597.60.06	50	50

Mod.590, 22 mm forend

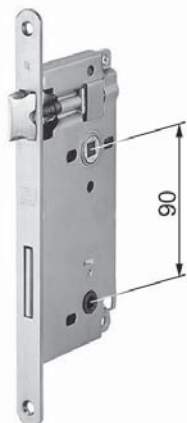
STEEL				
Backset 25	Bronze plated	B00591.25.02	50	50
	Enam. brass plated	B00591.25.03	50	50
	Matt chr. plated	B00591.25.34	50	50
Backset 30	Bronze plated	B00591.30.02	50	50
	Enam. brass plated	B00591.30.03	50	50
Backset 35	Bronze plated	B00591.35.02	50	50
	Enam. brass plated	B00591.35.03	50	50
Backset 40	Bronze plated	B00591.40.02	50	50
	Enam. brass plated	B00591.40.03	50	50
	Nickel plated	B00591.40.06	50	50
	Matt chr. plated	B00591.40.34	50	50
Backset 45	Bronze plated	B00591.45.02	50	50
	Enam. brass plated	B00591.45.03	50	50
	Nickel plated	B00591.45.06	50	50
	Matt chr. plated	B00591.45.34	50	50
Backset 50	Bronze plated	B00591.50.02	50	50
	Enam. brass plated	B00591.50.03	50	50
	Nickel plated	B00591.50.06	50	50
	Matt chr. plated	B00591.50.34	50	50
	White RAL 9010	B00591.50.91	25	25
	Black	B00591.50.93	25	25
Backset 60	Bronze plated	B00591.60.02	50	50
	Enam. brass plated	B00591.60.03	50	50
	Nickel plated	B00591.60.06	50	50
	Matt chr. plated	B00591.60.34	50	50

BRASS				
Backset 40	Enam. polished	B00593.40.10	25	25
Backset 45	Enam. polished	B00593.45.10	25	25
Backset 50	Enam. polished	B00593.50.10	25	25
Backset 60	Enam. polished	B00593.60.10	25	25

STAINLESS STEEL				
Backset 40	Satin	B04591.40.08	1	25
Backset 45	Satin	B04591.45.08	1	25
Backset 50	Satin	B04591.50.08	1	25



Patent Grande - round ends, bathroom lock



Mod.590, 18 mm forend

STEEL				
Backset 50	Bronze plated	B00598.50.02	50	50
	Enam. brass plated	B00598.50.03	50	50
	Bichromated	B00598.50.04	50	50
	Nickel plated	B00598.50.06	50	50
	Matt chr. plated	B00598.50.34	50	50

Mod.590, 22 mm forend

STEEL				
Backset 50	Bronze plated	B00595.50.02	50	50
	Enam. brass plated	B00595.50.03	50	50
	Nickel plated	B00595.50.06	50	50
	Matt chr. plated	B00595.50.34	50	50
Backset 60	Enam. brass plated	B00595.60.03	50	50
	Nickel plated	B00595.60.06	50	50
BRASS				
Backset 50	Enam. polished	B00599.50.10	25	25
STAINLESS STEEL				
Backset 50	Satin	B04595.50.08	1	25

Patent Grande - round ends, cylinder lock



Mod. 2590, 18 mm forend - 90 mm centre

STEEL				
Backset 40	Bronze plated	B02597.40.02	50	50
	Enam. brass plated	B02597.40.03	50	50
	Nickel plated	B02597.40.06	50	50
	Matt chr. plated	B02597.40.34	50	50
Backset 50	Bronze plated	B02597.50.02	50	50
	Enam. brass plated	B02597.50.03	50	50
	Bichromated	B02597.50.04	50	50
	Nickel plated	B02597.50.06	50	50
	Matt chr. plated	B02597.50.34	50	50

Mod. 2590, 22 mm forend - 90 mm centre

STEEL				
Backset 50	Bronze plated	B02591.50.02	50	50
	Enam. brass plated	B02591.50.03	50	50
	Bichromated	B02591.50.04	50	50
	Nickel plated	B02591.50.06	50	50



Patent Grande - round ends, cylinder lock, key-retractable latch



Mod. 3590, 18 mm forend - 90 mm centre

STEEL				
Backset 40	Bronze plated	B03597.40.02	50	50
	Enam. brass plated	B03597.40.03	50	50
	Bichromated	B03597.40.04	50	50
	Nickel plated	B03597.40.06	50	50
	Matt chr. plated	B03597.40.34	50	50
Backset 50	Bronze plated	B03597.50.02	50	50
	Enam. brass plated	B03597.50.03	50	50
	Bichromated	B03597.50.04	50	50
	Nickel plated	B03597.50.06	50	50
	Matt chr. plated	B03597.50.34	50	50

Mod. 3590, 22 mm forend - 90 mm centre

STEEL				
Backset 40	Bronze plated	B03591.40.02	50	50
	Enam. brass plated	B03591.40.03	50	50
	Bichromated	B03591.40.04	50	50
	Nickel plated	B03591.40.06	50	50
	Matt chr. plated	B03591.40.34	50	50
Backset 50	Bronze plated	B03591.50.02	50	50
	Enam. brass plated	B03591.50.03	50	50
	Bichromated	B03591.50.04	50	50
	Nickel plated	B03591.50.06	50	50
	Matt chr. plated	B03591.50.34	50	50

Mod. 3590, 18 mm forend - 92 mm centre

STEEL				
Backset 40	Bronze plated	B05597.40.02	50	50
	Enam. brass plated	B05597.40.03	50	50
	Bichromated	B05597.40.04	50	50
	Nickel plated	B05597.40.06	50	50
	Matt chr. plated	B05597.40.34	50	50
Backset 50	Bronze plated	B05597.50.02	50	50
	Enam. brass plated	B05597.50.03	50	50
	Bichromated	B05597.50.04	50	50
	Nickel plated	B05597.50.06	50	50
	Matt chr. plated	B05597.50.34	50	50

Mod. 3590, 22 mm forend - 92 mm centre

STEEL				
Backset 40	Bronze plated	B05591.40.02	50	50
	Enam. brass plated	B05591.40.03	50	50
	Bichromated	B05591.40.04	50	50
	Nickel plated	B05591.40.06	50	50
	Matt chr. plated	B05591.40.34	50	50
Backset 50	Bronze plated	B05591.50.02	50	50
	Enam. brass plated	B05591.50.03	50	50
	Bichromated	B05591.50.04	50	50
	Nickel plated	B05591.50.06	50	50
	Matt chr. plated	B05591.50.34	50	50

Mod. 3590, 22 mm forend - 90 mm centre (8 mm Hub)

STEEL				
Backset 50	Bronze plated	B03691.50.02	50	50
	Enam. brass plated	B03691.50.03	50	50
	Nickel plated	B03691.50.06	50	50



Patent Grande - square ends, key lock



Mod.590, 22 mm forend

STEEL					
Backset 25	Plain	B00592.25.01	📞	50	50
	Bronze plated	B00592.25.02		50	50
	Enam. brass plated	B00592.25.03		50	50
Backset 30	Plain	B00592.30.01	📞	50	50
	Bronze plated	B00592.30.02		50	50
	Enam. brass plated	B00592.30.03		50	50
Backset 35	Plain	B00592.35.01	📞	50	50
	Bronze plated	B00592.35.02		50	50
	Enam. brass plated	B00592.35.03		50	50
Backset 40	Plain	B00592.40.01	📞	50	50
	Bronze plated	B00592.40.02		50	50
	Enam. brass plated	B00592.40.03		50	50
	Nickel plated	B00592.40.06		50	50
	Matt. chr. plated	B00592.40.34		50	50
Backset 45	Plain	B00592.45.01	📞	50	50
	Bronze plated	B00592.45.02		50	50
	Enam. brass plated	B00592.45.03		50	50
	Nickel plated	B00592.45.06		50	50
	Matt. chr. plated	B00592.45.34	📞	50	50
Backset 50	Plain	B00592.50.01	📞	50	50
	Bronze plated	B00592.50.02		50	50
	Enam. brass plated	B00592.50.03		50	50
	Nickel plated	B00592.50.06		50	50
	Matt. chr. plated	B00592.50.34		50	50
Backset 60	Plain	B00592.60.01	📞	50	50
	Bronze plated	B00592.60.02		50	50
	Enam. brass plated	B00592.60.03		50	50
	Nickel plated	B00592.60.06		50	50
BRASS					
Backset 40	Enam. polished	B00594.40.10	📞	25	25
Backset 45	Enam. polished	B00594.45.10	📞	25	25
Backset 50	Enam. polished	B00594.50.10	📞	25	25
Backset 60	Enam. polished	B00594.60.10	📞	25	25

Patent Grande - square ends, bathroom lock



Mod.590, 22 mm forend

STEEL					
Backset 50	Bronze plated	B00596.50.02		50	50
	Enam. brass plated	B00596.50.03		50	50
	Nickel plated	B00596.50.06		50	50

Patent Grande - square ends, cylinder lock



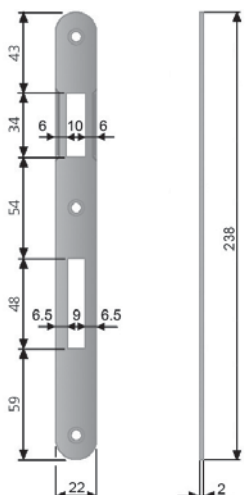
Mod. 2590, 22 mm forend

STEEL					
Backset 50	Bronze plated	B02592.50.02	📞	50	50
	Enam. brass plated	B02592.50.03	📞	50	50
	Bichromated	B02592.50.04	📞	50	50
	Matt chr. plated	B02592.50.34	📞	50	50

*Quadro maniglia 9 mm
Hub 9 mm



Strikers - Patent Grande



Width 22 mm, round ends

STEEL

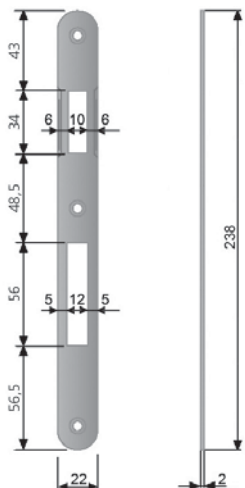
238 mm	Bronze plated	B00590.01.02	50	250
	Enam. brass plated	B00590.01.03	50	250
	Nickel plated	B00590.01.06	50	250
	Matt chr. plated	B00590.01.34	50	250
	White RAL 9010	B00590.01.91	25	250
	Black	B00590.01.93	25	250

BRASS

238 mm	Anthracite	B00590.02.07	25	250
	Enam. polished	B00590.02.10	25	250

STAINLESS STEEL

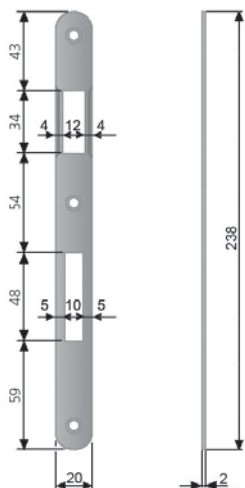
238 mm	Satin	B04590.01.08	25	250
--------	-------	--------------	----	-----



Width 22 mm, round ends, 12 mm dead bolt hole

STEEL

238 mm	Bronze plated	B00590.30.02	25	250
	Enam. brass plated	B00590.30.03	25	250
	Nickel plated	B00590.30.06	25	250



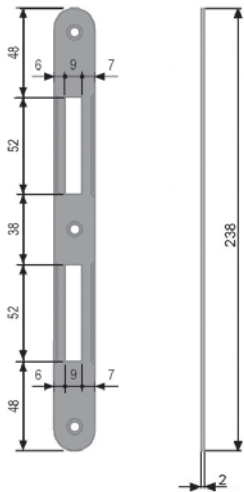
Width 20 mm, round ends

STEEL

238 mm	Bronze plated	B00590.42.02	25	250
	Enam. brass plated	B00590.42.03	25	250
	Bichromated	B00590.42.04	25	250
	Nickel plated	B00590.42.06	25	250
	Matt chr. plated	B00590.42.34	25	250

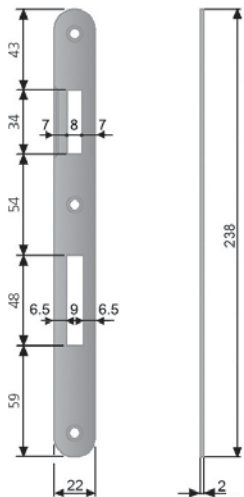


Strikers - Patent Grande



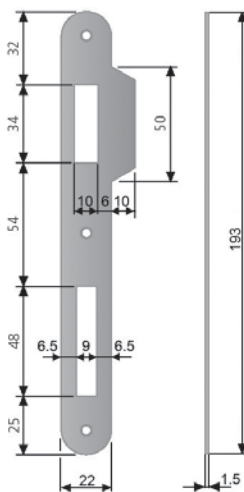
Width 22 mm, round ends reversible with offset holes

STEEL				
238 mm	Bronze plated	B00590.58.02	50	250
	Enam. brass plated	B00590.58.03	50	250
	Nickel plated	B00590.58.06	50	250
	Matt. chr. plated	B00590.58.34	50	250



Width 22 mm, round ends, 8 mm latch hole

STEEL				
238 mm	Bronze plated	B00590.25.02	50	250
	Enam. brass plated	B00590.25.03	50	250
	Nickel plated	B00590.25.06	50	250
	Matt chr. plated	B00590.25.34	50	250

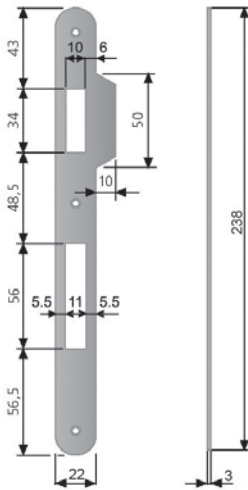


Width 22 mm, round ends, shaped lip

STEEL				
193 mm	Bronze plated	B00590.07.02	50	500
	Enam. brass plated	B00590.07.03	50	500
	Nickel plated	B00590.07.06	50	500
	Matt chr. plated	B00590.07.34	50	500
BRASS				
193 mm	Enam. polished	B00590.08.10	25	250



Strikers - Patent Grande

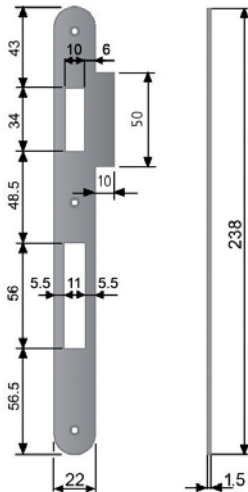


Width 22 mm, round ends shaped lip

STEEL				
238 mm	Bronze plated	B00590.11.02	50	250
	Enam. brass plated	B00590.11.03	50	250
	Bichromated	B00590.11.04	50	250
	Nickel plated	B00590.11.06	50	250
	Matt chr. plated	B00590.11.34	50	250

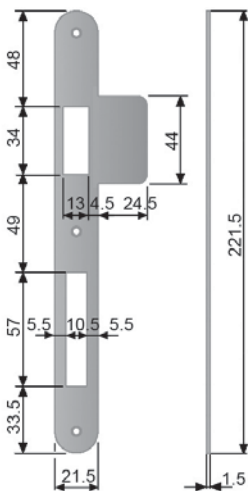
BRASS				
238 mm	Enam. polished	B00590.12.10	25	250

STAINLESS STEEL				
238 mm	Satin	B04590.11.08	25	250



Width 22 mm, round ends, square lip 10 mm

STEEL				
238 mm	Bronze plated	B00590.37.02	50	250
	Enam. brass plated	B00590.37.03	50	250
	Nickel plated	B00590.37.06	50	250

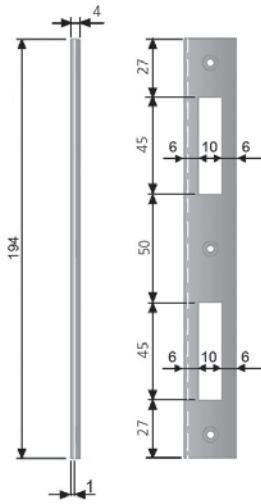


Width 22 mm, round ends, long square lip

STEEL				
222 mm	Bronze plated	B00590.45.02	50	250

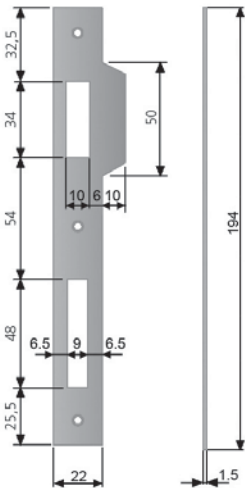


Strikers - Patent Grande



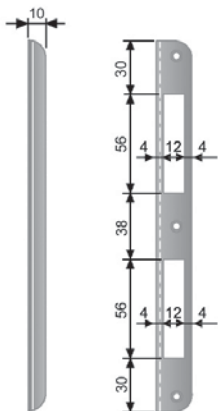
Width 22 mm, square ends "L" shaped

STEEL				
194 mm	Plain	B00590.03.01	50	500
	Bronze plated	B00590.03.02	50	500
	Enam. brass plated	B00590.03.03	50	500
	Nickel plated	B00590.03.06	50	500
	Matt chr. plated	B00590.03.34	50	500
BRASS				
194 mm	Enam. polished	B00590.04.10	25	250



Width 22 mm, square ends, shaped lips

STEEL				
194 mm	Plain	B00590.05.01	50	500
	Bronze plated	B00590.05.02	50	500
	Enam. brass plated	B00590.05.03	50	500
	Nickel plated	B00590.05.06	50	500
	Matt chr. plated	B00590.05.34	50	500
BRASS				
194 mm	Enam. polished	B00590.06.10	25	250

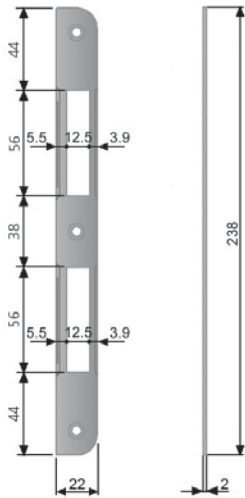


Width 20 mm, round edges, "L" shaped

STEEL				
210 mm	Bronze plated	B00590.14.02	25	250
	Enam. brass plated	B00590.14.03	25	250
	Bichromated	B00590.14.04	25	250
	Nickel plated	B00590.14.06	25	250
	Matt chr. plated	B00590.14.34	25	250

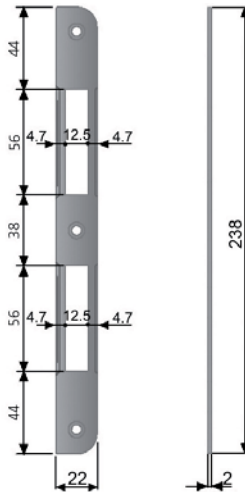


Strikers - Patent Grande



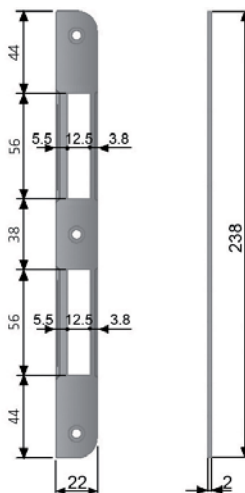
Width 22 mm, round edges, offset holes

STEEL				
238 mm	Bronze plated	B00590.09.02	50	250
	Enam. brass plated	B00590.09.03	50	250
	Nickel plated	B00590.09.06	50	250
	Matt chr. plated	B00590.09.34	50	250
BRASS				
238 mm	Enam. polished	B00590.10.10	25	250



Width 22 mm, round edges, for frame with 2 mm radius

STEEL				
238 mm	Bronze plated	B00590.40.02	50	250
	Enam. brass plated	B00590.40.03	50	250
	Nickel plated	B00590.40.06	50	250
	Matt chr. plated	B00590.40.34	50	250

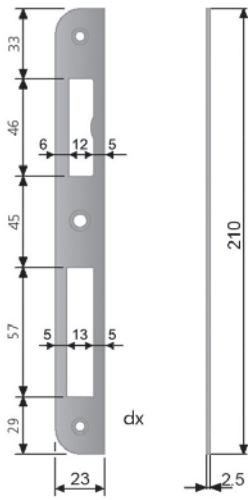


Width 22 mm, round edges, for frame with 5 mm radius

STEEL				
238 mm	Bronze plated	B00590.59.02	50	250
	Enam. brass plated	B00590.59.03	50	250
	Matt. chr. plated	B00590.59.34	50	250



Strikers - Patent Grande



Width 23 mm, round edges, right hand

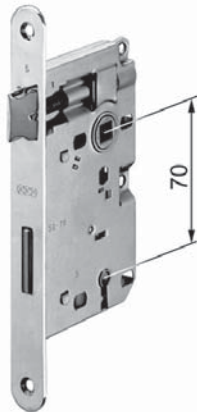
STEEL				
210 mm	Bronze plated	B00590.35.02	50	250
	Enam. brass plated	B00590.35.03	50	250
	Nickel plated	B00590.35.06	50	250
	Matt. chr. plated	B00590.35.34	50	250

Width 23 mm, round edges, left hand

STEEL				
210 mm	Bronze plated	B00590.36.02	50	250
	Enam. brass plated	B00590.36.03	50	250
	Nickel plated	B00590.36.06	50	250
	Matt. chr. plated	B00590.36.34	50	250



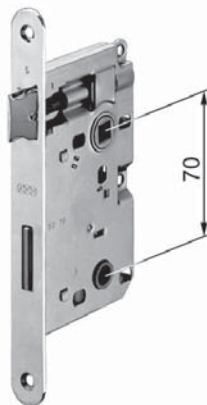
Patent Piccola - round ends, key lock



20 mm forend

STEEL					
Backset 25	Bronze plated	B00571.25.02	📞	50	50
	Enam. brass plated	B00571.25.03	📞	50	50
Backset 30	Bronze plated	B00571.30.02		50	50
	Enam. brass plated	B00571.30.03		50	50
Backset 35	Bronze plated	B00571.35.02		50	50
	Enam. brass plated	B00571.35.03		50	50
Backset 40	Bronze plated	B00571.40.02		50	50
	Enam. brass plated	B00571.40.03		50	50
	Nickel plated	B00571.40.06	📞	50	50
	Matt. chr. plated	B00571.40.34		50	50
Backset 45	Bronze plated	B00571.45.02		50	50
	Enam. brass plated	B00571.45.03		50	50
	Matt. chr. plated	B00571.45.34		50	50
Backset 50	Bronze plated	B00571.50.02		50	50
	Enam. brass plated	B00571.50.03		50	50
	Nickel plated	B00571.50.06		50	50
	Matt chr. plated	B00571.50.34		50	50
Backset 60	Bronze plated	B00571.60.02		50	50
	Enam. brass plated	B00571.60.03		50	50
	Nickel plated	B00571.60.06		50	50
BRASS					
Backset 40	Enam. polished	B00573.40.10	📞	25	25
Backset 45	Enam. polished	B00573.45.10	📞	25	25
Backset 50	Enam. polished	B00573.50.10		25	25
Backset 60	Enam. polished	B00573.60.10	📞	25	25

Patent Piccola - round ends, bathroom lock

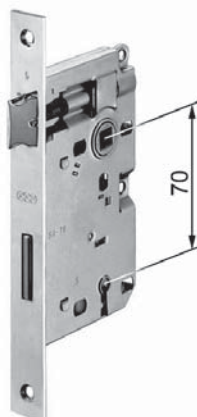


20 mm forend

STEEL					
Backset 50	Bronze plated	B00579.50.02		50	50
	Enam. brass plated	B00579.50.03		50	50
	Nickel plated	B00579.50.06		50	50
	Matt chr. plated	B00579.50.34		50	50
BRASS					
Backset 50	Enam. polished	B00581.50.10	📞	25	25



Patent Piccola - square ends, key lock



20 mm forend

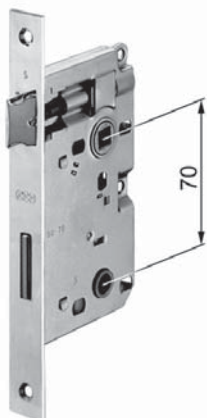
STEEL

Backset 25	Plain	B00572.25.01	📞	50	50
	Bronze plated	B00572.25.02		50	50
	Enam. brass plated	B00572.25.03		50	50
Backset 30	Plain	B00572.30.01		50	50
	Bronze plated	B00572.30.02		50	50
	Enam. brass plated	B00572.30.03		50	50
Backset 35	Plain	B00572.35.01		50	50
	Bronze plated	B00572.35.02		50	50
	Enam. brass plated	B00572.35.03		50	50
	Matt. chr. plated	B00572.35.34		50	50
Backset 40	Plain	B00572.40.01		50	50
	Bronze plated	B00572.40.02		50	50
	Enam. brass plated	B00572.40.03		50	50
	Matt chr. plated	B00572.40.34		50	50
Backset 45	Plain	B00572.45.01		50	50
	Bronze plated	B00572.45.02		50	50
	Enam. brass plated	B00572.45.03		50	50
	Matt. chr. plated	B00572.45.34		50	50
Backset 50	Plain	B00572.50.01		50	50
	Bronze plated	B00572.50.02		50	50
	Enam. brass plated	B00572.50.03		50	50
	Nickel plated	B00572.50.06		50	50
	Matt chr. plated	B00572.50.34		50	50
Backset 60	Plain	B00572.60.01	📞	50	50
	Bronze plated	B00572.60.02		50	50
	Enam. brass plated	B00572.60.03		50	50
	Nickel plated	B00572.60.06		50	50

BRASS

Backset 40	Enam. polished	B00574.40.10	📞	25	25
Backset 45	Enam. polished	B00574.45.10	📞	25	25
Backset 50	Enam. polished	B00574.50.10		25	25
Backset 60	Enam. polished	B00574.60.10	📞	25	25

Patent Piccola - square ends, bathroom lock



20 mm forend

STEEL

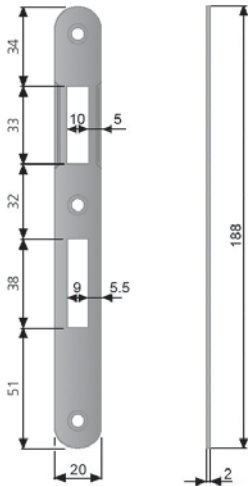
Backset 50	Plain	B00580.50.01	📞	50	50
	Bronze plated	B00580.50.02		50	50
	Enam. brass plated	B00580.50.03		50	50
	Nickel plated	B00580.50.06		50	50
	Matt chr. plated	B00580.50.34		50	50

BRASS

Backset 50	Enam. polished	B00582.50.10	📞	25	25
------------	----------------	--------------	---	----	----

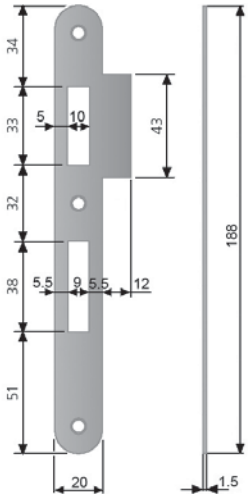


Strikers - Patent Piccola



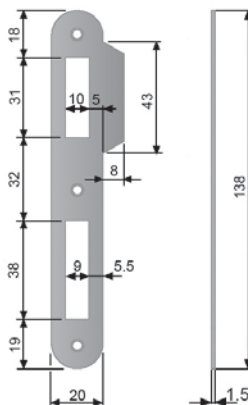
Width 20 mm, round ends

STEEL				
188 mm	Bronze plated	B00570.01.02	50	500
	Enam. brass plated	B00570.01.03	50	500
	Nickel plated	B00570.01.06	50	500
	Nickel plated	B00570.01.34	50	500
BRASS				
188 mm	Enam. polished	B00570.02.10	25	250
	Satin Chromium	B00570.02.32	25	250



Width 20 mm, round ends, square lip

STEEL				
188 mm	Bronze plated	B00570.20.02	50	500
	Enam. brass plated	B00570.20.03	50	500
	Nickel plated	B00570.20.06	50	500
	Matt chr. plated	B00570.20.34	50	500
BRASS				
188 mm	Enam. polished	B00570.21.10	25	250

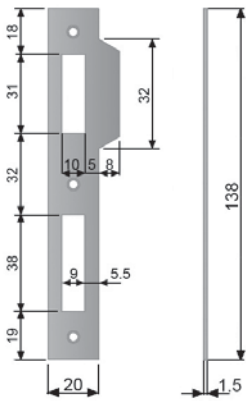


Width 20 mm, round ends, shaped lip

STEEL				
138 mm	Bronze plated	B00570.09.02	50	500
	Enam. brass plated	B00570.09.03	50	500
	Nickel plated	B00570.09.06	50	500
	Matt chr. plated	B00570.09.34	50	500
BRASS				
138 mm	Enam. polished	B00570.10.10	25	250

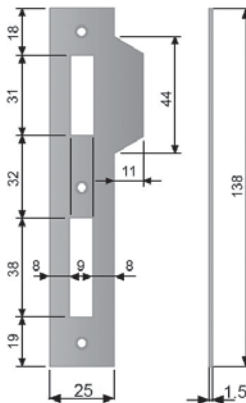


Strikers - Patent Piccola



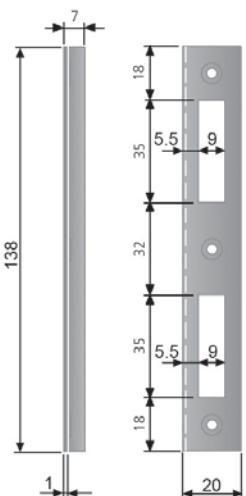
Width 20 mm, square ends, shaped lip

STEEL				
138 mm	Plain	B00570.05.01	50	500
	Bronze plated	B00570.05.02	50	500
	Enam. brass plated	B00570.05.03	50	500
	Nickel plated	B00570.05.06	50	500
BRASS				
138 mm	Enam. polished	B00570.06.10	25	250



Width 25 mm, square ends, shaped lip

STEEL				
138 mm	Plain	B00570.07.01	50	500
	Bronze plated	B00570.07.02	50	500
	Enam. brass plated	B00570.07.03	50	500
	Nickel plated	B00570.07.06	50	500
	Matt chr. plated	B00570.07.34	50	500
BRASS				
138 mm	Enam. polished	B00570.08.10	25	250



Width 20 mm, square ends, "L" shaped

STEEL				
138 mm	Plain	B00570.03.01	50	500
	Bronze plated	B00570.03.02	50	500
	Enam. brass plated	B00570.03.03	50	500
	Nickel plated	B00570.03.06	50	500



Mortice lock SL - round ends



22 mm forend

STEEL

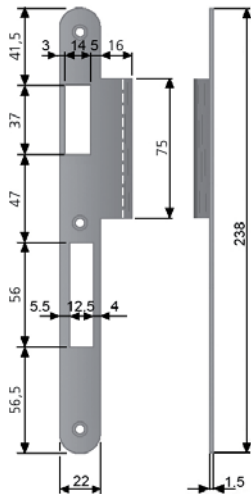
Backset 45	Enam. brass plated	rh	B54101.45.03	1	25
	Enam. brass plated	lh	B54102.45.03	1	25
	Nickel plated	rh	B54101.45.06	1	25
	Nickel plated	lh	B54102.45.06	1	25
	Matt chr. plated	rh	B54101.45.34	1	25
	Matt chr. Plated	lh	B54102.45.34	1	25
Backset 50	Enam. brass plated	rh	B54101.50.03	1	25
	Enam. brass plated	lh	B54102.50.03	1	25
	Nickel plated	rh	B54101.50.06	1	25
	Nickel plated	lh	B54102.50.06	1	25
	Matt chr. plated	rh	B54101.50.34	1	25
	Matt chr. Plated	lh	B54102.50.34	1	25
Backset 60	Enam. brass plated	rh	B54101.60.03	1	25
	Enam. brass plated	lh	B54102.60.03	1	25
	Nickel plated	rh	B54101.60.06	1	25
	Nickel plated	lh	B54102.60.06	1	25
	Matt chr. plated	rh	B54101.60.34	1	25
	Matt chr. Plated	lh	B54102.60.34	1	25
Backset 70*	Enam. brass plated	rh	B54101.70.03	1	25
	Enam. brass plated	lh	B54102.70.03	1	25
	Nickel plated	rh	B54101.70.06	1	25
	Nickel plated	lh	B54102.70.06	1	25
	Matt chr. plated	rh	B54101.70.34	1	25
	Matt chr. Plated	lh	B54102.70.34	1	25

NB: Use Opera SL electric strikers

* In Backset 70 the through screw holes are not available

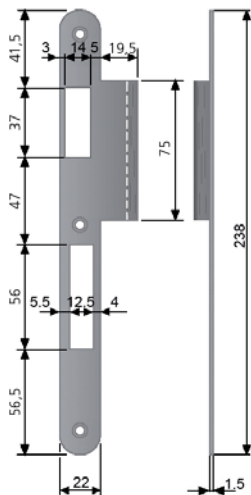


Strikers for Mortice lock SL



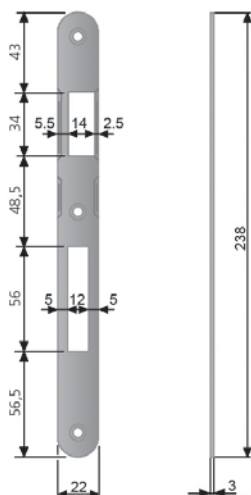
Width 22 mm, with curved lip, for flush doors 38-45 mm

238 mm	Enam. brass plated rh	B59903.01.03	1	25
	Enam. brass plated lh	B59903.02.03	1	25
	Nickel plated rh	B59903.01.06	1	25
	Nickel plated lh	B59903.02.06	1	25
	Matt brass plated rh	B59903.01.23	1	25
	Matt brass plated lh	B59903.02.23	1	25
	Matt chr. plated rh	B59903.01.34	1	25
	Matt chr. plated lh	B59903.02.34	1	25



Width 22 mm, with curved lip, for flush doors 46-52 mm

238 mm	Enam. brass plated rh	B59904.01.03	1	25
	Enam. brass plated lh	B59904.02.03	1	25
	Nickel plated rh	B59904.01.06	1	25
	Nickel plated lh	B59904.02.06	1	25
	Matt brass plated rh	B59904.01.23	1	25
	Matt brass plated lh	B59904.02.23	1	25
	Matt chr. plated rh	B59904.01.34	1	25
	Matt chr. plated lh	B59904.02.34	1	25

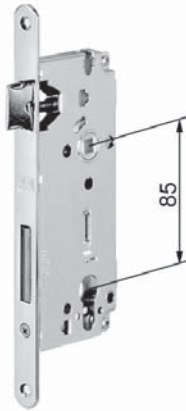


Width 22 mm, for rebated doors

238 mm	Enam. brass plated rh	B01800.02.03	1	25
	Enam. brass plated lh	B01800.03.03	1	25
	Nickel plated rh	B01800.02.06	1	25
	Nickel plated lh	B01800.03.06	1	25
	Matt brass plated rh	B01800.02.23	1	25
	Matt brass plated lh	B01800.03.23	1	25
	Matt chr. plated rh	B01800.02.34	1	25
	Matt chr. plated lh	B01800.03.34	1	25



Mortice lock - round ends



18 mm forend

STEEL					
Backset 30	Bichromated	B00860.30.04		1	25
Backset 35	Bronze Plated	B00860.35.02	📞	1	25
	Bichromated	B00860.35.04	📞	1	25
	Nickel Plated	B00860.35.06	📞	1	25
Backset 40	Bronze plated	B00860.40.02	📞	1	25
	Enam. brass plated	B00860.40.03		1	25
	Bichromated	B00860.40.04		1	25
Backset 45	Bronze plated	B00860.45.02	📞	1	25
	Enam. brass plated	B00860.45.03		1	25
	Bichromated	B00860.45.04		1	25
Backset 50	Bronze plated	B00860.50.02		1	25
	Enam. brass plated	B00860.50.03		1	25
	Bichromated	B00860.50.04		1	25
	Nickel plated	B00860.50.06		1	25
Backset 60	Matt chr. plated	B00860.50.34		1	25
	Bronze plated	B00860.60.02	📞	1	25
	Enam. brass plated	B00860.60.03	📞	1	25
	Bichromated	B00860.60.04	📞	1	25
	Nickel Plated	B00860.60.06	📞	1	25
	Matt Chrom. Plat.	B00860.60.34		1	25

22 mm forend

STEEL					
Backset 20	Bronze plated	B00851.20.02	📞	1	25
	Enam. brass plated	B00851.20.03		1	25
Backset 25	Bronze plated	B00851.25.02	📞	1	25
	Enam. brass plated	B00851.25.03		1	25
Backset 30	Bronze plated	B00851.30.02		1	25
	Enam. brass plated	B00851.30.03		1	25
	Nickel plated	B00851.30.06	📞	1	25
Backset 35	Bronze plated	B00851.35.02		1	25
	Enam. brass plated	B00851.35.03		1	25
	Nickel plated	B00851.35.06		1	25
Backset 40	Bronze plated	B00851.40.02		1	25
	Enam. brass plated	B00851.40.03		1	25
	Nickel plated	B00851.40.06		1	25
	Matt chr. plated	B00851.40.34		1	25
Backset 45	Bronze plated	B00851.45.02		1	25
	Enam. brass plated	B00851.45.03		1	25
	Nickel plated	B00851.45.06		1	25
	Matt chr. plated	B00851.45.34		1	25
Backset 50	Bronze plated	B00851.50.02		1	25
	Enam. brass plated	B00851.50.03		1	25
	Nickel plated	B00851.50.06		1	25
	Matt chr. plated	B00851.50.34		1	25
Backset 60	Bronze plated	B00851.60.02		1	25
	Enam. brass plated	B00851.60.03		1	25
	Nickel plated	B00851.60.06		1	25
	Matt chr. plated	B00851.60.34		1	25
Backset 70*	Bronze plated	B00851.70.02		1	25
	Enam. brass plated	B00851.70.03		1	25
	Nickel plated	B00851.70.06		1	25
	Matt chr. plated	B00851.70.34		1	25

NB: Use Opera SL electric strikers

* In Backset 70 the through screw holes are not available

BRASS					
Backset 40	Enam. polished	B00853.40.10	📞	1	25
Backset 45	Enam. polished	B00853.45.10	📞	1	25
Backset 50	Enam. polished	B00853.50.10		1	25
Backset 60	Enam. polished	B00853.60.10	📞	1	25
Backset 70	Enam. polished	B00853.70.10	📞	1	25

STAINLESS STEEL					
Backset 35	Satin	B04851.35.08	📞	1	25
Backset 45	Satin	B04851.45.08	📞	1	25
Backset 50	Satin	B04851.50.08		1	25



Mortice lock - round ends



22 mm forend, bathroom lock with 8 mm hub

STEEL					
Backset 50	Enam. brass plated	B00876.50.03		1	25
	Nickel plated	B00876.50.06		1	25
Backset 60	Enam. brass plated	B00876.60.03		1	25
	Nickel plated	B00876.60.06		1	25
Backset 70	Enam. brass plated	B00876.70.03		1	25
	Nickel plated	B00876.70.06		1	25

Mortice lock - square ends



16 mm forend

STEEL					
Backset 30	Bichromated	B00875.30.04		1	25
	Zinc Plated	B00875.30.05		1	25
	Nickel plated	B00875.30.06		1	25
Backset 35	Bichromated	B00875.35.04		1	25
	Zinc Plated	B00875.35.05		1	25
	Nickel plated	B00875.35.06		1	25
Backset 40	Bichromated	B00875.40.04		1	25
	Nickel plated	B00875.40.06		1	25
Backset 45	Bichromated	B00875.45.04		1	25
	Nickel plated	B00875.45.06		1	25
Backset 50	Bichromated	B00875.50.04		1	25
	Nickel plated	B00875.50.06		1	25

22 mm forend

STEEL					
Backset 20	Bronze plated	B00852.20.02		1	25
	Enam. brass plated	B00852.20.03		1	25
	Nickel plated	B00852.20.06		1	25
Backset 25	Bronze plated	B00852.25.02		1	25
	Enam. brass plated	B00852.25.03		1	25
	Nickel plated	B00852.25.06		1	25
Backset 30	Bronze plated	B00852.30.02		1	25
	Enam. brass plated	B00852.30.03		1	25
	Nickel plated	B00852.30.06		1	25
Backset 35	Bronze plated	B00852.35.02		1	25
	Enam. brass plated	B00852.35.03		1	25
	Nickel plated	B00852.35.06		1	25
Backset 40	Bronze plated	B00852.40.02		1	25
	Enam. brass plated	B00852.40.03		1	25
	Nickel plated	B00852.40.06		1	25
Backset 45	Bronze plated	B00852.45.02		1	25
	Enam. brass plated	B00852.45.03		1	25
	Nickel plated	B00852.45.06		1	25
Backset 50	Bronze plated	B00852.50.02		1	25
	Enam. brass plated	B00852.50.03		1	25
	Nickel plated	B00852.50.06		1	25
Backset 60	Bronze plated	B00852.60.02		1	25
	Enam. brass plated	B00852.60.03		1	25
	Nickel plated	B00852.60.06		1	25
Backset 70	Bronze plated	B00852.70.02		1	25
	Enam. brass plated	B00852.70.03		1	25
	Nickel plated	B00852.70.06		1	25

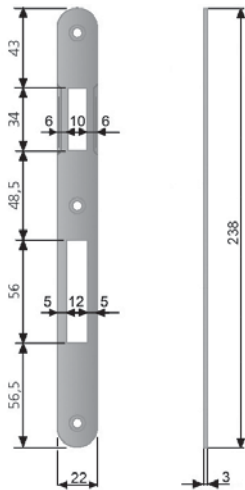
NB: Use Opera SL electric strikers

* In Backset 70 the through screw holes are not available

STAINLESS STEEL					
Backset 45	Satin	B04852.45.08		1	25
Backset 50	Satin	B04852.50.08		1	25

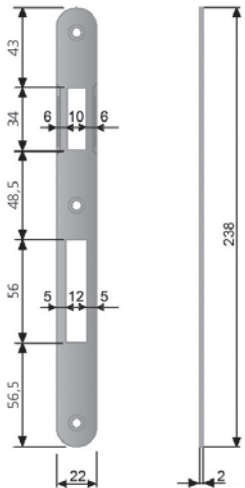


Strikers - Mortice locks



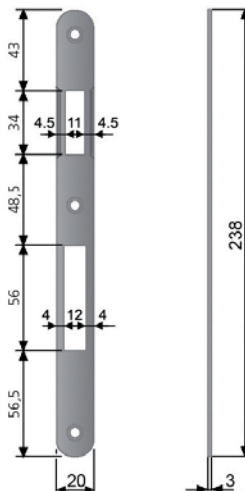
Width 22 mm, round ends, 3 mm thickness

STEEL				
238 mm	Bronze plated	B00590.15.02	25	250
	Enam. brass plated	B00590.15.03	25	250
	Nickel plated	B00590.15.06	25	250
	Matt chr. plated	B00590.15.34	25	250
BRASS				
238 mm	Enam. polished	B00590.16.10	25	250
STAINLESS STEEL				
238 mm	Satin	B04590.15.08	25	250



Width 22 mm, round ends, 2 mm thickness

STEEL				
238 mm	Bronze plated	B00590.30.02	25	250
	Enam. brass plated	B00590.30.03	25	250
	Nickel plated	B00590.30.06	25	250
	Matt chr. plated	B00590.30.34	25	250

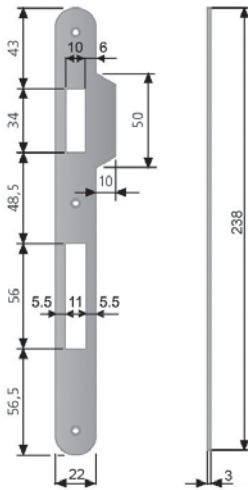


Width 20 mm, round ends

STEEL				
238 mm	Bronze plated	B00590.43.02	25	250
	Enam. brass plated	B00590.43.03	25	250
	Bichromated	B00590.43.04	25	250
	Nickel plated	B00590.43.06	25	250
	Silver	B00590.43.15	25	250
	Matt chr. plated	B00590.43.34	25	250

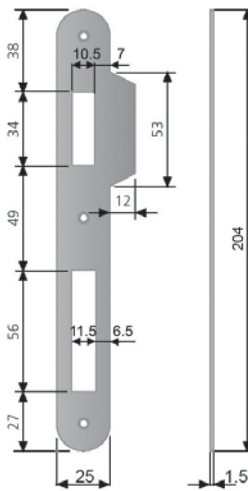


Strikers - Mortice locks



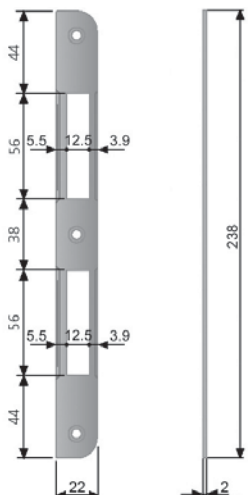
Width 22 mm, round ends, shaped lip

STEEL				
238 mm	Bronze plated	B00590.11.02	50	250
	Enam. brass plated	B00590.11.03	50	250
	Nickel plated	B00590.11.06	50	250
BRASS				
238 mm	Enam. polished	B00590.12.10	25	250



Width 25 mm, round ends, shaped lip

STEEL				
204 mm	Enam. brass plated	B00590.21.03	25	250
	Nickel plated	B00590.21.06	25	250
	Matt. chr. plated	B00590.21.34	25	250
BRASS				
204 mm	Enam. polished	B00590.22.10	25	250

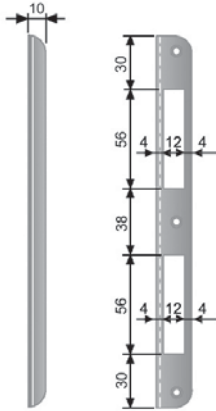


Width 22 mm, round edges, offset holes

STEEL				
238 mm	Bronze plated	B00590.09.02	50	250
	Enam. brass plated	B00590.09.03	50	250
	Nickel plated	B00590.09.06	50	250
BRASS				
238 mm	Enam. polished	B00590.10.10	25	250

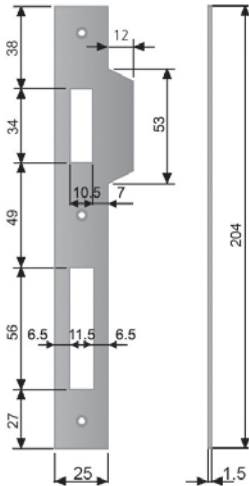


Strikers - Mortice locks



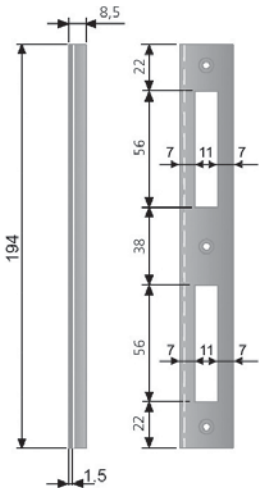
Width 20 mm, round edges, "L" shaped

STEEL				
210 mm	Bronze plated	B00590.14.02	25	250
	Enam. brass plated	B00590.14.03	25	250
	Bichromated	B00590.14.04	25	250
	Nickel plated	B00590.14.06	25	250



Width 25 mm, square ends, shaped lip

STEEL				
204 mm	Bronze plated	B00590.19.02	25	250
	Enam. brass plated	B00590.19.03	25	250
	Nickel plated	B00590.19.06	25	250
BRASS				
204 mm	Enam. polished	B00590.20.10	25	250
	Matt chr. plated	B00590.20.34	25	250
STAINLESS STEEL				
204 mm	Satin	B04590.19.08	25	250



Width 25 mm, square ends, "L" shaped

STEEL				
194 mm	Bronze plated	B00590.17.02	25	250
	Enam. brass plated	B00590.17.03	25	250
	Nickel plated	B00590.17.06	25	250
	Matt chr. plated	B00590.17.34	25	250
BRASS				
194 mm	Enam. polished	B00590.18.10	25	250



Long wing electric strikers for mortice locks



Width 25 mm - Long lip, round ends

With repeater and manual release lever 12V AC 1100 mA /DC 1560 mA

Bronze plated	250 mm	rh	B02607.04.02	☎	1	10
	250 mm	lh	B02608.04.02	☎	1	10
Enam. brass plated	250 mm	rh	B02607.04.03	☎	1	10
	250 mm	lh	B02608.04.03	☎	1	10
Nickel plated	250 mm	rh	B02607.04.06	☎	1	10
	250 mm	lh	B02608.04.06	☎	1	10
Matt chr. plated	250 mm	rh	B02607.04.34	☎	1	10
	250 mm	lh	B02608.04.34	☎	1	10

NB: not use with Sicurezza B00850 AGB

	Normal absorption
Tension	12V
Nominal resistance	8 Ω
DC absorption (stabilized)	1560 mA
AC absorption	1100 mA
Max latch preloading - DC (stabilized)	30N
Max latch preloading - AC	120N

NB: electric spares table in Electric devices section



Width 25 mm - Long lip, round ends

Without electric device with adjustable tray

Bronze plated	250 mm	rh	B02607.00.02	☎	1	10
	250 mm	lh	B02608.00.02	☎	1	10
Enam. brass plated	250 mm	rh	B02607.00.03	☎	1	10
	250 mm	lh	B02608.00.03	☎	1	10
Nickel plated	250 mm	rh	B02607.00.06	☎	1	10
	250 mm	lh	B02608.00.06	☎	1	10
Matt chr. plated	250 mm	rh	B02607.00.34	☎	1	10
	250 mm	lh	B02608.00.34	☎	1	10



Plane electric strikers for mortice locks



Width 25 mm - nonhanded, with repeater

STEEL - With manual release lever

Bronze plated	250 mm	B02609.04.02		1	10
Enam. brass plated	250 mm	B02609.04.03		1	10
Nickel plated	250 mm	B02609.04.06		1	10
Matt chr. plated	250 mm	B02609.04.34		1	10

NB: not use with Sicurezza B00850 AGB

	Normal absorption
Tension	12V
Nominal resistance	8 Ω
DC absorption (stabilized)	1560 mA
AC absorption	1100 mA
Max latch preloading - DC (stabilized)	30N
Max latch preloading - AC	120N

NB: electric spares table in Electric devices section



Mortice lock - dead bolt only



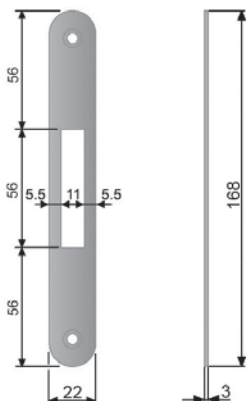
Round ends, forend 22 mm

STEEL					
Backset 35	Bronze plated	B00855.35.02	📞	1	25
	Enam. brass plated	B00855.35.03	📞	1	25
Backset 40	Bronze plated	B00855.40.02	📞	1	25
	Enam. brass plated	B00855.40.03	📞	1	25
Backset 45	Bronze plated	B00855.45.02	📞	1	25
	Enam. brass plated	B00855.45.03	📞	1	25
Backset 50	Bronze plated	B00855.50.02	📞	1	25
	Enam. brass plated	B00855.50.03	📞	1	25
Backset 60	Bronze plated	B00855.60.02	📞	1	25
	Enam. brass plated	B00855.60.03	📞	1	25
Backset 70	Bronze plated	B00855.70.02	📞	1	25
	Enam. brass plated	B00855.70.03	📞	1	25
BRASS					
Backset 35	Enam. polished	B00857.35.10	📞	1	25
Backset 40	Enam. polished	B00857.40.10	📞	1	25
Backset 50	Enam. polished	B00857.50.10	📞	1	25



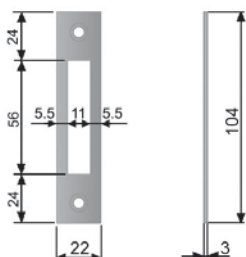
Square ends, forend 22 mm

STEEL					
Backset 35	Bronze plated	B00856.35.02	📞	1	25
	Enam. brass plated	B00856.35.03	📞	1	25
	Nickel plated	B00856.35.06	📞	1	25
Backset 40	Bronze plated	B00856.40.02	📞	1	25
	Enam. brass plated	B00856.40.03	📞	1	25
	Nickel plated	B00856.40.06	📞	1	25
Backset 45	Bronze plated	B00856.45.02	📞	1	25
	Enam. brass plated	B00856.45.03	📞	1	25
	Nickel plated	B00856.45.06	📞	1	25
Backset 50	Bronze plated	B00856.50.02	📞	1	25
	Enam. brass plated	B00856.50.03	📞	1	25
	Nickel plated	B00856.50.06	📞	1	25
Backset 60	Bronze plated	B00856.60.02	📞	1	25
	Enam. brass plated	B00856.60.03	📞	1	25
	Nickel plated	B00856.60.06	📞	1	25
Backset 70	Bronze plated	B00856.70.02	📞	1	25
	Enam. brass plated	B00856.70.03	📞	1	25
	Nickel plated	B00856.70.06	📞	1	25
BRASS					
Backset 60	Enam. polished	B00871.60.10	📞	1	25



Width 22 mm, round ends, dead bolt only

STEEL					
	Bronze plated	B00590.26.02	📞	50	250
	Enam. brass plated	B00590.26.03	📞	50	250
	Matt Chrom. Plat.	B00590.26.34	📞	50	250



Width 22 mm, square ends, dead bolt only

BRASS					
	Enam. polished	B00590.29.10	📞	25	250



Euro72 - round ends, key lock



72 mm centre - 18 mm forend

STEEL				
Backset 55	Bronze plated	B10071.55.02		50 50
	Enam. brass plated	B10071.55.03		50 50
	Bichromated	B10071.55.04		50 50

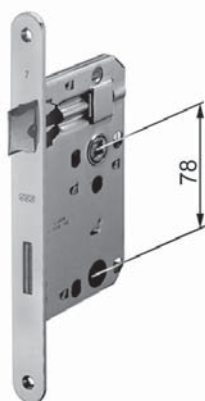
72 mm centre - 20 mm forend

STEEL				
Backset 55	Bronze plated	B10072.55.02		50 50
	Enam. brass plated	B10072.55.03		50 50
	Bichromated	B10072.55.04		50 50
	Nickel Plated	B10072.55.06		50 50

72 mm centre - 24 mm forend

STEEL				
Backset 55	Bronze plated	B10073.55.02		50 50
	Enam. brass plated	B10073.55.03		50 50
	Bichromated	B10073.55.04		50 50

Euro72 - round ends, bathroom lock



78 mm centre - 18 mm forend

STEEL				
Backset 55	Bronze plated	B10077.55.02		50 50
	Enam. brass plated	B10077.55.03		50 50
	Bichromated	B10077.55.04		50 50
	Nickel Plated	B10077.55.06		50 50

78 mm centre - 20 mm forend

STEEL				
Backset 55	Bronze plated	B10078.55.02		50 50
	Enam. brass plated	B10078.55.03		50 50
	Bichromated	B10078.55.04		50 50

Euro72 - round ends, cylinder lock



72 mm centre - 18 mm forend

STEEL				
Backset 55	Bronze plated	B10083.55.02		50 50
	Enam. brass plated	B10083.55.03		50 50
	Bichromated	B10083.55.04		50 50
	Nickel Plated	B10083.55.06		50 50

72 mm centre - 20 mm forend

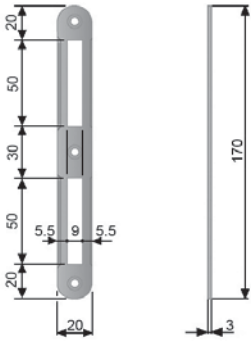
STEEL				
Backset 55	Bronze plated	B10084.55.02		50 50
	Enam. brass plated	B10084.55.03		50 50
	Bichromated	B10084.55.04		50 50

72 mm centre - 24 mm forend

STEEL				
Backset 55	Bronze plated	B10085.55.02		50 50
	Enam. brass plated	B10085.55.03		50 50
	Bichromated	B10085.55.04		50 50

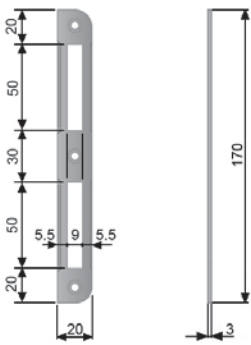


Strikers - Euro 72



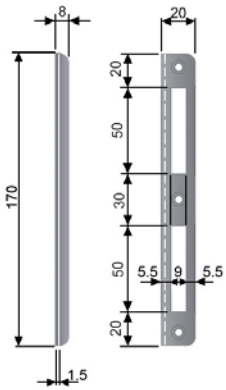
Width 20 mm, round ends

STEEL					
170 mm	Bronze plated	B10070.01.02		25	250
	Enam. brass plated	B10070.01.03		25	250
	Bichromated	B10070.01.04		25	250



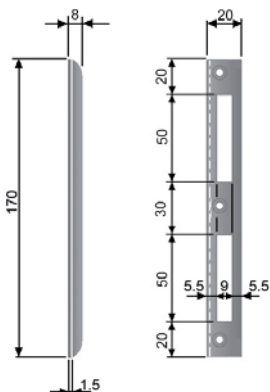
Width 20 mm, round edges

STEEL					
170 mm	Bronze plated	B10070.03.02		25	250
	Enam. brass plated	B10070.03.03		25	250
	Bichromated	B10070.03.04		25	250



Width 20 mm, radius 6 mm, 8 mm fold

STEEL					
170 mm	Bronze plated	B10070.15.02		25	250
	Enam. brass plated	B10070.15.03		25	250
	Bichromated	B10070.15.04		25	250

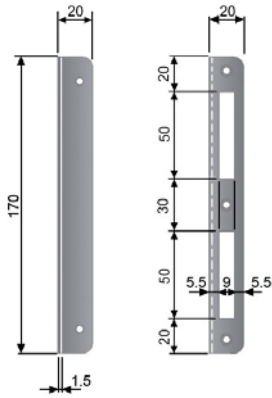


Width 20 mm, radius 10 mm, 8 mm fold

STEEL					
170 mm	Bronze plated	B10070.23.02		25	250
	Enam. brass plated	B10070.23.03		25	250
	Bichromated	B10070.23.04		25	250



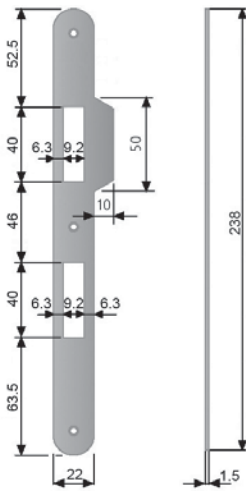
Strikers - Euro 72



Width 20 mm, radius 6 mm, 20 mm fold

STEEL

170 mm	Bronze plated	6	B10070.51.02		25	250
	Enam. brass plated	6	B10070.51.03		25	250
	Bichromated	6	B10070.51.04		25	250



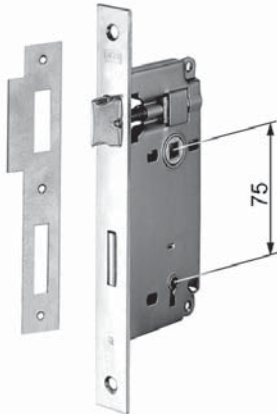
Width 22 mm, round ends

STEEL

238 mm	Enamelled brass		B00590.74.03		50	250
	Nickel plated		B00590.74.06		50	250



Atene - key lock, square ends



75 mm centre - 24 mm forend

STEEL

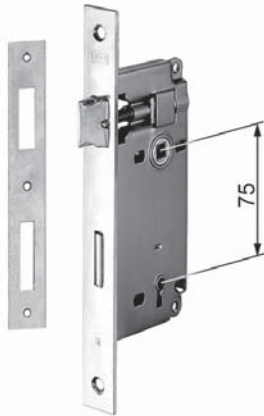
Backset 40	Enam. brass plated	B00575.40.03	50	50
	Nickel plated	B00575.40.06	50	50
	Matt chr. plated	B00575.40.34	50	50
Backset 45	Enam. brass plated	B00575.45.03	50	50
	Nickel plated	B00575.45.06	50	50
	Matt chr. plated	B00575.45.34	50	50

BRASS

Backset 40	Enam. polished	B00577.40.10	📞	50	50
Backset 45	Enam. polished	B00577.45.10	📞	50	50

STAINLESS STEEL

Backset 40	Satin	B04575.40.08	📞	50	50
Backset 45	Satin	B04575.45.08	📞	50	50

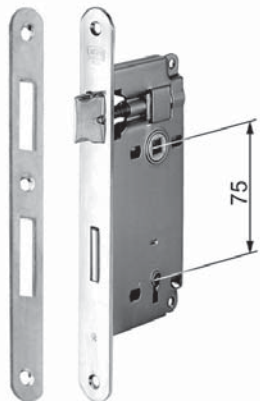


75 mm centre - 24 mm forend striker without lip, reversible

STEEL

Backset 40	Enam. brass plated	B00585.40.03	50	50
	Nichelato	B00585.40.06	50	50
	Matt chr. plated	B00585.40.34	📞	50
Backset 45	Enam. brass plated	B00585.45.03	50	50
	Nickel plated	B00585.45.06	50	50
	Matt chr. plated	B00585.45.34	📞	50

Atene - key lock, round ends



75 mm centre - 24 mm forend

STEEL

Backset 40	Enam. brass plated	B00576.40.03	50	50
	Nickel plated	B00576.40.06	50	50
Backset 45	Enam. brass plated	B00576.45.03	50	50
	Nickel plated	B00576.45.06	50	50
	Matt chr. plated	B00576.45.34	50	50



Folding doors - Duetto



Duetto handle kit, ø48mm Active-Passive, 38-48mm door thickness
BRASS

Bronze plated	B02900.00.02	1	1
Satin	B02900.00.08	1	1
Enam. polished	B02900.00.10	1	1
Antique brass plated	B02900.00.12	1	1
Chromium plated	B02900.00.30	1	1
Satin chr. plated	B02900.00.32	1	1



Duetto handle kit, ø48mm Active-Active, 38-48mm door thickness
BRASS

Bronze plated	B02901.00.02	1	1
Satin	B02901.00.08	1	1
Enam. polished	B02901.00.10	1	1
Antique brass plated	B02901.00.12	1	1
Chromium plated	B02901.00.30	1	1
Satin chr. plated	B02901.00.32	1	1



Duetto handle kit, ø34mm Active-Passive, 38-48mm door thickness
BRASS

Bronze plated	B02902.00.02	1	1
Satin	B02902.00.08	1	1
Enam. polished	B02902.00.10	1	1
Antique brass plated	B02902.00.12	1	1
Chromium plated	B02902.00.30	1	1
Satin chr. plated	B02902.00.32	1	1



Duetto handle kit, ø34mm Active-Active, 38-48mm door thickness
BRASS

Bronze plated	B02903.00.02	1	1
Satin	B02903.00.08	1	1
Enam. polished	B02903.00.10	1	1
Antique brass plated	B02903.00.12	1	1
Chromium plated	B02903.00.30	1	1
Satin chr. plated	B02903.00.32	1	1



Duetto kit: Lock + Upper push rod + Push rod guide

STEEL			
Backset 30	Bronze plated	B01693.30.02	10 10
	Enam. brass plated	B01693.30.03	10 10
	Nickel plated	B01693.30.06	10 10
	Antique brass plated	B01693.30.12	10 10
	Matt brass plated	B01693.30.23	10 10
	Matt chr. plated	B01693.30.34	10 10
Backset 35*	Bronze plated	B01693.35.02	10 10
	Enam. brass plated	B01693.35.03	10 10
	Matt. chr. plated	B01693.35.34	10 10

* supplied along with B00796.00.05 reduced pushrod



Folding doors - Duetto



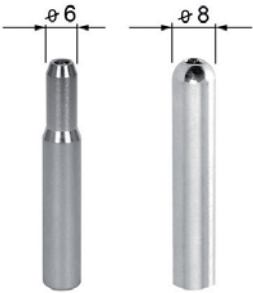
M6 Screw rod for Duetto kit

STEEL				
	1000 mm	B00795.00.05	10	10
	1136 mm	B00795.01.05	10	10



Driving guide with lips

ZAMAK				
	Zinc plated	B00796.02.05	50	500



Duetto reduced push rod

STEEL				
	∅ 6mm	B00796.00.05	10	10
	∅ 8mm	B00796.01.05	10	10



Duetto with long forend and upper shootbolt

STEEL				
Backset 35 mm	Enam. brass plated	B02793.35.03	10	10
	Bichromated	B02793.35.04	10	10
	Matt. chr. plated	B02793.35.34	10	10



Driving guide for shootbolt

ZAMAK				
	Bichromated	A00471.00.01	50	500
	Silver	A40471.00.01	50	500



Scivola Kit Table

ROUND SHAPE HANDLE KITS

KIT SCIVOLA TT	KIT SCIVOLA T										
A	A	1		1		1		1			4
B	B	1	1	1	1	1			2		4
E				1						2	
G				1					2		
M	M	1(*)	1	1					2		4
P		1		1	1	1					4
Q				1		1	1				
S				1	1	1			2		

(*) Lock with key only

OVAL SHAPE HANDLE KITS

KIT SCIVOLA TT	KIT SCIVOLA T													
C	C	1		1+1	1	1	1					2	4	4
D	D	1	1	1+1	1			2				2	4	4
F					1				2			2	4	
H					1					2		2	4	
N	N	1(*)	1		1						2	2	4	4
R				1+1	1	1	1						4	
T				1+1	1			2				2	4	
V				1+1	1	2						2	4	

(*) Lock with key only

All the kits without lock can be supplied without the finger pull (order with 201 end code)



Scivola TT - lock kits - round



Kit A - knob/button, 40-48 mm door thickness

Backset 50	Bronze plated	B02914.50.02	1	1
	Enam. brass plated	B02914.50.03	1	1
	Nickel plated	B02914.50.06	1	1
	Antique brass plated	B02914.50.12	1	1
	Matt brass plated	B02914.50.23	1	1
	Matt chr. plated	B02914.50.34	1	1
	Stainless Steel	B02914.50.36	1	1



Kit B - knob/knob, with key, 38-48 mm door thickness

Backset 50	Bronze plated	B02918.50.02	1	1
	Enam. brass plated	B02918.50.03	1	1
	Nickel plated	B02918.50.06	1	1
	Antique brass plated	B02918.50.12	1	1
	Matt brass plated	B02918.50.23	1	1
	Matt chr. plated	B02918.50.34	1	1



Kit M - key only 38-48 mm door thickness

Backset 50	Bronze plated	B02921.50.02	1	1
	Enam. brass plated	B02921.50.03	1	1
	Nickel plated	B02921.50.06	1	1
	Matt brass plated	B02921.50.23	1	1
	Matt chr. plated	B02921.50.34	1	1



Kit P - knob/knob, no key, 38-48 door tickness

Backset 50	Bronze plated	B02916.50.02	1	1
	Enam. brass plated	B02916.50.03	1	1
	Nickel plated	B02916.50.06	1	1
	Matt brass plated	B02916.50.23	1	1
	Matt chr. plated	B02916.50.34	1	1



Scivola - handles only kits - round



Kit E - round pulls and finger pull - ø 48 mm

Bronze plated	B01920.00.02	1	20
Enam. polished	B01920.00.10	1	20
Brass satin	B01920.00.08	1	20
Antique brass	B01920.00.12	1	20
Chromium plated	B01920.00.30	1	20
Satin chr. plated	B01920.00.32	1	20
Stainless steel	B01920.00.36	1	20



Kit G - round escutcheons and finger pull - ø 48 mm

Bronze plated	B01920.01.02	1	20
Brass satin	B01920.01.08	1	20
Enam. polished	B01920.01.10	1	20
Antique brass	B01920.01.12	1	20
Chromium plated	B01920.01.30	1	20
Satin chr. plated	B01920.01.32	1	20

NB: finish 32 must be coupled with lock finish 34



Kit Q - knob/button + finger pull, 30-38 mm door thickness

Bronze plated	B02120.02.02	1	20
Satin	B02120.02.08	1	20
Enamelled polished	● B02120.02.10	1	20
Chromium plated	● B02120.02.30	1	20
Satin chr. plated	● B02120.02.32	1	20
Stainless Steel	● B02120.02.36	1	20

NB: finish 32 must be coupled with lock finish 34

Kit Q - knob/button + finger pull, 40-48 mm door thickness

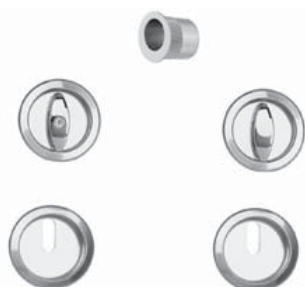
Bronze plated	B01920.02.02	1	20
Brass satin	B01920.02.08	1	20
Enam. polished	B01920.02.10	1	20
Chromium plated	B01920.02.30	1	20
Satin chr. plated	B01920.02.32	1	20
Stainless Steel	B01920.02.36	1	20

NB: finish 32 must be coupled with lock finish 34

Kit Q - knob/button + finger pull, 45-53 mm door thickness

Bronze plated	B02020.02.02	1	1
Satin	B02020.02.08	1	1
Enam. polished	B02020.02.10	1	1
Chromium plated	B02020.02.30	1	1
Satin chr. plated	B02020.02.32	1	1

NB: finish 32 must be coupled with lock finish 34



Kit S - knob/knob, with key, 43-53 mm door thickness

Bronze plated	B02020.03.02	1	1
Satin	B02020.03.08	1	1
Enam. polished	B02020.03.10	1	1
Chromium plated	B02020.03.30	1	1
Satin chr. plated	B02020.03.32	1	1

NB: finish 32 must be coupled with lock finish 34



Scivola - handles only kits - round

Escutcheons kit with cylinder - ø 48 mm



Enamelled polish.	B01920.03.10	1	20
Chromium plat.	B01920.03.30	1	20
Satin chrom. plat.	B01920.03.32	1	20

NB: finish 32 must be coupled with lock finish 34

Duetto handle kit, ø48mm Active-Active, 38-48mm door th



Bronze plated	B02901.00.02	1	1
Satin	B02901.00.08	1	1
Enam. polished	B02901.00.10	1	1
Chromium plated	B02901.00.30	1	1
Satin chr. plated	B02901.00.32	1	1

NB: finish 32 must be coupled with lock finish 34

Duetto handle kit, ø48mm Active-Passive, 38-48mm door



Bronze plated	B02900.00.02	1	1
Satin	B02900.00.08	1	1
Enam. polished	B02900.00.10	1	1
Chromium plated	B02900.00.30	1	1
Satin chr. plated	B02900.00.32	1	1

NB: finish 32 must be coupled with lock finish 34

Round pull, ø 34 mm



Bronze plated	B01910.40.02	10	10
Brass satin	B01910.40.08	10	10
Enam. polished	B01910.40.10	10	10
Chromium plated	B01910.40.30	10	10
Satin chr. plated	B01910.40.32	10	10

NB: the code correspond to only one round pull



Scivola T - Kits with lock - round



Kit A - knob/button, 40-48 mm door thickness

Backset 50	Bronze plated	B03934.50.02	☎	1	1
	Enam. brass plated	B03934.50.03		1	1
	Nickel plated	B03934.50.06		1	1
	Matt brass plated	B03934.50.23		1	1
	Matt chr. plated	B03934.50.34		1	1



Kit B - knob/knob, 38-48 mm door thickness

Backset 50	Bronze plated	B03938.50.02	☎	1	1
	Enam. Brass plated	B03938.50.03		1	1
	Nickel plated	B03938.50.06	☎	1	1
	Matt brass plated	B03938.50.23	☎	1	1
	Matt chr. Plated	B03938.50.34		1	1



Kit M - key only, 38-48 mm door thickness

Backset 50	Bronze plated	B03941.50.02	☎	1	1
	Enam. Brass plated	B03941.50.03		1	1
	Nickel plated	B03941.50.06	☎	1	1
	Matt brass plated	B03941.50.23	☎	1	1
	Matt chr. Plated	B03941.50.34		1	1

Scivola - handles only kits - round steel



Kit E - round pulls and finger pull- ø 48 mm

	Bronze Plated	B01920.10.02		1	20
	Enam. brass plated	B01920.10.03		1	20
	Matt brass plated	B01920.10.23	☎	1	20
	Cromium plated	B01920.10.30	☎	1	20
	Satin chr. plated	B01920.10.32		1	20

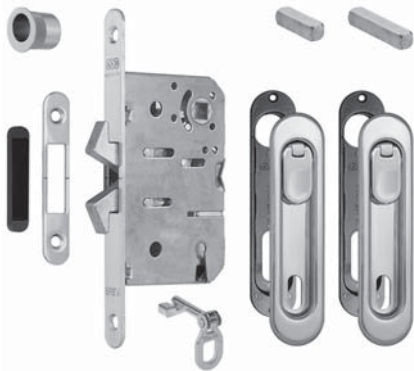


Scivola TT - lock kits - oval



Kit C - pendant/button, 38-47 mm door thickness

Backset 50	Bronze plated	B02923.50.02	1	1
	Enam. brass plated	B02923.50.03	1	1
	Nickel plated	B02923.50.06	1	1
	Antique brass plated	B02923.50.12	1	1
	Matt brass plated	B02923.50.23	1	1
	Matt chr. plated	B02923.50.34	1	1



Kit D - pendant/pendant with key, 38-47 mm door thickness

Backset 50	Bronze plated	B02925.50.02	1	1
	Enam. brass plated	B02925.50.03	1	1
	Nickel plated	B02925.50.06	1	1
	Antique brass plated	B02925.50.12	📞	1
	Matt brass plated	B02925.50.23	📞	1
	Matt chr. plated	B02925.50.34	1	1



Kit N - key only with oval escutcheons, 38-47 door thickness

Backset 50	Bronze plated	B02928.50.02	1	1
	Enam. brass plated	B02928.50.03	1	1
	Nickel plated	B02928.50.06	1	1
	Matt brass plated	B02928.50.23	📞	1
	Matt chr. plated	B02928.50.34	1	1



Scivola T - Kits with lock - oval



Kit C - pendant/button, 38-47 mm door thickness

Backset 50	Bronze plated	B03923.50.02	☎	1	1
	Enam. brass plated	B03923.50.03		1	1
	Nickel plated	B03923.50.06		1	1
	Matt brass plated	B03923.50.23	☎	1	1
	Matt chr. Plated	B03923.50.34		1	1



Kit D - pendant/pendant, with key, 38-47 mm door thickness

Backset 50	Bronze plated	B03925.50.02	☎	1	1
	Enam. Brass plated	B03925.50.03		1	1
	Nickel plated	B03925.50.06		1	1
	Matt brass plated	B03925.50.23	☎	1	1
	Matt chr. Plated	B03925.50.34		1	1



Kit N - key only, 38-47 mm door thickness

Backset 50	Bronze plated	B03928.50.02	☎	1	1
	Enam. Brass plated	B03928.50.03		1	1
	Nickel plated	B03928.50.06		1	1
	Matt brass plated	B03928.50.23	☎	1	1
	Matt chr. Plated	B03928.50.34		1	1



Scivola - handles only kits - oval

Kit F - oval and finger pulls



Bronze plated	B01927.00.02	1	20
Brass satin	B01927.00.08	1	20
Enam. polished	B01927.00.10	1	20
Antique brass	B01927.00.12	1	20
Chromium plated	B01927.00.30	1	20
Satin chr. plated	B01927.00.32	1	20

Kit H - oval escutcheons and finger pull



Bronze plated	B01927.01.02	1	20
Brass satin	B01927.01.08	☎ 1	20
Enam. polished	B01927.01.10	1	20
Antique brass	B01927.01.12	1	20
Chromium plated	B01927.01.30	1	20
Satin chr. plated	B01927.01.32	1	20

NB: finish 32 must be coupled with lock finish 34

Kit R - pendant/button, 38-47 mm door thickness



Bronze plated	B01927.02.02	☎ 1	1
Brass satin	B01927.02.08	☎ 1	1
Enam. polished	B01927.02.10	1	1
Chromium plated	B01927.02.30	☎ 1	1
Satin chr. plated	B01927.02.32	1	1

NB: finish 32 must be coupled with lock finish 34



Scivola - handles only kits - oval



Kit T - pendant/pendant with key, 38-47 mm door thickness

Bronze plated	B01927.03.02		1	1
Satin	B01927.03.08		1	1
Enam. polished	B01927.03.10		1	1
Chromium plated	B01927.03.30		1	1
Satin chr. plated	B01927.03.32		1	1

NB: finish 32 must be coupled with lock finish 34



Kit V - pendant/pendant, 38-47 mm door thickness

Bronze plated	B01927.04.02		1	1
Enam. polished	B01927.04.10		1	1
Satin chr. plated	B01927.04.32		1	1

NB: finish 32 must be coupled with lock finish 34

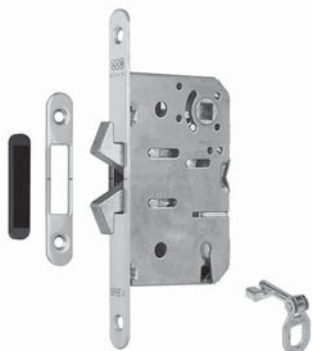


Sliding doors, Scivola - locks only

Scivola TT, 16 mm forend, hub and key

STEEL

Backset 50	Bronze plated	B06771.50.02	10	10
	Enam. brass plated	B06771.50.03	10	10
	Nickel plated	B06771.50.06	10	10
	Antique brass plated	B06771.50.12	10	10
	Matt brass plated	B06771.50.23	10	10
	Matt chr. plated	B06771.50.34	10	10



Scivola TT, 16 mm forend, key only

STEEL

Backset 50	Bronze plated	B08771.50.02	10	10
	Enam. brass plated	B08771.50.03	10	10
	Nickel plated	B08771.50.06	10	10
	Antique brass plated	B08771.50.12	10	10
	Matt brass plated	B08771.50.23	10	10
	Matt chr. plated	B08771.50.34	10	10



Scivola T, 16 mm forend, hub and key

STEEL

Backset 50	Bronze plated	B08901.50.02	☎	10	10
	Enam. Brass plated	B08901.50.03		10	10
	Nickel plated	B08901.50.06		10	10
	Antique brass plated	● B08901.50.12		10	10
	Matt brass plated	B08901.50.23		10	10
	Matt chr. Plated	B08901.50.34		10	10



Scivola T, 16 mm forend, key only

STEEL

Backset 50	Bronze plated	B08905.50.02	☎	10	10
	Enam. brass plated	B08905.50.03		10	10
	Nickel plated	B08905.50.06		10	10
	Antique brass plated	● B08905.50.12		10	10
	Matt brass plated	B08905.50.23		10	10
	Matt chr. plated	B08905.50.34		10	10





Sliding doors, Scivola - locks only



Scivola T with 18 mm Mediana forend hub and key

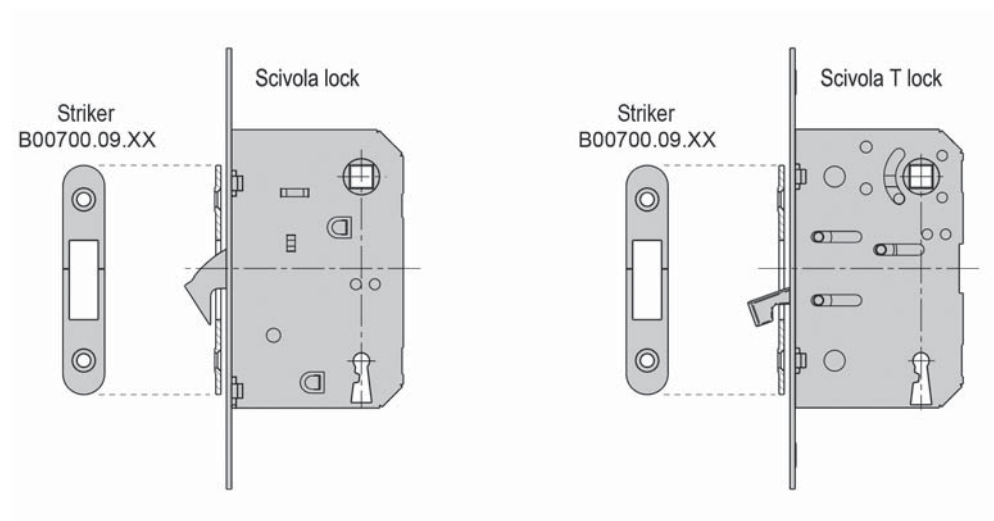
STEEL				
Backset 50	Bronze plated	B08902.50.02	☎	25 25
	Enam. Brass plated	B08902.50.03	☎	25 25
	Nickel plated	B08902.50.06	☎	25 25
	Matt brass plated	B08902.50.23	☎	25 25
	Matt chr. Plated	B08902.50.34	☎	25 25



Scivola T key only with 18 mm Mediana forend

STEEL				
Backset 50	Bronze plated	B08906.50.02	☎	25 25
	Enam. Brass plated	B08906.50.03	☎	25 25
	Nickel plated	B08906.50.06	☎	25 25
	Matt brass plated	B08906.50.23	☎	25 25
	Matt chr. Plated	B08906.50.34	☎	25 25

Interchangeability lock Scivola with Scivola T





Sliding doors mod. 701

Round ends, key lock - 22 mm forend



STEEL

Backset 30	Bronze plated	B00701.30.02	1	25
	Enam. brass plated	B00701.30.03	1	25
Backset 35	Bronze plated	B00701.35.02	1	25
	Enam. brass plated	B00701.35.03	1	25
	Matt chr. plated	B00701.35.34	1	25
Backset 40	Bronze plated	B00701.40.02	1	25
	Enam. brass plated	B00701.40.03	1	25
	Matt chr. plated	B00701.40.34	1	25
Backset 45	Bronze plated	B00701.45.02	1	25
	Enam. brass plated	B00701.45.03	1	25
Backset 50	Bronze plated	B00701.50.02	1	25
	Enam. brass plated	B00701.50.03	1	25
	Nickel plated	B00701.50.06	1	25
	Matt chr. plated	B00701.50.34	1	25
Backset 60	Bronze plated	B00701.60.02	1	25
	Enam. brass plated	B00701.60.03	1	25
	Matt chr. plated	B00701.60.34	1	25

Round ends, bathroom lock - 22 mm forend



STEEL

Backset 30	Bronze plated	B00703.30.02	1	25
	Enam. brass plated	B00703.30.03	1	25
Backset 35	Bronze plated	B00703.35.02	1	25
	Enam. brass plated	B00703.35.03	1	25
	Matt chr. plated	B00703.35.34	1	25
Backset 40	Bronze plated	B00703.40.02	1	25
	Enam. brass plated	B00703.40.03	1	25
	Matt chr. plated	B00703.40.34	1	25
Backset 45	Bronze plated	B00703.45.02	1	25
	Enam. brass plated	B00703.45.03	1	25
Backset 50	Bronze plated	B00703.50.02	1	25
	Enam. brass plated	B00703.50.03	1	25
	Nickel plated	B00703.50.06	1	25
	Matt chr. plated	B00703.50.34	1	25
Backset 60	Bronze plated	B00703.60.02	1	25
	Enam. brass plated	B00703.60.03	1	25
	Matt chr. plated	B00703.60.34	1	25

Round ends, cylinder lock - 22 mm forend



STEEL

Backset 30	Bronze plated	B00702.30.02	1	25
	Enam. brass plated	B00702.30.03	1	25
Backset 35	Bronze plated	B00702.35.02	1	25
	Enam. brass plated	B00702.35.03	1	25
Backset 40	Bronze plated	B00702.40.02	1	25
	Enam. brass plated	B00702.40.03	1	25
Backset 45	Bronze plated	B00702.45.02	1	25
	Enam. brass plated	B00702.45.03	1	25
Backset 50	Bronze plated	B00702.50.02	1	25
	Enam. brass plated	B00702.50.03	1	25
	Nickel plated	B00702.50.06	1	25
	Matt chr. plated	B00702.50.34	1	25
Backset 60	Bronze plated	B00702.60.02	1	25
	Enam. brass plated	B00702.60.03	1	25
	Matt chr. plated	● B00702.60.34	1	25



Sliding doors mod. 701



Square ends, key lock - 22 mm forend

STEEL				
Backset 30	Bronze plated	B00704.30.02	1	25
	Enam. brass plated	B00704.30.03	1	25
Backset 35	Bronze plated	B00704.35.02	1	25
	Enam. brass plated	B00704.35.03	1	25
Backset 40	Bronze plated	B00704.40.02	1	25
	Enam. brass plated	B00704.40.03	1	25
Backset 45	Bronze plated	B00704.45.02	1	25
	Enam. brass plated	B00704.45.03	1	25
Backset 50	Bronze plated	B00704.50.02	1	25
	Enam. brass plated	B00704.50.03	1	25
	Nickel plated	B00704.50.06	1	25
Backset 60	Bronze plated	B00704.60.02	1	25
	Enam. brass plated	B00704.60.03	1	25



Square ends, bathroom doors - 22 mm faceplate

STEEL				
Backset 30	Bronze plated	B00706.30.02	1	25
	Enam. brass plated	B00706.30.03	1	25
Backset 35	Bronze plated	B00706.35.02	1	25
	Enam. brass plated	B00706.35.03	1	25
Backset 40	Bronze plated	B00706.40.02	1	25
	Enam. brass plated	B00706.40.03	1	25
	Nickel plated	B00706.40.06	1	25
Backset 45	Bronze plated	B00706.45.02	1	25
	Enam. brass plated	B00706.45.03	1	25
Backset 50	Bronze plated	B00706.50.02	1	25
	Enam. brass plated	B00706.50.03	1	25
	Nickel plated	B00706.50.06	1	25
Backset 60	Bronze plated	B00706.60.02	1	25
	Enam. brass plated	B00706.60.03	1	25
	Nickel plated	B00706.60.06	1	25



Square ends, cylinder lock - 22 mm forend

STEEL				
Backset 30	Bronze plated	B00705.30.02	1	25
	Enam. brass plated	B00705.30.03	1	25
	Nickel plated	B00705.30.06	1	25
Backset 35	Bronze plated	B00705.35.02	1	25
	Enam. brass plated	B00705.35.03	1	25
Backset 40	Bronze plated	B00705.40.02	1	25
	Enam. brass plated	B00705.40.03	1	25
	Nickel plated	B00705.40.06	1	25
Backset 45	Bronze plated	B00705.45.02	1	25
	Enam. brass plated	B00705.45.03	1	25
	Nickel plated	B00705.45.06	1	25
Backset 50	Bronze plated	B00705.50.02	1	25
	Enam. brass plated	B00705.50.03	1	25
	Nickel plated	B00705.50.06	1	25
Backset 60	Bronze plated	B00705.60.02	1	25
	Enam. brass plated	B00705.60.03	1	25
	Nickel plated	B00705.60.06	1	25



With hook - for metal profiles

With retracting hook, forend 25 mm, + C60001.22.22 cylinder

STEEL				
Backset 60	Bichromated	B00858.60.04	1	25



Heavy duty with pivoting hook, forend 25 + C60001.22.22 cylinder

STEEL				
Backset 60	Bichromated	B00859.60.04	1	25



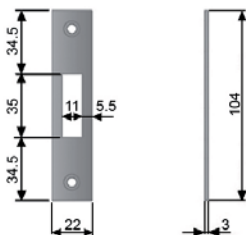
Light duty with pivoting hook, forend 25 mm

STEEL				
Backset 30	Bichromated	B00910.30.04	1	25
Backset 35	Bichromated	B00910.35.04	1	25
Backset 40	Bichromated	B00910.40.04	1	25
Backset 45	Bichromated	B00910.45.04	1	25
Backset 50	Bichromated	B00910.50.04	1	25
Backset 60	Bichromated	B00910.60.04	1	25



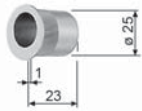
Width 22 mm, square ends, 11 mm hole

STEEL				
Bichromated	104 mm	B00700.06.04	25	250



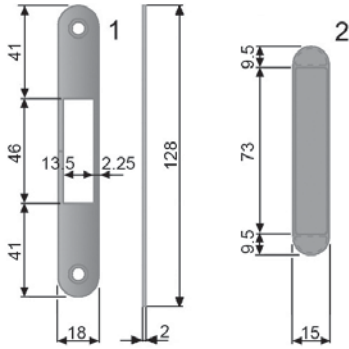


Strikers - Sliding doors



Finger pull
BRASS

Bronze plated	B01910.01.02	10	10
Satin	B01910.01.08	10	10
Enam. polished	B01910.01.10	10	10
Chromium plated	B01910.01.30	10	10
Satin chr. plated	B01910.01.32	10	10



Scivola TT - Width 18 mm, round ends

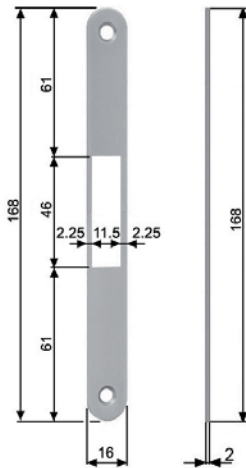
1 STEEL

128 mm	Bronze plated	B00700.17.02	25	250
	Enam. brass plated	B00700.17.03	25	250
	Nickel plated	B00700.17.06	25	250
	Antique brass	B00700.17.12	25	250
	Matt brass plated	B00700.17.23	25	250
	Matt chr. plated	B00700.17.34	25	250

Scivola TT - Cover tray

2 ABS

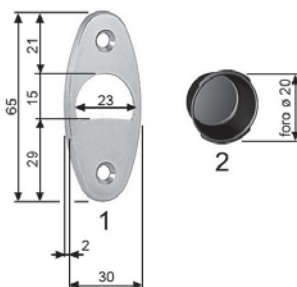
Black	B00700.20.93	25	125
-------	--------------	----	-----



Scivola TT, 16 mm forend, for inactive sash

STEEL

168 mm	Bronze plated	B00700.19.02	10	10
	Enam. brass plated	B00700.19.03	10	10
	Nickel plated	B00700.19.06	10	10
	Antique brass	B00700.19.12	10	10
	Matt brass plated	B00700.19.23	10	10
	Matt chr. plated	B00700.19.34	10	10



Scivola T - Width 30 mm

1 STEEL

65 mm	Bronze plated	B00700.32.02	50	500
	Enam. Brass plated	B00700.32.03	50	500
	Nickel plated	B00700.32.06	50	500
	Matt brass plated	B00700.32.23	50	500
	Matt chr. Plated	B00700.32.34	50	500

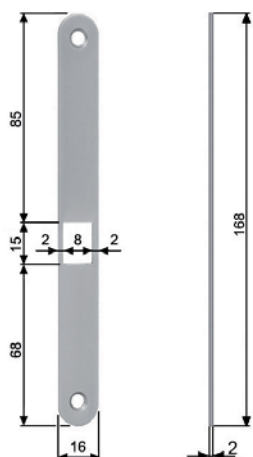
Scivola T - Cover tray Ø 25 mm

2 NYLON

Black	B00700.33.93	50	50
-------	--------------	----	----

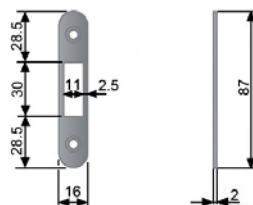


Strikers - Sliding doors



Scivola TT, 16 mm forend, for inactive sash

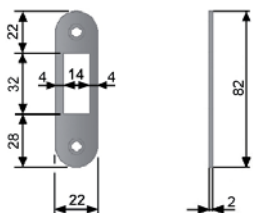
STEEL					
168 mm	Bronze plated	B00700.34.02		10	10
	Enam. brass plated	B00700.34.03		10	10
	Nickel plated	B00700.34.06		10	10
	Matt brass plated	B00700.34.23		10	10
	Matt chr. Plated	B00700.34.34		10	10



Scivola - Width 16 mm, round ends

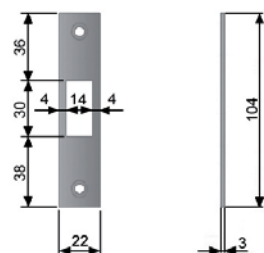
STEEL					
87 mm	Bronze plated	B00700.09.02		25	250
	Enam. brass plated	B00700.09.03		25	250
	Matt. chr. plated	B00700.09.34		25	250

NB: to use with Scivola T in case of impossibility to use the code B0700.32.xx



Mod. 701 - Width 22 mm, round ends

STEEL					
82 mm	Bronze plated	B00700.07.02		25	250
	Enam. brass plated	B00700.07.03		25	250
	Nickel plated	B00700.07.06		25	250
	Matt chr. plated	B00700.07.34		25	250



Mod. 701 - Width 22 mm, square ends

STEEL					
104 mm	Bronze plated	B00700.03.02		25	250
	Enam. brass plated	B00700.03.03		25	250
	Nickel plated	B00700.03.06		25	250



Plastic plate for Scivola oval handles

B01910.22.93		20	100
--------------	--	----	-----



Strikers - Sliding doors



Dummy plate for Scivola pocket - 16 mm forend

STEEL				
168 mm	Bronze plated	B00502.17.02	10	10
	Enam. brass plated	B00502.17.03	10	10
	Nickel plated	B00502.17.06	10	10
	Matt chr. plated	B00502.17.34	10	10

Dummy plate for Mediana pocket - 18 mm forend

STEEL				
196 mm	Bronze plated	B00502.18.02	☎ 10	150
	Enam. brass plated	B00502.18.03	10	150
	Nickel Plated	B00502.18.06	10	150
	Matt chr. plated	B00502.18.34	10	150



ø 34 Scivola ring - 2mm thickness

Bronze plated	B00700.31.02	☎ 50	50
Enam. brass plated	B00700.31.03	☎ 50	50
Matt brass plated	B00700.31.23	☎ 50	50
Satin Steel	B00700.31.30	☎ 50	50
Matt chr. plated	B00700.31.34	☎ 50	50

ø 48 Scivola ring - 2mm thickness

Bronze plated	B00700.30.02	☎ 20	20
Enam. brass plated	B00700.30.03	20	20
Matt brass plated	B00700.30.23	☎ 20	20
Satin Steel	B00700.30.30	☎ 20	20
Matt chr. plated	B00700.30.34	20	20



Accessories



Key for swinging doors

ZAMAK				
Differ 1	Bronze plated	B00502.01.02	25	300
	Enam. brass plated	B00502.01.03	25	300
	Nickel plated	B00502.01.06	25	300
Differ 2	Bronze plated	B00502.02.02	25	300
	Enam. brass plated	B00502.02.03	25	300
	Nickel plated	B00502.02.06	25	300
Differ 3	Bronze plated	B00502.03.02	25	300
	Enam. brass plated	B00502.03.03	25	300
	Nickel plated	B00502.03.06	25	300
Differ 4	Bronze plated	B00502.04.02	25	300
	Enam. brass plated	B00502.04.03	25	300
	Nickel plated	B00502.04.06	25	300
Differ 5	Bronze plated	B00502.05.02	25	300
	Enam. brass plated	B00502.05.03	25	300
	Nickel plated	B00502.05.06	25	300
Differ 6	Bronze plated	B00502.06.02	25	300
	Enam. brass plated	B00502.06.03	25	300
	Nickel plated	B00502.06.06	25	300
Differ 7	Bronze plated	B00502.07.02	25	300
	Enam. brass plated	B00502.07.03	25	300
	Nickel plated	B00502.07.06	25	300
Differ 8	Bronze plated	B00502.08.02	25	300
	Enam. brass plated	B00502.08.03	25	300
	Nickel plated	B00502.08.06	25	300
Differ 9	Bronze plated	B00502.09.02	25	300
	Enam. brass plated	B00502.09.03	25	300
	Nickel plated	B00502.09.06	25	300
Differ 10	Bronze plated	B00502.10.02	25	300
	Enam. brass plated	B00502.10.03	25	300
	Nickel plated	B00502.10.06	25	300
Differ 11	Bronze plated	B00502.11.02	25	300
	Enam. brass plated	B00502.11.03	25	300
	Nickel plated	B00502.11.06	25	300
Differ 12	Bronze plated	B00502.12.02	25	300
	Enam. brass plated	B00502.12.03	25	300
	Nickel plated	B00502.12.06	25	300
25 mixed Keys 6 differs	Bronze plated	B00502.21.02	1	1
	Enam. brass plated	B00502.21.03	1	1
	Nickel plated	B00502.21.06	1	1



Skeleton key (passe-partout) for swinging doors

ZAMAK				
	Bronze plated	B00503.00.02	25	300
	Enam. brass plated	B00503.00.03	25	300
	Nickel plated	B00503.00.06	25	300



Key for Scivola

ZAMAK				
Differ 7	Bronze plated	B00502.13.02	25	300
	Enam. brass plated	B00502.13.03	25	300
	Nickel plated	B00502.13.06	25	300



Key for Mod. 701

ZAMAK				
Differ 7	Bronze plated	B00502.16.02	25	300
	Enam. brass plated	B00502.16.03	25	300
	Nickel plated	B00502.16.06	25	300

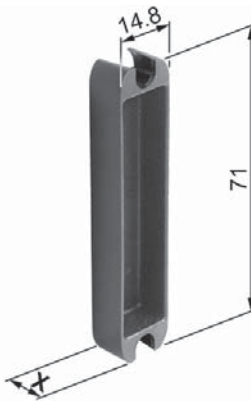


Accessories



Covering tray for striker - 38mm hole

NYLON			
Depth 10 mm	B01060.10.01	50	500
Depth 20 mm	B01060.20.01	50	250



Covering tray for striker - 57mm hole

NYLON			
Depth 10 mm	B01060.10.02	50	500
Depth 20 mm	B01060.20.02	50	250



key holder

NYLON			
Red rh	B00502.14.92	500	2000
Blue lh	B00502.14.95	500	2000



Hub/spindle adapter from 8 mm to 6 mm

STEEL			
	B00502.15.01	200	2000

Hub/spindle adapter from 8 mm to 7 mm

STEEL			
	B00502.15.03	200	2000

Hub/spindle adapter from 9 mm to 8 mm

STEEL			
	B00502.15.02	200	2000



Opera Hotel SL - panic locks (both sides)



With anti-thrust latch, 22 mm forend

Backset 50	Enam. brass plated	rh	B50101.50.03	1	25
	Enam. brass plated	lh	B50102.50.03	1	25
	Nickel plated	rh	B50101.50.06	1	25
	Nickel plated	lh	B50102.50.06	1	25
	Matt brass plated	rh	B50101.50.23	1	25
	Matt brass plated	lh	B50102.50.23	1	25
	Matt chr. plated	rh	B50101.50.34	1	25
	Matt chr. plated	lh	B50102.50.34	1	25
Backset 60	Enam. brass plated	rh	B50101.60.03	1	25
	Enam. brass plated	lh	B50102.60.03	1	25
	Nickel plated	rh	B50101.60.06	1	25
	Nickel plated	lh	B50102.60.06	1	25
	Matt brass plated	rh	B50101.60.23	1	25
	Matt brass plated	lh	B50102.60.23	1	25
	Matt chr. plated	rh	B50101.60.34	1	25
	Matt chr. plated	lh	B50102.60.34	1	25
Backset 70	Enam. brass plated	rh	B50101.70.03	1	25
	Enam. brass plated	lh	B50102.70.03	1	25
	Nickel plated	rh	B50101.70.06	1	25
	Nickel plated	lh	B50102.70.06	1	25
	Matt brass plated	rh	B50101.70.23	1	25
	Matt brass plated	lh	B50102.70.23	1	25
	Matt chr. plated	rh	B50101.70.34	1	25
	Matt chr. plated	lh	B50102.70.34	1	25

To be used with AGB Opera cylinders only

Opera Hotel SL locks are compatibles with special AGB strikers for Opera Hotel SL and the electric strikers on the next pages.

To use with a knob or external fixed handle

With anti-thrust latch, 18 mm forend

Backset 50	Enam. brass plated	rh	B50001.50.03	1	25
	Enam. brass plated	lh	B50002.50.03	1	25
	Matt chr. plated	rh	B50001.50.34	1	25
	Matt chr. plated	lh	B50002.50.34	1	25
Backset 60	Enam. brass plated	rh	B50001.60.03	1	25
	Enam. brass plated	lh	B50002.60.03	1	25
	Matt chr. plated	rh	B50001.60.34	1	25
	Matt chr. plated	lh	B50002.60.34	1	25
Backset 70	Enam. brass plated	rh	B50001.70.03	1	25
	Enam. brass plated	lh	B50002.70.03	1	25
	Matt chr. plated	rh	B50001.70.34	1	25
	Matt chr. plated	lh	B50002.70.34	1	25

To be used with AGB Opera cylinders only

Opera Hotel SL locks are compatibles with special AGB strikers for Opera Hotel SL and the electric strikers on the next pages.

To use with a knob or external fixed handle



Without anti-thrust latch, 22 mm forend

Backset 50	Enam. brass plated	rh	B50501.50.03	1	25
	Enam. brass plated	lh	B50502.50.03	1	25
	Matt chr. plated	rh	B50501.50.34	1	25
	Matt chr. plated	lh	B50502.50.34	1	25
Backset 60	Enam. brass plated	rh	B50501.60.03	1	25
	Enam. brass plated	lh	B50502.60.03	1	25
	Matt chr. plated	rh	B50501.60.34	1	25
	Matt chr. plated	lh	B50502.60.34	1	25
Backset 70	Enam. brass plated	rh	B50501.70.03	1	25
	Enam. brass plated	lh	B50502.70.03	1	25
	Matt chr. plated	rh	B50501.70.34	1	25
	Matt chr. plated	lh	B50502.70.34	1	25

To be used with AGB Opera cylinders only

Opera Hotel SL locks are compatibles with special AGB strikers for Opera Hotel SL and the electric strikers on the next pages.

To use with a knob or external fixed handle



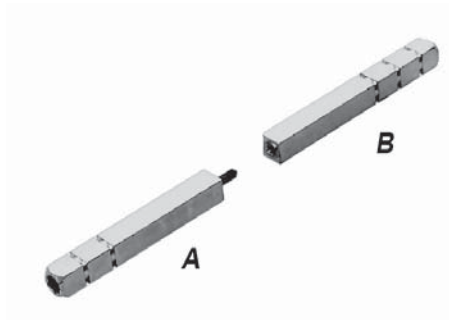
Opera DQ SL - panic locks (one side) with split-spindle



22 mm forend

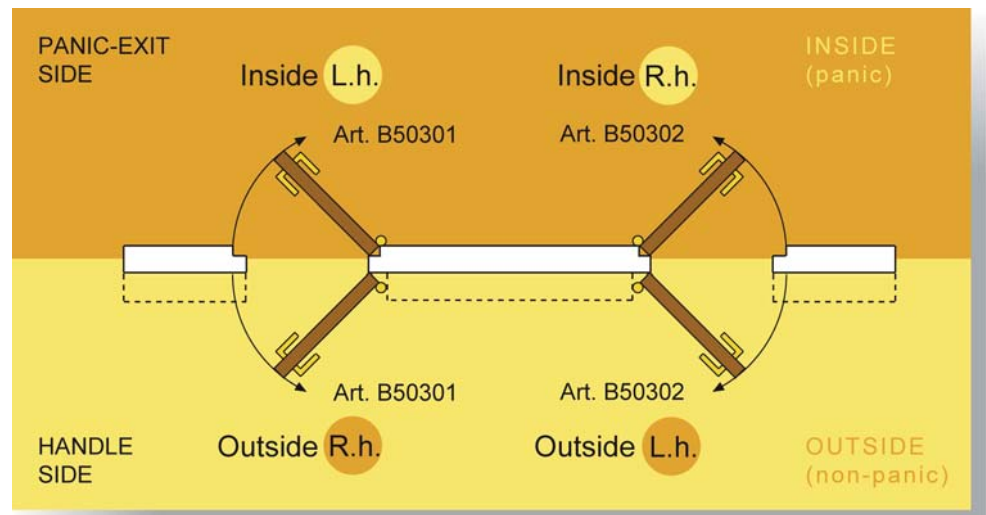
Backset 50	Enam. brass plated	in. lh/out. rh	B50301.50.03	1	25
	Enam. brass plated	in. rh/out. lh	B50302.50.03	1	25
	Nickel plated	in. lh/out. rh	B50301.50.06	1	25
	Nickel plated	in. rh/out. lh	B50302.50.06	1	25
	Matt chr. plated	in. lh/out. rh	B50301.50.34	1	25
	Matt chr. plated	in. rh/out. lh	B50302.50.34	1	25
Backset 60	Enam. brass plated	in. lh/out. rh	B50301.60.03	1	25
	Enam. brass plated	in. rh/out. lh	B50302.60.03	1	25
	Nickel plated	in. lh/out. rh	B50301.60.06	1	25
	Nickel plated	in. rh/out. lh	B50302.60.06	1	25
	Matt chr. plated	in. lh/out. rh	B50301.60.34	1	25
	Matt chr. plated	in. rh/out. lh	B50302.60.34	1	25
Backset 70	Enam. brass plated	in. lh/out. rh	B50301.70.03	1	25
	Enam. brass plated	in. rh/out. lh	B50302.70.03	1	25
	Nickel plated	in. lh/out. rh	B50301.70.06	1	25
	Nickel plated	in. rh/out. lh	B50302.70.06	1	25
	Matt chr. plated	in. lh/out. rh	B50301.70.34	1	25
	Matt chr. plated	in. rh/out. lh	B50302.70.34	1	25

Order split-spindle and Opera DQ cylinders (with full rotation) separately
 split-spindle allows use external handle on the non-panic side



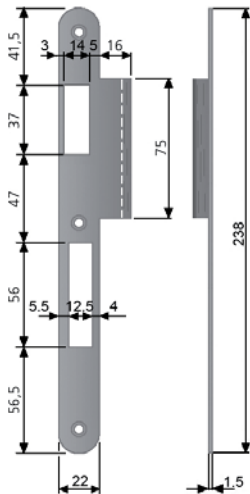
Split-spindle for Opera DQ SL

A=47 B=57	B59901.47.57	25	300
A=62 B=72	B59901.62.72	25	400



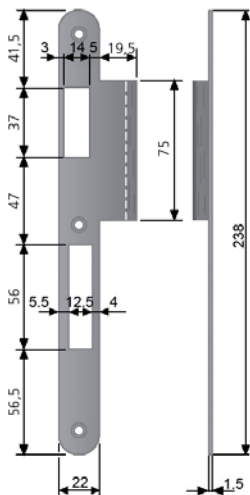


Strikers for Opera Hotel SL



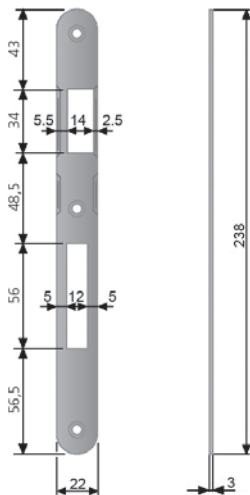
Width 22 mm, with curved lip, for flush doors 38-45 mm

238 mm	Enam. brass plated rh	B59903.01.03	1	25
	Enam. brass plated lh	B59903.02.03	1	25
	Nickel plated rh	B59903.01.06	1	25
	Nickel plated lh	B59903.02.06	1	25
	Matt brass plated rh	B59903.01.23	1	25
	Matt brass plated lh	B59903.02.23	1	25
	Matt chr. plated rh	B59903.01.34	1	25
	Matt chr. plated lh	B59903.02.34	1	25



Width 22 mm, with curved lip, for flush doors 46-52 mm

238 mm	Enam. brass plated rh	B59904.01.03	1	25
	Enam. brass plated lh	B59904.02.03	1	25
	Nickel plated rh	B59904.01.06	1	25
	Nickel plated lh	B59904.02.06	1	25
	Matt brass plated rh	B59904.01.23	1	25
	Matt brass plated lh	B59904.02.23	1	25
	Matt chr. plated rh	B59904.01.34	1	25
	Matt chr. plated lh	B59904.02.34	1	25



Width 22 mm, for rebated doors

238 mm	Enam. brass plated rh	B01800.02.03	1	25
	Enam. brass plated lh	B01800.03.03	1	25
	Nickel plated rh	B01800.02.06	1	25
	Nickel plated lh	B01800.03.06	1	25
	Matt brass plated rh	B01800.02.23	1	25
	Matt brass plated lh	B01800.03.23	1	25
	Matt chr. plated rh	B01800.02.34	1	25
	Matt chr. plated lh	B01800.03.34	1	25



Half wing electric strikers for Opera and Sicurezza SL



Width 22 mm, with repeater

STEEL - WITH MANUAL RELEASE LEVER 12V AC 1100 mA/DC 1560 mA					
Enam. brass plated	238 mm	rh	B02601.04.03	1	1
	238 mm	lh	B02602.04.03	1	1
Nickel plated	238 mm	rh	B02601.04.06	1	1
	238 mm	lh	B02602.04.06	1	1
Matt chr. plated	238 mm	rh	B02601.04.34	1	1
	238 mm	lh	B02602.04.34	1	1
STEEL - WITHOUT MANUAL RELEASE LEVER 12V AC 1100 mA/ DC 1560 mA					
Enam. brass plated	238 mm	rh	B02601.03.03	1	1
	238 mm	lh	B02602.03.03	1	1
Nickel plated	238 mm	rh	B02601.03.06	1	1
	238 mm	lh	B02602.03.06	1	1
Matt chr. plated	238 mm	rh	B02601.03.34	1	1
	238 mm	lh	B02602.03.34	1	1

Width 22 mm, without repeater

STEEL - WITH MANUAL RELEASE LEVER 12V AC 1100 mA/DC 1560 mA					
Enam. brass plated	238 mm	rh	B02601.02.03	1	1
	238 mm	lh	B02602.02.03	1	1
Nickel plated	238 mm	rh	B02601.02.06	1	1
	238 mm	lh	B02602.02.06	1	1
Matt chr. plated	238 mm	rh	B02601.02.34	1	1
	238 mm	lh	B02602.02.34	1	1
STEEL - WITHOUT MANUAL RELEASE LEVER 12V AC 1100 mA/DC 1560 mA					
Enam. brass plated	238 mm	rh	B02601.01.03	1	1
	238 mm	lh	B02602.01.03	1	1
Nickel plated	238 mm	rh	B02601.01.06	1	1
	238 mm	lh	B02602.01.06	1	1
Matt chr. plated	238 mm	rh	B02601.01.34	1	1
	238 mm	lh	B02602.01.34	1	1
STEEL - WITHOUT MANUAL RELEASE LEVER 12V AC 440 mA/DC 650 mA					
Enam. brass plated	238 mm	rh	B02601.10.03	1	1
	238 mm	lh	B02602.10.03	1	1
Nickel plated	238 mm	rh	B02601.10.06	1	1
	238 mm	lh	B02602.10.06	1	1
Matt chr. plated	238 mm	rh	B02601.10.34	1	1
	238 mm	lh	B02602.10.34	1	1
STEEL - WITHOUT MANUAL RELEASE LEVER 12V AC 130 mA/DC 200 mA					
Enam. brass plated	238 mm	rh	B02601.05.03	1	1
	238 mm	lh	B02602.05.03	1	1
Nickel plated	238 mm	rh	B02601.05.06	1	1
	238 mm	lh	B02602.05.06	1	1
Matt chr. plated	238 mm	rh	B02601.05.34	1	1
	238 mm	lh	B02602.05.34	1	1
STEEL - WITHOUT MANUAL RELEASE LEVER 12V DC - 200 mA with DIODE					
Enam. brass plated	238 mm	rh	B02601.06.03	1	1
	238 mm	lh	B02602.06.03	1	1
Nickel plated	238 mm	rh	B02601.06.06	1	1
	238 mm	lh	B02602.06.06	1	1
Matt chr. plated	238 mm	rh	B02601.06.34	1	1
	238 mm	lh	B02602.06.34	1	1
STEEL - WITHOUT MANUAL RELEASE LEVER 24V AC 70 mA/DC 105 mA					
Enam. brass plated	238 mm	rh	B02601.08.03	1	1
	238 mm	lh	B02602.08.03	1	1
Nickel plated	238 mm	rh	B02601.08.06	1	1
	238 mm	lh	B02602.08.06	1	1
Matt chr. plated	238 mm	rh	B02601.08.34	1	1
	238 mm	lh	B02602.08.34	1	1



Half wing electric strikers for Opera and Sicurezza SL



Width 22 mm, without electric device

STEEL

Enam. brass plated	238 mm	rh r. 8 mm	B02800.01.03	1	1
	238 mm	lh r. 8 mm	B02801.01.03	1	1
Bichromated	238 mm	rh r. 8 mm	B02800.01.04	1	1
	238 mm	lh r. 8 mm	B02801.01.04	1	1
Nickel plated	238 mm	rh r. 8 mm	B02800.01.06	1	1
	238 mm	lh r. 8 mm	B02801.01.06	1	1
Matt chr. plated	238 mm	rh r. 8 mm	B02800.01.34	1	1
	238 mm	lh r. 8 mm	B02801.01.34	1	1

To be used with 16 mm width electric devices only



Replacing insert for strikers

ADJUSTABLE KIT

Nickel plated	B02800.00.06	1	10
---------------	--------------	---	----

Electric devices table

	Low absorption			Normal absorption	
	B0260X.05	B0260X.06	B0260X.08	B0260X.01 B0260X.02 B0260X.03 B0260X.04	B0260X.10
Tension	12V+/-1V	12V ±1V	24V	12V	12V
Nominal resistance	60 Ω	58 Ω	235 Ω	7,7 Ω	17 Ω
DC absorption (stabilized)	200 mA	200 mA	105 mA	1560 mA	650 mA
AC absorption	130 mA	-	70 mA	1100 mA	440 mA
Max latch preloading - DC (stabilized)	10N	10N	10N	30N	18N
Max latch preloading - AC	80N	-	80N	120N	100N

NB: electric spares table in Electric devices section



Half wing electric strikers for Opera, telescopic coverplate & Sicurezza SL



Width 22 mm, with repeater

STEEL - WITH MANUAL RELEASE LEVER 12V AC 1100 mA/ DC 1560 mA					
Enam. brass plated	238 mm	rh	B02631.04.03	1	1
	238 mm	lh	B02632.04.03	1	1
Nickel plated	238 mm	rh	B02631.04.06	1	1
	238 mm	lh	B02632.04.06	1	1
Matt. chr. plated	238 mm	rh	B02631.04.34	1	1
	238 mm	lh	B02632.04.34	1	1
STEEL - WITHOUT MANUAL RELEASE LEVER 12V AC 1100 mA/ DC1560 mA					
Enam. brass plated	238 mm	rh	B02631.03.03	1	1
	238 mm	lh	B02632.03.03	1	1
Nickel plated	238 mm	rh	B02631.03.06	1	1
	238 mm	lh	B02632.03.06	1	1
Matt. chr. plated	238 mm	rh	B02631.03.34	1	1
	238 mm	lh	B02632.03.34	1	1

Width 22 mm, without repeater

STEEL - WITH MANUAL RELEASE LEVER 12V AC 1100 mA/DC 1560 mA					
Enam. brass plated	238 mm	rh	B02631.02.03	1	1
	238 mm	lh	B02632.02.03	1	1
Nickel plated	238 mm	rh	B02631.02.06	1	1
	238 mm	lh	B02632.02.06	1	1
Matt. chr. plated	238 mm	rh	B02631.02.34	1	1
	238 mm	lh	B02632.02.34	1	1
STEEL - WITHOUT MANUAL RELEASE LEVER 12V AC 1100 mA/DC 1560 mA					
Enam. brass plated	238 mm	rh	B02631.01.03	1	1
	238 mm	lh	B02632.01.03	1	1
Nickel plated	238 mm	rh	B02631.01.06	1	1
	238 mm	lh	B02632.01.06	1	1
Matt. chr. plated	238 mm	rh	B02631.01.34	1	1
	238 mm	lh	B02632.01.34	1	1
STEEL - WITHOUT MANUAL RELEASE LEVER 12V AC 440 mA / DC 650 mA					
Enam. brass plated	238 mm	rh	B02631.10.03	1	1
	238 mm	lh	B02632.10.03	1	1
Nickel plated	238 mm	rh	B02631.10.06	1	1
	238 mm	lh	B02632.10.06	1	1
Matt. chr. plated	238 mm	rh	B02631.10.34	1	1
	238 mm	lh	B02632.10.34	1	1
STEEL - WITHOUT MANUAL RELEASE LEVER 12V AC 130 mA / DC 200 mA					
Enam. brass plated	238 mm	rh	B02631.05.03	1	1
	238 mm	lh	B02632.05.03	1	1
Nickel plated	238 mm	rh	B02631.05.06	1	1
	238 mm	lh	B02632.05.06	1	1
Matt. chr. plated	238 mm	rh	B02631.05.34	1	1
	238 mm	lh	B02632.05.34	1	1
STEEL - WITHOUT MANUAL RELEASE LEVER 12V DC - 200 mA with DIODE					
Enam. brass plated	238 mm	rh	B02631.06.03	1	1
	238 mm	lh	B02632.06.03	1	1
Nickel plated	238 mm	rh	B02631.06.06	1	1
	238 mm	lh	B02632.06.06	1	1
Matt. chr. plated	238 mm	rh	B02631.06.34	1	1
	238 mm	lh	B02632.06.34	1	1
STEEL - WITHOUT MANUAL RELEASE LEVER 24V AC 70 mA / DC 105 mA					
Enam. brass plated	238 mm	rh	B02631.08.03	1	1
	238 mm	lh	B02632.08.03	1	1
Nickel plated	238 mm	rh	B02631.08.06	1	1
	238 mm	lh	B02632.08.06	1	1
Matt. chr. plated	238 mm	rh	B02631.08.34	1	1
	238 mm	lh	B02632.08.34	1	1



Long wing electric strikers for Opera and Sicurezza SL



Width 25 mm, with repeater

STEEL - WITH MANUAL RELEASE LEVER 12V AC 1100 mA/DC 1560 mA

Enam. brass plated	250 mm	rh	B02603.04.03	1	1
	250 mm	lh	B02604.04.03	1	1
Nickel plated	250 mm	rh	B02603.04.06	1	1
	250 mm	lh	B02604.04.06	1	1
Matt chr. plated	250 mm	rh	B02603.04.34	1	1
	250 mm	lh	B02604.04.34	1	1

STEEL - WITHOUT MANUAL RELEASE LEVER 12V AC 1100 mA/DC 1560 mA

Enam. brass plated	250 mm	rh	B02603.03.03	1	1
	250 mm	lh	B02604.03.03	1	1
Nickel plated	250 mm	rh	B02603.03.06	1	1
	250 mm	lh	B02604.03.06	1	1
Matt chr. plated	250 mm	rh	B02603.03.34	1	1
	250 mm	lh	B02604.03.34	1	1

STEEL - WITHOUT MANUAL RELEASE LEVER 12V AC 130 mA/DC 200 mA

Enam. brass plated	250 mm	rh	B02603.07.03	1	1
	250 mm	lh	B02604.07.03	1	1
Nickel plated	250 mm	rh	B02603.07.06	1	1
	250 mm	lh	B02604.07.06	1	1
Matt chr. plated	250 mm	rh	B02603.07.34	1	1
	250 mm	lh	B02604.07.34	1	1

Width 25 mm, without repeater

STEEL - WITH MANUAL RELEASE LEVER 12V AC 1100 mA/DC 1560 mA

Enam. brass plated	250 mm	rh	B02603.02.03	1	1
	250 mm	lh	B02604.02.03	1	1
Nickel plated	250 mm	rh	B02603.02.06	1	1
	250 mm	lh	B02604.02.06	1	1
Matt chr. plated	250 mm	rh	B02603.02.34	1	1
	250 mm	lh	B02604.02.34	1	1

STEEL - WITHOUT MANUAL RELEASE LEVER 12V AC 1100 mA/DC 1560 mA

Enam. brass plated	250 mm	rh	B02603.01.03	1	1
	250 mm	lh	B02604.01.03	1	1
Nickel plated	250 mm	rh	B02603.01.06	1	1
	250 mm	lh	B02604.01.06	1	1
Matt chr. plated	250 mm	rh	B02603.01.34	1	1
	250 mm	lh	B02604.01.34	1	1

STEEL - WITHOUT MANUAL RELEASE LEVER 12V AC 440 mA/DC 650 mA

Enam. brass plated	250 mm	rh	B02603.10.03	1	1
	250 mm	lh	B02604.10.03	1	1
Nickel plated	250 mm	rh	B02603.10.06	1	1
	250 mm	lh	B02604.10.06	1	1
Matt chr. plated	250 mm	rh	B02603.10.34	1	1
	250 mm	lh	B02604.10.34	1	1

STEEL - WITHOUT MANUAL RELEASE LEVER 12V AC 130 mA/DC 200 mA

Enam. brass plated	250 mm	rh	B02603.05.03	1	1
	250 mm	lh	B02604.05.03	1	1
Nickel plated	250 mm	rh	B02603.05.06	1	1
	250 mm	lh	B02604.05.06	1	1
Matt chr. plated	250 mm	rh	B02603.05.34	1	1
	250 mm	lh	B02604.05.34	1	1

STEEL - WITHOUT MANUAL RELEASE LEVER 12V DC - 200 mA with DIODE

Enam. brass plated	250 mm	rh	B02603.06.03	1	1
	250 mm	lh	B02604.06.03	1	1
Nickel plated	250 mm	rh	B02603.06.06	1	1
	250 mm	lh	B02604.06.06	1	1
Matt chr. plated	250 mm	rh	B02603.06.34	1	1
	250 mm	lh	B02604.06.34	1	1

STEEL - WITHOUT MANUAL RELEASE LEVER 24V AC 70 mA/DC 105 mA

Enam. brass plated	250 mm	rh	B02603.08.03	1	1
	250 mm	lh	B02604.08.03	1	1
Nickel plated	250 mm	rh	B02603.08.06	1	1
	250 mm	lh	B02604.08.06	1	1
Matt chr. plated	250 mm	rh	B02603.08.34	1	1
	250 mm	lh	B02604.08.34	1	1



Long wing electric strikers for Opera and Sicurezza SL



Width 25 mm, without electric device

STEEL					
Enam. brass plated	250 mm	rh	B02802.03.03	1	1
	250 mm	lh	B02803.03.03	1	1
Matt chr. plated	250 mm	rh	B02802.03.34	1	1
	250 mm	lh	B02803.03.34	1	1
Nickel plated	250 mm	rh	B02802.03.06	1	1
	250 mm	lh	B02803.03.06	1	1

To be used with 16 mm width electric devices only



Replacing insert for electric strikers

ADJUSTABLE KIT				
Nickel plated		B02800.00.06	1	10

Electric devices table

	Low absorption			Normal absorption	
	B0260X.05 B0260X.07	B0260X.06	B0260X.08	B0260X.01 B0260X.02 B0260X.03 B0260X.04	B0260X.10
Tension	12V+/-1V	12V ±1V	24V	12V	12V
Nominal resistance	60 Ω	58 Ω	235 Ω	7,7 Ω	17 Ω
DC absorption (stabilized)	200 mA	200 mA	105 mA	1560 mA	650 mA
AC absorption	130 mA	-	70 mA	1100 mA	440 mA
Max latch preloading - DC (stabilized)	10N	10N	10N	30N	18N
Max latch preloading - AC	80N	-	80N	120N	100N

NB: electric spares table in Electric devices section

Diode: is an equipment for protect electric device against the overvoltage

Electric device with diode work with dc only



Electric strikers for Opera and Sicurezza SL - Flush doors 48mm thick



Width 22 mm, with repeater

STEEL - WITH MANUAL RELEASE LEVER 12V AC 1100 mA/DC 1560 mA

Enam. brass plated	238 mm	rh	B02605.04.03	1	1
	238 mm	lh	B02606.04.03	1	1
Nickel plated	238 mm	rh	B02605.04.06	1	1
	238 mm	lh	B02606.04.06	1	1
Matt chr. plated	238 mm	rh	B02605.04.34	1	1
	238 mm	lh	B02606.04.34	1	1

STEEL - WITHOUT MANUAL RELEASE LEVER 12V AC 1100 mA/DC 1560 mA

Enam. brass plated	238 mm	rh	B02605.03.03	1	1
	238 mm	lh	B02606.03.03	1	1
Nickel plated	238 mm	rh	B02605.03.06	1	1
	238 mm	lh	B02606.03.06	1	1
Matt chr. plated	238 mm	rh	B02605.03.34	1	1
	238 mm	lh	B02606.03.34	1	1

NB: to be used with Opera locks without anti-thrust latch

Width 22 mm, without repeater

STEEL - WITH MANUAL RELEASE LEVER 12V AC 1100 mA/DC 1560 mA

Enam. brass plated	238 mm	rh	B02605.02.03	1	1
	238 mm	lh	B02606.02.03	1	1
Nickel plated	238 mm	rh	B02605.02.06	1	1
	238 mm	lh	B02606.02.06	1	1
Matt chr. plated	238 mm	rh	B02605.02.34	1	1
	238 mm	lh	B02606.02.34	1	1

STEEL - WITHOUT MANUAL RELEASE LEVER 12V AC 1100 mA/DC 1560 mA

Enam. brass plated	238 mm	rh	B02605.01.03	1	1
	238 mm	lh	B02606.01.03	1	1
Nickel plated	238 mm	rh	B02605.01.06	1	1
	238 mm	lh	B02606.01.06	1	1
Matt chr. plated	238 mm	rh	B02605.01.34	1	1
	238 mm	lh	B02606.01.34	1	1

STEEL - WITHOUT MANUAL RELEASE LEVER 12V AC 130 mA / DC 200 mA

Enam. brass plated	238 mm	rh	B02605.05.03	1	1
	238 mm	lh	B02606.05.03	1	1
Nickel plated	238 mm	rh	B02605.05.06	1	1
	238 mm	lh	B02606.05.06	1	1
Matt chr. plated	238 mm	rh	B02605.05.34	1	1
	238 mm	lh	B02606.05.34	1	1

STEEL - WITHOUT MANUAL RELEASE LEVER 12V DC - 200 mA with DIODE

Enam. brass plated	238 mm	rh	B02605.06.03	1	1
	238 mm	lh	B02606.06.03	1	1
Nickel plated	238 mm	rh	B02605.06.06	1	1
	238 mm	lh	B02606.06.06	1	1
Matt chr. plated	238 mm	rh	B02605.06.34	1	1
	238 mm	lh	B02606.06.34	1	1

STEEL - WITHOUT MANUAL RELEASE LEVER 24V AC 70 mA / DC 105 mA

Enam. brass plated	238 mm	rh	B02605.08.03	1	1
	238 mm	lh	B02606.08.03	1	1
Nickel plated	238 mm	rh	B02605.08.06	1	1
	238 mm	lh	B02606.08.06	1	1
Matt chr. plated	238 mm	rh	B02605.08.34	1	1
	238 mm	lh	B02606.08.34	1	1

NB: to be used with Opera locks without anti-thrust latch



Electric strikers for Opera and Sicurezza SL - Flush doors 48mm thick



Width 22 mm, without electric device

STEEL - WITH ADJUSTABLE LATCH STRIKE TRAY

Enam. brass plated	238 mm	rh	B02605.00.03	1	1
	238 mm	lh	B02606.00.03	1	1
Nickel plated	238 mm	rh	B02605.00.06	1	1
	238 mm	lh	B02606.00.06	1	1
Matt chr. plated	238 mm	rh	B02605.00.34	1	1
	238 mm	lh	B02606.00.34	1	1

NB: to be used with Opera locks without anti-thrust latch

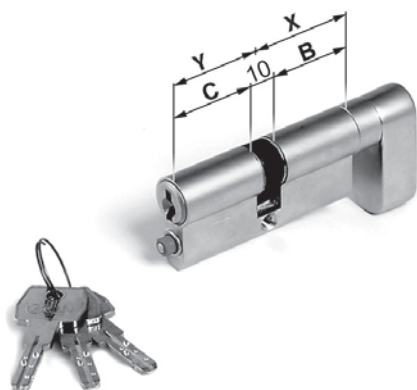
Electric devices table

	Low absorption			Normal absorption
	B0260X.05	B0260X.06	B0260X.08	B0260X.01/02/03/04
Tension	12V ±1V	12V ±1V	24V	12V
Nominal resistance	58 Ω	58 Ω	235 Ω	8 Ω
DC absorption (stabilized)	200 mA	200 mA	105 mA	1560 mA
AC absorption	130 mA	-	70 mA	1100 mA
Max latch preloading - DC (stabilized)	10N	10N	10N	50N
Max latch preloading - AC	50N	-	50N	160N

NB: electric spares table in Electric devices section



Opera - cylinder with occupancy indicator




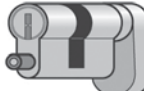

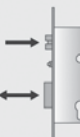
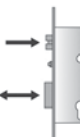





Knob - Key (limited rotation)

PLAIN BRASS					
60	25-10-25	30-30	C72101.25.25	1	1
65	25-10-30	30-35	C72101.25.30	1	1
	30-10-25	35-30	C72101.30.25	1	1
70	25-10-35	30-40	C72101.25.35	1	1
	30-10-30	35-35	C72101.30.30	1	1
	35-10-25	40-30	C72101.35.25	1	1
75	25-10-40	30-45	C72101.25.40	1	1
	30-10-35	35-40	C72101.30.35	1	1
	35-10-30	40-35	C72101.35.30	1	1
	40-10-25	45-30	C72101.40.25	1	1
80	30-10-40	35-45	C72101.30.40	1	1
	40-10-30	45-35	C72101.40.30	1	1
	35-10-35	40-40	C72101.35.35	1	1
	45-10-25	50-30	C72101.45.25	1	1
85	25-10-50	30-55	C72101.25.50	☎	1
	30-10-45	35-50	C72101.30.45	1	1
	35-10-40	40-45	C72101.35.40	1	1
	40-10-35	45-40	C72101.40.35	1	1
	45-10-30	50-35	C72101.45.30	1	1
90	30-10-50	35-55	C72101.30.50	☎	1
	40-10-40	45-45	C72101.40.40	1	1
	45-10-35	50-40	C72101.45.35	1	1
95	55-10-25	60-30	C72101.55.25	1	1
	55-10-30	60-35	C72101.55.30	1	1
100	40-10-50	45-55	C72101.40.50	1	1
	45-10-45	50-50	C72101.45.45	1	1
	50-10-40	55-45	C72101.50.40	1	1
	55-10-35	60-40	C72101.55.35	1	1
105	55-10-40	60-45	C72101.55.40	1	1
120	60-10-50	65-55	C72101.60.50	☎	1

The cylinder price includes the extra charge for coded key systems (MK-GMK)

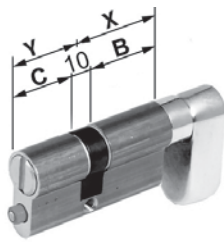
Special finishes on request

EXTRA CHARGE					
Enam. polished			C72110.xx.xx	☎	1 1
Brass nickel plated			C72106.xx.xx	☎	1 1
Brass matt nickel plated			C72116.xx.xx	☎	1 1
Brass satin			C72108.xx.xx	☎	1 1

KEYS	Function	Rotation	 Vacant room	 Occupied room
	Manager	Complete		
	Service	Limited		
	Customer	Limited		



Opera DQ - emergency with occupancy indicator



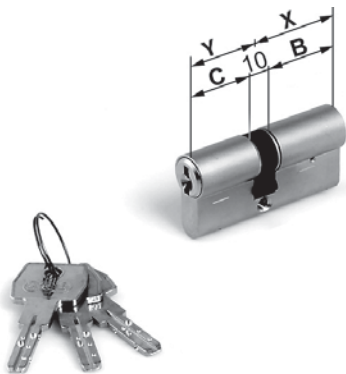
Knob - Emergency (full rotation)

PLAIN BRASS						
60	25-10-25	30-30	C75001.25.25		1	1
65	25-10-30	30-35	C75001.25.30		1	1
	30-10-25	35-30	C75001.30.25		1	1
70	25-10-35	30-40	C75001.25.35		1	1
	30-10-30	35-35	C75001.30.30		1	1
	35-10-25	40-30	C75001.35.25		1	1
75	25-10-40	30-45	C75001.25.40		1	1
	30-10-35	35-40	C75001.30.35		1	1
	35-10-30	40-35	C75001.35.30		1	1
	40-10-25	45-30	C75001.40.25		1	1
80	30-10-40	35-45	C75001.30.40		1	1
	40-10-30	45-35	C75001.40.30		1	1
	35-10-35	40-40	C75001.35.35		1	1
	45-10-25	50-30	C75001.45.25		1	1
85	35-10-40	40-45	C75001.35.40		1	1
	40-10-35	45-40	C75001.40.35		1	1
	45-10-30	50-35	C75001.45.30		1	1
90	40-10-40	45-45	C75001.40.40		1	1
	45-10-35	50-40	C75001.45.35		1	1
	55-10-25	60-30	C75001.55.25		1	1
100	50-10-40	55-45	C75001.50.40		1	1
	55-10-35	60-40	C75001.55.35		1	1
105	55-10-40	60-45	C75001.55.40		1	1

Special finishes on request

EXTRA CHARGE						
Enam. polished			C75010.xx.xx		1	1
Brass nickel plated			C75006.xx.xx		1	1
Brass matt nickel plated			C75016.xx.xx		1	1

Opera DQ - cylinder without occupancy indicator



Key - Key (full rotation)

PLAIN BRASS						
60	25-10-25	30-30	C70101.25.25		1	1
65	25-10-30	30-35	C70101.25.30		1	1
70	25-10-35	30-40	C70101.25.35		1	1
	30-10-30	35-35	C70101.30.30		1	1
75	25-10-40	30-45	C70101.25.40		1	1
	30-10-35	35-40	C70101.30.35		1	1
80	25-10-45	30-50	C70101.25.45		1	1
	30-10-40	35-45	C70101.30.40		1	1
	35-10-35	40-40	C70101.35.35		1	1
85	30-10-45	35-50	C70101.30.45		1	1
	35-10-40	40-45	C70101.35.40		1	1
90	55-10-25	60-30	C70101.25.55		1	1
	35-10-45	40-50	C70101.35.45		1	1
100	45-10-45	50-50	C70101.45.45		1	1

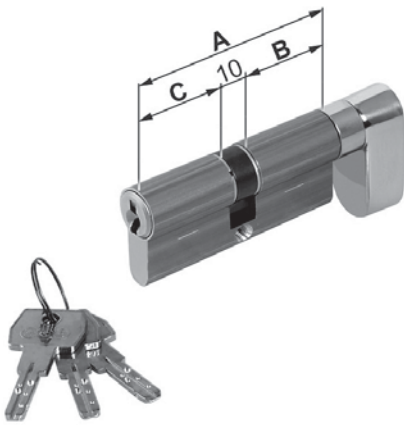
The cylinder price includes the extra charge for coded key systems (MK-GMK)

Special finishes on request

EXTRA CHARGE						
Brass nickel plated			C70106.xx.xx		1	1
Enam. polished			C70110.xx.xx		1	1
Brass matt nickel plated			C70116.xx.xx		1	1



Opera DQ - cylinder without occupancy indicator



Knob - Key (full rotation)

PLAIN BRASS						
60	25-10-25	30-30	C73801.25.25		1	1
65	25-10-30	30-35	C73801.25.30		1	1
	30-10-25	35-30	C73801.30.25		1	1
70	25-10-35	30-40	C73801.25.35		1	1
	30-10-30	35-35	C73801.30.30		1	1
	35-10-25	40-30	C73801.35.25		1	1
75	25-10-40	30-45	C73801.25.40		1	1
	30-10-35	35-40	C73801.30.35		1	1
	35-10-30	40-35	C73801.35.30		1	1
	40-10-25	45-30	C73801.40.25		1	1
80	30-10-40	35-45	C73801.30.40		1	1
	40-10-30	45-35	C73801.40.30		1	1
	35-10-35	40-40	C73801.35.35		1	1
	45-10-25	50-30	C73801.45.25		1	1
85	25-10-55	30-60	C73801.25.50		1	1
	30-10-45	35-50	C73801.30.45		1	1
	35-10-40	40-45	C73801.35.40		1	1
	40-10-35	45-40	C73801.40.35		1	1
90	45-10-30	50-35	C73801.45.30		1	1
	25-10-55	30-60	C73801.25.55		1	1
	40-10-40	45-45	C73801.40.40		1	1
	45-10-35	50-40	C73801.45.35		1	1
95	50-10-30	55-35	C73801.50.30		1	1
	55-10-25	60-30	C73801.55.25		1	1
	45-10-45	50-50	C73801.45.45		1	1
100	50-10-40	55-45	C73801.50.40		1	1
	55-10-35	60-40	C73801.55.35		1	1
105	55-10-40	60-45	C73801.55.40		1	1
115	40-10-65	45-70	C73801.40.65		1	1
	60-10-50	65-55	C73801.60.50		1	1

The cylinder price includes the extra charge for coded key systems (MK-GMK)

Special finishes on request

EXTRA CHARGE						
Enam. polished			C73810.xx.xx		1	1
Brass nickel plated			C73806.xx.xx		1	1
Brass matt nickel plated			C73816.xx.xx		1	1



Opera DQ - cylinder without occupancy indicator



Knob - Key (full rotation) - Mod. 600

PLAIN BRASS							
60	25-10-25	30-30	C63801.25.25	📞	1	1	
65	25-10-30	30-35	C63801.25.30	📞	1	1	
	30-10-25	35-30	C63801.30.25	📞	1	1	
70	25-10-35	30-40	C63801.25.35	📞	1	1	
	30-10-30	35-35	C63801.30.30	📞	1	1	
	35-10-25	40-30	C63801.35.25	📞	1	1	
75	25-10-40	30-45	C63801.25.40	📞	1	1	
	35-10-30	40-35	C63801.35.30	📞	1	1	
	40-10-25	45-30	C63801.40.25	📞	1	1	
80	30-10-40	35-45	C63801.30.40	📞	1	1	
	35-10-35	40-40	C63801.35.35	📞	1	1	
	40-10-30	45-35	C63801.40.30	📞	1	1	
85	45-10-25	50-30	C63801.45.25	📞	1	1	
	35-10-40	40-45	C63801.35.40	📞	1	1	
90	40-10-35	45-40	C63801.40.35	📞	1	1	
	45-10-35	50-40	C63801.45.35	📞	1	1	
100	55-10-25	60-30	C63801.55.25	📞	1	1	
	45-10-45	50-50	C63801.45.45	📞	1	1	
	50-10-40	55-45	C63801.50.40	📞	1	1	

The cylinder price includes the extra charge for coded key systems (MK-GMK)

Special finishes on request

EXTRA CHARGE							
Brass nickel plated			C63806.xx.xx	📞	1	1	
Enam. polished			C63810.xx.xx	📞	1	1	
Brass matt nickel plated			C63816.xx.xx	📞	1	1	

Keys



Blank key - Opera Client

NICKEL SILVER							
			C74300.04.01		50	50	



Blank key - Opera Service

NICKEL SILVER							
			C94300.03.01		50	50	



Blank key - Opera Manager

NICKEL SILVER							
			C94300.02.01		50	50	

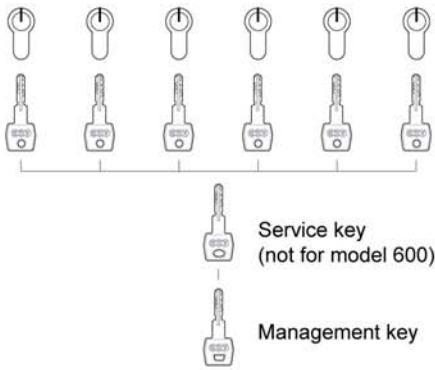


Blank key - Mod. 600

BRASS							
			C64305.04.06		100	1200	



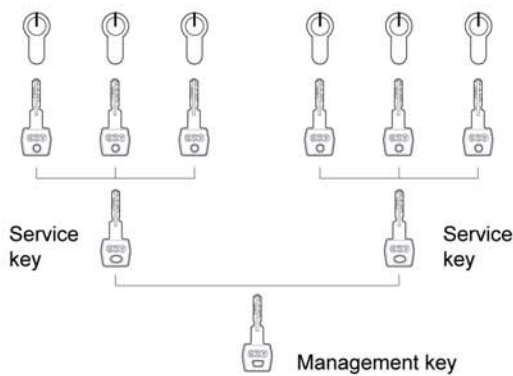
Key Systems



Master Key system

MK

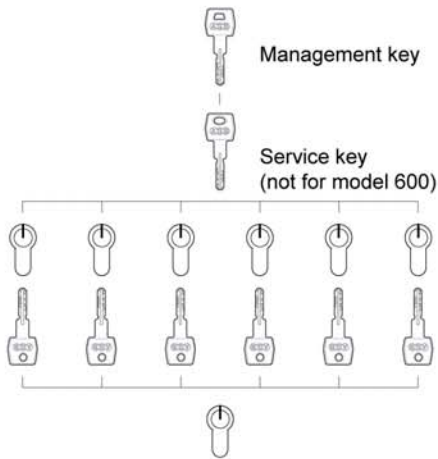
Every cylinder can be opened by its own key which cannot open any other cylinder of the system. All the cylinders can be opened by the MK management key.



General Master Key system

GMK

Same as the management key system but in two or more groups. Every group of cylinders can be opened by its own service key. All the cylinders of the system can be opened by the GMK grand management key.



Central Cylinder System and Master Key

CCMK

Every cylinder has its own key which cannot open any other cylinder of the system, except the central system. All the cylinders of the system can be opened by the MK management key.

KEYS	Function	Rotation		
			Vacant room	Occupied room
	Manager	Complete		
	Service	Limited		
	Customer	Limited		



Opera cylinders - Extra charge for key systems

Key alike system cylinders - KA

- Free coding (price for each cylinder)
- Specimen coding (price for each cylinder)
- Deduction for each key supplied less than the standard quantity
- Additional customer key
- Complete rotation key
- Duplication keys**
- Duplication for keys with coding
- Standard key (no coding)

Opera cylinder		Client key (*)		Service key (floor)		Management key	
CODE	PRICE	CODE	PRICE	CODE	PRICE	CODE	PRICE
KA	compreso						
KC	2,010						
			1,402				
		C94300.11.01	3,959				
			1,217		1,217		
		C94300.21.01	10,388	C94300.23.01	10,996	C94300.22.01	11,606
		C94300.01.01	2,406	C94300.03.01	3,014	C94300.02.01	3,623

Master Key system cylinders - MK

- Free coding (price for each cylinder)
- Specimen coding (price for each cylinder)
- Master key, to be ord. by the set (multiples of 3)

Opera cylinder		Client key (*)		Service key (floor)		Management key	
CODE	PRICE	CODE	PRICE	CODE	PRICE	CODE	PRICE
MK	compreso						
MC	9,133						
				C94300.13.01	4,569	C94300.12.01	5,176

General Master Key system cylinders - GMK

- Free coding (price for each cylinder)
- Specimen coding (price for each cylinder)
- Master key, to be ord. by the set (multiples of 3)

Opera cylinder		Client key (*)		Service key (floor)		Management key	
CODE	PRICE	CODE	PRICE	CODE	PRICE	CODE	PRICE
GMK	compreso						
GMC	12,178						
				C94300.13.01	4,569	C94300.12.01	5,176

Central Cylinder system cylinders - CC

- Free coding (price for each cylinder)
- Specimen coding (price for each cylinder)

Opera cylinder		Client key (*)		Service key (floor)		Management key	
CODE	PRICE	CODE	PRICE	CODE	PRICE	CODE	PRICE
CC	8,222						
CCC	10,657						

Central Cylinder and Master Key system cylinders - CCMK

- Free coding (price for each cylinder)
- Specimen coding (price for each cylinder)
- Master key, to be ord. by the set (multiples of 3)

Opera cylinder		Client key (*)		Service key (floor)		Management key	
CODE	PRICE	CODE	PRICE	CODE	PRICE	CODE	PRICE
CMK	15,833						
CMC	22,226						
				C94300.13.01	4,569	C94300.12.01	5,176

(*) CODE to be indicated in the order; PRICE for each key

The expansion of existing systems is considered as specimen coding

At the time of the first order, indicate whether a future expansion may be required for the systems, otherwise specimen coding for the systems could not be possible.

For systems other than the ones indicated, please contact our sales department.

The good operation of the cylinders is guaranteed only with original AGB's Key.

The cylinder systems will be shipped together with other supplies on order within one week of availability. Otherwise, they will be shipped carriage paid and the shipping fees charged to the customer's account if the value of the systems is less than 1000 Euro.



Opera Mod. 638 cylinders - Extra charge for key systems

	Opera mod 638		Key (*)	
	CODE	PRICE	CODE	PRICE
Key alike system cylinders - KA				
Free coding (price for each cylinder)	KA	compreso		
Specimen coding (price for each cylinder)	KC	2,173		
Duplication keys				
Duplication for keys with coding			C64300.24.06	4,306
Standard key (no coding)			C64305.04.06	0,691

	Opera mod 638		Key (*)	
	CODE	PRICE	CODE	PRICE
Master Key system cylinders - MK				
Free coding (price for each cylinder)	MK	compreso		
Specimen coding (price for each cylinder)	MC	9,875		
Master key, to be ord. by the set (multiples of 3)			C64300.15.06	1,384

	Opera mod 638		Key (*)	
	CODE	PRICE	CODE	PRICE
General Master Key system cylinders - GMK				
Free coding (price for each cylinder)	GMK	compreso		
Specimen coding (price for each cylinder)	GMC	13,167		
Master key, to be ord. by the set (multiples of 3)			C64300.16.06	1,384

	Opera mod 638		Key (*)	
	CODE	PRICE	CODE	PRICE
Central Cylinder system cylinders - CC				
Free coding (price for each cylinder)	CC	8,888		
Specimen coding (price for each cylinder)	CCC	11,522		

	Opera mod 638		Key (*)	
	CODE	PRICE	CODE	PRICE
Central Cylinder and Master Key system cylinders - CCMK				
Free coding (price for each cylinder)	CMK	17,116		
Specimen coding (price for each cylinder)	CMC	24,032		
Master key, to be ord. by the set (multiples of 3)			C64300.16.06	1,384

(*) CODE to be indicated in the order; PRICE for each key

The expansion of existing systems is considered as specimen coding

At the time of the first order, indicate whether a future expansion may be required for the systems, otherwise specimen coding for the systems could not be possible.

For systems other than the ones indicated, please contact our sales department.

The good operation of the cylinders is guaranteed only with original AGB's Key.

The cylinder systems will be shipped together with other supplies on order within one week of availability. Otherwise, they will be shipped carriage paid and the shipping fees charged to the customer's account if the value of the systems is less than 1000 Euro.



Plane electric strikers for pivoting dead bolts



Width 25 mm - Flat plate, square ends with repeater

With repeater and manual release lever

Enam. brass plated	250 mm	rh	B02610.04.03	1	10
	250 mm	lh	B02611.04.03	1	10
Matt chr. plated	250 mm	rh	B02610.04.34	1	10
	250 mm	lh	B02611.04.34	1	10

Plane Electric strikers for latch only locks



Width 25 mm - Flat plate, square ends non-handed with repeater

STEEL - With manual release lever 12V AC 1100 mA/DC 1560 mA

Enam. brass plated	250 mm	B02614.04.03	1	10
Nickel plated	250 mm	B02614.04.06	1	10
Matt chr. plated	250 mm	B02614.04.34	1	10

Electric devices table

	Normal absorption
Tension	12V
Nominal resistance	8 Ω
DC absorption (stabilized)	1560 mA
AC absorption	1100 mA
Max latch preloading - DC (stabilized)	30N
Max latch preloading - AC	120N

NB: electric spares table in Electric devices section



Electric devices



Asymmetrical, width 16,5 mm, with repeater

STEEL - with manual release lever 12V AC 1100 mA/DC 1560 mA				
Normal	rh		B02600.04.01	1 1
	lh		B02600.04.02	1 1
STEEL - without manual release lever 12V AC 1100 mA/DC 1560 mA				
Normal	rh		B02600.03.01	1 1
	lh		B02600.03.02	1 1
STEEL - without manual release lever 12V AC 130 mA/DC 200 mA				
Normal	rh	Low absorption	B02600.07.01	1 1
	lh	Low absorption	B02600.07.02	1 1

Asymmetrical, width 16,5 mm, without repeater

STEEL - with manual release lever 12V AC 1100 mA/DC 1560 mA				
Normal	rh		B02600.02.01	1 1
	lh		B02600.02.02	1 1
STEEL - without manual release lever 12V AC 1100 mA/DC 1560 mA				
Normal	rh		B02600.01.01	1 1
	lh		B02600.01.02	1 1
STEEL - without manual release lever 12V AC 440mA/DC 650 mA				
Normal	rh		B02600.10.01	1 1
	lh		B02600.10.02	1 1
STEEL - with manual release lever 12V AC 130mA/DC 200 mA				
Normal	rh	Low absorption	B02600.05.01	1 1
	lh	Low absorption	B02600.05.02	1 1
STEEL - with manual release lever 12V DC 200 mA/DC with DIODE				
Normal	rh	Low absorption	B02600.06.01	1 1
	lh	Low absorption	B02600.06.02	1 1
STEEL - without manual release lever 12V AC 70 mA/DC 105 mA				
Normal	rh	Low absorption	B02600.08.01	1 1
	lh	Low absorption	B02600.08.02	1 1

	Low absorption			Normale assorbimento	
	B02600.05 B02600.07	B02600.06	B02600.08	B02600.01 B02600.02 B02600.03 B02600.04	B02600.10
Tension	12V +/- 1V	12V ±1V	24V	12V	12V
Nominal resistance	60 Ω	58 Ω	235 Ω	7,7 Ω	17 Ω
DC absorption (stabilized)	200 mA	200 mA	105 mA	1560 mA	650 mA
AC absorption	130 mA	-	70 mA	1100 mA	440 mA
Max latch preloading - DC (stabilized)	10N	10N	10N	30N	18N
Max latch preloading - AC	80N	-	80N	120N	100N



Asymmetrical, width 16,5 mm, with repeater

STEEL - with manual release lever 12V AC 1100 mA/ DC 1560 mA				
Radial	rh		B02600.04.03	☎ 1 1
	lh		B02600.04.04	☎ 1 1
STEEL - without manual release lever 12V AC 1100 mA/ DC 1560 mA				
Radial	rh		B02600.03.03	☎ 1 1
	lh		B02600.03.04	☎ 1 1
STEEL - without manual release lever 12V AC 130 mA/ DC 200 mA				
Radial	rh	Low absorption	B02600.07.03	☎ 1 1
	lh	Low absorption	B02600.07.04	☎ 1 1



Electric devices

Asymmetrical, width 16,5 mm, without repeater

STEEL - with manual release lever 12V AC 1100 mA/ DC 1560 mA				
Radial	rh		B02600.02.03	☎ 1 1
	lh		B02600.02.04	☎ 1 1
STEEL - without manual release lever 12V AC 1100 mA/ DC 1560 mA				
Radial	rh		B02600.01.03	☎ 1 1
	lh		B02600.01.04	☎ 1 1
STEEL - without manual release lever 12V AC 130 mA/ DC 200 mA				
Radial	rh	Low absorption	B02600.05.03	☎ 1 1
	lh	Low absorption	B02600.05.04	☎ 1 1
STEEL - without manual release lever 12V DC 200 mA with DIODE				
Radial	rh	Low absorption	B02600.06.03	☎ 1 1
	lh	Low absorption	B02600.06.04	☎ 1 1
STEEL - without manual release lever 24V AC 70 mA/ DC 105 mA				
Radial	rh	Low absorption	B02600.08.03	☎ 1 1
	lh	Low absorption	B02600.08.04	☎ 1 1

	Low absorption			Normal absorption
	B02600.05 B02600.07	B02600.06	B02600.08	B02600.01/02/03/04
Tension	12V ±1V	12V ±1V	24V	12V
Nominal resistance	58 Ω	58 Ω	235 Ω	8 Ω
DC absorption (stabilized)	200 mA	200 mA	105 mA	1560 mA
AC absorption	130 mA	-	70 mA	1100 mA
Max latch preloading - DC (stabilized)	10N	10N	10N	50N
Max latch preloading - AC	50N	-	50N	160N

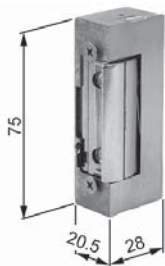


Symmetrical, width 16,5 mm, with repeater

STEEL - with manual release lever 12V AC 1100 mA/ DC 1560 mA				
Radial			B02600.04.05	☎ 1 1
STEEL - without manual release lever 12V AC 1100 mA/ DC 1560 mA				
Radial			B02600.03.05	☎ 1 1

Symmetrical, width 16,5 mm, without repeater

STEEL - with manual release lever 12V AC 1100 mA/ DC 1560 mA				
Radial			B02600.02.05	☎ 1 1
STEEL - without manual release lever 12V AC 1100 mA/ DC 1560 mA				
Radial			B02600.01.05	☎ 1 1

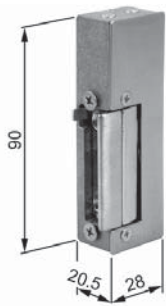


Symmetrical, width 20,5 mm, with repeater

STEEL - with manual release lever 12V AC 1100 mA/ DC 1560 mA				
Radial			B02600.04.06	☎ 1 1



Electric devices



Asymmetrical, width 20,5 mm, with repeater

STEEL - with manual release lever 12V AC 1100 mA/ DC 1560 mA

Normal	B02600.04.00	1	1
--------	--------------	---	---

STEEL - without manual release lever 12V AC 1100 mA/ DC 1560 mA

Normal	B02600.03.00	1	1
--------	--------------	---	---



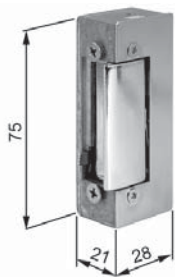
Asymmetrical, width 20,5 mm, without repeater

STEEL - without manual release lever 12V DC 200 mA

rh Low absorption	B02600.05.05	1	1
-------------------	--------------	---	---

STEEL - without manual release lever 12V ca 130 mA / cc 200 mA

lh Low absorption	B02600.05.00	1	1
-------------------	--------------	---	---



Symmetrical, non-adjustable, width 21 mm, with repeater

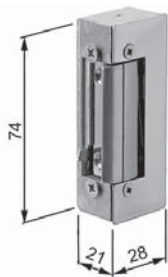
STEEL - without manual release lever 12V AC 1100 mA/ DC 1560 mA

Normal	B02600.03.08	1	1
--------	--------------	---	---

Symmetrical, non-adjustable, width 21 mm, without repeater

STEEL - without manual release lever 12V AC 1100 mA/ DC 1560 mA

Normal	B02600.01.08	1	1
--------	--------------	---	---



Symmetrical, adjustable, width 21 mm, with repeater

STEEL - with manual release lever 12V AC 1100 mA/ DC 1560 mA

Normal	B02600.04.07	1	1
--------	--------------	---	---

Electronic device data table (collected at 20° C)

	Low absorption B02600.05	Normal absorption B02600.01/03/04
Tension	12V ± 1V	12V
Nominal resistance	58 Ω	8 Ω
DC absorption (stabilized)	200 mA	1560 mA
AC absorption	130 mA	1100 mA
Max latch preloading - DC (stabilized)	10N	30N
Max latch preloading - AC	50N	120N









Electric devices replacement scheme

Description	Model	AGB electric devices			
 Electric striker, angled plate and round ends	B02607.04.XX (rh)			B02600.04.00	
	B02608.04.XX (lh)			B02600.04.00	
 Electric striker, flat plate and square ends	B02609.04.XX (non-handed)			B02600.04.00	
 Electric striker, flat plate for Centro locks and metal profiles	B02610.04.XX (rh)	B02600.04.01			
	B02611.04.XX (lh)	B02600.04.02			
 Half wing electric striker for Opera SL, rebated doors <div style="border: 1px solid gray; border-radius: 50%; padding: 10px; width: fit-content; margin: 10px auto;"> <p>NB. For this strikers on r.h. plates must be applied lh electric devices and vice versa.</p> </div>	B02601.01.XX (rh)	B02600.01.02			
	B02602.01.XX (lh)	B02600.01.01			
	B02601.02.XX (rh)	B02600.02.02			
	B02602.02.XX (lh)	B02600.02.01			
	B02601.03.XX (rh)	B02600.03.02			
	B02602.03.XX (lh)	B02600.03.01			
	B02601.04.XX (rh)	B02600.04.02			
	B02602.04.XX (lh)	B02600.04.01			
	B02601.05.XX (rh)	B02600.05.02			
	B02602.05.XX (lh)	B02600.05.01			
	B02601.06.XX (rh)	B02600.06.02			
	B02602.06.XX (lh)	B02600.06.01			
	B02601.08.XX (rh)	B02600.08.02			
	B02602.08.XX (lh)	B02600.08.01			
	B02601.10.XX (rh)	B02600.10.02			
	B02602.10.XX (lh)	B02600.10.01			









Electric devices replacement scheme

		AGB electric devices			
					
Description	Model	B02600.XX.01 (rh) B02600.XX.02 (lh)	B02600.XX.03 B02600.XX.04	B02600.04.00	B02600.04.07
 <p>Half wing electric strikers for Opera, telescopic coverplate</p>	B02631.01.XX (rh)	B02600.01.02			
	B02632.01.XX (lh)	B02600.01.01			
	B02631.02.XX (rh)	B02600.02.02			
	B02632.02.XX (lh)	B02600.02.01			
	B02631.03.XX (rh)	B02600.03.02			
	B02632.03.XX (lh)	B02600.03.01			
	B02631.04.XX (rh)	B02600.04.02			
	B02632.04.XX (lh)	B02600.04.01			
	B02631.05.XX (rh)	B02600.05.02			
	B02632.05.XX (lh)	B02600.05.01			
	B02631.06.XX (rh)	B02600.06.02			
	B02632.06.XX (lh)	B02600.06.01			
	B02631.08.XX (rh)	B02600.08.02			
	B02632.08.XX (lh)	B02600.08.01			
	B02631.10.XX (rh)	B02600.10.02			
	B02632.10.XX (lh)	B02600.10.01			
 <p>Long wing electric striker for Opera SL, rebated doors</p>	B02603.01.XX (rh)	B02600.01.01			
	B02604.01.XX (lh)	B02600.01.02			
	B02603.02.XX (rh)	B02600.02.01			
	B02604.02.XX (lh)	B02600.02.02			
	B02603.03.XX (rh)	B02600.03.01			
	B02604.03.XX (lh)	B02600.03.02			
	B02603.04.XX (rh)	B02600.04.01			
	B02604.04.XX (lh)	B02600.04.02			
	B02603.05.XX (rh)	B02600.05.01			
	B02604.05.XX (lh)	B02600.05.02			
	B02603.06.XX (rh)	B02600.06.01			
	B02604.06.XX (lh)	B02600.06.02			
	B02603.07.XX (rh)	B02600.07.01			
	B02604.07.XX (lh)	B02600.07.02			
	B02603.08.XX (rh)	B02600.08.01			
	B02604.08.XX (lh)	B02600.08.02			
B02603.10.XX (rh)	B02600.10.01				
B02604.10.XX (lh)	B02600.10.02				



Electric devices replacement scheme

		AGB electric devices			
					
Description	Model	B02600.XX.01 (rh) B02600.XX.02 (lh)	B02600.XX.03 B02600.XX.04	B02600.04.00	B02600.04.07
 <p>Electric striker for Opera SL, flush doors, without anti-thrust latch</p> <p>NB. For this strikers you must install l.h. electric devices only.</p>	B02605.01.XX (rh)		B02600.01.04		
	B02606.01.XX (lh)		B02600.01.04		
	B02605.02.XX (rh)		B02600.02.04		
	B02606.02.XX (lh)		B02600.02.04		
	B02605.03.XX (rh)		B02600.03.04		
	B02606.03.XX (lh)		B02600.03.04		
	B02605.04.XX (rh)		B02600.04.04		
	B02606.04.XX (lh)		B02600.04.04		
	B02605.05.XX (rh)		B02600.05.04		
	B02606.05.XX (lh)		B02600.05.04		
	B02605.06.XX (rh)		B02600.06.04		
	B02606.06.XX (lh)		B02600.06.04		
	B02605.08.XX (rh)		B02600.08.04		
	B02606.08.XX (lh)		B02600.08.04		
 <p>Non-handed electric striker, short plate for metal profiles</p>	B02614.04.XX (non-handed)				B02600.04.07



Order specifications for electric strikers

Order specifications for electric strikers

Client: Order date: Order no.: Requested delivery date:

FILLED IN BY THE DOOR PRODUCER OR THE BUILDING EXECUTIVE	
MANUAL RELEASE LEVER IS REQUIRED? (e.g. to allow cleaning personnel to enter the room without using the badge every time)	YES NO
LONG WING PLATE SUITABLE FOR REBATED REI DOORS	YES NO
HALF WING PLATE SUITABLE FOR REBATED DOORS	YES NO
HALF WING PLATE FOR TELESCOPIC COVER SUITABLE FOR REBATED DOORS	YES NO
PLATE FOR FLUSH DOORS	YES NO
QUANTITIES FOR RIGHT-HAND DOORS ACCORDING TO DIN 107	
QUANTITIES FOR LEFT-HAND DOORS ACCORDING TO DIN 107	
FINISH (Refer to pricelist in force to verify availability)	
REI DOORS HIGH ACUSTIC ABSORPTION (GASKETS make high pressure of the latch on the mobile wing**)	YES (normal absorption recommended) NO

put a cross to choose the options

FILLED IN BY THE INSTALLER	
BADGE READER PULSE DURATION	< of 3 seconds (with repeater recommended) > of 3 seconds (without repeater recommended) 12V CA • 7,7 Ω • 1100 mA 12V CC • 7,7 Ω • 1560 mA 12V CA • 17 Ω • 440 mA 12V CC • 17 Ω • 650 mA 12V CA • 60 Ω • 130 mA 12V CC • 60 Ω • 200 mA 24V CA • 235 Ω • 70 mA 24V CC • 235 Ω • 105 mA 12V CC • 58 Ω • 200 mA • diode
FEEDING TENSION [V] RESISTANCE [Ω] CURRENT INTENSITY [mA]	Normal absorption Low absorption
Warning! The electric strikers are silent when feeded with AC current, they buzz lightly, as the 50 Hz AC current can be heard.	
DIODE TO PREVENT INDUCTIVE OVERFEEDING?*	YES NO
LONG LASTING FEEDING IS REQUIRED? (e.g. offices entrance doors opened for 8 or more hours)	YES (low absorption recommended) NO

put a cross to choose the options

*Electrical devices with diode work on DC current only; availability with feeding tension on 12V DC and low absorption (200 mA)
 **WARNING: beyond 18N of latch pressure on the wing of the striker, it is necessary to feed the low absorption devices on AC. Beyond 80N it is not allowed the use of low absorption electric strikers any more.
NB. When designing the dimensions of the transformer and the feeding cables you must take into consideration the tension falling of the cables. In order to guarantee the correct working of the electrical strikers you need to comply with the values indicated in the proper technical catalogs pages.

STAMP AND SIGNATURE OF THE DOOR PRODUCER

EVENTUAL NOTES

STAMP AND SIGNATURE OF THE INSTALLER

This document must be completely filled, stamped and signed and sent to: Alban Giacomo SpA - Via A. de Gasperi 75 36060 Romano d'Ezzelino (VI) - Fax +39 0424 832 900

CYLINDERS



AGB
SISTEMI DI FIDUCIARIETÀ PER PROFITTELLI E
SCUDO DCK
Per ottenere la duplicazione delle
chiavi con numero di serie
to obtain a duplicate of the
keys with serial number:
102KFOX9CQ
aprire la busta e comunicare il PIN segreto
ad un rivenditore autorizzato AGB
open this envelope and communicate
the secret PIN to an authorized AGB dealer
PIN n° 1

Cylinders

Mod. Scudo DCK - Duplicate controlled key	pag.	104
Scudo DCK Key duplication	pag.	108
Application form for Scudo DCK cylinders duplicate keys	pag.	109
Mod. Scudo 9000	pag.	110
Application form for Scudo 9000 cylinders duplicate keys	pag.	113
Mod. U-Tech	pag.	114
Application form for U-Tech cylinders duplicate keys	pag.	116
Mod. Scudo 5000	pag.	117
Application form for Scudo 5000 cylinders duplicate keys	pag.	122
Mod. 600	pag.	123
TENAX, ROUND	pag.	128
TENAX, OVAL	pag.	128
C-LINER	pag.	128
Accessories	pag.	129
Key systems	pag.	131
Extra charge for key systems	pag.	132
Extra charge for Pass keys	pag.	133
Application form for cylinders keys systems	pag.	134
Example of application form for cylinders keys systems	pag.	135



Mod. Scudo DCK - Duplicate controlled key



Key - Key

MATT NICKEL PLATED

60	30-30	15	25-10-25	C10016.25.25	1	5
65	30-35	15	25-10-30	C10016.25.30	1	5
66	33-33	15	28-10-28	C10016.28.28	1	5
70	30-40	15	25-10-35	C10016.25.35	1	5
	35-35	15	30-10-30	C10016.30.30	1	5
75	30-45	15	25-10-40	C10016.25.40	1	5
	35-40	15	30-10-35	C10016.30.35	1	5
80	30-50	15	25-10-45	C10016.25.45	1	5
	35-45	15	30-10-40	C10016.30.40	1	5
	40-40	15	35-10-35	C10016.35.35	1	5
85	30-55	15	25-10-50	C10016.25.50	1	5
	35-50	15	30-10-45	C10016.30.45	1	5
	40-45	15	35-10-40	C10016.35.40	1	5
90	30-60	15	25-10-55	C10016.25.55	1	5
	35-55	15	30-10-50	C10016.30.50	1	5
	40-50	15	35-10-45	C10016.35.45	1	5
	45-45	15	40-10-40	C10016.40.40	1	5
95	30-65	15	25-10-60	C10016.25.60	1	5
	35-60	15	30-10-55	C10016.30.55	1	5
	40-55	15	35-10-50	C10016.35.50	1	5
	45-50	15	40-10-45	C10016.40.45	1	5
100	30-70	15	25-10-65	C10016.25.65	1	5
	40-60	15	35-10-55	C10016.35.55	1	5
	45-55	15	40-10-50	C10016.40.50	1	5
	50-50	15	45-10-45	C10016.45.45	1	5
110	30-80	15	25-10-75	C10016.25.75	1	5
	40-70	15	35-10-65	C10016.35.65	1	5
	45-65	15	40-10-60	C10016.40.60	1	5
	50-60	15	45-10-55	C10016.45.55	1	5
115	45-70	15	40-10-65	C10016.40.65	1	5
	40-80	15	35-10-75	C10016.35.75	1	5
120	45-75	15	40-10-70	C10016.40.70	1	5
	55-65	15	50-10-60	C10016.50.60	1	5
	60-60	15	55-10-55	C10016.55.55	1	5

Key - Key Special finishes on request *

EXTRA CHARGE

Enam. polished	C10010.xx.xx	1	5
----------------	--------------	---	---

* Only visible surfaces are polished



Mod. Scudo DCK - Duplicate controlled key



Key - Key double function

MATT NICKEL PLATED

60	30-30	15	25-10-25	C20016.25.25	📞	1	5
65	30-35	15	25-10-30	C20016.25.30	📞	1	5
66	33-33	15	28-10-28	C20016.28.28	📞	1	5
70	30-40	15	25-10-35	C20016.25.35	📞	1	5
	35-35	15	30-10-30	C20016.30.30	📞	1	5
75	30-45	15	25-10-40	C20016.25.40	📞	1	5
	35-40	15	30-10-35	C20016.30.35	📞	1	5
76	38-38	15	33-10-33	C20016.33.33	📞	1	5
80	30-50	15	25-10-45	C20016.25.45	📞	1	5
	35-45	15	30-10-40	C20016.30.40	📞	1	5
	40-40	15	35-10-35	C20016.35.35	📞	1	5
85	30-55	15	25-10-50	C20016.25.50	📞	1	5
	35-50	15	30-10-45	C20016.30.45	📞	1	5
	40-45	15	35-10-40	C20016.35.40	📞	1	5
90	30-60	15	25-10-55	C20016.25.55	📞	1	5
	35-55	15	30-10-50	C20016.30.50	📞	1	5
	40-50	15	35-10-45	C20016.35.45	📞	1	5
	45-45	15	40-10-40	C20016.40.40	📞	1	5
95	35-60	15	30-10-55	C20016.30.55	📞	1	5
	45-50	15	40-10-45	C20016.40.45	📞	1	5
	40-55	15	35-10-50	C20016.35.50	📞	1	5
100	30-70	15	25-10-65	C20016.25.65	📞	1	5
	40-60	15	35-10-55	C20016.35.55	📞	1	5
	45-55	15	40-10-50	C20016.40.50	📞	1	5
	50-50	15	45-10-45	C20016.45.45	📞	1	5
110	30-80	15	25-10-75	C20016.25.75	📞	1	5
	40-70	15	35-10-65	C20016.35.65	📞	1	5
	45-65	15	40-10-60	C20016.40.60	📞	1	5
115	45-70	15	40-10-65	C20016.40.65	📞	1	5
120	40-80	15	35-10-75	C20016.35.75	📞	1	5
	45-75	15	40-10-70	C20016.40.70	📞	1	5

Key - Key double function special finishes on request *

EXTRA CHARGE

Enam. polished	C20010.xx.xx	📞	1	5
----------------	--------------	---	---	---

* Only visible surfaces are polished

Half cylinders

MATT NICKEL PLATED

40	10-30	15	05-10-25	C13016.05.25		1	5
45	10-35	15	05-10-30	C13016.05.30		1	5
50	10-40	15	05-10-35	C13016.05.35		1	5
55	10-45	15	05-10-40	C13016.05.40		1	5
60	10-50	15	05-10-45	C13016.05.45		1	5
65	10-55	15	05-10-50	C13016.05.50		1	5

Half cylinders - Special finishes on request *

EXTRA CHARGE

Enam. polished	C20010.xx.xx	📞	1	5
----------------	--------------	---	---	---

* Only visible surfaces are polished





Mod. Scudo DCK - Duplicate controlled key



Knob - Key

MATT NICKEL PLATED

60	30-30	15	25-10-25	C12016.25.25	1	5
65	30-35	15	25-10-30	C12016.25.30	1	5
	35-30	15	30-10-25	C12016.30.25	1	5
66	33-33	15	28-10-28	C12016.28.28	1	5
70	30-40	15	25-10-35	C12016.25.35	1	5
	35-35	15	30-10-30	C12016.30.30	1	5
	40-30	15	35-10-25	C12016.35.25	1	5
75	30-45	15	25-10-40	C12016.25.40	1	5
	35-40	15	30-10-35	C12016.30.35	1	5
	40-35	15	35-10-30	C12016.35.30	1	5
	45-30	15	40-10-25	C12016.40.25	1	5
80	30-50	15	25-10-45	C12016.25.45	1	5
	35-45	15	30-10-40	C12016.30.40	1	5
	40-40	15	35-10-35	C12016.35.35	1	5
	45-35	15	40-10-30	C12016.40.30	1	5
	50-30	15	45-10-25	C12016.45.25	1	5
85	30-55	15	25-10-50	C12016.25.50	1	5
	35-50	15	30-10-45	C12016.30.45	1	5
	40-45	15	35-10-40	C12016.35.40	1	5
	45-40	15	40-10-35	C12016.40.35	1	5
	50-35	15	45-10-30	C12016.45.30	1	5
	90	30-60	15	25-10-55	C12016.25.55	1
40-50		15	35-10-45	C12016.35.45	1	5
45-45		15	40-10-40	C12016.40.40	1	5
50-40		15	45-10-35	C12016.45.35	1	5
55-35		15	50-10-30	C12016.50.30	1	5
60-30		15	55-10-25	C12016.55.25	1	5
95		35-60	15	30-10-55	C12016.30.55	1
	40-55	15	35-10-50	C12016.35.50	1	5
	45-50	15	40-10-45	C12016.40.45	1	5
100	30-70	15	25-10-65	C12016.25.65	1	5
	40-60	15	35-10-55	C12016.35.55	1	5
	45-55	15	40-10-50	C12016.40.50	1	5
	50-50	15	45-10-45	C12016.45.45	1	5
	55-45	15	50-10-40	C12016.50.40	1	5
	60-40	15	55-10-35	C12016.55.35	1	5
	70-30	15	65-10-25	C12016.65.25	1	5
	105	35-70	15	30-10-65	C12016.30.65	1
45-60		15	40-10-55	C12016.40.55	1	5
60-45		15	55-10-40	C12016.55.40	1	5
110	30-80	15	25-10-75	C12016.25.75	1	5
	35-75	15	30-10-70	C12016.30.70	1	5
	80-30	15	75-10-25	C12016.75.25	1	5
115	45-70	15	40-10-65	C12016.40.65	1	5
	120	45-75	15	40-10-70	C12016.40.70	1
120	55-65	15	50-10-60	C12016.50.60	1	5
	65-55	15	60-10-50	C12016.60.50	1	5
	75-45	15	70-10-40	C12016.70.40	1	5

Knob - Key Special finishes on request *

EXTRA CHARGE

Enam. polished	C12010.xx.xx	1	5
----------------	--------------	---	---

* Only visible surfaces are polished



Mod. Scudo DCK - Duplicate controlled key



18 mm tang - Key

MATT NICKEL PLATED

60	30-30	15	25-10-25	C12416.25.25	📞	1	5
65	30-35	15	25-10-30	C12416.25.30	📞	1	5
	35-30	15	30-10-25	C12416.30.25	📞	1	5
70	30-40	15	25-10-35	C12416.25.35	📞	1	5
	35-35	15	30-10-30	C12416.30.30	📞	1	5
	40-30	15	35-10-25	C12416.35.25	📞	1	5
75	30-45	15	25-10-40	C12416.25.40	📞	1	5
	35-40	15	30-10-35	C12416.30.35	📞	1	5
	45-30	15	40-10-25	C12416.40.25	📞	1	5
80	30-50	15	25-10-45	C12416.25.45	📞	1	5
	35-45	15	30-10-40	C12416.30.40	📞	1	5
	40-40	15	35-10-35	C12416.35.35	📞	1	5
	45-35	15	40-10-30	C12416.40.30	📞	1	5
	50-30	15	45-10-25	C12416.45.25	📞	1	5
85	35-50	15	30-10-45	C12416.30.45	📞	1	5
	40-45	15	35-10-40	C12416.35.40	📞	1	5
	45-40	15	40-10-35	C12416.40.35	📞	1	5
90	40-50	15	35-10-45	C12416.35.45	📞	1	5
	50-40	15	45-10-35	C12416.45.35	📞	1	5
	45-45	15	40-10-40	C12416.40.40	📞	1	5
100	50-50	15	45-10-45	C12416.45.45	📞	1	5
115	45-70	15	40-10-65	C12416.40.65	📞	1	5

18 mm tang Special finishes on request *

EXTRA CHARGE

Enam. polished	C12410.xx.xx	📞	1	5
----------------	--------------	---	---	---

* Only visible surfaces are polished



63 mm tang - Key

MATT NICKEL PLATED

60	30-30	15	25-10-25	C12316.25.25	📞	1	5
65	30-35	15	25-10-30	C12316.25.30	📞	1	5
70	30-40	15	25-10-35	C12316.25.35	📞	1	5
75	30-45	15	25-10-40	C12316.25.40	📞	1	5
80	30-50	15	25-10-45	C12316.25.45	📞	1	5
90	30-60	15	25-10-55	C12316.25.55	📞	1	5
100	30-70	15	25-10-65	C12316.25.65	📞	1	5

63 mm tang Special finishes on request *

EXTRA CHARGE

Enam. polished	C12310.xx.xx	📞	1	5
----------------	--------------	---	---	---

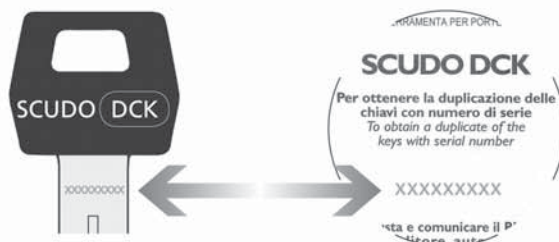
* Only visible surfaces are polished



Scudo DCK Key duplication

HOW TO OBTAIN A DUPLICATION OF THE PATENTED SCUDO DCK KEY

- 1 Take one of the envelopes with the PIN codes provided with the cylinder. For the first request use the envelope no 1, for the second the envelope no 2 and so on. Check that the serial number on the envelope is the same as the one on the key to be duplicated.



- 2 Give the envelope to your trusty Dealer, specifying the desired number of duplicates.



- 3 The Dealer will send to AGB the duplication request together with the PIN code and the serial number, using the proper form at the end of this chapter.



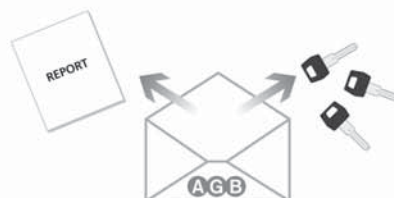
- 4 AGB will check that the PIN code is valid and that it has never been used before: if yes, AGB will make the key duplicates and will deliver them to the Dealer within a sealed envelope.



- 5 The sealed envelope containing the keys will be handed over to you by the Dealer.



- 6 Within the envelope you will find the key duplicates and the duplication Report, with the data of all the duplications made since the cylinder has been purchased.





Application form for Scudo DCK cylinders duplicate keys



ALBAN GIACOMO S.p.A.
Via A. De Gasperi, 75
36060 Romano D'Ezzelino
(VI) Italy

Tel.+ 39 0424832832
Fax+39 0424832885
Internet: <http://www.agb.it>
E-mail: info@agb.it

APPLICATION FORM FOR SCUDO DCK CYLINDERS DUPLICATE KEYS		
Customer: _____		Date ____ / ____ / ____
Address: _____		Applicant Ref.
Tel: _____		
Cylinder serial Number	PIN code	No. of required duplicates
-----	-----	

INSERT PIN DATA REQUIRED ON THE SPACES BELOW:

SERIAL NUMBER

PIN CODE

WARNING FOR DEALERS

Use this application form to request Scudo DCK cylinders key duplicates to Alban Giacomo S.p.A.. Fill in the form in every part, copy serial number and PIN code, and paste the two faces of the envelope on the proper spaces.

Issue the original copy to the customer and fax a copy to Alban Giacomo S.p.A.
Alban Giacomo S.p.A. declines responsibilities for any problem due to wrong drawing up of this form or to the inobservance of the above mentioned instructions, as well as an improper use of the new duplicates.

Dealer signature, for acceptance _____



Mod. Scudo 9000



Key - Key

MATT NICKEL PLATED

60	30-30	17	25-10-25	C90016.25.25	5	50
65	30-35	17	25-10-30	C90016.25.30	5	50
66	33-33	17	28-10-28	C90016.28.28	5	50
70	30-40	17	25-10-35	C90016.25.35	5	50
	35-35	17	30-10-30	C90016.30.30	5	50
75	30-45	17	25-10-40	C90016.25.40	5	50
	35-40	17	30-10-35	C90016.30.35	5	50
76	38-38	17	33-10-33	C90016.33.33	5	50
80	30-50	17	25-10-45	C90016.25.45	5	50
	35-45	17	30-10-40	C90016.30.40	5	50
	40-40	17	35-10-35	C90016.35.35	5	50
85	30-55	17	25-10-50	C90016.25.50	5	50
	35-50	17	30-10-45	C90016.30.45	5	50
	40-45	17	35-10-40	C90016.35.40	5	50
90	30-60	17	25-10-55	C90016.25.55	5	50
	35-55	17	30-10-50	C90016.30.50	5	50
	40-50	17	35-10-45	C90016.35.45	5	50
	45-45	17	40-10-40	C90016.40.40	5	50
95	30-65	17	25-10-60	C90016.25.60	5	50
	35-60	17	30-10-55	C90016.30.55	5	50
	40-55	17	35-10-50	C90016.35.50	5	50
	45-50	17	40-10-45	C90016.40.45	5	50
100	30-70	17	25-10-65	C90016.25.65	5	50
	40-60	17	35-10-55	C90016.35.55	5	50
	45-55	17	40-10-50	C90016.40.50	5	50
	50-50	17	45-10-45	C90016.45.45	5	50
110	30-80	17	25-10-75	C90016.25.75	5	50
	40-70	17	35-10-65	C90016.35.65	5	50
	45-65	17	40-10-60	C90016.40.60	5	50
115	45-70	17	40-10-65	C90016.40.65	5	50
120	40-80	17	35-10-75	C90016.35.75	5	50
	45-75	17	40-10-70	C90016.40.70	5	50
	55-65	17	50-10-60	C90016.50.60	5	50
	60-60	17	55-10-55	C90016.55.55	5	50

Key - Key Special finishes on request *

EXTRA CHARGE

Enam. polished	C90010.xx.xx	☎	5	50
Brass nickel plated	C90006.xx.xx	☎	5	50

* Only visible surfaces are polished



Half cylinders

MATT NICKEL PLATED

40	10-30	17	05-10-25	C93016.05.25	5	50
45	10-35	17	05-10-30	C93016.05.30	5	50
50	10-40	17	05-10-35	C93016.05.35	5	50
55	10-45	17	05-10-40	C93016.05.40	5	50
60	10-50	17	05-10-45	C93016.05.45	5	50
65	10-55	17	05-10-50	C93016.05.50	5	50
70	10-60	17	05-10-55	C93016.05.55	☎	5 50
80	10-70	17	05-10-65	C93016.05.65	☎	5 50
90	10-80	17	05-10-75	C93016.05.75	☎	5 50

Half cylinders - Special finishes on request *

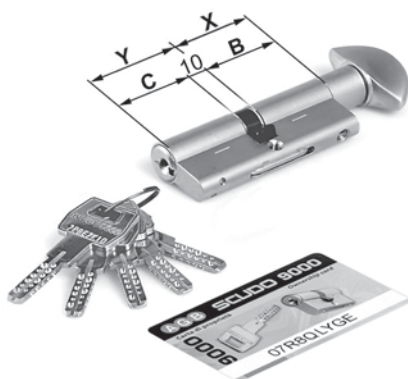
EXTRA CHARGE

Enam. polished	C93010.xx.xx	☎	5	50
Brass nickel plated	C93006.xx.xx	☎	5	50

* Only visible surfaces are polished



Mod. Scudo 9000



Knob - Key

MATT NICKEL PLATED

60	30-30	17	25-10-25	C92016.25.25	1	50
65	30-35	17	25-10-30	C92016.25.30	1	50
	35-30	17	30-10-25	C92016.30.25	1	50
66	33-33	17	28-10-28	C92016.28.28	1	50
70	30-40	17	25-10-35	C92016.25.35	1	50
	35-35	17	30-10-30	C92016.30.30	1	50
	40-30	17	35-10-25	C92016.35.25	1	50
75	30-45	17	25-10-40	C92016.25.40	1	50
	35-40	17	30-10-35	C92016.30.35	1	50
	40-35	17	35-10-30	C92016.35.30	1	50
	45-30	17	40-10-25	C92016.40.25	1	50
80	30-50	17	25-10-45	C92016.25.45	1	50
	35-45	17	30-10-40	C92016.30.40	1	50
	40-40	17	35-10-35	C92016.35.35	1	50
	45-35	17	40-10-30	C92016.40.30	1	50
	50-30	17	45-10-25	C92016.45.25	1	50
85	30-55	17	25-10-50	C92016.25.50	1	50
	35-50	17	30-10-45	C92016.30.45	1	50
	40-45	17	35-10-40	C92016.35.40	1	50
	45-40	17	40-10-35	C92016.40.35	1	50
	50-35	17	45-10-30	C92016.45.30	1	50
90	30-60	17	25-10-55	C92016.25.55	1	50
	40-50	17	35-10-45	C92016.35.45	1	50
	45-45	17	40-10-40	C92016.40.40	1	50
	50-40	17	45-10-35	C92016.45.35	1	50
	55-35	17	50-10-30	C92016.50.30	☎	50
	60-30	17	55-10-25	C92016.55.25	1	50
95	35-60	17	30-10-55	C92016.30.55	☎	50
	40-55	17	35-10-50	C92016.35.50	1	50
	45-50	17	40-10-45	C92016.40.45	1	50
100	30-70	17	25-10-65	C92016.25.65	1	50
	40-60	17	35-10-55	C92016.35.55	1	50
	45-55	17	40-10-50	C92016.40.50	☎	50
	50-50	17	45-10-45	C92016.45.45	1	50
	55-45	17	50-10-40	C92016.50.40	1	50
	60-40	17	55-10-35	C92016.55.35	1	50
	70-30	17	65-10-25	C92016.65.25	1	50
105	35-70	17	30-10-65	C92016.30.65	☎	50
	45-60	17	40-10-55	C92016.40.55	☎	50
	60-45	17	55-10-40	C92016.55.40	1	50
110	30-80	17	25-10-75	C92016.25.75	1	50
	35-75	17	30-10-70	C92016.30.70	1	50
	80-30	17	75-10-25	C92016.75.25	1	50
115	45-70	17	40-10-65	C92016.40.65	1	50
120	45-75	17	40-10-70	C92016.40.70	1	50
	55-65	17	50-10-60	C92016.50.60	1	50
	65-55	17	60-10-50	C92016.60.50	1	50
	75-45	17	70-10-40	C92016.70.40	1	50

Knob - Key Special finishes on request *

EXTRA CHARGE

Enam. polished	C92010.xx.xx	☎	1	50
Brass nickel plated	C92006.xx.xx	☎	1	50

* Only visible surfaces are polished



Mod. Scudo 9000



18 mm tang - Key

MATT NICKEL PLATED

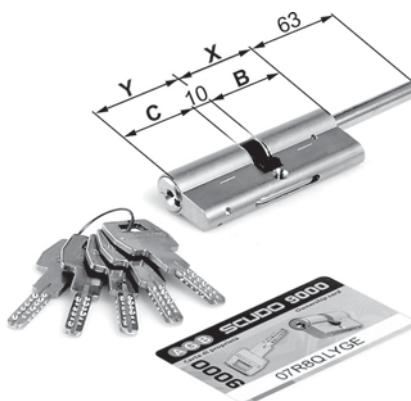
60	30-30	17	25-10-25	C92416.25.25	📞	5	50
65	30-35	17	25-10-30	C92416.25.30	📞	5	50
	35-30	17	30-10-25	C92416.30.25	📞	5	50
70	30-40	17	25-10-35	C92416.25.35	📞	5	50
	35-35	17	30-10-30	C92416.30.30	📞	5	50
	40-30	17	35-10-25	C92416.35.25	📞	5	50
75	30-45	17	25-10-40	C92416.25.40	📞	5	50
	35-40	17	30-10-35	C92416.30.35	📞	5	50
	40-35	17	35-10-30	C92416.35.30	📞	5	50
	45-30	17	40-10-25	C92416.40.25	📞	5	50
80	30-50	17	25-10-45	C92416.25.45	📞	5	50
	35-45	17	30-10-40	C92416.30.40	📞	5	50
	40-40	17	35-10-35	C92416.35.35	📞	5	50
	45-35	17	40-10-30	C92416.40.30	📞	5	50
	50-30	17	45-10-25	C92416.45.25	📞	5	50
85	35-50	17	30-10-45	C92416.30.45	📞	5	50
	40-45	17	35-10-40	C92416.35.40	📞	5	50
	45-40	17	40-10-35	C92416.40.35	📞	5	50
	50-35	17	45-10-30	C92416.45.30	📞	5	50
90	30-60	17	25-10-55	C92416.25.55	📞	5	50
	40-50	17	35-10-45	C92416.35.45	📞	5	50
	50-40	17	45-10-35	C92416.45.35	📞	5	50
	45-45	17	40-10-40	C92416.40.40	📞	5	50
100	45-55	17	40-10-50	C92416.40.50	📞	5	50
	50-50	17	45-10-45	C92416.45.45	📞	5	50
115	45-70	17	40-10-65	C92416.40.65	📞	5	50

18 mm tang Special finishes on request *

EXTRA CHARGE

Enam. polished	C92410.xx.xx	📞	5	50
Brass nickel plated	C92406.xx.xx	📞	5	50

* Only visible surfaces are polished



63 mm tang - Key

MATT NICKEL PLATED

60	30-30	17	25-10-25	C92316.25.25	📞	5	50
65	30-35	17	25-10-30	C92316.25.30	📞	5	50
70	30-40	17	25-10-35	C92316.25.35	📞	5	50
75	30-45	17	25-10-40	C92316.25.40	📞	5	50
80	30-50	17	25-10-45	C92316.25.45	📞	5	50
90	30-60	17	25-10-55	C92316.25.55	📞	5	50
100	30-70	17	25-10-65	C92316.25.65	📞	5	50

63 mm tang Special finishes on request *

EXTRA CHARGE

Enam. polished	C92310.xx.xx	📞	5	50
Brass nickel plated	C92306.xx.xx	📞	5	50

* Only visible surfaces are polished



Application form for Scudo 9000 cylinders duplicate keys



ALBAN GIACOMO S.p.A.
Via A. De Gasperi, 75
36060 Romano d'Ezzelino
(VI) ITALY

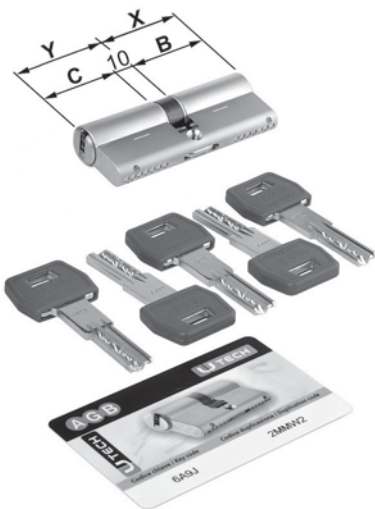
Phone 0424/832832
Fax 0424/832885
Internet: <http://www.agb.it>
E-mail: info@agb.it

APPLICATION FORM FOR SCUDO 9000 DUPLICATE KEYS		
Client	Required delivey date	
Phone	Applicant ref.	
Product code (to put on the label)	CODE OF THE KEY TO DUPLICATE (COPY OF THE OWNER'S CARD)	Pcs
	PUT HERE A COPY OF THE OWNER'S CARD	
WARNING! Write DOWN HERE the alpha-numeric code printed on the card, clearly distinguishing letters form numbers (pay attention to number zero Ø distinguishing it from O; 5 from S; 2 from Z; 1 from l etc.)		
CODE:		
Warning for dealers Use this application form in order to require SCUDO 9000 duplicate keys to Alban Giacomo SpA The dealer MUST accept SCUDO 9000 key duplication <u>only after the applicant has shown the owner's card.</u> Fill in this form, reporting the code printed on the owner's card and send it to Alban Giacomo SpA. <u>Alban Giacomo S.p.A. declines responsibilities for any problem due to wrong drawing up of this form ot to the inobservance of the above mentioned instructions, as well as an improper use of the new duplicates.</u>		
Dealer signature, for acceptance _____		

SECTION RESERVED TO AGB PERSONNEL		
Richiedente	Data Ricezione Ordine	N° Ordine
Codice Cliente	Cliente	
Consegnata al Resp.Produzione ____ / ____ / ____		RGO



Mod. U-Tech



Key - Key double function

MATT NICKEL PLATED

60	30-30	6	25-10-25	C30016.25.25	1	10
65	30-35	6	25-10-30	C30016.25.30	1	10
70	30-40	6	25-10-35	C30016.25.35	1	10
	35-35	6	30-10-30	C30016.30.30	1	10
75	30-45	6	25-10-40	C30016.25.40	1	10
	35-40	6	30-10-35	C30016.30.35	1	10
76	38-38	6	33-10-33	C30016.33.33	1	10
80	30-50	6	25-10-45	C30016.25.45	1	10
	35-45	6	30-10-40	C30016.30.40	1	10
	40-40	6	35-10-35	C30016.35.35	1	10
85	30-55	6	25-10-50	C30016.25.50	1	10
	35-50	6	30-10-45	C30016.30.45	1	10
	40-45	6	35-10-40	C30016.35.40	1	10
90	30-60	6	25-10-55	C30016.25.55	1	10
	35-55	6	30-10-50	C30016.30.50	1	10
	40-50	6	35-10-45	C30016.35.45	1	10
	45-45	6	40-10-40	C30016.40.40	1	10
95	35-60	6	30-10-55	C30016.30.55	1	10
	40-55	6	35-10-50	C30016.35.50	1	10
	45-50	6	40-10-45	C30016.40.45	1	10
100	30-70	6	25-10-65	C30016.25.65	1	10
	35-65	6	30-10-60	C30016.30.60	1	10
	40-60	6	35-10-55	C30016.35.55	1	10
	45-55	6	40-10-50	C30016.40.50	1	10
	50-50	6	45-10-45	C30016.45.45	1	10
110	30-80	6	25-10-75	C30016.25.75	1	10
	35-75	6	30-10-70	C30016.30.70	1	10
	40-70	6	35-10-65	C30016.35.65	1	10
	45-65	6	40-10-60	C30016.40.60	1	10
	50-60	6	45-10-55	C30016.45.55	1	10
115	45-70	6	40-10-65	C30016.40.65	1	10
120	40-80	6	35-10-75	C30016.35.75	1	10
	60-60	6	55-10-55	C30016.55.55	1	10

Key - Key double function special finishes on request *

EXTRA CHARGE

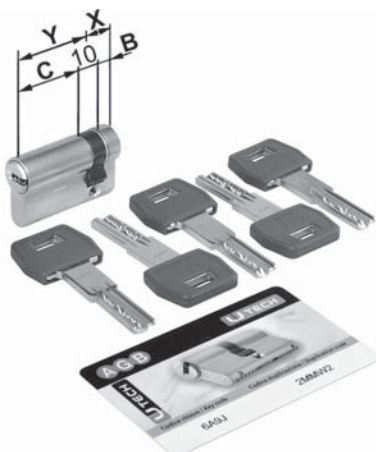
Enam. brass plated	C30010.xx.xx	☎	1	10
Brass plain without extra charge	C30001.xx.xx	☎	1	10

* Only visible surfaces are polished



Key - Key box mixed assortment

	C30016.00.01	☎	1	1
Components: C30016.25.35 pz 2				
C30016.30.40 pz 2				
C30016.35.35 pz 2				
C30016.35.40 pz 2				
C30016.35.45 pz 2				



Half cylinders

MATT NICKEL PLATED

10-30	6	05-10-25	C33016.05.25	1	10	
10-35	6	05-10-30	C33016.05.30	1	10	
10-40	6	05-10-35	C33016.05.35	☎	1	10
10-45	6	05-10-40	C33016.05.40	☎	1	10
10-50	6	05-10-45	C33016.05.45	☎	1	10
10-55	6	05-10-50	C33016.05.50	☎	1	10
10-60	6	05-10-55	C33016.05.55	☎	1	10



Mod. U-Tech



Knob - Key

MATT NICKEL PLATED

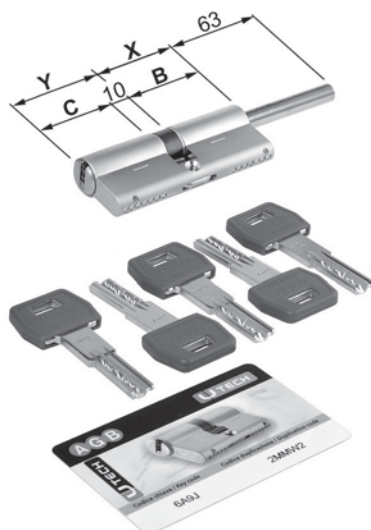
60	30-30	6	25-10-25	C32016.25.25	1	10
65	30-35	6	25-10-30	C32016.25.30	1	10
	35-30	6	30-10-25	C32016.30.25	1	10
70	30-40	6	25-10-35	C32016.25.35	1	10
	35-35	6	30-10-30	C32016.30.30	1	10
	40-30	6	35-10-25	C32016.35.25	1	10
75	30-45	6	25-10-40	C32016.25.40	1	10
	35-40	6	30-10-35	C32016.30.35	1	10
	40-35	6	35-10-30	C32016.35.30	1	10
	45-30	6	40-10-25	C32016.40.25	☎	1 10
80	30-50	6	25-10-45	C32016.25.45	1	10
	35-45	6	30-10-40	C32016.30.40	1	10
	40-40	6	35-10-35	C32016.35.35	1	10
	45-35	6	40-10-30	C32016.40.30	1	10
	50-30	6	45-10-25	C32016.45.25	☎	1 10
85	40-45	6	35-10-40	C32016.35.40	1	10
	45-40	6	40-10-35	C32016.40.35	1	10
	55-35	6	45-10-30	C32016.45.30	☎	1 10
90	30-60	6	25-10-55	C32016.25.55	1	10
	40-50	6	35-10-45	C32016.35.45	1	10
	45-45	6	40-10-40	C32016.40.40	1	10
90	50-40	6	45-10-35	C32016.45.35	1	10
	60-30	6	55-10-25	C32016.55.25	☎	1 10
95	40-55	6	35-10-50	C32016.35.50	1	10
	55-40	6	50-10-35	C32016.50.35	1	10
100	30-70	6	25-10-65	C32016.25.65	☎	1 10
	45-55	6	40-10-50	C32016.40.50	☎	1 10
	50-50	6	45-10-45	C32016.45.45	☎	1 10
	55-45	6	50-10-40	C32016.50.40	1	10
	60-40	6	55-10-35	C32016.55.35	☎	1 10
110	50-60	6	45-10-55	C32016.45.55	1	10
120	55-65	6	50-10-60	C32016.50.60	1	10
	65-55	6	60-10-50	C32016.60.50	☎	1 10

Knob - Key Special finishes on request *

EXTRA CHARGE

Enam. brass plated	C32010.xx.xx	☎	1	10
Brass plain without extra charge	C32001.xx.xx	☎	1	10

* Only visible surfaces are polished



63 mm tang - Key

MATT NICKEL PLATED

60	30-30	6	25-10-25	C32316.25.25	☎	1	10
65	30-35	6	25-10-30	C32316.25.30	☎	1	10
70	30-40	6	25-10-35	C32316.25.35	☎	1	10
75	30-45	6	25-10-40	C32316.25.40	☎	1	10
80	30-50	6	25-10-45	C32316.25.45	☎	1	10
90	30-60	6	25-10-55	C32316.25.55	☎	1	10
100	30-70	6	25-10-65	C32316.25.65	☎	1	10

63 mm tang Special finishes on request *

EXTRA CHARGE

Enam. polished	C32310.xx.xx	☎	5	50
Brass plain without extra charge	C32301.xx.xx	☎	5	50

* Only visible surfaces are polished



Application form for U-Tech cylinders duplicate keys



ALBAN GIACOMO S.p.A.
Via A. De Gasperi, 75
36060 Romano d'Ezzelino
(VI) ITALY

Telephone +390424/832832
Fax +390424/832885
Internet: <http://www.agb.it>
E-mail: info@agb.it

APPLICATION FORM FOR U-TECH DUPLICATE KEYS								
Customer					Required delivery date			
					Ref. applicant			
Article code (to put on the label)	CODE OF THE KEY TO DUPLICATE (copy OF THE DUPLICATION CARD)						PCS	
	PUT HERE A COPY OF THE DUPLUCATION CARD							
WARNING! Write DOWN HERE the alpha-numeric code printed on the card, clearly distinguishing letters form numbers (pay attention to number zero Ø distinguishing it from O; 5 from S; 2 from Z; 1 from I etc.)								
KEY CODE				DUPLICATION CODE				
<p><u>Warning for dealers</u></p> <p>Use this application form in order to require UTECH duplicate keys to Alban Giacomo SpA The dealer MUST accept UTECH key duplication <u>only</u> after the applicant has shown the owner's card. Fill in this form, reporting the code printed on the owner's card and send it to Alban Giacomo SpA. <u>Alban Giacomo S.p.A. declines responsibilities for any problem due to wrong drawing up of this form ot to the inobservance of the above mentioned instructions, as well as an improper use of the new duplicates.</u></p> <p style="text-align: center;">Dealer signature, for acceptance _____</p> <p>N.B. As soon as the duplicates will be available, they will be delivered to the applier via express currier.</p>								

SECTION RESERVED TO AGB PERSONNEL		
Richiedente	Data Ricezione Ordine	N° Ordine
Codice Cliente	Cliente	
Consegnata al Resp.Produzione ____ / ____ / ____		RGO



Mod. Scudo 5000



Key - Key double function

MATT NICKEL PLATED

60	30-30	6	25-10-25	C40016.25.25	📞	1	10
65	30-35	6	25-10-30	C40016.25.30	📞	1	10
70	30-40	6	25-10-35	C40016.25.35	📞	1	10
	35-35	6	30-10-30	C40016.30.30	📞	1	10
75	30-45	6	25-10-40	C40016.25.40	📞	1	10
	35-40	6	30-10-35	C40016.30.35	📞	1	10
76	38-38	6	33-10-33	C40016.33.33	📞	1	10
80	30-50	6	25-10-45	C40016.25.45	📞	1	10
	35-45	6	30-10-40	C40016.30.40	📞	1	10
	40-40	6	35-10-35	C40016.35.35	📞	1	10
85	30-55	6	25-10-50	C40016.25.50	📞	1	10
	35-50	6	30-10-45	C40016.30.45	📞	1	10
	40-45	6	35-10-40	C40016.35.40	📞	1	10
90	30-60	6	25-10-55	C40016.25.55	📞	1	10
	35-55	6	30-10-50	C40016.30.50	📞	1	10
	40-50	6	35-10-45	C40016.35.45	📞	1	10
	45-45	6	40-10-40	C40016.40.40	📞	1	10
95	35-60	6	30-10-55	C40016.30.55	📞	1	10
	40-55	6	35-10-50	C40016.35.50	📞	1	10
	45-50	6	40-10-45	C40016.40.45	📞	1	10
100	40-60	6	35-10-55	C40016.35.55	📞	1	10
	45-55	6	40-10-50	C40016.40.50	📞	1	10
	30-70	6	25-10-65	C40016.25.65	📞	1	10
	50-50	6	45-10-45	C40016.45.45	📞	1	10
110	30-80	6	25-10-75	C40016.25.75	📞	1	10
	35-75	6	30-10-70	C40016.30.70	📞	1	10
	45-65	6	40-10-60	C40016.40.60	📞	1	10
	50-60	6	45-10-55	C40016.45.55	📞	1	10
115	45-70	6	40-10-65	C40016.40.65	📞	1	10
120	40-80	6	35-10-75	C40016.35.75	📞	1	10
	60-60	6	55-10-55	C40016.55.55	📞	1	10

Key - Key double function special finishes on request *

EXTRA CHARGE

Enam. polished	C40010.xx.xx	📞	1	10
Brass plain without extra charge	C40001.xx.xx	📞	1	10

* Only visible surfaces are polished



Key - key with free rotation for motorized locks

EXTRA CHARGE

● C479xx.xx.xx	📞	1	10
----------------	---	---	----



Mod. Scudo 5000



Key - Key

MATT NICKEL PLATED

54	27-27	6	22-10-22	C50016.22.22	1	10
60	27-33	6	22-10-28	C50016.22.28	1	10
	30-30	7	25-10-25	C50016.25.25	1	10
64	27-37	6	22-10-32	C50016.22.32	1	10
65	30-35	7	25-10-30	C50016.25.30	1	10
66	33-33	7	28-10-28	C50016.28.28	1	10
70	27-43	6	22-10-38	C50016.22.38	1	10
	30-40	7	25-10-35	C50016.25.35	1	10
	35-35	7	30-10-30	C50016.30.30	1	10
75	30-45	7	25-10-40	C50016.25.40	1	10
	35-40	7	30-10-35	C50016.30.35	1	10
76	38-38	7	33-10-33	C50016.33.33	1	10
80	27-53	6	22-10-48	C50016.22.48	1	10
	30-50	7	25-10-45	C50016.25.45	1	10
	35-45	7	30-10-40	C50016.30.40	1	10
	40-40	7	35-10-35	C50016.35.35	1	10
85	30-55	7	25-10-50	C50016.25.50	1	10
	35-50	7	30-10-45	C50016.30.45	1	10
	40-45	7	35-10-40	C50016.35.40	1	10
90	30-60	7	25-10-55	C50016.25.55	1	10
	35-55	7	30-10-50	C50016.30.50	1	10
	40-50	7	35-10-45	C50016.35.45	1	10
	45-45	7	40-10-40	C50016.40.40	1	10
95	35-60	7	30-10-55	C50016.30.55	1	10
	40-55	7	35-10-50	C50016.35.50	1	10
	45-50	7	40-10-45	C50016.40.45	1	10
100	30-70	7	25-10-65	C50016.25.65	1	10
	35-65	7	30-10-60	C50016.30.60	1	10
	40-60	7	35-10-55	C50016.35.55	1	10
	45-55	7	40-10-50	C50016.40.50	1	10
	50-50	7	45-10-45	C50016.45.45	1	10
105	45-60	7	40-10-55	C50016.40.55	☎	1 10
	50-55	7	45-10-50	C50016.45.50	1	10
110	30-80	7	25-10-75	C50016.25.75	1	10
	35-75	7	30-10-70	C50016.30.70	1	10
	40-70	7	35-10-65	C50016.35.65	1	10
	45-65	7	40-10-60	C50016.40.60	1	10
	50-60	7	45-10-55	C50016.45.55	1	10
115	45-70	7	40-10-65	C50016.40.65	1	10
120	40-80	7	35-10-75	C50016.35.75	1	10
	60-60	7	55-10-55	C50016.55.55	1	10

Key - Key Special finishes on request *

EXTRA CHARGE

Enam. polished	C50010.xx.xx	☎	1	10
Brass plain without extra charge	C50001.xx.xx	☎	1	10

* Only visible surfaces are polished



Half cylinders

MATT NICKEL PLATED

37	10-27	6	05-10-22	C53016.05.22	1	10
40	10-30	7	05-10-25	C53016.05.25	1	10
45	10-35	7	05-10-30	C53016.05.30	1	10
50	10-40	7	05-10-35	C53016.05.35	1	10
55	10-45	7	05-10-40	C53016.05.40	1	10
60	10-50	7	05-10-45	C53016.05.45	1	10
65	10-55	7	05-10-50	C53016.05.50	☎	1 10
70	10-60	7	05-10-55	C53016.05.55	☎	1 10
80	10-70	7	05-10-65	C53016.05.65	☎	1 10
90	10-80	7	05-10-75	C53016.05.75	☎	1 10

Half cylinders - Special finishes on request *

EXTRA CHARGE

Enam. polished	C53010.xx.xx	☎	1	10
Brass plain without extra charge	C53001.xx.xx	☎	1	10

* Only visible surfaces are polished



Mod. Scudo 5000



Half cylinders 8 positions

MATT NICKEL PLATED

10-27	7	05-10-22	C56016.05.22	📞	1	10
10-30	7	05-10-25	C56016.05.25	📞	1	10
10-35	7	05-10-30	C56016.05.30	📞	1	10
10-40	7	05-10-35	C56016.05.35	📞	1	10
10-45	7	05-10-40	C56016.05.40	📞	1	10
10-50	7	05-10-45	C56016.05.45	📞	1	10
10-55	7	05-10-50	C56016.05.50	📞	1	10
10-60	7	05-10-55	C56016.05.55	📞	1	10
10-70	7	05-10-65	C56016.05.65	📞	1	10
10-80	7	05-10-75	C56016.05.75	📞	1	10

Half cylinders 8 positions - Special finishes on request *

EXTRA CHARGE

Enam. polished	C56010.xx.xx	1	10
Brass plain without extra charge	C56001.xx.xx	1	10

* Only visible surfaces are polished



Half cylinders with free rotation for motorized locks

EXTRA CHARGE

● C488xx.xx.xx	📞	1	10
----------------	---	---	----

* Only visible surfaces are polished



Mod. Scudo 5000



Knob - Key

MATT NICKEL PLATED

60	27-33	6	22-10-28	C52016.22.28	1	10
	30-30	7	25-10-25	C52016.25.25	1	10
	33-27	6	28-10-22	C52016.28.22	1	10
65	30-35	7	25-10-30	C52016.25.30	1	10
	35-30	7	30-10-25	C52016.30.25	1	10
70	30-40	7	25-10-35	C52016.25.35	1	10
	35-35	7	30-10-30	C52016.30.30	1	10
	40-30	7	35-10-25	C52016.35.25	1	10
75	30-45	7	25-10-40	C52016.25.40	1	10
	35-40	7	30-10-35	C52016.30.35	1	10
	40-35	7	35-10-30	C52016.35.30	1	10
	45-30	7	40-10-25	C52016.40.25	1	10
80	30-50	7	25-10-45	C52016.25.45	1	10
	35-45	7	30-10-40	C52016.30.40	1	10
	40-40	7	35-10-35	C52016.35.35	1	10
	45-35	7	40-10-30	C52016.40.30	1	10
	50-30	7	45-10-25	C52016.45.25	1	10
85	30-55	7	25-10-50	C52016.25.50	1	10
	40-45	7	35-10-40	C52016.35.40	1	10
	45-40	7	40-10-35	C52016.40.35	1	10
90	30-60	7	25-10-55	C52016.25.55	1	10
	40-50	7	35-10-45	C52016.35.45	1	10
	45-45	7	40-10-40	C52016.40.40	1	10
	50-40	7	45-10-35	C52016.45.35	1	10
	55-35	7	50-10-30	C52016.50.30	☎	10
	60-30	7	55-10-25	C52016.55.25	1	10
95	40-55	7	35-10-50	C52016.35.50	1	10
100	30-70	7	25-10-65	C52016.25.65	1	10
	50-50	7	45-10-45	C52016.45.45	1	10
	45-55	7	40-10-50	C52016.40.50	1	10
110	35-75	7	30-10-70	C52016.30.70	1	10
115	45-70	7	40-10-65	C52016.40.65	1	10
120	55-65	7	50-10-60	C52016.50.60	1	10
	60-60	7	55-10-55	C52016.55.55	☎	10
	65-55	7	60-10-50	C52016.60.50	1	10

Knob - Key Special finishes on request *

EXTRA CHARGE

Enam. polished	C52010.xx.xx	☎	1	10
Brass plain without extra charge	C52001.xx.xx	☎	1	10

* Only visible surfaces are polished



Mod. Scudo 5000



18 mm tang - Key

MATT NICKEL PLATED

60	30-30	7	25-10-25	C52416.25.25	📞	1	10
65	30-35	7	25-10-30	C52416.25.30	📞	1	10
	35-30	7	30-10-25	C52416.30.25	📞	1	10
70	30-40	7	25-10-35	C52416.25.35	📞	1	10
	35-35	7	30-10-30	C52416.30.30	📞	1	10
	40-30	7	35-10-25	C52416.35.25	📞	1	10
75	30-45	7	25-10-40	C52416.25.40	📞	1	10
	35-40	7	30-10-35	C52416.30.35	📞	1	10
	45-30	7	40-10-25	C52416.40.25	📞	1	10
80	30-50	7	25-10-45	C52416.25.45	📞	1	10
	35-45	7	30-10-40	C52416.30.40	📞	1	10
	40-40	7	35-10-35	C52416.35.35	📞	1	10
	45-35	7	40-10-30	C52416.40.30	📞	1	10
	50-30	7	45-10-25	C52416.45.25	📞	1	10
85	40-45	7	35-10-40	C52416.35.40	📞	1	10
	45-40	7	40-10-35	C52416.40.35	📞	1	10
90	40-50	7	35-10-45	C52416.35.45	📞	1	10
	50-40	7	45-10-35	C52416.45.35	📞	1	10
	45-45	7	40-10-40	C52416.40.40	📞	1	10
100	50-50	7	45-10-45	C52416.45.45	📞	1	10
105	45-60	7	40-10-55	C52416.40.55	📞	1	10
115	45-70	7	40-10-65	C52416.40.65	📞	1	10

18 mm tang Special finishes on request *

EXTRA CHARGE

Enam. polished	C52410.xx.xx	📞	1	10
Brass plain without extra charge	C52401.xx.xx	📞	1	10

* Only visible surfaces are polished



63 mm tang - Key

MATT NICKEL PLATED

60	30-30	7	25-10-25	C52316.25.25	📞	1	10
65	30-35	7	25-10-30	C52316.25.30	📞	1	10
70	30-40	7	25-10-35	C52316.25.35	📞	1	10
	35-35	7	30-10-30	C52316.30.30	📞	1	10
75	30-45	7	25-10-40	C52316.25.40	📞	1	10
80	30-50	7	25-10-45	C52316.25.45	📞	1	10
85	45-40	7	40-10-35	C52316.40.35	📞	1	10
90	30-60	7	25-10-55	C52316.25.55	📞	1	10
100	30-70	7	25-10-65	C52316.25.65	📞	1	10

63 mm tang Special finishes on request *

EXTRA CHARGE

Enam. polished	C52310.xx.xx	📞	1	10
Brass plain without extra charge	C52301.xx.xx	📞	1	10

* Only visible surfaces are polished



Application form for Scudo 5000 cylinders duplicate keys



ALBAN GIACOMO S.p.A.
Via A. De Gasperi, 75
36060 Romano D'Ezzelino
(VI) Italy

Telephone +39 0424 832832
Fax +39 0424 832885
Internet: <http://www.agb.it>
E-mail: info@agb.it

APPLICATION FORM FOR SCUDO 5000 CYLINDERS DUPLICATE KEYS

Customer	Required delivery date
	Telephone

Customer reference (to put on the label)	CODE OF THE KEY TO DUPLICATE (written on the key's neck)	Pieces

Notes

WARNING FOR DEALERS

Use this application form to request Scudo 5000 cylinders key duplicates to Alban Giacomo S.p.A. The key could be duplicated only if the customer presents to the dealer the key to be duplicated. Fill in this form, reporting the code carved on the key's neck to be duplicated, and send it to Alban Giacomo S.p.A.

Alban Giacomo S.p.A. declines responsibilities for any problem due to wrong drawing up of this form or to the inobservance of the above mentioned instructions, as well as an improper use of the new duplicates.

Dealer signature, for acceptance _____

SECTION RESERVED TO AGB PERSONNEL

Richiedente	Data ricevimento ordine	Ordine N°
Codice Cliente	Cliente	
Consegnato al resp. produzione ____ / ____ / ____		RGO



Mod. 600



Anti-pull, Key - Key

PLAIN BRASS

54	27-27	4	22-10-22	C60301.22.22	10	100
60	27-33	4	22-10-28	C60301.22.28	10	100
	30-30	5	25-10-25	C60301.25.25	10	100
64	27-37	4	22-10-32	C60301.22.32	10	100
65	30-35	5	25-10-30	C60301.25.30	10	100
66	33-33	5	28-10-28	C60301.28.28	10	100
70	27-43	4	22-10-38	C60301.22.38	10	100
	30-40	5	25-10-35	C60301.25.35	10	100
	35-35	5	30-10-30	C60301.30.30	10	100
75	30-45	5	25-10-40	C60301.25.40	10	100
	35-40	5	30-10-35	C60301.30.35	10	100
76	38-38	5	33-10-33	C60301.33.33	10	100
80	27-53	4	22-10-48	C60301.22.48	10	100
	30-50	5	25-10-45	C60301.25.45	10	100
	35-45	5	30-10-40	C60301.30.40	10	100
	40-40	5	35-10-35	C60301.35.35	10	100
85	30-55	5	25-10-50	C60301.25.50	10	100
	35-50	5	30-10-45	C60301.30.45	10	100
	40-45	5	35-10-40	C60301.35.40	10	100
90	30-60	5	25-10-55	C60301.25.55	10	100
	35-55	5	30-10-50	C60301.30.50	10	100
	40-50	5	35-10-45	C60301.35.45	10	100
	45-45	5	40-10-40	C60301.40.40	10	100
95	40-55	5	35-10-50	C60301.35.50	10	100
	45-50	5	40-10-45	C60301.40.45	10	100
	35-60	5	30-10-55	C60301.30.55	10	100
100	45-55	5	40-10-50	C60301.40.50	10	100
	30-70	5	25-10-65	C60301.25.65	10	100
	40-60	5	35-10-55	C60301.35.55	10	100
	50-50	5	45-10-45	C60301.45.45	10	100
110	35-75	5	30-10-70	C60301.30.70	10	100
	45-65	5	40-10-60	C60301.40.60	10	100
	50-60	5	45-10-55	C60301.45.55	10	100
	30-80	5	25-10-75	C60301.25.75	10	100
115	45-70	5	40-10-65	C60301.40.65	10	100
120	40-80	5	35-10-75	C60301.35.75	10	100
	60-60	5	55-10-55	C60301.55.55	10	100

Anti-pull Key - Key Special finishes on request *

EXTRA CHARGE

Enam. polished	C60310.xx.xx	☎	10	100
Brass nickel plated	C60306.xx.xx	☎	10	100
Brass matt nickel plated	C60316.xx.xx	☎	10	100

* Only visible surfaces are polished

Anti-pull, Key - Key with ground lever

EXTRA CHARGE

Brass plain	C61901.xx.xx	☎	10	100
-------------	--------------	---	----	-----



Mod. 600



Key - Key (stock exhaustion)

PLAIN BRASS

54	27-27	4	22-10-22	C60001.22.22	10	100
60	27-33	4	22-10-28	C60001.22.28	10	100
	30-30	5	25-10-25	C60001.25.25	10	100
64	27-37	4	22-10-32	C60001.22.32	10	100
65	30-35	5	25-10-30	C60001.25.30	10	100
66	33-33	5	28-10-28	C60001.28.28	10	100
70	27-43	4	22-10-38	C60001.22.38	10	100
	30-40	5	25-10-35	C60001.25.35	10	100
	35-35	5	30-10-30	C60001.30.30	10	100
75	30-45	5	25-10-40	C60001.25.40	10	100
	35-40	5	30-10-35	C60001.30.35	10	100
76	38-38	5	33-10-33	C60001.33.33	10	100
80	27-53	4	22-10-48	C60001.22.48	10	100
	30-50	5	25-10-45	C60001.25.45	10	100
	35-45	5	30-10-40	C60001.30.40	10	100
	40-40	5	35-10-35	C60001.35.35	10	100
85	30-55	5	25-10-50	C60001.25.50	10	100
	35-50	5	30-10-45	C60001.30.45	10	100
	40-45	5	35-10-40	C60001.35.40	10	100
90	30-60	5	25-10-55	C60001.25.55	10	100
	35-55	5	30-10-50	C60001.30.50	10	100
	40-50	5	35-10-45	C60001.35.45	10	100
	45-45	5	40-10-40	C60001.40.40	10	100
95	35-60	5	30-10-55	C60001.30.55	10	100
	40-55	5	35-10-50	C60001.35.50	10	100
	45-50	5	40-10-45	C60001.40.45	10	100
100	30-70	5	25-10-65	C60001.25.65	10	100
	40-60	5	35-10-55	C60001.35.55	10	100
	45-55	5	40-10-50	C60001.40.50	10	100
	50-50	5	45-10-45	C60001.45.45	10	100
110	30-80	5	25-10-75	C60001.25.75	10	100
	35-75	5	30-10-70	C60001.30.70	10	100
	45-65	5	40-10-60	C60001.40.60	10	100
	50-60	5	45-10-55	C60001.45.55	10	100
115	45-70	5	40-10-65	C60001.40.65	10	100
120	40-80	5	35-10-75	C60001.35.75	10	100
	60-60	5	55-10-55	C60001.55.55	10	100

Key - Key with ground lever

EXTRA CHARGE

Brass plain	C61801.xx.xx	☎	10	100
-------------	--------------	---	----	-----

Half cylinders

PLAIN BRASS

37	10-27	4	5-10-22	C63001.05.22	10	100
40	10-30	5	5-10-25	C63001.05.25	10	100
45	10-35	5	5-10-30	C63001.05.30	10	100
50	10-40	5	5-10-35	C63001.05.35	10	100
55	10-45	5	5-10-40	C63001.05.40	10	100
60	10-50	5	5-10-45	C63001.05.45	10	100

Half cylinders - Special finishes on request *

EXTRA CHARGE

Enam. polished	C63010.xx.xx	☎	10	100
Brass matt nickel plated	C63016.xx.xx	☎	10	100

* Only visible surfaces are polished

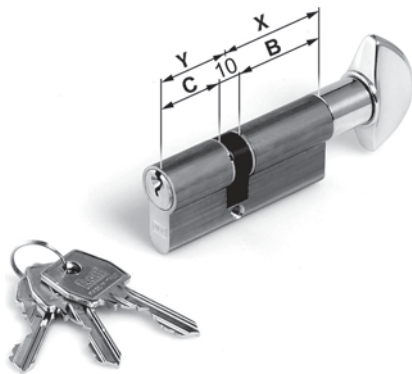
Half cylinders - With ground lever

EXTRA CHARGE

Brass plain	C63601.xx.xx	☎	10	100
-------------	--------------	---	----	-----



Mod. 600



Knob - Key
PLAIN BRASS

60	27-33	5	22-10-28	C62001.22.28	1	50
	30-30	5	25-10-25	C62001.25.25	1	50
	33-27	4	28-10-22	C62001.28.22	1	50
64	27-37	5	22-10-32	C62001.22.32	☎	1 50
65	30-35	5	25-10-30	C62001.25.30	1	50
	35-30	5	30-10-25	C62001.30.25	1	50
66	33-33	5	28-10-28	C62001.28.28	☎	1 50
70	30-40	5	25-10-35	C62001.25.35	1	50
	35-35	5	30-10-30	C62001.30.30	1	50
	40-30	5	35-10-25	C62001.35.25	1	50
75	30-45	5	25-10-40	C62001.25.40	1	50
	35-40	5	30-10-35	C62001.30.35	1	50
	40-35	5	35-10-30	C62001.35.30	1	50
	45-30	5	40-10-25	C62001.40.25	1	50
80	30-50	5	25-10-45	C62001.25.45	1	50
	35-45	5	30-10-40	C62001.30.40	1	50
	40-40	5	35-10-35	C62001.35.35	1	50
	45-35	5	40-10-30	C62001.40.30	1	50
	50-30	5	45-10-25	C62001.45.25	1	50
85	30-55	5	25-10-50	C62001.25.50	1	50
	40-45	5	35-10-40	C62001.35.40	1	50
	45-40	5	40-10-35	C62001.40.35	1	50
90	30-60	5	25-10-55	C62001.25.55	1	50
	40-50	5	35-10-45	C62001.35.45	1	50
	45-45	5	40-10-40	C62001.40.40	1	50
	50-40	5	45-10-35	C62001.45.35	☎	1 50
	60-30	5	55-10-25	C62001.55.25	1	50
95	40-55	5	35-10-50	C62001.35.50	1	50
100	30-70	5	25-10-65	C62001.25.65	1	50
	45-55	5	40-10-50	C62001.40.50	1	50
	50-50	5	45-10-45	C62001.45.45	1	50
	55-45	5	50-10-40	C62001.50.40	☎	1 50
105	30-75	5	25-10-70	C62001.25.70	☎	1 50
	45-60	5	40-10-55	C62001.40.55	☎	1 50
	60-45	5	55-10-40	C62001.55.40	☎	1 50
110	35-75	5	30-10-70	C62001.30.70	1	50
115	45-70	5	40-10-65	C62001.40.65	1	50
120	55-65	5	50-10-60	C62001.50.60	1	50
	65-55	5	60-10-50	C62001.60.50	1	50

Knob - Key Special finishes on request *

EXTRA CHARGE

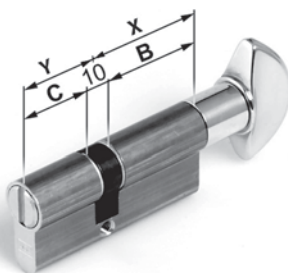
Enam. polished	C62010.xx.xx	☎	1	50
Brass nickel plated	C62006.xx.xx	☎	1	50
Brass matt nickel plated	C62016.xx.xx	☎	1	50

* Only visible surfaces are polished

Knob - Key, with ground lever

EXTRA CHARGE

Brass plain	C62601.xx.xx	☎	1	50
-------------	--------------	---	---	----



Knob - Emergency

PLAIN BRASS

60	30-30	25-10-25	C66101.25.25	☎	1	50
70	30-40	25-10-35	C66101.25.35	☎	1	50
	35-35	30-10-30	C66101.30.30	☎	1	50
	40-30	35-10-25	C66101.35.25	☎	1	50

Knob - Emergency Special finishes on request *

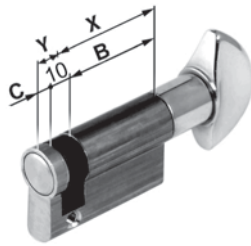
EXTRA CHARGE

Enam. polished	C66110.xx.xx	☎	1	50
Brass matt nickel plated	C66116.xx.xx	☎	1	50

* Only visible surfaces are polished



Mod. 600



Half cylinders with knob

PLAIN BRASS

40	10-30	5	25-10-5	C63101.25.05	📞	1	100
45	10-35	5	30-10-5	C63101.30.05	📞	1	100
50	10-40	5	35-10-5	C63101.35.05	📞	1	100
55	10-45	5	40-10-5	C63101.40.05	📞	1	100
60	10-50	5	45-10-5	C63101.45.05	📞	1	100

Half cylinders with knob - Special finishes on request *

EXTRA CHARGE

Enam. polished	C63110.xx.xx	📞	10	100
Brass nickel plated	C63106.xx.xx	📞	10	100
Brass matt nickel plated	C63116.xx.xx	📞	10	100

* Only visible surfaces are polished



18 mm tang - Key

PLAIN BRASS

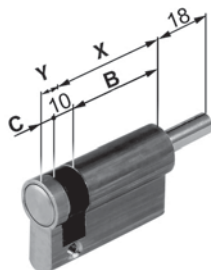
60	30-30	5	25-10-25	C62401.25.25	📞	1	50
65	30-35	5	25-10-30	C62401.25.30	📞	1	50
	35-30	5	30-10-25	C62401.30.25	📞	1	50
70	30-40	5	25-10-35	C62401.25.35	📞	1	50
	35-35	5	30-10-30	C62401.30.30	📞	1	50
	40-30	5	35-10-25	C62401.35.25	📞	1	50
75	30-45	5	25-10-40	C62401.25.40	📞	1	50
	35-40	5	30-10-35	C62401.30.35	📞	1	50
	45-30	5	40-10-25	C62401.40.25	📞	1	50
80	30-50	5	25-10-45	C62401.25.45	📞	1	50
	35-45	5	30-10-40	C62401.30.40	📞	1	50
	40-40	5	35-10-35	C62401.35.35	📞	1	50
	45-35	5	40-10-30	C62401.40.30	📞	1	50
85	50-30	5	45-10-25	C62401.45.25	📞	1	50
	35-50	5	30-10-45	C62401.30.45	📞	1	50
	40-45	5	35-10-40	C62401.35.40	📞	1	50
90	45-40	5	40-10-35	C62401.40.35	📞	1	50
	40-50	5	35-10-45	C62401.35.45	📞	1	50
	50-40	5	45-10-35	C62401.45.35	📞	1	50
100	45-45	5	40-10-40	C62401.40.40	📞	1	50
	50-50	5	45-10-45	C62401.45.45	📞	1	50
105	30-75	5	25-10-70	C62401.25.70	📞	1	50
	45-60	5	40-10-55	C62401.40.55	📞	1	50
115	45-70	5	40-10-65	C62401.40.65	📞	1	50

18 mm tang Special finishes on request *

EXTRA CHARGE

Enam. polished	C62410.xx.xx	📞	1	50
Brass matt nickel plated	C62416.xx.xx	📞	1	50

* Only visible surfaces are polished



Half cylinders with 18 mm tang

PLAIN BRASS

40	30-10		25-10-05	C62701.25.05	📞	1	50
45	35-10		30-10-05	C62701.30.05	📞	1	50
50	40-10		35-10-05	C62701.35.05	📞	1	50
55	45-10		40-10-05	C62701.40.05	📞	1	50
60	50-10		45-10-05	C62701.45.05	📞	1	50

Half cylinders with 18 mm tang - Special finishes on request *

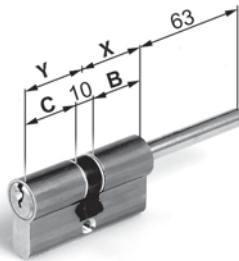
EXTRA CHARGE

Enam. polished	C62710.xx.xx	📞	1	50
Brass matt nickel plated	C62716.xx.xx	📞	1	50

Only visible surfaces are polished



Mod. 600



63 mm tang - Key

PLAIN BRASS

60	30-30	5	25-10-25	C62301.25.25	📞	1	50
65	30-35	5	25-10-30	C62301.25.30	📞	1	50
70	30-40	5	25-10-35	C62301.25.35	📞	1	50

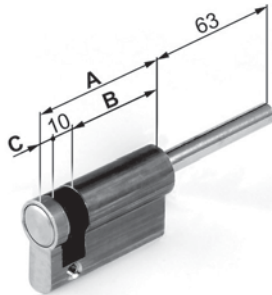


63 mm tang Special finishes on request *

EXTRA CHARGE

Enam. polished	C62310.xx.xx	📞	1	50
Brass matt nickel plated	C62316.xx.xx	📞	1	50

* Only visible surfaces are polished



Half cylinders with 63 mm tang

PLAIN BRASS

40	30-10	25-10-05	C62501.25.05	📞	1	50
----	-------	----------	--------------	---	---	----

Half cylinders with 63 mm tang - Special finishes on request *

EXTRA CHARGE

Enam. polished	C62510.xx.xx	📞	1	50
Brass matt nickel plated	C62516.xx.xx	📞	1	50

* Only visible surfaces are polished



TENAX, ROUND



With internal cover plate

Satin Chromium plated

GR 1	X = 10 mm	S=0-4mm	C94850.10.32	1	10
GR 2	X = 12 mm	S=0-6mm	C94850.12.32	1	10
GR 3	X = 14 mm	S=2-8mm	C94850.14.32	1	10
GR 4	X = 16 mm	S=4-10mm	C94850.16.32	1	10
GR 5	X = 18 mm	S=6-12mm	C94850.18.32	1	10

PVD

GR 1	X = 10 mm	S=0-4mm	C94850.10.35	1	10
GR 2	X = 12 mm	S=0-6mm	C94850.12.35	1	10
GR 3	X = 14 mm	S=2-8mm	C94850.14.35	1	10
GR 4	X = 16 mm	S=4-10mm	C94850.16.35	1	10
GR 5	X = 18 mm	S=6-12mm	C94850.18.35	1	10

X= thickness S= cylinder protrusion from the door



With internal stud

Satin Chromium plated

GR 1	X = 10 mm	S=0-4mm	C94600.10.32	1	10
GR 2	X = 12 mm	S=0-6mm	C94600.12.32	1	10
GR 3	X = 14 mm	S=2-8mm	C94600.14.32	1	10
GR 4	X = 16 mm	S=4-10mm	C94600.16.32	1	10
GR 5	X = 18 mm	S=6-12mm	C94600.18.32	1	10

PVD

GR 1	X = 10 mm	S=0-4mm	C94600.10.35	1	10
GR 2	X = 12 mm	S=0-6mm	C94600.12.35	1	10
GR 3	X = 14 mm	S=2-8mm	C94600.14.35	1	10
GR 4	X = 16 mm	S=4-10mm	C94600.16.35	1	10
GR 5	X = 18 mm	S=6-12mm	C94600.18.35	1	10

X= thickness S= cylinder protrusion from the door

TENAX, OVAL



With internal stud

Satin Chromium plated

GR 1	X = 10 mm	S=0-4mm	C94700.10.32	1	10
GR 2	X = 12 mm	S=0-6mm	C94700.12.32	1	10
GR 3	X = 14 mm	S=2-8mm	C94700.14.32	1	10
GR 4	X = 16 mm	S=4-10mm	C94700.16.32	1	10
GR 5	X = 18 mm	S=6-12mm	C94700.18.32	1	10

PVD

GR 1	X = 10 mm	S=0-4mm	C94700.10.35	1	10
GR 2	X = 12 mm	S=0-6mm	C94700.12.35	1	10
GR 3	X = 14 mm	S=2-8mm	C94700.14.35	1	10
GR 4	X = 16 mm	S=4-10mm	C94700.16.35	1	10
GR 5	X = 18 mm	S=6-12mm	C94700.18.35	1	10

Compatibility

compatible with Mortice locks

X= thickness S= cylinder protrusion from the door

C-LINER



Protection kit for cylinders

NICKEL PLATED

With screws and wrench	C94000.00.01	1	1
------------------------	--------------	---	---

compatible with Mortice locks



Accessories



Duplicate - Scudo DCK NICKEL SILVER

Duplicated	C14300.24.01	☎	1	1
------------	--------------	---	---	---



Key - Scudo 9000 NICKEL SILVER

Blank key	C94300.04.01		50	50
Duplicated	C94300.24.01	☎	1	1



Key - Scudo 7000 NICKEL SILVER

Blank key	C74300.04.01		50	50
Duplicated	C74300.24.01	☎	1	1



Key - U-Tech BRASS

Blank key	C34306.04.06	☎	50	50
Duplicated	C34306.24.06	☎	1	1



Key - Scudo 5000 BRASS

Blank key	6 pins (cil.side 22 mm)	C54306.04.06	50	1000
	7 pins	C54307.04.06	50	1000
Duplicated		C54300.24.06	☎	1 1



Cover for key-head POLYEYHYLENE

Blue	C97800.01.52	☎	100	100
Green	C97800.01.62	☎	100	100
Dark red	C97800.01.82		100	100
Anthracite grey	C97800.01.87	☎	100	100
Light red	C97800.01.92	☎	100	100
5 colors bag	C97800.05.00	☎	20	20



Mod. 600 cylinder keys BRASS

Blank key	4 pins (cil.side 22 mm)	C64304.04.06	100	1200
	5 pins	C64305.04.06	100	1200
	Oval	C64405.04.06	☎	100 1200
Duplicated		C64300.24.06	☎	1 1

Chiavi Cifrate

Numbers of keys for each cylinder (standard)

Price for each add. key (indicare n° nell'ordine)

Mod. 600		SCUDO 5000		U-TECH		SCUDO 9000		SCUDO DCK	
CODE	PRICE	CODE	PRICE	CODE	PRICE	CODE	PRICE	CODE	PRICE
	3		5		5		5		5
VC	1,384	VC	3,458	VC	4,318	VC	5,174	VC	10,813



Accessories



Lubricant for cylinders

50 ml sprayer	C00010.01.00	1	1
---------------	--------------	---	---



Knob for cylinders with tang

BRASS

Enam. polished	C00645.00.10	1	50
Nickel plated	C00645.00.06	1	50
Matt nickel plated	C00645.00.16	1	50



Cylinder escutcheon

STEEL

Enam. brass plated	C00640.00.03	100	1400
Nickel plated	C00640.00.06	☎ 100	1400

BRASS

Plain	C00641.00.01	☎ 100	1400
Nickel plated	C00641.00.06	☎ 100	1400
Enam. polished	C00641.00.10	☎ 100	1400
Matt chr. plated	C00641.00.34	☎ 100	1400



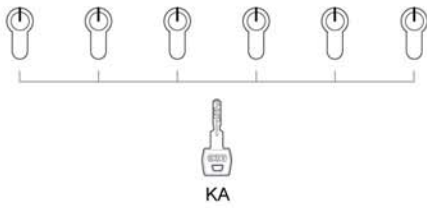
Screws

STEEL

Backset 20 mm	Bronze plated	C00642.20.02	50	50
	Bichromated	C00642.20.04	50	50
	Nickel plated	C00642.20.06	☎ 50	50
Backset 25 mm	Bronze plated	C00642.25.02	50	50
	Bichromated	C00642.25.04	50	50
	Nickel plated	C00642.25.06	☎ 50	50
Backset 30 mm	Bronze plated	C00642.30.02	50	50
	Bichromated	C00642.30.04	50	50
	Nickel plated	C00642.30.06	☎ 50	50
Backset 35 mm	Bronze plated	C00642.35.02	50	50
	Bichromated	C00642.35.04	50	50
	Nickel plated	C00642.35.06	50	50
Backset 40 mm	Bronze plated	C00642.40.02	50	50
	Bichromated	C00642.40.04	50	50
	Nickel plated	C00642.40.06	50	50
Backset 45 mm	Bronze plated	C00642.45.02	50	50
	Bichromated	C00642.45.04	50	50
	Nickel plated	C00642.45.06	50	50
Backset 50 mm	Bronze plated	C00642.50.02	50	50
	Bichromated	C00642.50.04	50	50
	Nickel plated	C00642.50.06	50	50
Backset 60 mm	Bronze plated	C00642.60.02	50	50
	Bichromated	C00642.60.04	50	50
	Nickel plated	C00642.60.06	50	50
Backset 70 mm	Bronze plated	C00642.70.02	50	50
	Bichromated	C00642.70.04	50	50
	Nickel plated	C00642.70.06	50	50



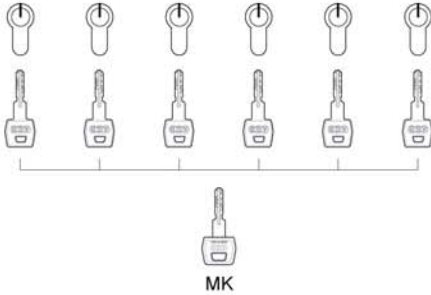
Key systems



Key Alike System

KA

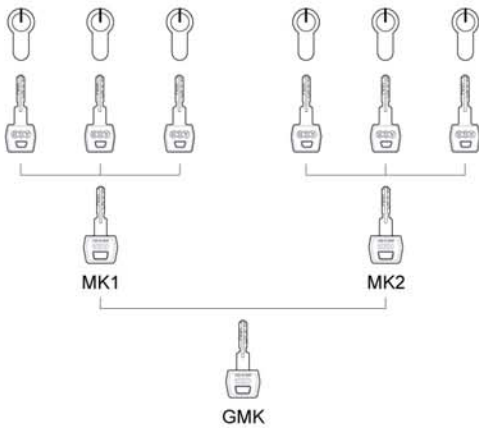
All the cylinders have the same differ and can be opened only by one key.



Master Key system

MK

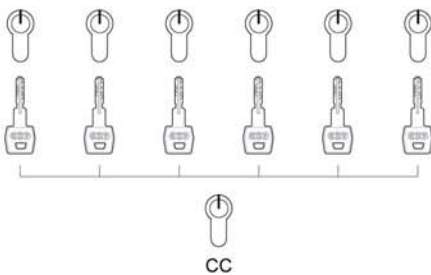
Every cylinder can be opened by its own key which cannot open any other cylinder of the system. All the cylinders can be opened by the MK management key.



General Master Key system

GMK

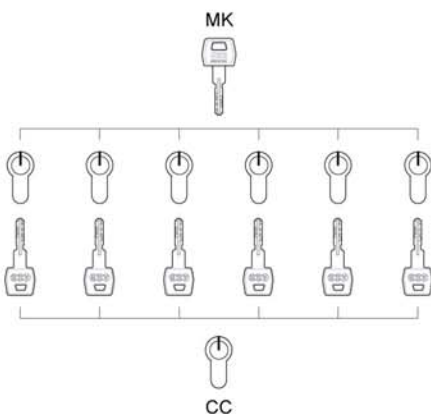
Same as the management key system but in two or more groups. Every group of cylinders can be opened by its own service key. All the cylinders of the system can be opened by the GMK grand management key.



Central Cylinder System

CC

Every cylinder has its own key which cannot open any other cylinder of the system. All the keys of the system can open the cylinder of the central lock.



Central Cylinder System and Master Key

CCMK

Every cylinder has its own key which cannot open any other cylinder of the system, except the central system. All the cylinders of the system can be opened by the MK management key.



Extra charge for key systems

Keyed alike system cylinders - KA

Free coding (price for each cylinder)

Specimen coding (price for each cylinder)

Reduction for each key less than the st. supply

Mod. 600		SCUDO 5000		U-TECH		SCUDO 9000		SCUDO DCK	
CODE	PRICE	CODE	PRICE	CODE	PRICE	CODE	PRICE	CODE	PRICE
KA	1,537	KA	1,716	KA	2,372	KA	3,026	KA	8,767
KC	2,151	KC	2,263	KC	3,039	KC	3,816	KC	9,234
		indicate in order	1,590		1,790	indicate in order	1,987	indicate in order	3,136

N.B. For half-cylinders with knob 50% deduction price

Keyed alike system cylinders - MK

Free coding (price for each cylinder)

Specimen coding (price for each cylinder)

Master key, to be order in multiples of 3
(price and code for each key)

Mod. 600		SCUDO 5000		U-TECH		SCUDO 9000		SCUDO DCK	
CODE	PRICE	CODE	PRICE	CODE	PRICE	CODE	PRICE	CODE	PRICE
MK	9,600	MK	11,993	MK	13,401	MK	14,806	MK	18,987
MC	14,978	MC	16,801	MC	18,107	MC	19,413	MC	25,141
C6430015.06	1,384	C5430015.06	4,494	C34300,15.08	4,731	C9430015.01	4,969	C1430015.01	10,813

N.B. For half-cylinders with knob 50% deduction price

General Master Key system cylinders - GMK

Free coding (price for each cylinder)

Specimen coding (price for each cylinder)

Master key, to be order in multiples of 3
(price and code for each key)

Mod. 600		SCUDO 5000		U-TECH		SCUDO 9000		SCUDO DCK	
CODE	PRICE	CODE	PRICE	CODE	PRICE	CODE	PRICE	CODE	PRICE
GMK	13,440	GMK	15,428	GMK	16,764	GMK	18,085	GMK	21,915
GMC	18,817	GMC	20,227	GMC	21,466	GMC	22,705	GMC	26,006
C6430016.06	1,384	C5430016.06	4,494	C34300,16.08	4,731	C9430016.01	4,969	C1430016.01	10,813

N.B. For half-cylinders with knob 50% deduction price

Central Cylinder system cylinders - CC

Free coding (price for each cylinder)

Specimen coding (price for each cylinder)

Mod. 600		SCUDO 5000		U-TECH		SCUDO 9000		SCUDO DCK	
CODE	PRICE	CODE	PRICE	CODE	PRICE	CODE	PRICE	CODE	PRICE
CC	6,528	CC	9,257	CC	10,716	CC	12,176	CC	16,656
CCC	9,600	CCC	11,999	CCC	13,406	CCC	14,787	CCC	18,994

N.B. For half-cylinders with knob 50% deduction price

Central & Master Key syst. cyl.-CCMK

Free coding (price for each cylinder)

Specimen coding (price for each cylinder)

Master key, to be order in multiples of 3
(price and code for each key)

Mod. 600		SCUDO 5000		U-TECH		SCUDO 9000		SCUDO DCK	
CODE	PRICE	CODE	PRICE	CODE	PRICE	CODE	PRICE	CODE	PRICE
CMK	16,130	CMK	17,829	CMK	19,117	CMK	20,402	CMK	23,961
CMC	23,426	CMC	24,342	CMC	24,486	CMC	26,654	CMC	29,512
C6430016.06	1,384	C5430016.06	4,494	C34300,15.08	4,731	C9430016.01	4,969	C1430016.01	10,813

N.B. For half-cylinders with knob 50% deduction price

The expansion of existing systems is considered as specimen coding

At the time of the first order, indicate whether a future expansion may be required for the systems, otherwise specimen coding for the systems could not be possible.

For systems other than the ones indicated, please contact our sales department.

The good operation of the cylinders is guaranteed only with original AGB's Key.



Extra charge for Pass keys

Extra charge for building yard PASS key	SCUDO 5000			
	Code SINGLE	Price SINGLE	Code UNICA	Price UNICA
Key - Key	C571xx.xx.xx	€ 5,762	C571xx.xx.xx.U	€ 15,489
Key - Key Double function	C471xx.xx.xx	€ 5,762	C471xx.xx.xx.U	€ 15,489
Knob - Key	C589xx.xx.xx	€ 4,011	C589xx.xx.xx.U	€ 7,741
18 mm tang	C577xx.xx.xx	€ 4,011	C577xx.xx.xx.U	€ 7,741
63 mm tang	C572xx.xx.xx	€ 4,011	C572xx.xx.xx.U	€ 7,741
Half cylinders	C573xx.xx.xx	€ 4,011	C573xx.xx.xx.U	€ 7,741
PASS key building yard UNICA			C54307.25.06 (7 pins)	€ 3,680
			C54306.25.06 (6 pins)	€ 3,680

Extra charge for building yard PASS key	U-TECH			
	Code SINGLE	Price SINGLE	Code UNICA	Price UNICA
Key - Key				
Key - Key Double function	C371xx.xx.xx	€ 6,772	C371xx.xx.xx.U	€ 16,897
Knob - Key	☎	€ 5,016	☎	€ 8,445
18 mm tang	☎	€ 5,016	☎	€ 8,445
63 mm tang	☎	€ 5,016	☎	€ 8,445
Half cylinders	C373xx.xx.xx	€ 5,016	C373xx.xx.xx.U	€ 8,445
PASS key building yard UNICA			C34306.25.06	€ 4,650

Extra charge for building yard PASS key	SCUDO 9000			
	Code SINGLE	Price SINGLE	Code UNICA	Price UNICA
Key - Key	C971xx.xx.xx	€ 13,005	C971xx.xx.xx.U	€ 18,067
Key - Key Double function				
Knob - Key	☎	€ 11,110	☎	€ 9,148
18 mm tang	☎	€ 11,110	☎	€ 9,148
63 mm tang	☎	€ 11,110	☎	€ 9,148
Half cylinders	☎	€ 11,110	☎	€ 9,148
PASS key building yard UNICA			C94300.25.01	€ 10,700

Cylinder with SINGLE PASS key: every cylinder includes a key for building yard ("PASS" carved in the neck of the key) and 5 owner's keys. The PASS key opens the cylinder until the inserting of the owner's key which definitely cancels the PASS key. The extra charge has to be added to the price of the cylinder.

System with UNICA PASS key: The UNICA key ("PASS" carved in the neck of the key) opens all the cylinders of the system until the inserting of the owners's keys. Every cylinder included in the system has 5 owner's keys inserted in a sealed packet. Numbered labels will allow to couple without mistakes the packet of owner's keys with every cylinder. The extra charge has to be added to the price of the cylinder. When no Master key is included in the system of cylinders, AGB recommends to use cylinders with SINGLE PASS keys.



Application form for cylinders keys systems

		Alban Giacomo SpA Via A. de Gasperi,75 36060 Romano d'Ezzelino (Vicenza) Italia			Tel.: 0039 0424 832832 Fax: 0039 0424 832885 Internet: www.agb.it E-mail: info@agb.it						
Cylinder system plan											
No. order:		Order date: 5 october 2008			Requested date of delivery: 26 october 2008			Client: Alban Giacomo S.p.A.			
Tipologia di sistema <input type="checkbox"/> Key alike system (KA) <input type="checkbox"/> Master key system (MK) <input type="checkbox"/> General Master key system (GMK) <input type="checkbox"/> Central cylinder system (CC) <input type="checkbox"/> Central cylinder system and master key (CCMK) <input type="checkbox"/> System with group of cylinders with PASS UNICA key (U)		For different systems than those indicated, please contact export dept.		MK, GMK, PASS key enlargement new MKs orders expected? si <input type="checkbox"/> no <input type="checkbox"/>			MASTER KEYS (MK)		Q.ty Master key		
		No. order on sample _____ No. of floors opened by MK * _____ No. floors for new replacement MKs* _____ No. GMK _____ Code PASS for building yard** _____			Openings of every Master key						
CYLINDERS		Total quantity of cylinders			23						
Room description and references of the client		Code cylinder		Cylinders q.ty	KA	CC			Q.ty keys per cylinder	Key Marking	
1											
2											
3											
4											
5											
6											
7											
8											
9											
10											
11											
12											
13											
14											
15											
16											
17											
18											
19											
20											
21											
22											
23											
24											
25											
26											
27											
28											
29											
30											
31											
32											
33											
34											
35											
36											
37											
38											
39											
40											
NOTES											

Signature for acceptance

NB. You can download this form from the web site www.agb.it





Example of application form for cylinders keys systems

		Alban Giacomo SpA Via A. de Gasperi, 75 36060 Romano d'Ezzelino (Vicenza) Italia		Tel.: 0039 0424 832832 Fax: 0039 0424 832885 Internet: www.agb.it E-mail: info@agb.it			
Cylinder system plan							
No. order		Order date:		Requested date of delivery:		Client:	
729299		5 october 2008		26 october 2008		Alban Giacomo S.p.A.	
Tipologia di sistema <input type="checkbox"/> Key alike system (KA) <input type="checkbox"/> Master key system (MK) <input checked="" type="checkbox"/> General Master key system (GMK) <input checked="" type="checkbox"/> Central cylinder system (CC) <input type="checkbox"/> Central cylinder system and master key (CCMK) <input type="checkbox"/> System with group of cylinders with PASS UNICA key (U)				MK, GMK, PASS key enlargement new MKs orders expected? si <input checked="" type="checkbox"/> no <input type="checkbox"/> No order on sample No. of floors opened by MK * 7 No. floors for new replacement MKs* 3 No. GMK Code PASS for building yard**			
CYLINDERS		Total quantity of cylinders		23			
Room description and references of the client		Code cylinder		Cylinders q.ty		KA CC	
						Q.ty keys per cylinder	
						Key Marking	
						GMK MK1 MK2 MK3 MK4 MK5 MK6 MK7	
1	Ufficio Direzione Generale	C10016.30.40	1				
2	Ufficio Direttore Commerciale	C10016.30.40	1				
3	Ufficio Vendite Italia 1	C10016.25.35	1				
4	Ufficio Vendite Italia 2	C10016.25.35	1				
5	Ufficio Vendite Italia 3	C10016.25.35	1				
6	Ufficio Vendite Italia 4	C10016.25.35	1				
7	Ufficio Vendite Italia 5	C10016.25.35	1				
8	Ufficio Vendite Italia 6	C10016.25.35	1				
9	Ufficio Vendite Italia 7	C10016.25.35	1	A			
10	Ufficio Vendite Italia 8	C10016.25.35	1	A		0	
11	Ufficio Vendite Estero 1	C10016.30.30	1				
12	Ufficio Vendite Estero 2	C10016.30.30	1				
13	Ufficio Vendite Estero 3	C10016.30.30	1				
14	Ufficio Product Management 1	C10016.25.35	1	B			
15	Ufficio Product Management 2	C10016.25.35	1	B		0	
16	Ufficio Product Management 3	C10016.25.35	1				
17	Ufficio Comunicazione 1	C10016.25.35	1				
18	Ufficio Comunicazione 2	C10016.25.35	1				
19	Amministrazione	C10016.30.30	1				
20	Centro Elaborazione Dati	C10016.30.30	1				
21	Ufficio Progettazione	C10016.30.40	1				
22	Laboratorio Controllo e Collaudo	C10016.30.40	1				
23	Entrata Comune (central)	C10016.30.40	1		X		

NOTES:

Example of special key system with gerarchy and with 23 DCK cylinders opened by 1 Grand Master Key and 7 Master Keys ("7 floors"). In this instance the Owner has the GMK that opens all the cylinders; every Company responsible has a MK that opens the offices of his "floor" or competency and the central entrance (central). Only the GMK and MK can open the central cylinder (CC) of the entrance. In this system there are also a couple of cylindres (A and B) with KA system.

Instructions for filling the form

CYLINDERS (ROWS)

Cylinder description: indicate a reference for every cylinder (e.g. entrance, garage, office A, office B etc.)

Cylinder code: report the AGB code, as indicated in the price list (ref. key-key, with knob, Opera etc.)

Cylinders quantity: Quantity of the same model of cylinders with the same dimension/finish

KA: only for KA systems. Assign a letter or a progressive number to every group of cylinders with the same key and report here, for every cylinder the letter or the number.

CC: only for CC and CCMK systems. Assign a letter or a progressive number to every group of cylinders which operate on the Central cylinder and report here, for every cylinder the letter or the number.

No. Of keys for every cylinder: fill in ONLY if the key quantities are different than the standard quantity.

Key marking: To fill in only if required. It implies an extra charge. 12 characters only.

MASTER KEYS (columns)

Key marking: To fill in only if required. It implies an extra charge. 12 characters only.

Opening of every Master Key: indicate a reference for every MK (eg. CEO, Services, Maintenance, etc)

Quantità chiavi maestre: quantità di chiavi maestre di questo tipo

CROSSING CYLINDERS / MASTER KEYS "MK"

Indicate the cylinders that have to be opened by every MK key. A X must be marked where the row of the cylinder crosses the column of the Master key MK

* In the GMK systems specify when passing the 1st order the necessity of eventual coming extensions (eg. new floors to be opened with different MK keys). Otherwise the differ on sample for new cylinders or new MK keys will not be granted.

** to be filled in only if the quantity of PASS key + owner keys is different from the standard "1+5". all variant codes will be considered ONLY on the basis of precise commercial indications previously agreed (eg. programmed orders).

Signature for acceptance

HINGES AND BOLTS



Hinges and Bolts



For wooden frames - adjustable	pag.	138
For wooden frames - for automatic drilling and mounting	pag.	139
For wooden frames - two pins	pag.	140
For rebated doors	pag.	147
For wooden frames - three pins	pag.	148
For wooden frames - surface mounted	pag.	149
For flush doors	pag.	152
For Wood Aluminium - surface mounted	pag.	154
Accessories - Covers	pag.	155
Accessories - Washers	pag.	159
Accessories - Serrated anchor	pag.	159
Accessories - For Jigs	pag.	160
For normal hinges - rebated sash	pag.	162
For TRIA hinge - rebated sash	pag.	163
For adjustable hinges mod. TOP e 3D - rebated sash	pag.	164
For hinges mod. ZENIT - rebated sash	pag.	165
For normal hinges - flush sash	pag.	166
For TRIA hinges - flush sash	pag.	167
For adjustable hinges mod. TOP e 3D - flush sash	pag.	168
For third sash hinges - flush sash	pag.	168
For aluminium/timber	pag.	169
for PVC	pag.	170
Accessories - Covers	pag.	173
Accessories - Compensating shims	pag.	173
For hinges mod. Cartesio	pag.	174
For hinges mod. COMPOSIT	pag.	174
For PVC hinges	pag.	175
Hinges for PVC	pag.	176
To be soldered	pag.	177

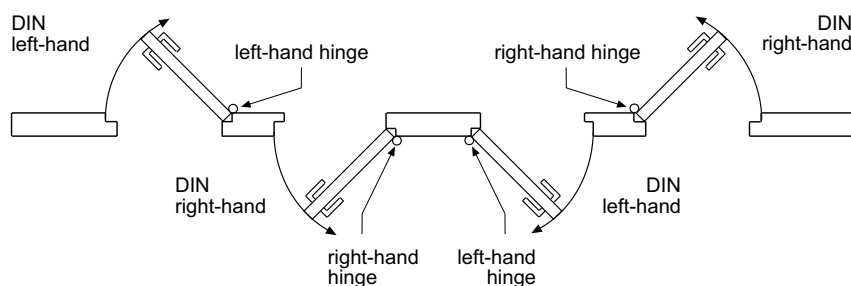


Push button bolts	pag.	181
Lever bolt	pag.	182
Vertical bolts	pag.	183
Accessories for bolts	pag.	184

DIN 107 standard concerning door-hand

A door is defined as "right-handed" or "left-handed" when, from the opening side, the hinges are located on the "right" or "left", respectively.

AGB hinges are defined right hand or left hand according to this rule:





For wooden frames - adjustable



Zenit

STEEL

ø 16	Bichromated	145	E02150.16.04	12	120
	Silver	145	E02150.16.15	12	120
ø 20	Bichromated	145	E02150.20.04	12	120
	Silver	145	E02150.20.15	12	120

Zenit - Anti-burglar

STEEL

ø 20	Bichromated	145	E02153.20.04	12	120
	Silver	145	E02153.20.15	12	120



Top

STEEL

ø 16	Bronze plated	99	E00150.16.02	12	120
	Bichromated	99	E00150.16.04	12	120
	Silver	99	E00150.16.15	12	120
ø 20	Bichromated	111	E00150.20.04	12	60
	Silver	111	E00150.20.15	12	60



3D

STEEL

ø 14	Bronze plated	82	E01150.14.02	12	120
	Bichromated	82	E01150.14.04	12	120
	Silver	82	E01150.14.15	12	120
ø 16	Bronze plated	82	E01150.16.02	12	120
	Bichromated	82	E01150.16.04	12	120
	Bichromated	82*	E01160.16.04	12	120
	Silver	82	E01150.16.15	12	120

* Pins lenght 65 mm

STAINLESS STEEL

ø 14	Plain	82	E01165.14.01	12	120
ø 16	Plain	82	E01165.16.01	12	120



Mod.159 2 pins

STEEL

ø 14	Bichromated	66	E00159.14.04	40	200
------	-------------	----	--------------	----	-----



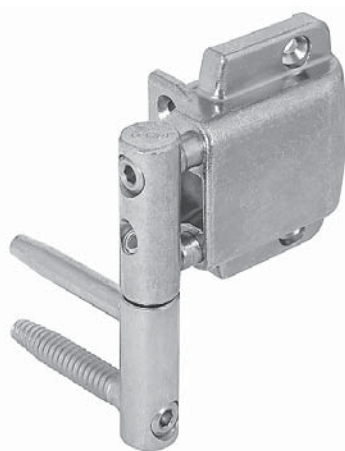
For wooden frames - for automatic drilling and mounting



3D-matic for \varnothing 7,2 mm drilling

STEEL

ø 14	Bronze plated	82		E01178.14.02	20	200
	Enam. brass plated	82		E01178.14.03	20	200
	Bichromated	82		E01178.14.04	20	200
	Silver	82		E01178.14.15	20	200



Trimax - 3 & 4 sashes, for \varnothing 7,2 mm drilling

FEMALE

ø 14	Silver finish	lh		E01178.14.04.203	☎ 24	24
	Zinc plated	lh		E01178.14.15.203	☎ 24	24

MALE

ø 14	Zinc plated	rh		E01176.14.04.202	24	24
	Silver finish	rh		E01176.14.15.202	24	24
	Zinc plated	lh		E01177.14.04.202	24	24
	Silver finish	lh		E01177.14.15.202	24	24



Mod.118 with 46 mm long pins, for \varnothing 7,2 mm drilling

STEEL

ø 14	Bronze plated	45		E01174.14.02	100	300
	Enam. brass plated	45		E01174.14.03	100	300
	Bichromated	45		E01174.14.04	☎ 100	300
	Silver	45		E01174.14.15	100	300

Mod.156 with 46 mm long pins, for \varnothing 7,2 mm drilling "for Vasistas"

STEEL

ø 14	Bronze plated	38	46	● E01175.14.02	☎ 100	300
	Enam. brass plated	38	46	● E01175.14.03	☎ 100	300
	Bichromated	38	46	● E01175.14.04	☎ 100	300
	Silver	38	46	● E01175.14.15	☎ 100	300



For wooden frames - two pins



Mod.119

STEEL

ø 9	Bronze plated	37	E00119.09.02	100	1000
	Enam. brass plated	37	E00119.09.03	100	1000
	Bichromated	37	E00119.09.04	100	1000
	Nickel plated	37	E00119.09.06	100	1000
	Matt chrom. plat.	37	E00119.09.34	100	1000
	White RAL 9010	37	E00119.09.91	☎	100 1000
	Black	37	E00119.09.93	☎	100 1000
ø 11	Bronze plated	40	E00119.11.02	80	800
	Enam. brass plated	40	E00119.11.03	80	800
	Bichromated	40	E00119.11.04	80	800
	Nickel plated	40	E00119.11.06	80	800
	Matt chr. plated	40	E00119.11.34	80	800
ø 13	Plain	45	E00119.13.01	100	400
	Bronze plated	45	E00119.13.02	100	400
	Enam. brass plated	45	E00119.13.03	100	400
	Bichromated	45	E00119.13.04	100	400
	Nickel plated	45	E00119.13.06	100	400
	Silver	45	E00119.13.15	100	400
	Matt. chr. plated	45	E00119.13.34	40	400
ø 14	Plain	50	E00119.14.01	100	300
	Bronze plated	50	E00119.14.02	100	300
	Enam. brass plated	50	E00119.14.03	100	300
	Bichromated	50	E00119.14.04	100	300
	Nickel plated	50	E00119.14.06	100	300
	Silver	50	E00119.14.15	100	300
ø 16	Bronze plated	54	E00119.16.02	50	200
	Enam. brass plated	54	E00119.16.03	50	200
	Bichromated	54	E00119.16.04	50	200
	Nickel plated	54	E00119.16.06	50	200
	Silver	54	E00119.16.15	50	200
	Matt. chr. plated	54	E00119.16.34	50	200
ø 20	Bronze plated	67	E00119.20.02	10	100
	Bichromated	67	E00119.20.04	10	100

BRASS

ø 9	Bronze plated	37	E00124.09.02	☎	100 1000
	Nickel plated	37	E00124.09.06	☎	100 1000
	Satin	37	E00124.09.08	☎	100 1000
	Enam. polished	37	E00124.09.10	100	1000
ø 11	Bronze plated	40	E00124.11.02	☎	80 400
	Nickel plated	40	E00124.11.06	☎	80 400
	Satin	40	E00124.11.08	☎	80 400
	Enam. polished	40	E00124.11.10	80	400
ø 13	Bronze plated	45	E00124.13.02	40	400
	Nickel plated	45	E00124.13.06	☎	40 400
	Anthracite	45	E00124.13.07	☎	40 400
	Satin	45	E00124.13.08	☎	40 400
	Enam. polished	45	E00124.13.10	40	400
ø 14	Bronze plated	50	E00124.14.02	40	320
	Nickel plated	50	E00124.14.06	☎	40 320
	Anthracite	50	E00124.14.07	40	320
	Satin	50	E00124.14.08	☎	40 320
	Enam. polished	50	E00124.14.10	40	320
ø 16	Bronze plated	54	E00124.16.02	40	200
	Nickel plated	54	E00124.16.06	☎	40 200
	Satin	54	E00124.16.08	☎	40 200
	Enam. polished	54	E00124.16.10	40	200

STAINLESS STEEL

ø 14	Plain	51	E00125.14.01	40	320
	Satin	51	E00125.14.08	40	320



For wooden frames - two pins

Mod.119 with one bent threaded pin

STEEL

ø 14	Bronze plated	50	rh	E00126.14.02	100	300
	Bronze plated	50	lh	E00127.14.02	100	300
	Enam. brass plated	50	rh	E00126.14.03	100	300
	Enam. brass plated	50	lh	E00127.14.03	100	300
	Bichromated	50	rh	E00126.14.04	100	300
	Bichromated	50	lh	E00127.14.04	100	300



Mod.119 with two bent threaded pins - (stock exhaustion)

STEEL

ø 14	Bronze plated	50	rh	E00129.14.02	100	300
	Bronze plated	50	lh	E00130.14.02	100	300
	Enam. brass plated	50	rh	E00129.14.03	100	300
	Enam. brass plated	50	lh	E00130.14.03	100	300
	Bichromated	50	rh	E00129.14.04	100	300
	Bichromated	50	lh	E00130.14.04	100	300



Mod.120

STEEL

ø 9	White plated	37		E00120.09.91	100	1000
	Black	37		E00120.09.93	100	1000
ø 11	White plated	40		E00120.11.91	80	800
	Black	40		E00120.11.93	80	800
ø 13	Bronze plated	45		E00120.13.02	100	400
	Enam. brass plated	45		E00120.13.03	100	400
	Bichromated	45		E00120.13.04	100	400
	White plated	45		E00120.13.91	40	400
	Black	45		E00120.13.93	40	400
	ø 14	Bronze plated	50		E00120.14.02	100
Enam. brass plated		50		E00120.14.03	100	300
Bichromated		50		E00120.14.04	100	300
White plated		50		E00120.14.91	40	320
Black		50		E00120.14.93	40	320
ø 16		Bronze plated	54		E00120.16.02	50
	Enam. brass plated	54		E00120.16.03	50	200
	Bichromated	54		E00120.16.04	50	200
	White plated	54		E00120.16.91	40	200
	Black	54		E00120.16.93	40	200



Mod.120 with nylon bush

STEEL

ø 14	Bronze plated	50		E02120.14.02	100	300
	Enam. brass plated	50		E02120.14.03	40	320
	Bichromated	50		E02120.14.04	100	300
	Chromium plated	50		E02120.14.30	40	320
	Matt chr. plated	50		E02120.14.34	40	320



For wooden frames - two pins



Mod.118

STEEL

ø 13	Bronze plated	45	E00118.13.02	100	400
	Enam. brass plated	45	E00118.13.03	100	400
	Bichromated	45	E00118.13.04	100	400
	Nickel plated	45	E00118.13.06	100	400
	Silver	45	E00118.13.15	100	400
	Matt chr. plated	45	E00118.13.34	40	320
ø 14	Bronze plated	49	E00118.14.02	100	300
	Enam. brass plated	49	E00118.14.03	100	300
	Bichromated	49	E00118.14.04	100	300
	Nickel plated	49	E00118.14.06	100	300
	Silver	49	E00118.14.15	100	300
	Matt chr. plated	49	E00118.14.34	40	320
ø 16	Bronze plated	54	E00118.16.02	50	200
	Enam. brass plated	54	E00118.16.03	50	200
	Bichromated	54	E00118.16.04	50	200
	Silver	54	E00118.16.15	50	200
	Matt chr. plated	54	E00118.16.34	50	200

Mod.118 with 46 mm long pins

STEEL

ø 14	Bronze plated	45	E01174.14.02	100	300
	Enam. brass plated	45	E01174.14.03	100	300
	Bichromated	45	E01174.14.04	100	300
	Silver	45	E01174.14.15	100	300



Mod.113

STEEL

ø 9	Bronze plated	25	E00113.09.02	150	1500
	Enam. brass plated	25	E00113.09.03	150	1500
	Bichromated	25	E00113.09.04	150	1500
	Nickel plated	25	E00113.09.06	150	1500
ø 13	Bronze plated	36	E00113.13.02	100	400
	Enam. brass plated	36	E00113.13.03	100	400
	Bichromated	36	E00113.13.04	100	400
	Nickel plated	36	E00113.13.06	100	400
ø 14	Bronze plated	41	E00113.14.02	100	300
	Enam. brass plated	41	E00113.14.03	100	300
	Bichromated	41	E00113.14.04	100	300
ø 16	Bronze plated	46	E00113.16.02	50	200
	Enam. brass plated	46	E00113.16.03	50	200
	Bichromated	46	E00113.16.04	50	200
	Nickel plated	46	E00113.16.06	50	200



Mod.116

STEEL

ø 13	Enam. brass plated	39	E00116.13.03	100	400
	Bichromated	39	E00116.13.04	100	400
ø 14	Bronze plated	46	E00116.14.02	100	300
	Enam. brass plated	46	E00116.14.03	100	300
ø 16	Bronze plated	51	E00116.16.02	50	200
	Enam. brass plated	51	E00116.16.03	50	200
	Bichromated	51	E00116.16.04	50	200



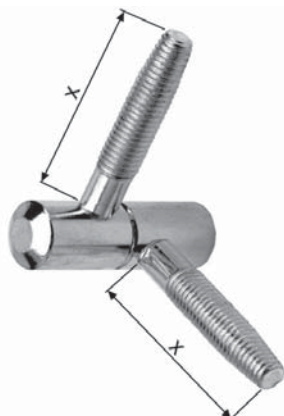
For wooden frames - two pins



Mod.117

STEEL

ø	Finish	Height	Code	Phone	100	400
ø 13	Bronze plated	43	E00117.13.02	☎	100	400
	Enam. brass plated	43	E00117.13.03	☎	100	400
	Bichromated	43	E00117.13.04	☎	100	400
	Nickel plated	43	E00117.13.06	☎	100	400



Mod.156 tilt only

STEEL

ø	Finish	Height	X	Code	100	400
ø 13	Bronze plated	38	40	E00156.13.02	100	400
	Enam. brass plated	38	40	E00156.13.03	100	400
	Bichromated	38	40	E00156.13.04	100	400
	Nickel plated	38	40	E00156.13.06	100	400
ø 14	Bronze plated	45	40	E00156.14.02	100	300
	Enam. brass plated	45	40	E00156.14.03	100	300
	Bichromated	45	40	E00156.14.04	100	300
	Nickel plated	45	40	E00156.14.06	100	300
	Silver	45	40	E00156.14.15	100	300
	Matt chr. plated	45	40	E00156.14.34	40	320

STEEL

ø	Finish	Height	X	Code	Phone	100	300
ø 14	Bronze plated	38	46	● E01175.14.02	☎	100	300
	Enam. brass plated	38	46	● E01175.14.03	☎	100	300
	Bichromated	38	46	● E01175.14.04	☎	100	300
	Silver	38	46	● E01175.14.15	☎	100	300



Mod.197 flat head - (stock exhaustion)

STEEL

ø	Finish	Height	Code	50	200
ø 13	Bronze plated	71	E00197.13.02	50	200
	Bichromated	71	E00197.13.04	50	200



Mod.162 long model - (stock exhaustion)

STEEL

ø	Finish	Height	Code	50	200
ø 13	Bronze plated	81	E00162.13.02	50	200
	Nickel plated	81	E00162.13.06	50	200
ø 14	Bronze plated	81	E00162.14.02	50	200
	Bichromated	81	E00162.14.04	50	200
	Nickel plated	81	E00162.14.06	50	200
ø 16	Bronze plated	91	E00162.16.02	50	200
	Bichromated	91	E00162.16.04	50	200

BRASS

ø	Finish	Height	Code	20	200
ø 13	Enam. polished	71	E00161.13.10	20	200
ø 14	Enam. polished	81	E00161.14.10	20	200



For wooden frames - two pins

Mod.198 rounded head

STEEL

ø 12	Bronze plated	83	E00198.12.02	50	200
	Enam. brass plated	83	E00198.12.03	50	200
	Bichromated	83	E00198.12.04	50	200
ø 14	Bronze plated	83	E00198.14.02	50	200
	Enam. brass plated	83	E00198.14.03	50	200
	Bichromated	83	E00198.14.04	50	200
	Nickel plated	83	E00198.14.06	50	200
	White RAL 9010	83	E00198.14.91	20	200
	Black	83	E00198.14.93	20	200



Mod.199 rounded head

BRASS

ø 13	Enam. polished	71	E00199.13.10	20	20
ø 14	Bronze plated	83	E00199.14.02	20	20
	Satin	83	E00199.14.08	20	20
	Enam. polished	83	E00199.14.10	20	20
ø 16	Enam. polished	95	E00199.16.10	20	20



Mod.3198 with nylon bush and long pivot

STEEL

ø 14	Bronze plated	83	E03198.14.02	50	200
	Cataf. brass plated	83	E03198.14.03	20	200
	Bichromated	83	E03198.14.04	50	200
	Chromium plated	83	E03198.14.30	20	200
	Matt chr. plated	83	E03198.14.34	20	200
	White RAL 9010	83	E03198.14.91	20	200
	Cataf. Black	83	E03198.14.93	20	200

BRASS

ø 14	Enamelled polished	83	E03199.14.10	20	20
------	--------------------	----	--------------	----	----



Mod.4199 rounded head with plastic bush

BRASS

ø 14	Enam. polished	56	E04199.14.10	40	200
	Matt chr. plated	56	E04199.14.34	40	200





For wooden frames - two pins

Mod.131 baroque style, with mark

STEEL

ø 11	Plain	74	E00131.11.01	40	400
	Bronze plated	74	E00131.11.02	40	400
	Enam. brass plated	74	E00131.11.03	40	400
	Bichromated	74	E00131.11.04	40	400
	Black zinc plated	74	E00131.11.09	☎	40 400
	Black	74	E00131.11.93	☎	40 400
ø 13	Plain	88	E00131.13.01	50	200
	Bronze plated	88	E00131.13.02	50	200
	Enam. brass plated	88	E00131.13.03	50	200
	Bichromated	88	E00131.13.04	50	200
	Black zinc plated	88	E00131.13.09	☎	50 200
	Black	88	E00131.13.93	☎	50 200
ø 14	Plain	91	E00131.14.01	50	200
	Bronze plated	91	E00131.14.02	50	200
	Enam. brass plated	91	E00131.14.03	50	200
	Bichromated	91	E00131.14.04	50	200
	Black zinc plated	91	E00131.14.09	☎	50 200
	Black	91	E00131.14.93	☎	50 200
ø 16	Plain	100	E00131.16.01	50	200
	Bronze plated	100	E00131.16.02	50	200
	Enam. brass plated	100	E00131.16.03	50	200
	Bichromated	100	E00131.16.04	50	200
	Black zinc plated	100	E00131.16.09	☎	50 200
	Silver	100	E00131.16.15	50	200

BRASS

ø 9	Bronze plated	60	E00128.09.02	☎	100 1000
	Satin	60	E00128.09.08	☎	100 500
	Enam. polished	60	E00128.09.10	☎	100 500
ø 11	Enam. polished	75	E00128.11.10	☎	40 400
	Bronze plated	75	E00128.11.02	☎	40 400
	Satin	75	E00128.11.08	☎	40 400
ø 13	Bronze plated	98	E00128.13.02	☎	20 200
	Satin	98	E00128.13.08	☎	20 200
	Enam. polished	98	E00128.13.10	☎	20 200
ø 14	Bronze plated	102	E00128.14.02	☎	20 200
	Satin	102	E00128.14.08	☎	20 200
	Enam. polished	102	E00128.14.10	☎	20 200
ø 16	Bronze plated	105	E00128.16.02	☎	20 100
	Satin	105	E00128.16.08	☎	20 100
	Enam. polished	105	E00128.16.10	☎	20 100

Mod.132 baroque style, without mark

STEEL

ø 9	Bronze plated	60	E00132.09.02	100	1000
	Enam. brass plated	60	E00132.09.03	100	1000
	Bichromated	60	E00132.09.04	100	1000
	Black zinc plated	60	E00132.09.09	☎	100 1000
	Black	60	E00132.09.93	☎	100 1000
ø 13	Bronze plated	88	E00132.13.02	50	200
	Enam. brass plated	88	E00132.13.03	50	200
	Nickel plated	88	E00132.13.06	50	200
	Bichromated	88	E00132.13.04	50	200
	Black zinc plated	88	E00132.13.09	☎	50 200
	Black	88	E00132.13.93	☎	50 200
ø 14	Bronze plated	91	E00132.14.02	50	200
	Enam. brass plated	91	E00132.14.03	50	200
	Bichromated	91	E00132.14.04	50	200
	Nickel plated	91	E00132.14.06	☎	50 200
	Black zinc plated	91	E00132.14.09	☎	50 200
	Black	91	E00132.14.93	☎	50 200
ø 16	Bronze plated	100	E00132.16.02	50	200
	Enam. brass plated	100	E00132.16.03	50	200
	Bichromated	100	E00132.16.04	☎	50 200



For wooden frames - two pins



Florentine style - (stock exhaustion)

STEEL

ø 9	Bronze plated	60	E00135.09.02	100	1000
	Enam. brass plated	60	E00135.09.03	100	1000



Pivot anchor

STEEL

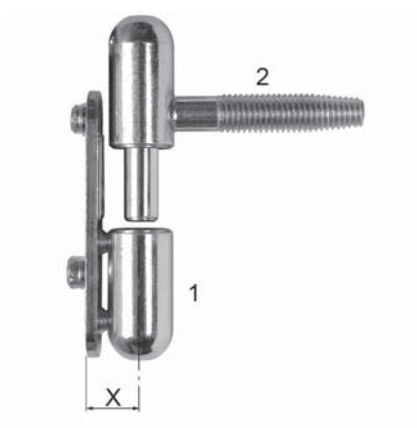
ø 14	Bronze plated	16	E00145.14.02	100	1000
	Enam. brass plated	16	E00145.14.03	100	1000
	Bichromated	16	E00145.14.04	100	1000
	Black	16	E00145.14.93	100	1000

BRASS

ø 16	Enam. polished	17	E00146.16.10	50	500
------	----------------	----	--------------	----	-----



For rebated doors



REVER - reversible hinge

1		STEEL	X				
∅ 14	Silver finish		56	11	E01180141.52.03	☎ 80	640
	Silver finish		56	13	● E01181141.52.03	☎ 80	640
2		STEEL					
∅ 14	Silver finish				E00178141.52.02	80	400



For wooden frames - three pins

Tria

STEEL

ø 13	Bronze plated	38	E00140.13.02	40	200
	Enam. brass plated	38	E00140.13.03	40	200
	Bichromated	38	E00140.13.04	40	200
	Matt chr. plated	38	E00140.13.34	40	200
ø 14	Bronze plated	41	E00140.14.02	40	200
	Enam. brass plated	41	E00140.14.03	40	200
	Bichromated	41	E00140.14.04	40	200
	Nickel plated	41	E00140.14.06	40	200
ø 16	Bronze plated	44	E00140.16.02	40	200
	Enam. brass plated	44	E00140.16.03	40	200
	Bichromated	44	E00140.16.04	40	200
	Nickel plated	44	E00140.16.06	40	200

Tria maxi

STEEL

ø 16	Bronze plated	60	E00170.16.02	12	120
	Enam. brass plated	60	E00170.16.03	12	120
	Bichromated	60	E00170.16.04	12	120
	Nickel plated	60	E00170.16.06	12	120
	White RAL 9010	60	E00170.16.91	12	120
ø 18	Bronze plated	63	E00170.18.02	12	120
	Enam. brass plated	63	E00170.18.03	12	120
	Bichromated	63	E00170.18.04	12	120
	Nickel plated	63	E00170.18.06	12	120
ø 20	Bronze plated	88	E00170.20.02	12	96
	Enam. brass plated	88	E00170.20.03	12	96
	Bichromated	88	E00170.20.04	12	96
	Nickel plated	88	E00170.20.06	12	96

Tria maxi baroque style - (stock exhaustion)

STEEL

ø 16	Enam. brass plated	124	E00171.16.03	12	120
	Bichromated	124	E00171.16.04	12	120
ø 18	Bronze plated	133	E00171.18.02	12	120
	Enam. brass plated	133	E00171.18.03	12	120
	Bichromated	133	E00171.18.04	12	120
ø 20	Bronze plated	164	E00171.20.02	12	96
	Enam. brass plated	164	E00171.20.03	12	96
	Bichromated	164	E00171.20.04	12	96



For wooden frames - surface mounted



Mod. 120 Ala, with planar leaves

STEEL

ø 14	Finish	Height	Code	50	200
	Bichromated	50	E10061.14.04	50	200
	Black	50	E10061.14.93	50	200



Mod.120 Ala, with planar leaves, long model

STEEL

ø 14	Finish	Height	Code	50	200
	Bichromated	83	E10161.14.04	50	200
	Black	83	E10161.14.93	50	200



Mod.120 Ala, with planar leaves and pins

STEEL

ø 14	Finish	Height	Pin	Code	50	50
	Bichromated	50	rh	E10057.14.04	50	50
	Bichromated	50	lh	E10058.14.04	50	50
	Black	50	rh	E10057.14.93	50	50
	Black	50	lh	E10058.14.93	50	50



For wooden frames - surface mounted



Mod.120 Ala, with planar leaves and pins, long model

STEEL

ø 14	Bichromated	83	rh	E10157.14.04	50	50
	Bichromated	83	lh	E10158.14.04	50	50
	Black	83	rh	E10157.14.93	50	50
	Black	83	lh	E10158.14.93	50	50



Mod.120 Ala, with overlapped leaves

STEEL

ø 14	Bichromated	50	rh	E10062.14.04	50	200
	Bichromated	50	lh	E10063.14.04	50	200
	Black	50	rh	E10062.14.93	50	200
	Black	50	lh	E10063.14.93	50	200



Mod.120 Ala, with overlapped leaves, with pins

STEEL

ø 14	Bichromated	50	rh	E10059.14.04	50	200
	Bichromated	50	lh	E10060.14.04	50	200
	Black	50	rh	E10059.14.93	50	200
	Black	50	lh	E10060.14.93	50	200



Mod.179 Ala, with planar leaves

STEEL

ø 18	Bichromated	79		E10014.18.04	20	80
	Black	79		E10014.18.93	20	80



For wooden frames - surface mounted



Mod.159 Ala, with overlapped leaves without pins

STEEL

ø 14	Silver	65	rh	E10025.14.15	☎	40	200
	Silver	65	lh	E10026.14.15	☎	40	200



Mod.159 Ala, with planar leaves

STEEL

ø 14	Silver finish	65		E10013.14.15	☎	40	200
------	---------------	----	--	--------------	---	----	-----



Mod.118, with 7 mm pin

STEEL

ø 14	Bronze plated	49	rh	E01119.14.02		50	200
	Bronze plated	49	lh	E01118.14.02		50	200
	Enam. brass plated	49	rh	E01119.14.03		50	200
	Enam. brass plated	49	lh	E01118.14.03		50	200
	Bichromated	49	rh	E01119.14.04		50	200
	Bichromated	49	lh	E01118.14.04		50	200
	Silver	49	rh	E01119.14.15		50	200
	Silver	49	lh	E01118.14.15		50	200
	White RAL 9010	49	rh	E01119.14.91	☎	50	200
	White RAL 9010	49	lh	E01118.14.91	☎	50	200



For flush doors



2R - Package for 1 door

STEEL

Enam. brass plated	41 mm thickness	E10006.41.03	1	1
Enam. brass plated	44 mm thickness	E10006.44.03	1	1
Enam. brass plated	45 mm thickness	E10006.45.03	1	1
Nickel plated	41 mm thickness	E10006.41.06	1	1
Nickel plated	44 mm thickness	E10006.44.06	1	1
Nickel plated	45 mm thickness	E10006.45.06	1	1
Matt. chr. plated	41 mm thickness	E10006.41.34	1	1
Black	41 mm thickness	E10006.41.93	1	1
Black	44 mm thickness	E10006.44.93	1	1
Black	45 mm thickness	E10006.45.93	1	1

Content:

- 2 Body hinges
- 2 Backsets with octagonal bush
- 2 cover caps
- 1 security screw



COMPACT - Package for 1 door

STEEL

Matt nickel plated	rh	E10073.10.16	1	1
Matt nickel plated	lh	E10073.11.16	1	1



Kit 6 screws for COMPACT

E09010.10.05	1	50
--------------	---	----



Pivot

STEEL

Bronze plated	Low lh/Up rh	E10005.01.02	20	20
Bronze plated	Low rh/Up lh	E10005.02.02	20	20
Enam. brass plated	Low lh/Up rh	E10005.01.03	20	20
Enam. brass plated	Low rh/Up lh	E10005.02.03	20	20
Nickel plated	Low lh/Up rh	E10005.01.06	20	20
Nickel plated	Low rh/Up lh	E10005.02.06	20	20



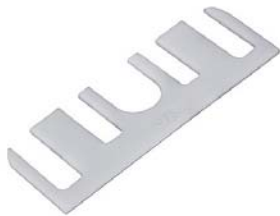
For flush doors



R60, adjustable with overlapped leaves without pins

STEEL		X					
ø16	Enam. brass plated	31	99	rh	E10083.16.03	16	80
	Enam. brass plated	31	99	lh	E10084.16.03	16	80
	Silver	31	99	rh	E10083.16.15	16	80
	Silver	31	99	lh	E10084.16.15	16	80

NB: the figure refers to a RIGHT hinge



R60, adapter for side adjustment

1 mm	E09010.00.01	50	1000
2 mm	E09010.01.01	50	1000



R30, adjustable with overlapped leaves without pins

STEEL						
ø14	Enam. brass plated	65		rh	E10081.14.03	40 200
	Enam. brass plated	65		lh	E10082.14.03	40 200
	Silver	65		rh	E10081.14.15	40 200
	Silver	65		lh	E10082.14.15	40 200



For Wood Aluminium - surface mounted



Alufix - for outside opening doors

STEEL

∅ 20	Silver	134	rh	E01125.20.15	1	12
	Silver	134	lh	E01126.20.15	1	12

NB: the figure refers to a LEFT hinge

Refer to updated assembly instructions; it is possible to order the proper jig

E09502.00.01



Accessories - Covers



Flat, for mod.119-113-116-117-118-120-156

ABS					
ø 13	Nickel plated	23	E00123.13.06	200	2000
	Light bronze plated	23	E00123.13.14	200	2000
	Silver	23	E00123.13.21	200	2000
	Enam. brass plated	23	E00123.13.50	200	2000
	White RAL 9010	23	E00123.13.91	200	2000
	Black	23	E00123.13.93	200	2000
	Brown	23	E00123.13.94	200	2000
ø 14	Nickel plated	25	E00123.14.06	200	1000
	Light bronze plated	25	E00123.14.14	200	1000
	Silver	25	E00123.14.21	200	1000
	Enam. brass plated	25	E00123.14.50	200	1000
	White RAL 9010	25	E00123.14.91	200	1000
	Black	25	E00123.14.93	200	1000
	Brown	25	E00123.14.94	200	1000
BRASS					
ø 13	Enam. polished	26	E00122.13.10	100	1000
	Matt. chr. plated	26	E00122.13.34	100	1000
ø 14	Enam. polished	28	E00122.14.10	100	1000
	Matt. chr. plated	28	E00122.14.34	100	1000
ø 16	Enam. polished	31	E00122.16.10	100	1000



Rounded head, for mod.119-113-116-117-118-120-156

ABS					
ø 13	Nickel plated	30	E00137.13.06	200	200
	Light bronze plated	30	E00137.13.14	200	200
	Silver	30	E00137.13.21	200	200
	Enam. brass plated	30	E00137.13.50	200	200
	white	30	E00137.13.91	200	200
	Black	30	E00137.13.93	200	200
	Brown	30	E00137.13.94	200	200
ø 14	Nickel plated	33	E00137.14.06	200	200
	Light bronze plated	33	E00137.14.14	200	200
	Silver	33	E00137.14.21	200	200
	Enam. brass plated	33	E00137.14.50	200	200
	White RAL 9010	33	E00137.14.91	200	200
	Black	33	E00137.14.93	200	200
	Brown	33	E00137.14.94	200	200
ALUMINIUM					
ø 13	Nickel plated	30	E21000.13.06	50	500
	Light bronze plated	30	E21000.13.14	50	500
	Matt Silver	30	E21000.13.16	50	500
	Enam. brass plated	30	E21000.13.50	50	500
ø 14	Nickel plated	30	E21000.14.06	50	500
	Light bronze plated	30	E21000.14.14	50	500
	Enam. brass plated	30	E21000.14.50	50	500
	Matt Silver	30	E21001.14.16	50	500



Flat, for third sash

ABS					
ø 14	Nickel plated	25	E21200.14.06	100	500
	Light bronze plated	25	E21200.14.14	100	500
	Silver	25	E21200.14.21	100	500
	Enam. brass plated	25	E21200.14.50	100	500
	White RAL 9010	25	E21200.14.91	100	500
	Brown	25	E21200.14.94	100	500



Accessories - Covers



Baroque style, for mod.119-113-116-117-118-120-156

BRASS

ø 13	Bronze plated	45	E00134.13.02	☎ 100	1000
	Enam. polished	45	E00134.13.10	100	1000
ø 14	Bronze plated	50	E00134.14.02	100	1000
	Enam. polished	50	E00134.14.10	100	1000

Baroque style, for mod.198

BRASS

ø 14	Bronze plated	68	E01134.14.02	☎ 24	240
	Enam. polished	68	E01134.14.10	24	240



For hinges mod. Zenit

ABS

ø 16	Nickel plated	77	E02151.16.06	40	400
	Light bronze plated	77	E02151.16.14	40	400
	Silver	77	E02151.16.21	40	400
	Enam. brass plated	77	E02151.16.50	40	400
	White RAL 9010	77	E02151.16.91	40	400
	Black	77	E02151.16.93	40	400
	Brown	77	E02151.16.94	40	400
ø 20	Nickel plated	77	E02151.20.06	40	200
	Light bronze plated	77	E02151.20.14	40	200
	Silver	77	E02151.20.21	40	200
	Enam. brass plated	77	E02151.20.50	40	200
	White RAL 9010	77	E02151.20.91	40	200
	Black	77	E02151.20.93	40	200
	Brown	77	E02151.20.94	40	200

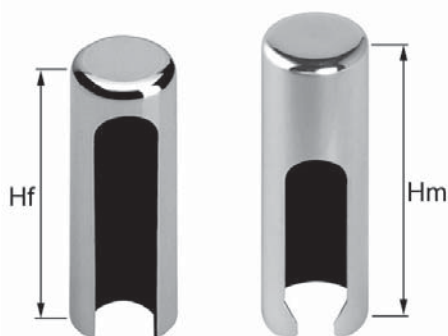
BRASS

ø 16	Bronze plated	83	E02152.16.02	24	240
	Nickel plated	83	E02152.16.06	☎ 24	240
	Enam. polished	83	E02152.16.10	☎ 24	240
	Satin chr. plated	83	E02152.16.32	☎ 24	240
	Matt chr. plated	83	E02152.16.34	☎ 24	240
ø 20	Bronze plated	83	E02152.20.02	24	240
	Nickel plated	83	E02152.20.06	24	240
	Enam. polished	83	E02152.20.10	24	240
	Satin chr. plated	83	E02152.20.32	☎ 24	240
	Matt chr. plated	83	E02152.20.34	24	240

For hinges mod.Top - package for 1 hinge

ABS

		Hm	Hf		
ø 16	Nickel plated	57	51	E00151.16.06	20 200
	Light bronze plated	57	51	E00151.16.14	20 200
	Silver	57	51	E00151.16.21	20 200
	Enam. brass plated	57	51	E00151.16.50	20 200
	White RAL 9010	57	51	E00151.16.91	20 200
	Black	57	51	E00151.16.93	20 200
	Brown	57	51	E00151.16.94	20 200
ø 20	Nickel plated	63	57	E00151.20.06	20 160
	Light bronze plated	63	57	E00151.20.14	20 160
	Silver	63	57	E00151.20.21	20 100
	Enam. brass plated	63	57	E00151.20.50	20 160
	White RAL 9010	63	57	E00151.20.91	20 160
	Black	63	57	E00151.20.93	20 160
	Brown	63	57	E00151.20.94	20 160





Accessories - Covers



For hinges mod. 3D and Trimax

ABS

ø 14	Nickel plated	47	E01151.14.06	40	400
	Light bronze plated	47	E01151.14.14	40	400
	Silver	47	E01151.14.21	40	400
	Enam. brass plated	47	E01151.14.50	40	400
	White RAL 9010	47	E01151.14.91	40	400
	Black	47	E01151.14.93	40	400
	Brown	47	E01151.14.94	40	400
ø 16	Nickel plated	48	E01151.16.06	40	400
	Light bronze plated	48	E01151.16.14	40	400
	Silver	48	E01151.16.21	40	400
	Enam. brass plated	48	E01151.16.50	40	400
	White RAL 9010	48	E01151.16.91	40	400
	Black	48	E01151.16.93	40	400
	Brown	48	E01151.16.94	40	400

BRASS

ø 14	Bronze plated	50	E01159.14.02	40	400
	Enam. polished	50	E01159.14.10	40	400
ø 16	Bronze plated	50	E01159.16.02	40	400
	Enam. polished	50	E01159.16.10	40	400

ALUMINIUM

ø 14	Nickel plated	46	E21151.14.06	40	400
	Light bronze plated	46	E21151.14.14	40	400
	Matt. nickel plated	46	E21151.14.16	40	400
	Enam. brass plated	46	E21151.14.50	40	400
ø 16	Nickel plated	46	E21151.16.06	40	400
	Matt nickel plated	46	E21151.16.16	40	400
	Enam. brass plated	46	E21151.16.50	40	400



For Trimax

ABS

ø 14	Silver		E01176.01.21	20	100
	Light bronze plated*		E01176.01.24	20	100
	Brass plated		E01176.01.50	20	100
	White RAL. 9010		E01176.01.91	20	100
	Brown		E01176.01.94	20	100

* to be coupled with 3D cover made of aluminium E211511414

Baroque style, for hinges mod. 3D and Trimax

BRASS

ø 14	Bronze plated	70	E01153.14.02	24	240
	Anthracite	70	E01153.14.07	24	240
	Enam. polished	70	E01153.14.10	24	240
ø 16	Bronze plated	70	E01153.16.02	24	240
	Enam. polished	70	E01153.16.10	24	240





Accessories - Covers



For hinges mod.159

ABS

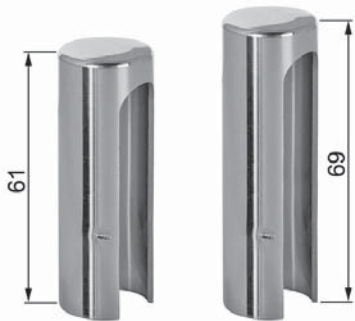
ø 14	Nickel plated	37	E00160.14.06	100	1000
	Light bronze plated	37	E00160.14.14	100	1000
	Silver	37	E00160.14.21	100	1000
	Enam. brass plated	37	E00160.14.50	100	1000
	White RAL 9010	37	E00160.14.91	100	1000
	Black	37	E00160.14.93	100	1000
	Brown	37	E00160.14.94	100	1000



Covers for REVER hinge

ALUMINIUM

Nickel plated	● E21002.14.06	☎ 50	500
Matt nickel plated	● E21002.14.16	50	500
Brass plated	● E21002.14.50	50	500



For Alufix hinges

BRASS

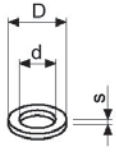
ø 20	Plain	E01128.20.01	☎ 20	100
	Enam. polished	E01128.20.10	☎ 20	100

ALUMINIUM

ø 20	Plain	E01129.20.00	☎ 20	160
	Silver	E01129.20.01	☎ 20	160
	Bronze plated	E01129.20.02	☎ 20	160
	White RAL 9010	E01129.20.91	☎ 20	100



Accessories - Washers



CODE	D	d	s
E00154.13.xx	13	7,7	1,2
E00154.14.xx	14	8,2	1,2
E00154.16.xx	16	10,2	1,2
E01154.13.xx	13	8,7	1,2
E01154.14.xx	14	9,2	1,2

Standard

BRASS

ø 13	Plain	E00154.13.01	500	7000
	Bronze plated	E00154.13.02	500	7000
	Zinc plated	E00154.13.05	500	7000
ø 14	Plain	E00154.14.01	500	7000
	Bronze plated	E00154.14.02	500	7000
	Zinc plated	E00154.14.05	500	7000
ø 16	Plain	E00154.16.01	500	7000
	Bronze plated	E00154.16.02	500	7000
	Zinc plated	E00154.16.05	500	7000

For hinges Mod.118

BRASS

ø 13	Plain	E01154.13.01	500	7000
	Bronze plated	E01154.13.02	500	7000
	Zinc plated	E01154.13.05	500	7000
ø 14	Plain	E01154.14.01	500	7000
	Bronze plated	E01154.14.02	500	7000
	Zinc plated	E01154.14.05	500	7000
ø 16	Plain	E01154.16.01	500	7000
	Bronze plated	E01154.16.02	500	7000
	Zinc plated	E01154.16.05	500	7000

Accessories - Serrated anchor



Standard

STEEL

Plain	E00051.00.01	300	3000
Bronze plated	E00051.00.02	300	3000
Bichromated	E00051.00.04	300	3000



Standard

STEEL

Plain	16	E00050.09.01	20	20
Plain	18	E00050.11.01	20	20



Accessories - For Jigs



Drills for screw hinges

For ø 9 hinges - ø 5,2 drill	E00013.09.01	1	1
For ø 11 hinges - ø 5,7 drill	E00013.11.01	1	1
For ø 13 hinges - ø 6,7 drill	E00013.13.01	1	1
For ø 14 hinges - ø 7,2 drill	E00013.14.01	1	1
For ø 14 hinges - ø 7,5 d.3D - until stock exhaust.	E00013.14.75	1	1
For ø 14 hinges - ø 7.5-7.9 drill 3D only	E00019.14.01	1	1
For ø 16 hinges - ø 7,7 drill	E00013.16.01	1	1
For ø 18 hinges - ø 8,2 drill	E00013.18.01	1	1



Bits stop

For ø 9/11 hinges	E00013.09.02	1	1
For ø 13/14 hinges	E00013.13.02	1	1
For ø 16/18/20 hinges	E00013.16.02	1	1



Insert bits for wrench

hexagon 4 mm	E00014.04.02	1	1
hexagon 5 mm	E00014.05.02	1	1



Hooks

For ø 9 hinges	E00013.09.03	1	1
For ø 11 hinges	E00013.11.03	1	1
For ø 13 hinges	E00013.13.03	1	1
For ø 14 hinges	E00013.14.03	1	1
For ø 16 hinges	E00013.16.03	1	1
For ø 18 hinges	E00013.18.03	1	1
For ø 20 hinges	E00013.20.03	1	1

Adjustment pin for hinges mod. E00118

For ø 13 hinges	E00013.13.06	1	1
For ø 14 hinges	E00013.14.06	1	1
For ø 16 hinges	E00013.16.06	1	1

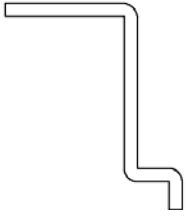
Adjustment pin for screw hinges

For ø 9 hinges	E00013.09.04	1	1
For ø 11 hinges	E00013.11.04	1	1
For ø 13 hinges	E00013.13.04	1	1
For ø 14 hinges	E00013.14.04	1	1
For ø 16 hinges	E00013.16.04	1	1
For ø 18 hinges	E00013.18.04	1	1
For ø 20 hinges	E00013.20.04	1	1





Accessories - For Jigs



Wrench

For \varnothing 13/14 hinges	E00013.13.05	1	1
For \varnothing 16 hinges	E00013.16.05	1	1
For \varnothing 18/20 hinges	E00013.18.05	1	1



Hexagonal key

3 mm	E00014.03.01	1	1
5 mm	E00014.05.01	1	1
4 mm	E00014.04.01	1	1

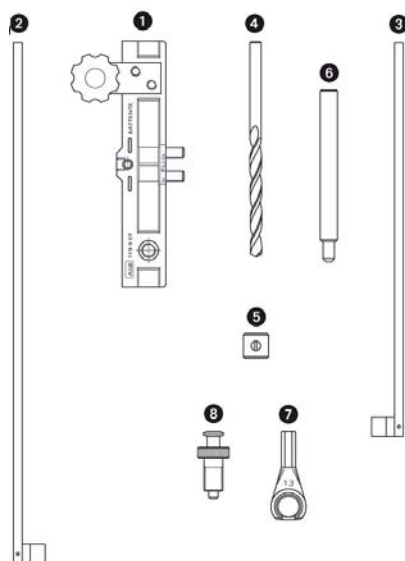


Jig fastening knob

A20030.01.04	1	1
--------------	---	---



For normal hinges - rebated sash



- 1 Jig
- 2 Door rod
- 3 Window rod
- 4 Bit
- 5 Bit stop
- 6 Adjustment pin for screw hinge
- 7 Hook
- 8 Jig fastening knob

Box tool guide

Ø			
9	E00112.09.01	1	1
11	E00112.11.01	1	1
13	E00112.13.01	1	1
14	E00112.14.01	1	1
16	E00112.16.01	1	1
18-20	E00112.18.01	1	1

Content for ø 9-11-13-14-16:

2 pcs jigs, 1pc bit, 1 pc bit stop, 1 pc adjust. pin for screw hinges, 1 pc hook

Content for ø 18-20:

2 pcs jigs, 1pc bit, 1 pc bit stop, 1 pc adjust. pin for screw hinges ø18

1 pc adjust. pin ø20, 1 pc hook ø18, 1 pc hook ø20

Kit guide fittings

Ø			
13	E00144.13.01	1	1
14	E00144.14.01	1	1
16	E00144.16.01	1	1
18-20	E00144.18.01	1	1

Content for ø 13-14-16:

6 pcs jigs, 2 pcs rods for window, 2 pcs rods for door, 2 pcs bits, 2 pcs bit stops,

2 pcs adjustment pins d.18 mm, 2 pcs adjustment pins d.20 mm, 2 pcs hooks d.18 mm, 2 pcs hooks

Content for ø 18-20:

6 pcs jigs, 2 pcs rods for window, 2 pcs rods for door, 2 pcs bits, 2 pcs bit stops,

2 pcs adjustment pins d.18 mm, 2 pcs adjustment pins d.20 mm, 2 pcs hooks d.18 mm, 2 pcs hooks

Single Jig

Ø			
9	E00139.09.01	1	1
11	E00139.11.01	1	1
13	E00139.13.01	1	1
14	E00139.14.01	1	1
16	E00139.16.01	1	1
18	E00139.18.01	1	1

Jigs rod for windows

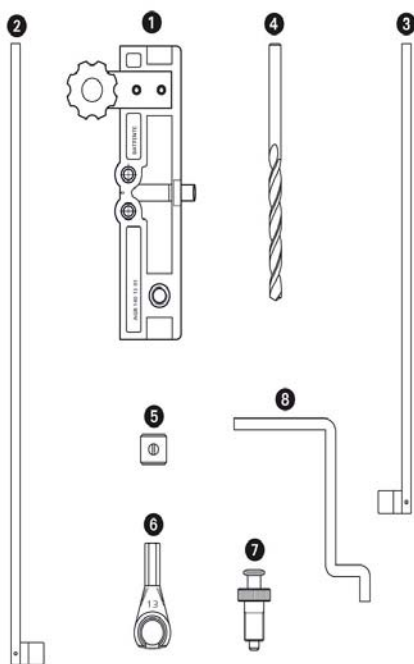
rh	E00136.00.01	1	1
lh	E00136.00.02	1	1

Jigs rod for balcony doors

rh	E00136.00.05	1	1
lh	E00136.00.06	1	1



For TRIA hinge - rebated sash



- 1 Jig
- 2 Door rod
- 3 Window rod
- 4 Bit
- 5 Bit stop
- 6 Hook
- 7 Jig fastening knob
- 8 Wrench

Box tool guide

	Ø			
TRIA	13	E00112.13.02	1	1
	14	E00112.14.02	1	1
	16	E00112.16.02	1	1
T.maxi	16	E00112.16.03	1	1
	18	E00112.18.03	1	1
	20	E00112.20.03	1	1

Content for Tria normal:

2 pcs jigs, 1 pc bit, 1 pc bit stop, 1 pc wrench, 1 pc hook.

Content for Tria maxi:

2 pcs jigs, 1 pc bit, 1 pc bit stop, 1 pc wrench, 1 pchook.

Kit guide fittings

	Ø			
TRIA	13	E00125.13.02	1	1
	14	E00125.14.02	1	1
	16	E00125.16.02	1	1
T.maxi	16	E00125.16.03	1	1
	18	E00125.18.03	1	1
	20	E00125.20.03	1	1

Content for Tria normal and Tria maxi:

2 pcs window rods, 2 pcs door rods, 6 pcs jigs, 2 pcs bits, 2 pcs bit stops, 2 pcs wrenches, 2 pcs hooks, 6 pcs jig fastening knobs.

Single Jig

	Ø			
TRIA	13	E00139.13.02	1	1
	14	E00139.14.02	1	1
	16	E00139.16.02	1	1
T.maxi	16	E00139.16.03	1	1
	18	E00139.18.03	1	1
	20	E00139.20.03	1	1

Jigs rod for windows

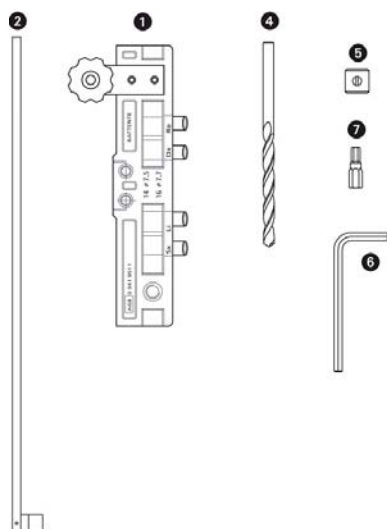
	rh	E00136.00.01	1	1
	lh	E00136.00.02	1	1

Jigs rod for balcony doors

	rh	E00136.00.05	1	1
	lh	E00136.00.06	1	1



For adjustable hinges mod. TOP e 3D - rebated sash



- 1 Jig
- 2 Door rod
- 3 Window rod
- 4 Bit
- 5 Bit stop
- 6 Allen key
- 7 Insert bit for wrench

Box tool guide

∅			
14-16	E00112.16.04	1	1
20	E00112.20.04	1	1

Content for mod. TOP e 3D ∅ 14-16:

2 pcs jigs, 1 pc bit d.7,5-7,9 mm, 1 pc bit d.7,7 mm, 2 pcs bit stops,
3 pcs allen keys, 1 pc wrench, 2 pcs insert bit for wrench.

Content for mod. TOP e 3D ∅ 20:

2 pcs jigs, 1 pc bit d.8,2 mm, 1 pc bit stop, 1 pc allen key, 1 pc wrench, 1 pc insert bit for wrench.

Kit guide fittings

∅			
14-16	E00125.16.04	1	1
20	E00125.20.04	1	1

Content for mod. TOP e 3D ∅ 14-16-20:

6 pcs jigs, 2 pcs window rods, 2 pcs door rods, 2 pcs bits, 2 pcs bit stops,
3 pcs allen keys, 2 pcs insert bits for wrench, 6 pcs jigs fastening knobs.

Single Jig

∅			
14-16	E00139.16.04	1	1
20	E00139.20.04	1	1

Jigs rod for windows

rh	E00136.00.09	1	1
lh	E00136.00.02	1	1

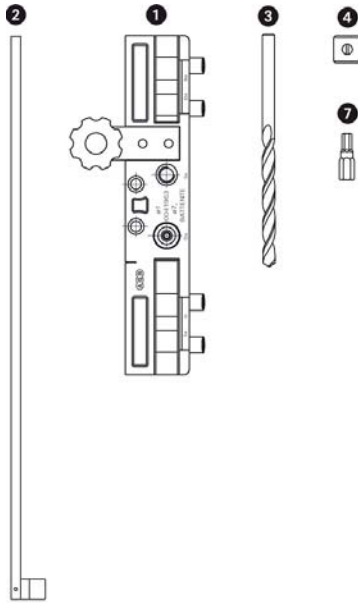
Jigs rod for balcony doors

∅			
rh	E00136.00.13	1	1
lh	E00136.00.06	1	1
rh	E00136.00.21	1	1

NB.the guide tooling box code E00112.16.04 and E00125.16.04 can be used
also to install the 3D hinges d.14 mm.



For hinges mod. ZENIT - rebated sash



- 1 Jig
- 2 Window rod
- 3 Bit
- 4 Bit stop
- 5 Allen key d. 4 mm
- 6 Allen key d. 5 mm
- 7 Insert bit for wrench

Box tool

Ø			
16	E00112.16.05	1	1
20	E00112.20.05	1	1

Content for mod. ZENIT Ø 16:

2 pcs jigs, 1 pc bit d. 7,7 mm, 1 pc bit stop, 2 pcs allen keys (Ø4+d.5 mm), 1 pc insert bit for wrench.

Content for mod. ZENIT Ø 20:

2 pcs jigs, 1 pc bit d. 8,2 mm, 1 pc bit stop, 1 pc allen key d.5 mm, 1 pc insert bit for wrench.

Kit fittings

Ø			
16	E00165.16.05	1	1
20	E00165.20.05	1	1

Content for mod. ZENIT Ø 16:

6 pcs jigs, 2 pcs window rods, 2 pcs bits d. 7,7 mm, 2 pcs bit stops, 2 pcs allen keys (Ø4+Ø5 mm), 2 pcs insert bits for wrench, 6 pcs jig fastening knobs.

Content for mod. ZENIT Ø 20:

6 pcs jigs, 2 pcs windows rod, 2 pcs bits d. 8,2 mm, 2 pcs bit stops, 1 pc allen key Ø5 mm, 2 pcs insert bit for wrench, 6 pcs jig fastening knobs.

Single Jig

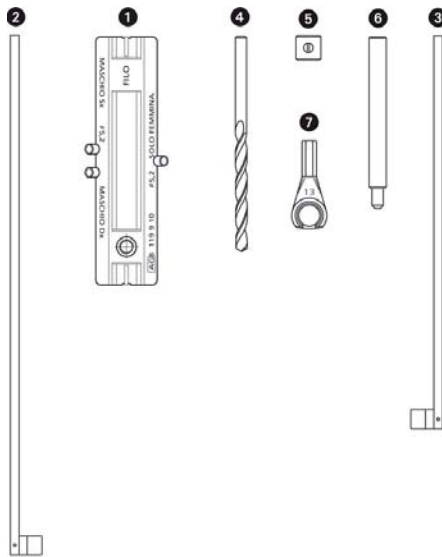
Ø			
16	E00139.16.05	1	1
20	E00139.20.05	1	1

Jigs rod for balcony doors

Ø			
rh	E00136.00.21	1	1



For normal hinges - flush sash



- 1 Jig
- 2 Door rod
- 3 Window rod
- 4 Bit
- 5 Bit stop
- 6 Adjustment pin for screw hinges
- 7 Hook

Box tool guide

Ø			
9	E00115.09.01	1	1
11	E00115.11.01	1	1
13	E00115.13.01	1	1
14	E00115.14.01	1	1
16	E00115.16.01	1	1
18-20	E00115.18.01	1	1

Content for Ø 9-11-13-14-16:

2 pcs jigs, 1 pc bit, 1 pc bit stop, 1 pc adjustment pin for screw hinges, 1 pc hook.

Content for Ø 18-20:

2 pcs jigs, 1 pc bit, 1 pc bit stop, 1 pc adjustment pin d.18 mm for screw hinges,
1 pc adjustment pin d.20 mm for screw hinges, 1 pc hook d.18 mm, 1 pc hook d.20 mm.

Kit guide fittings

Ø			
13	E00138.13.01	1	1
14	E00138.14.01	1	1
16	E00138.16.01	1	1
18-20	E00138.18.01	1	1

Content for Tria normal Ø 13-14-16:

6 pcs jigs, 2 pcs windows rods, 2 pcs door rods, 2 pcs bits, 2 pcs bit stops,

2 pcs adjustment pins for screw hinges, 2 pcs wrenches, 6 pcs jig fastening knobs.

Content for Tria Normal Ø 18-20:

6 pcs jigs, 2 pcs windows rods, 2 pcs door rods, 2 pcs bits, 2 pcs bit stops, 2 pcs
adjustment pins d.18 mm for screw hinges, 2 pcs hooks d.18 mm, 2 pcs hooks d.20 mm, 6 pcs jig

Content for Tria maxi:

6 pcs jigs, 2 pcs window rods, 2 pcs door rods, 2 pcs bits, 2 pcs bit stops, 2 pcs hooks,
2 pcs wrenches, 6 pcs jig fastening knobs.

Single Jig

Ø			
9	E00133.09.01	1	1
11	E00133.11.01	1	1
13	E00133.13.01	1	1
14	E00133.14.01	1	1
16	E00133.16.01	1	1
18-20	E00133.18.01	1	1

Jigs rod for windows

rh	E00136.00.03	1	1
lh	E00136.00.04	1	1

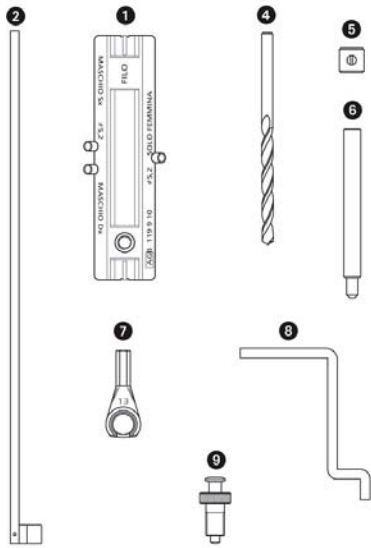
Jigs rod for balcony doors

Ø			
rh	E00136.00.07	1	1
lh	E00136.00.08	1	1

NB.Kit and single jig for standard hinges-flush doors-have the same code of the jigs for the TRIA hinges TRIA (normal)



For TRIA hinges - flush sash



- 1 Jig
- 2 Door rod
- 3 Window rod
- 4 Bit
- 5 Bit stop
- 6 Adjustment pin for screw hinges
- 7 Hook
- 8 Wrench
- 9 Jig fastening knob

Box tool guide

	Ø			
TRIA	13	E00115.13.02	1	1
	14	E00115.14.02	1	1
	16	E00115.16.02	1	1
T.maxi	16	E00115.16.03	1	1
	18	E00115.18.03	1	1
	20	E00115.20.03	1	1

Content for Tria normal:

2 pcs jigs, 1 pc bit, 1 pc bit stop, 1 pc hook, 1 pc wrench.

Content for Tria maxi:

2 pcs jigs, 1 pc bit, 1 pc bit stop, 1 pc hook, 1 pc wrench.

Kit guide fittings

	Ø			
	13	E00138.13.01	1	1
	14	E00138.14.01	1	1
	16	E00138.16.01	1	1
	16	E00165.16.03	1	1
	18	E00165.18.03	1	1
	20	E00165.20.03	1	1

Content for Tria normal Ø 13-14-16:

6 pcs jigs, 2 pcs windows rods, 2 pcs door rods, 2 pcs bits, 2 pcs bit stops, 2 pcs adjustment pins for screw hinges, 2 pcs wrenches, 6 pcs jig fastening knobs.

Content for Tria Normal Ø 18-20:

6 pcs jigs, 2 pcs windows rods, 2 pcs door rods, 2 pcs bits, 2 pcs bit stops, 2 pcs adjustment pins d.18 mm for screw hinges, 2 pcs hooks d.18 mm, 2 pcs hooks d.20 mm, 6 pcs jig

Content for Tria maxi:

6 pcs jigs, 2 pcs window rods, 2 pcs door rods, 2 pcs bits, 2 pcs bit stops, 2 pcs hooks, 2 pcs wrenches, 6 pcs jig fastening knobs.

Single Jig

	Ø			
	13	E00133.13.01	1	1
	14	E00133.14.01	1	1
	16	E00133.16.01	1	1
T.maxi	16	E00133.16.03	1	1
	18	E00133.18.03	1	1
	20	E00133.20.03	1	1

Jigs rod for windows

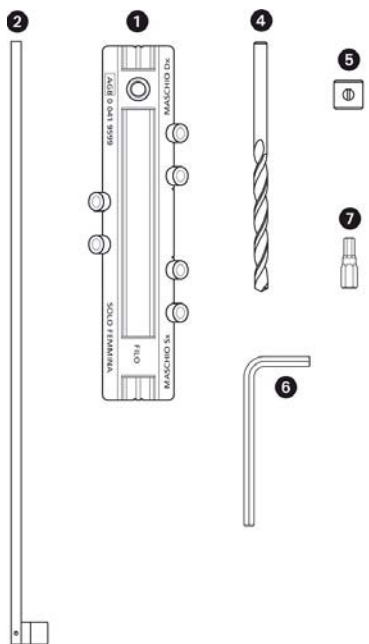
rh	E00136.00.03	1	1
lh	E00136.00.04	1	1

Jigs rod for balcony doors

	Ø			
rh	E00136.00.07	1	1	
lh	E00136.00.08	1	1	



For adjustable hinges mod. TOP e 3D - flush sash



- 1 Jig
- 2 Door rod
- 3 Window rod
- 4 Bit
- 5 Bit stop
- 6 Allen key
- 7 Insert bit for wrench

Box tool guide

Ø			
14-16	E00115.16.04	1	1
20	E00115.20.04	1	1

Content for mod. TOP e 3D Ø 14-16:

2 pcs jigs, 1 pc bit d.7,5-7,9 mm, 1 pc bit d.7,7 mm, 2 pcs bit stops,
3 pcs allen keys, 1 pc wrench, 2 pcs insert bit for wrench.

Content for mod. TOP e 3D Ø 20:

2 pcs jigs, 1 pc bit d.8,2 mm, 1 pc bit stop, 1 pc allen key, 1 pc wrench, 1 pc insert bit for wrench.

Kit guide fittings

Ø			
14-16	E00165.16.04	1	1
20	E00165.20.04	1	1

Content for mod. TOP e 3D Ø 14-16-20:

6 pcs jigs, 2 pcs window rods, 2 pcs door rods, 2 pcs bits, 2 pcs bit stops,
3 pcs allen keys, 2 pcs insert bits for wrench, 6 pcs jigs fastening knobs.

Single Jig

Ø			
14-16	E00133.16.04	1	1
20	E00133.20.04	1	1

Jigs rod for windows

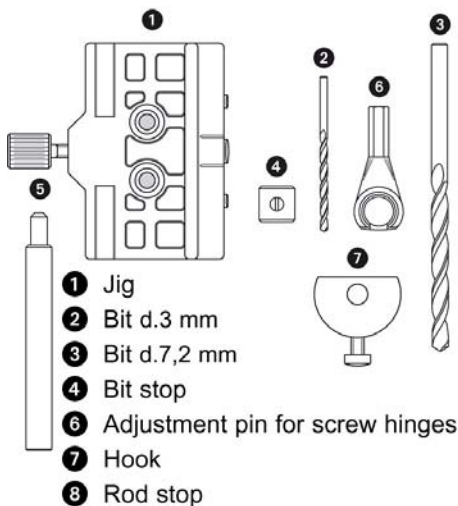
rh	E00136.00.11	1	1
lh	E00136.00.04	1	1

Jigs rod for balcony doors

Ø			
rh	E00136.00.15	1	1
lh	E00136.00.08	1	1
rh	E00136.00.23	1	1

NB: the accessories for Ø 14 3D hinges application are included in the package
art. E00115.16.04 and E00165.16.04

For third sash hinges - flush sash



- 1 Jig
- 2 Bit d.3 mm
- 3 Bit d.7,2 mm
- 4 Bit stop
- 6 Adjustment pin for screw hinges
- 7 Hook
- 8 Rod stop

Box tool guide

Ø			
14	E01122.14.01	1	1

Content for Ø14:

2 pcs jigs, 2 pcs bit stop, 2 pcs bit Ø7,2mm, 1 pc Adjustment pin for screw hinges, 2 pcs bit Ø3mm

Single Jig

	E01133.14.05	1	1
--	--------------	---	---



For aluminium/timber



Composit 9 mm axis

STEEL

ø 16	Bichromated	99	rh	E00164.08.01	12	12
	Bichromated	99	lh	E00164.08.02	12	12
	Silver	99	rh	E40164.08.01	12	12
	Silver	99	lh	E40164.08.02	12	12

Composit 12 mm axis

STEEL

ø 16	Bichromated	99	rh	E00164.10.01	12	12
	Bichromated	99	lh	E00164.10.02	12	12
	Silver	99	rh	E40164.10.01	12	12
	Silver	99	lh	E40164.10.02	12	12

Composit 26 mm axis

STEEL

ø 16	Bichromated	99	rh	E00164.40.01	12	12
	Bichromated	99	lh	E00164.40.02	12	12



Genius 18 mm rebate - for third sash

STEEL

ø 14	Bichromated	Axis 9	rh	E11159.08.01	12	48
	Bichromated	Axis 9	lh	E11159.08.02	12	48
	Bichromated	Axis 13	rh	E11159.10.01	12	48
	Bichromated	Axis 13	lh	E11159.10.02	12	48
	Bichromated	Axis 26	rh	E11159.40.01	12	48
	Bichromated	Axis 26	lh	E11159.40.02	12	48
	Silver	Axis 9	rh	E41159.08.01	12	48
	Silver	Axis 9	lh	E41159.08.02	12	48
	Silver	Axis 13	rh	E41159.10.01	12	48
	Silver	Axis 13	lh	E41159.10.02	12	48

Genius 20 mm rebate - for third sash

STEEL

ø 14	Bichromated	Axis 9	rh	E11160.08.01	12	48
	Bichromated	Axis 9	lh	E11160.08.02	12	48
	Bichromated	Axis 13	rh	E11160.10.01	12	48
	Bichromated	Axis 13	lh	E11160.10.02	12	48
	Bichromated	Axis 26	rh	E11160.40.01	12	48
	Bichromated	Axis 26	lh	E11160.40.02	12	48
	Silver	Axis 9	rh	E41160.08.01	12	48
	Silver	Axis 9	lh	E41160.08.02	12	48
	Silver	Axis 13	rh	E41160.10.01	12	48
	Silver	Axis 13	lh	E41160.10.02	12	48

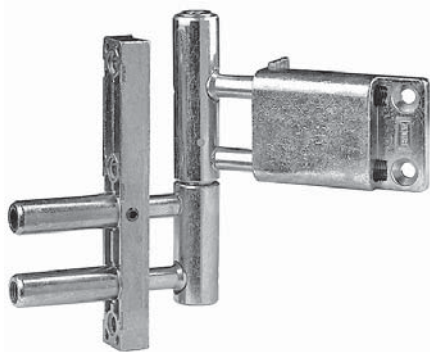
Genius 22 mm rebate - for third sash

STEEL

ø 14	Bichromated	Axis 9	rh	E11161.08.01	12	48
	Bichromated	Axis 9	lh	E11161.08.02	12	48
	Bichromated	Axis 13	rh	E11161.10.01	12	48
	Bichromated	Axis 13	lh	E11161.10.02	12	48
	Bichromated	Axis 26	rh	E11161.40.01	12	48
	Bichromated	Axis 26	lh	E11161.40.02	12	48



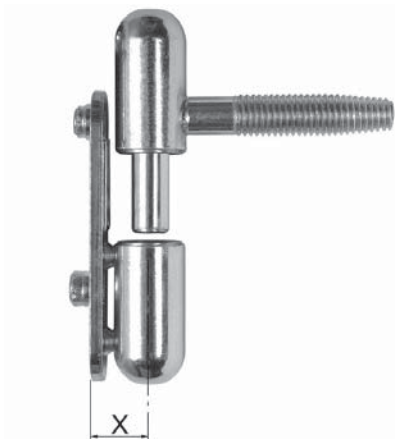
for PVC



Cartesio

STEEL

ø 16	Bichromated	99		E00155.16.04	12	48
------	-------------	----	--	--------------	----	----



Rever - reversible - M8 x 47 screw

STEEL X

ø 14	Silver finish	11	●	E01192.14.15	50	200
	White RAL 9010	11	●	E01192.14.91	50	200

NB: available with M7 pin



Mod.121 - M8 x 47 screw

STEEL

ø 13	White RAL 9010	45	45	E00121.13.91	40	400
	Brown	45	45	E00121.13.94	40	400
ø 14	White RAL 9010	50	50	E00121.14.91	40	200
	Brown	50	50	E00121.14.94	40	200



Mod.500 - M8 x 47 screw

STEEL

ø 15	Enam. brass plated	58	58	E00500.15.03	50	200
	Bichromated	58	58	E00500.15.04	50	200
	Zinc plated	58	58	E00500.15.05	50	200
	White RAL 9010	58	58	E00500.15.91	50	200
	Brown	58	58	E00500.15.94	50	200

Mod.500 - M7 x 47 screw

STEEL

ø 15	Bichromated	58		E00501.15.04	50	200
	Zinc plated	58		E00501.15.05	50	200
	Black zinc plat.			E00501.15.09	50	200
	White RAL 9010	58		E00501.15.91	50	200
	Brown	58		E00501.15.94	50	200



for PVC

Mod.500 reduced - M8 x 47 screw

STEEL

ø 13	Enam. brass plated	40,5	41	E00500.13.03	50	200
	Bichromated	40,5	41	E00500.13.04	50	200
	White RAL 9010	40,5	41	E00500.13.91	50	200
	Brown	40,5	41	E00500.13.94	50	200

Mod.500 reduced - M7 x 47 screw

STEEL

ø 13	White RAL 9010	40,5		E00501.13.91	50	200
	Brown	40,5		E00501.13.94	50	200



Mod.502 surface mounted

STEEL

ø 15	Bichromated	57,5		E00502.15.04	50	200
	White RAL 9010	57,5		E00502.15.91	50	200
	Brown	57,5		E00502.15.94	50	200



Mod.503 - M7 x 47 screw

STEEL

ø 15	White RAL 9010	57,5		E00503.15.91	50	200
	Brown	57,5		E00503.15.94	50	200



Mod.510 for square rebates

ZAMAK

ø 14	White RAL 9010	80		E00510.14.91	50	200
	Brown	80		E00510.14.94	50	200





for PVC



Mod.514 for 5° bevel rebates

ZAMAK

ø 14	White RAL 9010	80	E00514.14.91	50	200
	Brown	80	E00514.14.94	50	200



Mod.511 for square rebates

ZAMAK

ø 14	White RAL 9010	100	E00511.14.91	50	200
	Brown	100	E00511.14.94	50	200

Mod.515 for 5° bevel rebates

ZAMAK

ø 14	White RAL 9010	100	E00515.14.91	50	200
	Brown	100	E00515.14.94	50	200



Mod.512 symmetrical - M8 x 47 screw

ZAMAK

ø 13	White RAL 9010	80	E00512.13.91	50	200
	Brown	80	E00512.13.94	50	200

Mod.512 symmetrical - M7 x 47 screw

ZAMAK

ø 13	White RAL 9010	80	E00513.13.91	50	200
	Brown	80	E00513.13.94	50	200



Accessories - Covers



For hinges mod. COMPOSIT

ABS

Light bronze plated	rh	E01164.01.14	12	120
Light bronze plated	lh	E01164.02.14	12	120
Silver	rh	E01164.01.21	12	120
Silver	lh	E01164.02.21	12	120
Enam. brass plated	rh	E01164.01.50	12	120
Enam. brass plated	lh	E01164.02.50	12	120
White RAL 9010	rh	E01164.01.91	12	120
White RAL 9010	lh	E01164.02.91	12	120
Brown	rh	E01164.01.94	12	120
Brown	lh	E01164.02.94	12	120



For hinges mod. Genius

ABS

ø 14	Nickel plated	37	E11162.14.06	24	480
	Light bronze plated	37	E11162.14.14	24	480
	Enam. brass plated	37	E11162.14.50	24	480
	White RAL 9010	37	E11162.14.91	24	480
	Brown	37	E11162.14.94	24	480
	White RAL 9001	37	E11162.14.98	24	480
			E11162.14.21	24	480



For hinges mod. Cartesio

ABS

ø 16	Light bronze plated		E01155.16.14	12	120
	Silver		E01155.16.21	12	120
	Enam. brass plated		E01155.16.50	12	120
	White RAL 9010		E01155.16.91	12	120
	Brown		E01155.16.94	12	120
	White RAL 9001		E01155.16.98	12	120



For PVC hinges mod.500 and 503 ø 15 mm

ABS

ø 17	Light bronze plated	85	E00500.00.14	50	50
	Silver	85	E00500.00.21	50	50
	Enam. brass plated	85	E00500.00.50	50	50
	White RAL 9010	85	E00500.00.91	50	50
	Black	85	E00500.00.93	50	50
	Brown	85	E00500.00.94	50	50
	White RAL 9001	85	E00500.00.98	50	50

Accessories - Compensating shims



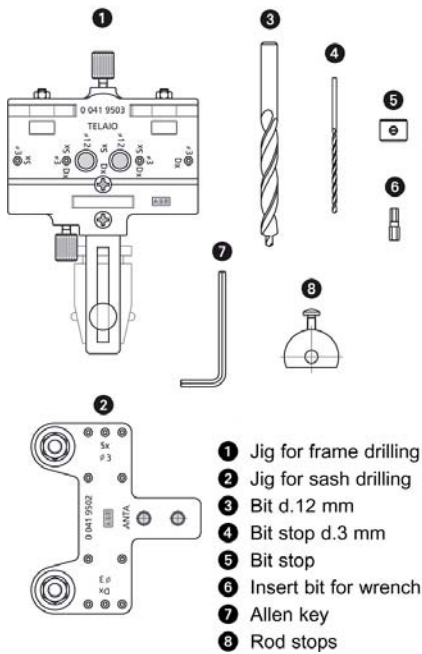
For hinges mod. Cartesio

NYLON

White RAL 9010	15° Angle	E01158.15.91	12	48
White RAL 9010	50° Angle	E01158.50.91	12	48



For hinges mod. Cartesio



- 1 Jig for frame drilling
- 2 Jig for sash drilling
- 3 Bit d.12 mm
- 4 Bit stop d.3 mm
- 5 Bit stop
- 6 Insert bit for wrench
- 7 Allen key
- 8 Rod stops

Box tool guide

E01500.00.05	1	1
--------------	---	---

Content for Cartesio:

2 pcs jigs for frame drilling, 2 pcs jigs for sash drilling, 1 pc bit d.12 mm, 2 pcs bits d.3 mm, 1 pc bit stop, 2 pcs insert bits for wrench, 2 pcs allen keys 5 mm, 2 pcs rod stops.

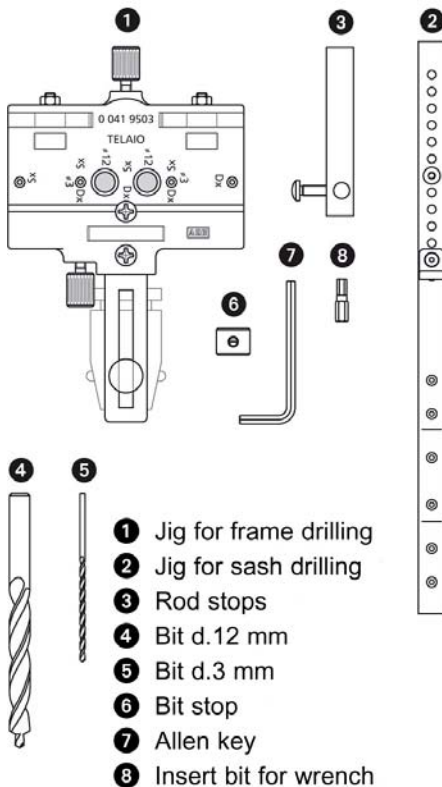
Single jig for frame drilling

E01500.00.06	1	1
--------------	---	---

Single jig for sash drilling

E01500.00.07	1	1
--------------	---	---

For hinges mod. COMPOSIT



- 1 Jig for frame drilling
- 2 Jig for sash drilling
- 3 Rod stops
- 4 Bit d.12 mm
- 5 Bit d.3 mm
- 6 Bit stop
- 7 Allen key
- 8 Insert bit for wrench

Box tool guide

E01500.00.10	1	1
--------------	---	---

Content for Composit:

2 pcs jigs for frame drilling, 2 pcs jigs for sash drilling, 1 pc bit d.12 mm, 2 pcs bits, 1 pc bit stop, 2 pcs insert bits for wrench, 2 pcs allen keys 5 mm, 2 pcs rod stops.

Single jig for frame drilling

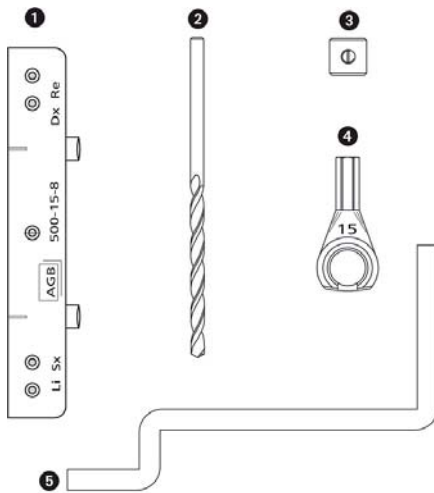
E01500.00.06	1	1
--------------	---	---

Single jig for sash drilling

E01500.00.11	1	1
--------------	---	---



For PVC hinges



- 1 Jig
- 2 Bit
- 3 Bit stop
- 4 Hook
- 5 Wrench

Box tool guide

For hinges art E00500 ø 15 mm

E01500.00.01 1 1

Content: 1 pc jig, 1 pc bit d.5,7 mm, 1 pc bit d.3 mm, 1 pc bit stop, 1 pc hook, 1 pc wrench.

For hinges art E00501 e E00503 ø 15 mm

E01500.00.09 1 1

Content: 1 pc jig, 1 pc bit d.5,7 mm, 1 pc bit d.3 mm, 1 pc bit stop, 1 pc hook, 1 pc wrench.

For hinges art E00510

E01500.00.02 1 1

Content: 1 pc jig, 1 pc bit ø3 mm.

For hinges art E00511

E01500.00.03 1 1

Content: 1 pc jig, 1 pc bit ø3 mm.

For hinges art E00512

E01500.00.04 1 1

Content: 2 pcs jigs, 1 pc bit d.6,8 mm, 1 pc bit d.3 mm, 1 pc bit stop, 1 pc hook.

For hinges art E00513

E01500.00.08 1 1

Content: 2 pcs jigs, 1 pc bit d.6,8 mm, 1 pc bit d.3 mm, 1 pc bit stop, 1 pc hook.



Hinges for PVC



Minimum order quantity: **1.000 hinges** fixed cost 72,849 net

For orders of over 10.000 pieces, enquire about price with our Sales Dept.

Pins $\varnothing 7 \times 1,25$ (extra charge for 1000 pcs)

Dimensions mm	Steel		Hardened	
	End-code	€	End-code	€
30	030	48,566	130	103,202
35	035	48,566	135	103,202
40	040	48,566	140	103,202
47	/	/	147	/
55	055	48,566	155	103,202
60	060	48,566	160	103,202

Pins $\varnothing 8 \times 1,25$ (extra charge for 1000 pcs)

Dimensions mm	Steel		Hardened	
	End-code	€	End-code	€
30	031	48,566	131	103,202
35	036	48,566	136	103,202
40	041	48,566	141	103,202
47	/	/	148	/
55	054	48,566	/	103,202
55 (*)	056	48,566	156	103,202
60	061	48,566	161	103,202

(*) Shaped.

Note. The end-codes must be added to the article code when making an order.

Example:

E00512.13.91 = Hinge $\varnothing 8 \times 1,25$ with 47 mm threaded pin.

E00512.13.91.041 = Hinge $\varnothing 8 \times 1,25$ with 40 mm steel threaded pin.

E00513.13.91 = Hinge $\varnothing 7 \times 1,25$ with 47 mm threaded pin.

E00513.13.91.130 = Hinge $\varnothing 7 \times 1,25$ with 30 mm case hardened threaded pin.

Note. Total price = net hinge price + pins extra charge + fixed cost.



To be soldered



Heavy duty with 2 leaves

STEEL

ø 18	Plain	140	E00200.14.01	10	100
ø 19	Plain	170	E00200.17.01	10	70
ø 21	Plain	200	E00200.20.01	10	60



Heavy duty with 2 leaves, rounded head

STEEL

ø 18	Plain	140	E00202.14.01	10	100
ø 19	Plain	170	E00202.17.01	10	70
ø 21	Plain	200	E00202.20.01	10	60



Heavy duty with 3 leaves

STEEL

ø 18	Plain	140	E00201.14.01	10	100
ø 19	Plain	170	E00201.17.01	10	70
ø 21	Plain	200	E00201.20.01	10	60



Standard with 2 leaves, rounded head

STEEL

ø 10	Plain	60	E00207.06.01	20	1000
ø 12	Plain	80	E00207.08.01	20	320
ø 13	Plain	100	E00207.10.01	20	240
ø 15	Plain	120	E00207.12.01	20	160
ø 16	Plain	140	E00207.14.01	20	120



To be soldered



Standard with 3 leaves

STEEL

ø 12	Plain	80	E00205.08.01	20	320
ø 13	Plain	100	E00205.10.01	20	240
ø 15	Plain	120	E00205.12.01	20	160
ø 16	Plain	140	E00205.14.01	20	120



Standard with 2 leaves

STEEL

ø 10	Plain	60	E00206.06.01	20	1000
ø 12	Plain	80	E00206.08.01	20	320
ø 13	Plain	100	E00206.10.01	20	240
ø 15	Plain	120	E00206.12.01	20	160
ø 16	Plain	140	E00206.14.01	20	120



Cap hinge

STEEL

ø 13	Plain	60	rh	E00203.06.01	12	240
	Plain	60	lh	E00204.06.01	12	240
ø 15	Plain	80	rh	E00203.08.01	12	168
	Plain	80	lh	E00204.08.01	12	168
ø 16	Plain	100	rh	E00203.10.01	12	120
	Plain	100	lh	E00204.10.01	12	120
ø 17	Plain	120	rh	E00203.12.01	12	120
	Plain	120	lh	E00204.12.01	12	120
ø 19	Plain	140	rh	E00203.14.01	12	60
	Plain	140	lh	E00204.14.01	12	60
ø 21	Plain	170	rh	E00203.17.01	12	72
	Plain	170	lh	E00204.17.01	12	72
	Plain	200	rh	E00203.20.01	12	60
	Plain	200	lh	E00204.20.01	12	60



Hercula with 2 narrow leaves and brass washer

STEEL

ø 20	Plain	97	E00208.10.01	12	72
------	-------	----	--------------	----	----



To be soldered

Hercula with 2 narrow leaves and thrust bearings

STEEL

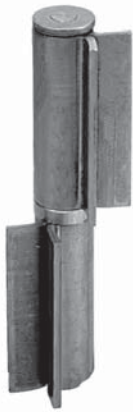
ø 20	Plain	97	E00209.10.01	12	72
------	-------	----	--------------	----	----



Hercula with 2 broad leaves and brass washer

STEEL

ø 20	Plain	193	E00210.19.01	6	36
------	-------	-----	--------------	---	----



Hercula with 2 broad leaves and thrust bearings

STEEL

ø 20	Plain	193	E00211.19.01	6	36
------	-------	-----	--------------	---	----





To be soldered



Hercula with 3 leaves and brass washer

STEEL					
ø 20	Plain	197	E00212.19.01	6	36



Hercula with 3 leaves and thrust bearings

STEEL					
ø 20	Plain	197	E00213.19.01	6	36



Hercula with 4 leaves and brass washer

STEEL					
ø 20	Plain	197	E00214.19.01	6	36



Hercula with 4 leaves and thrust bearings

STEEL					
ø 20	Plain	197	E00215.19.01	6	36



Push button bolts



13 mm forend

STEEL				
Length 120	Bronze plated	D00300.12.02	20	400
	Enam. brass plated	D00300.12.03	20	400
	Bichromated	D00300.12.04	20	400
	Nickel plated	D00300.12.06	20	400
Length 150	Bronze plated	D00300.15.02	20	400
	Enam. brass plated	D00300.15.03	20	400
	Bichromated	D00300.15.04	20	400
	Nickel plated	D00300.15.06	20	400
Length 200	Bronze plated	D00300.20.02	20	160
	Enam. brass plated	D00300.20.03	20	160
	Bichromated	D00300.20.04	20	160
Length 250	Bronze plated	D00300.25.02	20	180
	Enam. brass plated	D00300.25.03	20	180
	Bichromated	D00300.25.04	20	180
Length 300	Bronze plated	D00300.30.02	20	200
	Enam. brass plated	D00300.30.03	20	200
	Bichromated	D00300.30.04	20	200



16 mm forend

STEEL				
Length 120	Bronze plated	D00310.12.02	20	340
	Enam. brass plated	D00310.12.03	20	340
	Bichromated	D00310.12.04	20	340
Length 150	Bronze plated	D00310.15.02	20	360
	Enam. brass plated	D00310.15.03	20	360
	Bichromated	D00310.15.04	20	360
Length 200	Bronze plated	D00310.20.02	20	240
	Enam. brass plated	D00310.20.03	20	240
	Bichromated	D00310.20.04	20	240
Length 250	Bronze plated	D00310.25.02	20	180
	Enam. brass plated	D00310.25.03	20	180
	Bichromated	D00310.25.04	20	180
Length 300	Bronze plated	D00310.30.02	20	180
	Enam. brass plated	D00310.30.03	20	180
	Bichromated	D00310.30.04	20	180
Length 400	Bronze plated	D00310.40.02	20	120
	Enam. brass plated	D00310.40.03	20	120
	Bichromated	D00310.40.04	20	120
Length 500	Bronze plated	D00310.50.02	20	100
	Enam. brass plated	D00310.50.03	20	100
	Bichromated	D00310.50.04	20	100



Lever bolt



16 mm forend

STEEL

Length 150	Bronze plated	D00320.15.02	20	360
	Enam. brass plated	D00320.15.03	20	360
	Bichromated	D00320.15.04	20	360
	Zinc plated	D00320.15.05	20	360
	Nickel plated	D00320.15.06	20	360
	Matt chr. plated	D00320.15.34	20	360
Length 200	Bronze plated	D00320.20.02	20	240
	Enam. brass plated	D00320.20.03	20	240
	Bichromated	D00320.20.04	20	240
	Nickel plated	D00320.20.06	20	240
	Matt chr. plated	D00320.20.34	20	240
Length 250	Bronze plated	D00320.25.02	20	180
	Enam. brass plated	D00320.25.03	20	180
	Bichromated	D00320.25.04	20	180
	Nickel plated	D00320.25.06	20	180
	Matt chr. plated	D00320.25.34	20	180
Length 300	Bronze plated	D00320.30.02	20	180
	Enam. brass plated	D00320.30.03	20	180
	Bichromated	D00320.30.04	20	180
	Nickel plated	D00320.30.06	20	180
	Matt chr. plated	D00320.30.34	20	180
Length 400	Bronze plated	D00320.40.02	20	120
	Enam. brass plated	D00320.40.03	20	120
	Bichromated	D00320.40.04	20	120
	Nickel plated	D00320.40.06	20	120
	Matt chr. plated	D00320.40.34	20	120
Length 500	Bronze plated	D00320.50.02	20	100
	Enam. brass plated	D00320.50.03	20	100
	Bichromated	D00320.50.04	20	100
	Nickel plated	D00320.50.06	20	100
Length 600	Bronze plated	D00320.60.02	20	100
	Enam. brass plated	D00320.60.03	20	100
	Bichromated	D00320.60.04	20	100
Lenght 600	Nickel plated	D00320.60.06	20	100
Length 700	Bronze plated	D00320.70.02	20	100
	Enam. brass plated	D00320.70.03	20	100
	Bichromated	D00320.70.04	20	100
Length 800	Bronze plated	D00320.80.02	20	100
	Enam. brass plated	D00320.80.03	20	100
	Bichromated	D00320.80.04	20	100
Lenght 800	Nickel plated	D00320.80.06	20	100

BRASS

Length 150	Enam. polished	D00321.15.10	20	360
Length 200	Enam. polished	D00321.20.10	20	240
Length 250	Enam. polished	D00321.25.10	20	180
Length 300	Enam. polished	D00321.30.10	20	180
Length 400	Enam. polished	D00321.40.10	20	120
Length 500	Enam. polished	D00321.50.10	20	100
Length 600	Enam. polished	D00321.60.10	20	100
Length 800	Enam. polished	D00321.80.10	20	100



20 mm forend

ZAMAK

Length 200	Bronze plated	D00350.20.02	10	60
	Bichromated	D00350.20.04	10	60
	Silver	D00350.20.15	10	60
Length 250	Bronze plated	D00350.25.02	10	90
	Bichromated	D00350.25.04	10	90
	Silver	D00350.25.15	10	90
Length 300	Bronze plated	D00350.30.02	10	90
	Bichromated	D00350.30.04	10	90
	Silver	D00350.30.15	10	90
Length 400	Bronze plated	D00350.40.02	10	80
	Bichromated	D00350.40.04	10	80
	Silver	D00350.40.15	10	80



Vertical bolts



18,5 mm forend - to be soldered

STEEL

Length 200	Bichromated	D00330.20.04		10	90
Length 300	Bichromated	D00330.30.04		10	80
Length 400	Bichromated	D00330.40.04		10	80
Length 500	Bichromated	D00330.50.04		10	70



18,5 mm forend with flat push rod - fixing with screws

STEEL

Length 200	Bronze plated	D00331.20.02	10	90
	Bichromated	D00331.20.04	10	90
Length 300	Bronze plated	D00331.30.02	10	80
	Bichromated	D00331.30.04	10	80
Length 400	Bronze plated	D00331.40.02	10	80
	Bichromated	D00331.40.04	10	80
Length 500	Bronze plated	D00331.50.02	10	70
	Bichromated	D00331.50.04	10	70



18,5 mm forend with round push rod - fixing with screws

STEEL

Length 200	Bronze plated	D00338.20.02	10	90	
	Bichromated	D00338.20.04	10	90	
	Black	D00338.20.93	10	90	
Length 300	Bronze plated	D00338.30.02	10	80	
	Bichromated	D00338.30.04	10	80	
	Silver	D00338.30.15		10	80
	Black	D00338.30.93	10	80	
Length 400	Bronze plated	D00338.40.02	10	80	
	Bichromated	D00338.40.04	10	80	
	Black	D00338.40.93	10	80	
Length 500	Bronze plated	D00338.50.02	10	70	
	Bichromated	D00338.50.04	10	70	
	Black	D00338.50.93	10	70	

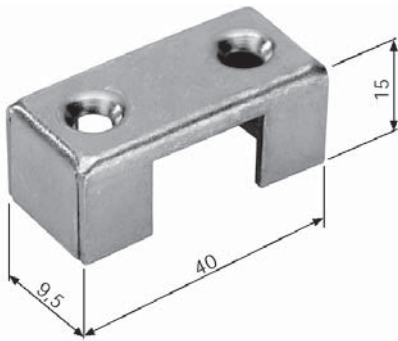


Accessories for bolts



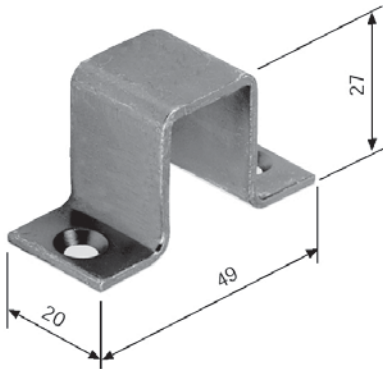
Compensating shim for lever bolt, 20 mm forend

NYLON				
	Black	D00350.99.93	20	20



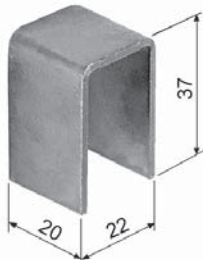
Flush strikers

STEEL				
	Bronze plated	D00333.01.02	50	500
	Bichromated	D00333.01.04	50	500



Rebated strikers

STEEL				
	Bronze plated	D00333.02.02	50	500
	Bichromated	D00333.02.04	50	500
	Black	D00333.02.93	50	500



Keeps to be soldered

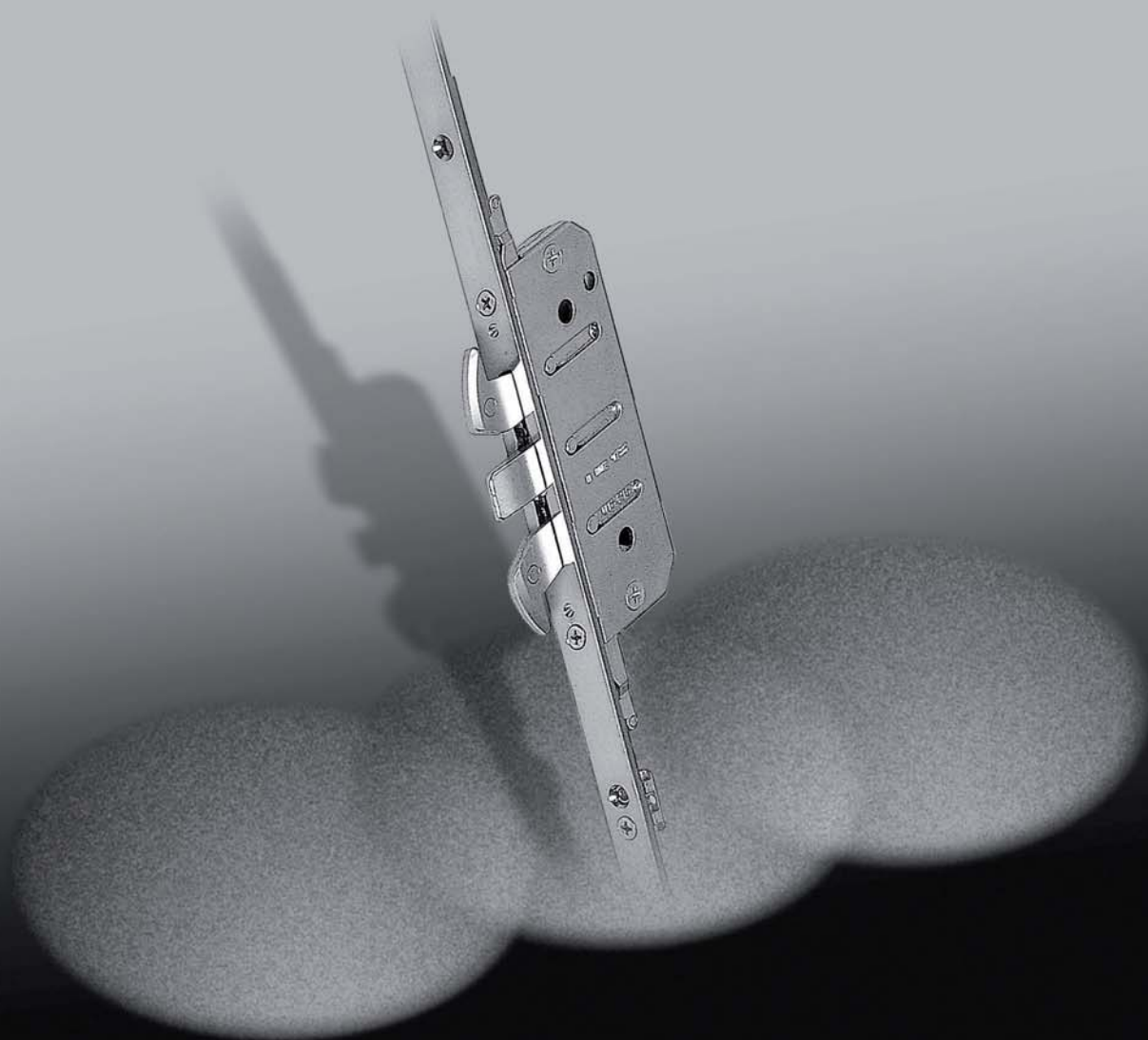
STEEL				
	Bichromated	D00333.03.04	50	500



Bushing

BRASS				
		$\varnothing i - \varnothing e$		
	Plain	8,5 - 11	D00301.08.01	200 2000
	Plain	10,5 - 13	D00301.10.01	200 2000
	Plain	13,5 - 16	D00301.13.01	100 1000

MULTIPOINTS LOCKS



Multipoint locks








Sicurtop POSEIDON - 85 mm centre	pag.	189
Sicurtop POSEIDON - 92 mm centre	pag.	190
Sicurtop mod. 1685 - 85 mm centre with rollers - not extensible	pag.	191
Sicurtop mod. 1686 - 85 mm centre with roller cams	pag.	192
Sicurtop mod. 11400 - 85mm centre with mushroom cams	pag.	193
Sicurtop mod. 1688 - 85 mm centre with bolts and cams	pag.	194
Sicurtop mod. 1686 - 92 mm centre with cam and terminal	pag.	195
Sicurtop - Terminals	pag.	196
Sicurtop - Extension	pag.	197
Sicurtop - Electric strikers half wing	pag.	199
Sicurtop - Electric strikers long wing	pag.	200
Sicurtop - Strikers	pag.	201
Sicurtop - One-piece strikers for Poseidon, single sash	pag.	206
Sicurtop - One-piece striker for Poseidon, double sash	pag.	207
Sicurtop - Lever Bolts	pag.	208
Sicurtop - Roundbolts	pag.	209
Sicurtop - Jigs	pag.	210



Unitop Poseidon	pag.	215
Unitop mod. 457 - 2454 with rollers - not extensible	pag.	216
Unitop mod. 458 - 1455 with rollers and shootbolt	pag.	217
Unitop - Terminals	pag.	218
Unitop - Extensions	pag.	219
Unitop - Strikers	pag.	219
Unitop - U 30 steel strikers for PVC	pag.	222
Unitop - One-piece strikers for Poseidon, single sash	pag.	223
Unitop - One-piece striker for Poseidon, double sash	pag.	224
Extensible Bolt for Euronut 8+5 groove	pag.	225
Unitop - Lever bolts - 8 mm shoot bolt	pag.	226
Unitop - Lever bolts - 9,5 mm shoot bolt	pag.	227
Unitop - Jigs	pag.	228
Unitop - Accessories	pag.	230
For the remaining strikers see Unitop strikers	pag.	230

Multipoint locks

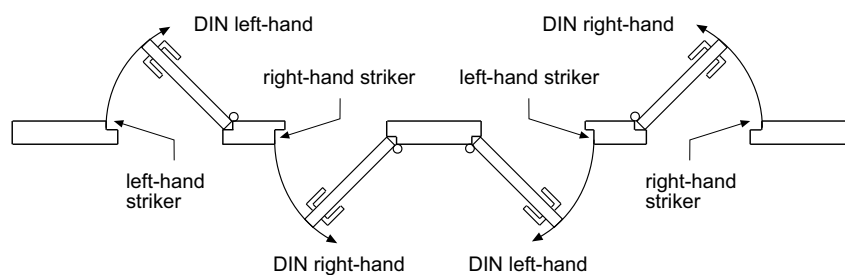
Symbols for the locking cams

				
P	CN	GN	F	N
Poseidon	Deadbolt and roller cam	Roller cam and hook	Mushroom cam	Roller cam

DIN 107 standard concerning door-hand

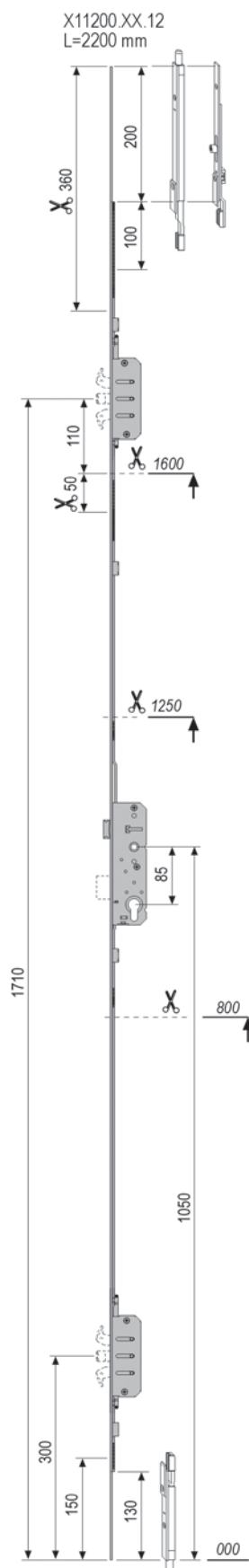
A door is defined as "right-handed" or "left-handed" when, from the opening side, the hinges are located on the "right" or "left", respectively.

AGB electrical strikers are defined right hand or left hand according to this rule:





Sicurtop POSEIDON - 85 mm centre



16 mm faceplate

APPLICATION RANGE 1840-2200 mm

Backset 35	2200 mm	2P	W11200.35.12	5	5
Backset 40	2200 mm	2P	W11200.40.12	5	5
Backset 45	2200 mm	2P	W11200.45.12	5	5
Backset 50	2200 mm	2P	W11200.50.12	5	5
Backset 55	2200 mm	2P	W11200.55.12	5	5
Backset 60	2200 mm	2P	W11200.60.12	5	5
Backset 70	2200 mm	2P	W11200.70.12	5	5

NB: Application range without terminals

APPLICATION RANGE 1950-2400 mm

Backset 35	2400 mm	2P	W11200.35.13	5	5
Backset 40	2400 mm	2P	W11200.40.13	5	5
Backset 45	2400 mm	2P	W11200.45.13	5	5
Backset 50	2400 mm	2P	W11200.50.13	5	5
Backset 55	2400 mm	2P	W11200.55.13	5	5
Backset 60	2400 mm	2P	W11200.60.13	5	5
Backset 70	2400 mm	2P	W11200.70.13	5	5

NB: Application range without terminals

20 mm faceplate

APPLICATION RANGE 1840-2200 mm

Backset 35	2200 mm	2P	W11201.35.12	5	5
Backset 40	2200 mm	2P	W11201.40.12	5	5
Backset 45	2200 mm	2P	W11201.45.12	5	5
Backset 50	2200 mm	2P	W11201.50.12	5	5
Backset 55	2200 mm	2P	W11201.55.12	5	5
Backset 60	2200 mm	2P	W11201.60.12	5	5
Backset 70	2200 mm	2P	W11201.70.12	5	5

NB: Application range without terminals

APPLICATION RANGE 1950-2400 mm

Backset 35	2400 mm	2P	W11201.35.13	5	5
Backset 40	2400 mm	2P	W11201.40.13	5	5
Backset 45	2400 mm	2P	W11201.45.13	5	5
Backset 50	2400 mm	2P	W11201.50.13	5	5
Backset 55	2400 mm	2P	W11201.55.13	5	5
Backset 60	2400 mm	2P	W11201.60.13	5	5
Backset 70	2400 mm	2P	W11201.70.13	5	5

NB: Application range without terminals

Roller latch - Extra charge

Available for all backsets

Order with end-code 210

W112xx.xx.xx.210 5 5

Upper shoot bolt with reverse gear

To be ordered separately

16 mm faceplate - 200 mm	W01690.00.03	20	20
20 mm faceplate - 200 mm	W02090.00.03	20	20

Lower roundbolt

To be ordered separately

16 mm faceplate - 130 mm	W01690.00.01	20	100
20 mm faceplate	W02090.00.01	20	100

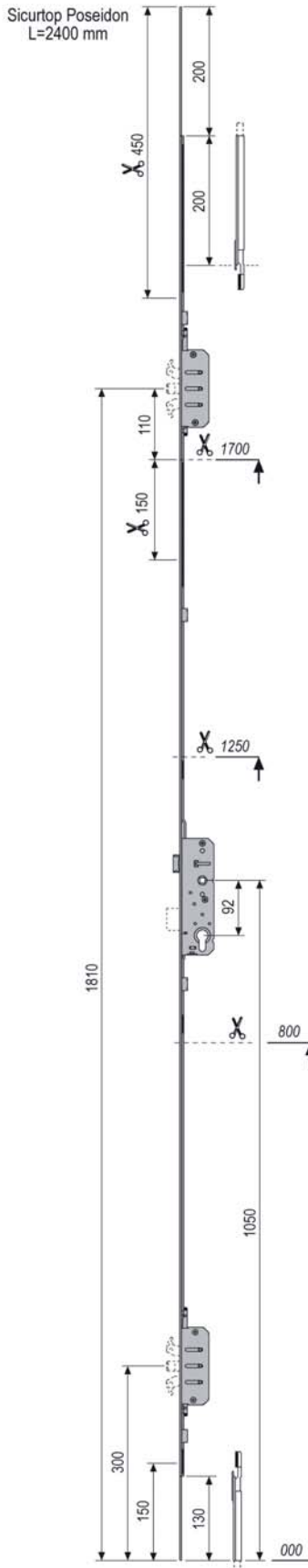
Upper terminal with roller cam

To be ordered separately

16 mm faceplate - 200 mm	1N	W01690.00.13	20	20
--------------------------	----	--------------	----	----



Sicurtop POSEIDON - 92 mm centre



16 mm faceplate

APPLICATION RANGE 1950-2400 mm

Backset 35	2400 mm	2P	W11220.35.13	☎	5	5
Backset 40	2400 mm	2P	W11220.40.13		5	5
Backset 45	2400 mm	2P	W11220.45.13		5	5
Backset 50	2400 mm	2P	W11220.50.13	☎	5	5
Backset 55	2400 mm	2P	W11220.55.13		5	5
Backset 65	2400 mm	2P	W11220.65.13	☎	5	5

NB: Application range without terminals

20 mm faceplate

APPLICATION RANGE 1950-2400 mm

Backset 35	2400 mm	2P	W11221.35.13	☎	5	5
Backset 40	2400 mm	2P	W11221.40.13	☎	5	5
Backset 45	2400 mm	2P	W11221.45.13	☎	5	5
Backset 50	2400 mm	2P	W11221.50.13	☎	5	5
Backset 55	2400 mm	2P	W11221.55.13	☎	5	5
Backset 65	2400 mm	2P	W11221.65.13	☎	5	5
Backset 80	2200 mm	2P	W11221.80.12	☎	5	5
	2400 mm	2P	W11221.80.13	☎	5	5

NB: Application range without terminals

Roller latch - Extra charge

Available in all backsets

Order with end-code 210

W112xxxx.xx.210 ☎ 5 5

Upper shoot bolt with reverse gear

To be ordered separately

16 mm faceplate - 200 mm W01690.00.03 20 20

Lower roundbolt

To be ordered separately

16 mm faceplate - 130 mm W01690.00.01 20 100

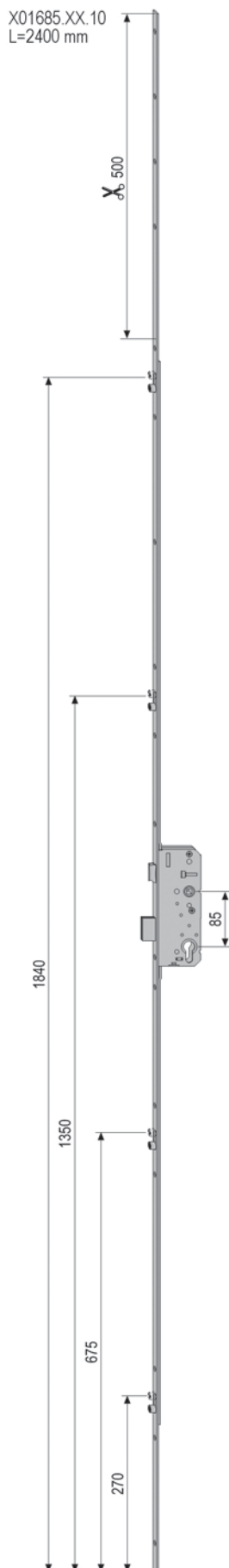
Upper terminal with roller cam

To be ordered separately

16 mm faceplate - 200 mm 1N W01690.00.13 20 20



Sicurtop mod. 1685 - 85 mm centre with rollers - not extensible



16 mm faceplate

APPLICATION RANGE 1900-2400 mm

Backset 35	2400 mm	4 N	W01685.35.10	5	5
Backset 40	2400 mm	4 N	W01685.40.10	5	5
Backset 45	2400 mm	4 N	W01685.45.10	5	5
Backset 50	2400 mm	4 N	W01685.50.10	5	5
Backset 55	2400 mm	4 N	W01685.55.10	5	5
Backset 60	2400 mm	4 N	W01685.60.10	5	5
Backset 70	2400 mm	4 N	W01685.70.10	5	5

20 mm faceplate

APPLICATION RANGE 1900-2400 mm

Backset 50	2400 mm		W02085.50.10	5	5
Backset 60	2400 mm		W02085.70.10	5	5

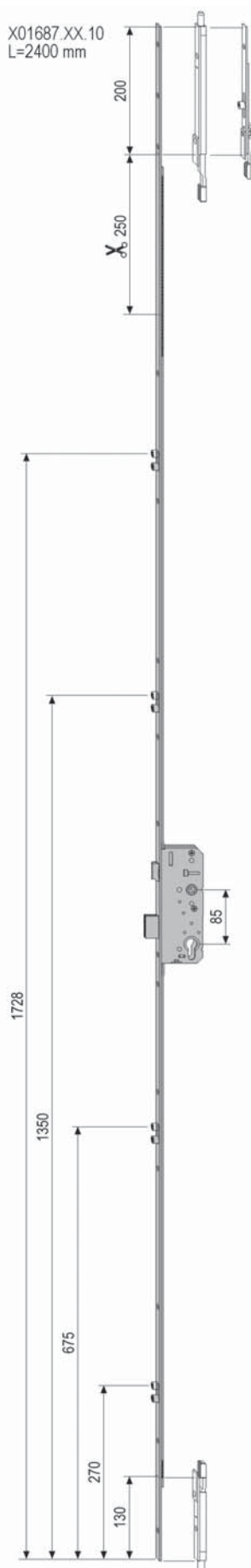
Roller latch - Extra charge

Available for all backsets

Order with end-code 210			W01685xx.xx.210	5	5
-------------------------	--	--	-----------------	---	---



Sicurtop mod. 1686 - 85 mm centre with roller cams



16 mm faceplate

APPLICATION RANGE 1900-2150 mm

Backset 35	2150 mm	3 N	W01686.35.09	5	5
Backset 40	2150 mm	3 N	W01686.40.09	5	5
Backset 45	2150 mm	3 N	W01686.45.09	5	5
Backset 50	2150 mm	3 N	W01686.50.09	5	5
Backset 55	2150 mm	3 N	W01686.55.09	5	5
Backset 60	2150 mm	3 N	W01686.60.09	5	5

NB: Application range is inclusive of 200 mm upper terminal

APPLICATION RANGE 2150-2400 mm

Backset 35	2400 mm	4 N	W01687.35.10	5	5
Backset 40	2400 mm	4 N	W01687.40.10	5	5
Backset 45	2400 mm	4 N	W01687.45.10	5	5
Backset 50	2400 mm	4 N	W01687.50.10	5	5
Backset 55	2400 mm	4 N	W01687.55.10	5	5
Backset 60	2400 mm	4 N	W01687.60.10	5	5
Backset 70	2400 mm	4 N	W01687.70.10	5	5

NB: Application range is inclusive of 200 mm upper terminal

Roller latch - Extra charge

Available for all backsets

Order with end-code 210	W0168x.xx.xx.210	☎	5	5
-------------------------	------------------	---	---	---

Lower roundbolt

To be ordered separately

16 mm faceplate	16 mm	W01690.00.01	20	100
-----------------	-------	--------------	----	-----

Upper roundbolt with reverse gear

To be ordered separately

16 mm faceplate	W01690.00.03	20	20
-----------------	--------------	----	----

Upper terminal with roller cam

To be ordered separately

16 mm faceplate - 200 mm	1N	W01690.00.13	20	20
--------------------------	----	--------------	----	----



Sicurtop mod. 11400 - 85mm centre with mushroom cams



16 mm faceplate

APPLICATION RANGE 1900-2150 mm

Backset 35	2150 mm	3	W11400.35.12	5	5
Backset 40	2150 mm	3	W11400.40.12	5	5
Backset 45	2150 mm	3	W11400.45.12	5	5
Backset 50	2150 mm	3	W11400.50.12	5	5
Backset 55	2150 mm	3	W11400.55.12	5	5
Backset 60	2150 mm	3	W11400.60.12	5	5
Backset 70	2150 mm	3	W11400.70.12	5	5

NB: Application range is inclusive of 200 mm upper terminal

APPLICATION RANGE 2150-2400 mm

Backset 35	2400 mm	4	W11400.35.13	5	5
Backset 40	2400 mm	4	W11400.40.13	5	5
Backset 45	2400 mm	4	W11400.45.13	5	5
Backset 50	2400 mm	4	W11400.50.13	5	5
Backset 55	2400 mm	4	W11400.55.13	5	5
Backset 60	2400 mm	4	W11400.60.13	5	5
Backset 70	2400 mm	4	W11400.70.13	5	5

NB: Application range is inclusive of 200 mm upper terminal

Roller latch - Extra charge

Available for all backsets

Order with end-code 210	W11400.xx.xx.210	5	5
-------------------------	------------------	---	---

Lower roundbolt

To be ordered separately

16 mm faceplate - 130 mm	W01690.00.01	20	100
--------------------------	--------------	----	-----

Upper roundbolt with reverse gear

To be ordered separately

16 mm faceplate - 200 mm	W01690.00.03	20	20
--------------------------	--------------	----	----

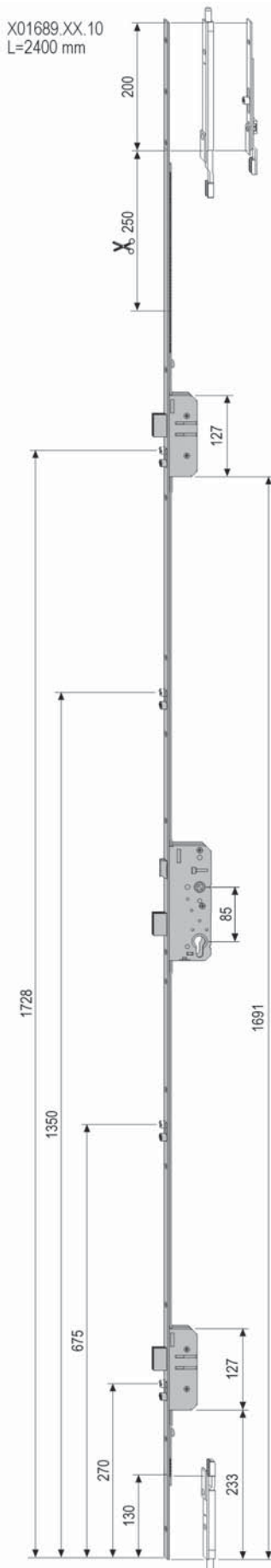
Upper terminal with mushroom cam

To be ordered separately

16 mm faceplate - 200 mm	1F	W99900.00.06	20	20
--------------------------	----	--------------	----	----



Sicurtop mod. 1688 - 85 mm centre with bolts and cams



16 mm faceplate

APPLICATION RANGE 1900-2150 mm

Backset 35	2150 mm	2CN + N	W01688.35.09	5	5
Backset 40	2150 mm	2CN + N	W01688.40.09	5	5
Backset 45	2150 mm	2CN + N	W01688.45.09	5	5
Backset 50	2150 mm	2CN + N	W01688.50.09	5	5
Backset 55	2150 mm	2CN + N	W01688.55.09	5	5
Backset 60	2150 mm	2CN + N	W01688.60.09	5	5

NB: Application range is inclusive of 200 mm upper terminal

APPLICATION RANGE 2150-2400 mm

Backset 35	2400 mm	2CN+2N	W01689.35.10	5	5
Backset 40	2400 mm	2CN+2N	W01689.40.10	5	5
Backset 45	2400 mm	2CN+2N	W01689.45.10	5	5
Backset 50	2400 mm	2CN+2N	W01689.50.10	5	5
Backset 55	2400 mm	2CN+2N	W01689.55.10	5	5
Backset 60	2400 mm	2CN+2N	W01689.60.10	5	5
Backset 70	2400 mm	2CN+2N	W01689.70.10	5	5

NB: Application range is inclusive of 200 mm upper terminal

Roller latch - Extra charge

Available for all backsets

Order with end-code 210	W0168x.xx.xx.210	5	5
-------------------------	------------------	---	---

Lower roundbolt

To be ordered separately

16 mm faceplate - 130 mm	W01690.00.01	20	100
--------------------------	--------------	----	-----

Upper roundbolt with reverse gear

To be ordered separately

16 mm faceplate - 200 mm	W01690.00.03	20	20
--------------------------	--------------	----	----

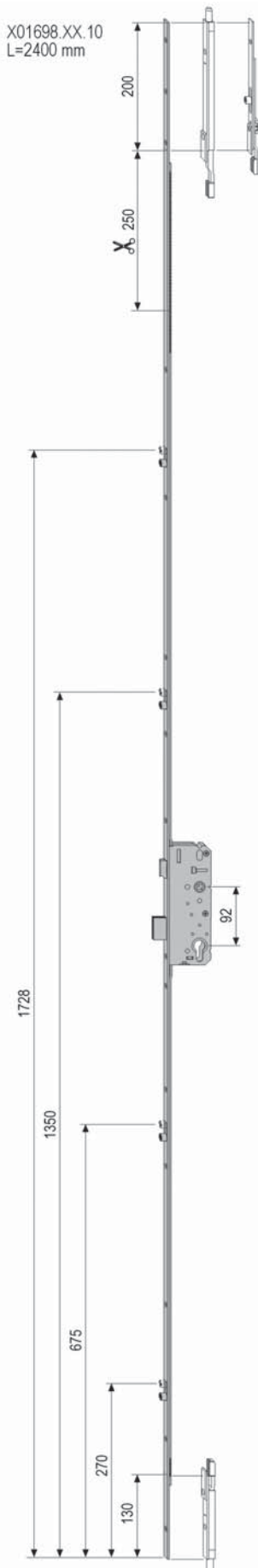
Upper roundbolt with roller cam

To be ordered separately

16 mm faceplate - 200 mm	1N	W01690.00.13	20	20
--------------------------	----	--------------	----	----



Sicurtop mod. 1686 - 92 mm centre with cam and terminal



16 mm faceplate

APPLICATION RANGE 2150-2400 mm

Backset 35	2400 mm	4	W01698.35.10	5	5
Backset 45	2400 mm	4	W01698.45.10	5	5
Backset 55	2400 mm	4	W01698.55.10	5	5
Backset 65	2400 mm	4	W01698.65.10	5	5

NB: Application range is inclusive of 200 mm upper terminal

Roller latch - Extra charge

Available in all backsets

Order with end-code 210	W01698.xx.xx.210	5	5
-------------------------	------------------	---	---

Lower roundbolt

To be ordered separately

16 mm faceplate - 130 mm	W01690.00.01	20	100
--------------------------	--------------	----	-----

Upper roundbolt with reverse gear

To be ordered separately

16 mm faceplate - 200 mm	W01690.00.03	20	20
--------------------------	--------------	----	----

Upper terminal with roller cam

To be ordered separately

16 mm faceplate - 200 mm	1N	W01690.00.13	20	20
--------------------------	----	--------------	----	----



Sicurtop - Terminals



Lower roundbolt

Length 130 mm

16 mm faceplate - 130 mm	W01690.00.01	20	100
20 mm faceplate	W02090.00.01	20	100



Upper roundbolt with reverse gear

Length 200 mm

16 mm faceplate - 200 mm	W01690.00.03	20	20
20 mm faceplate - 200 mm	W02090.00.03	20	20



Upper terminal with roller cam

Length 200 mm

16 mm faceplate - 200 mm	1N	W01690.00.13	20	20
--------------------------	----	--------------	----	----



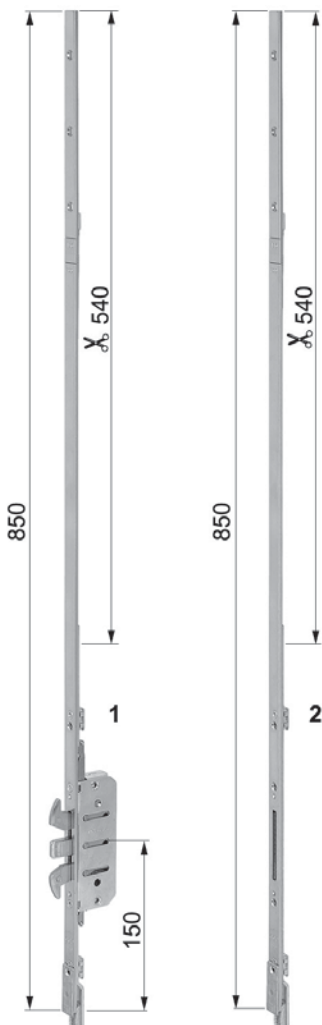
Sicurtop - Terminals



Upper terminal with mushroom cam

Length 200 mm				
16 mm faceplate - 200 mm	1F	W99900.00.06	20	20

Sicurtop - Extension



1 Extension with Poseidon box

16 mm faceplate				
Lower	1P	W99800.00.15	5	5
Upper	1P	W99800.00.10	5	5
20 mm faceplate				
Lower	1P	W99801.00.15	5	5
Upper	1P	W99801.00.10	5	5

2 Extension without Poseidon box

16 mm faceplate				
Lower		W99800.00.16	5	5
Upper		W99800.00.11	5	5
20 mm faceplate				
Lower		W99801.00.16	5	5
Upper		W99801.00.11	5	5

NB: Use this extension to reduce the lock application range.

Poseidon box removed from the lock can be fixed here with screws.



Sicurtop - Extension



1 Without roller cam

16 mm faceplate		W99800.00.18	20	20
-----------------	--	--------------	----	----

2 With roller cam

16 mm faceplate	1N	W01690.00.04	20	20
20 mm faceplate	1N	W02090.00.04	20	20

3 With mushroom cam

16 mm faceplate	1F	W99800.00.17	20	20
-----------------	----	--------------	----	----

4 With bolt + roller cam

16 mm faceplate	1CN	W01690.00.05	20	20
-----------------	-----	--------------	----	----



Sicurtop - Electric strikers half wing



18 mm width, adjustable, with repeater

STEEL - With manual release lever 12V AC/DC

gap 4	18x208x33,5 rh	W98004.01.01	1	1
	18x208x33,5 lh	W98104.01.01	1	1
gap 12	18x243x33,5 rh	W98004.05.01	1	1
	18x243x33,5 lh	W98104.05.01	1	1
gap 11 (8+6)	18x243x33,5 rh	W98004.03.01	1	1
	18x243x33,5 lh	W98104.03.01	1	1
gap 11 (8+7)	18x243x33,5 rh	W98004.04.01	1	1
	18x243x33,5 lh	W98104.04.01	1	1



24 mm width, adjustable, with repeater

STEEL - With manual release lever 12V AC/DC

Gap 12, Axis 13	24x243x33,5 lh	W98004.CR.01	1	1
Gap 12, axis 13	24x243x33,5 lh	W98104.CR.01	1	1

ELECTRIC DEVICE	Tension	Nominal resistance	DC absorption (stabilized)	AC absorption	Max latch preloading DC (stabilized)	Max latch preloading AC
		12V+/-1V	7,7Ω	1560 mA	1100 mA	30N



Width 18 mm, Striker only

Without electric device (use with 16 mm electric devices only)

gap 4*	18x243x33,5 rh	W98000.01.00	10	10
	18x243x33,5 lh	W98100.01.00	10	10
gap 12	18x243x33,5 rh	W98000.05.00	10	10
	18x243x33,5 lh	W98100.05.00	10	10
gap 11 (8+7)	18x243x33,5 rh	W98000.04.00	10	10
	18x243x33,5 lh	W98100.04.00	10	10

NB: to be used with 16 mm width strikers only

*Lunghezza differente rispetto alla piastra venduta con blocchetto elettrico W98004.01.01 e



Sicurtop - Electric strikers long wing



18 mm width, adjustable, with repeater

STEEL - With manual release lever 12V AC/DC

gap 4	18x208x33,5 rh	W97004.01.01	1	1
	18x208x33,5 lh	W97104.01.01	1	1
gap 12	18x243x33,5 rh	W97004.05.01	1	1
	18x243x33,5 lh	W97104.05.01	1	1
gap 11 (8+6)	18x243x35,5 rh	W97004.03.01	1	1
	18x243x35,5 lh	W97104.03.01	1	1
gap 11 (8+7)	18x243x33,5 rh	W97004.04.01	1	1
	18x243x33,5 lh	W97104.04.01	1	1



24 mm width, adjustable, with repeater

STEEL - With manual release lever 12V AC/DC

Gap 12, Axis 13	24x243x33,5 rh	W97004.CR.01	1	1
	24x243x33,5 lh	W97104.CR.01	1	1

ELECTRIC DEVICE	Tension	Nominal resistance	DC absorption (stabilized)	AC absorption	Max latch preloading DC (stabilized)	Max latch preloading AC
		12V+/-1V	7,7 Ω	1560 mA	1100 mA	30N



Replacing insert for electric strikers

ADJUSTABLE KIT

Nickel plated	F98900.00.06	1	10
---------------	--------------	---	----

AGB electric devices



B02600.XX.01 (rh)
B02600.XX.02 (lh)

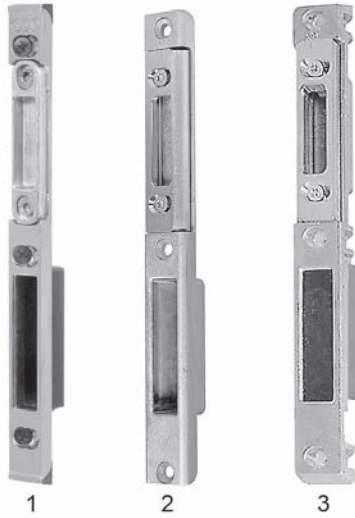
Description	Model		
<p>Electric strikers for Sicurtop</p>	Gap 4	F9X004.01.01 (rh)	B02600.04.02
		F9X104.01.01 (lh)	B02600.04.01
	Gap 11/12	F9X004.XX.01 (rh)	B02600.04.01
		F9X104.XX.01 (lh)	B02600.04.02
	Gap 12 Axis 13	W97004.CR.01 (rh)	B02600.04.01
		W97104.CR.01 (lh)	B02600.04.02

Diagram for electric devices replacement on AGB strikers



Sicurtop - Strikers

NB: for U30 strikers for PVC systems please refer to Unitop chapter - "U30 steel strikers for PVC profiles PVC"



Latch + bolt - adjustable

16 mm faceplate

1 gap 4	18X208X8,5		W11692.01.01	20	20
2 gap 4 axis 13	32X208X8,5	rh	● F851DC.11.15	20	20
	23X208X8,5	lh	● F852DC.11.15	20	20
1 gap 11 (8+6)	18X208X8,5	lh	W11692.03.01	20	20
	18X208X8,5	rh	W11692.03.02	20	20
1 gap 11 (8+7)	18X208X8,5	lh	W11692.04.01	20	20
	18X208X8,5	rh	W11692.04.02	20	20
gap 12	18X208X8,5		W11692.05.01	20	20
3 gap 12 axis 13	24X216X8,5	rh	F851CR.11.15	20	20
	24X216X8,5	lh	F852CR.11.15	20	20

FOR MILLING MACHINES

gap 4	18X194X8,5		F851DE.11.15	☎ 20	20
	18X194X8,5		F852DE.11.15	☎ 20	20

Latch + bolt - fixed

20 mm faceplate

gap 4	20X208X8,5	Cent. 85	W01693.01.01	☎ 20	100
-------	------------	----------	--------------	------	-----



Latch + bolt - for flush doors - adjustable

20 mm faceplate

		X			
For 45 mm door thickness	12,5 mm		W99620.08.46	5	5
For 57 mm door thickness	18,5 mm		W99620.08.58	5	5





Sicurtop - Strikers



Latch + bolt - flush doors - fixed

20 mm faceplate				
For 45 mm door thickness	rh		W99621.08.45	5 150
For 45 mm door thickness	lh		W99622.08.45	5 150
For 57 mm door thickness	rh		W99621.08.57	5 150
For 57 mm door thickness	lh		W99622.08.57	5 150



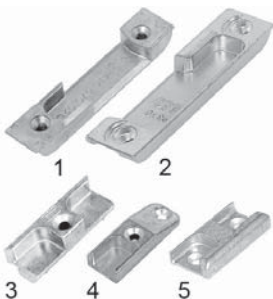
Latch - adjustable

16 mm faceplate				
gap 4	18X82x8	Hole h 30mm	A40017.01.12	50 500
gap 11 (8+7)	18x93x8,5	Hole h 35mm	W01694.04.01	50 250
gap 12	18X93x8,5	Hole h 35mm	W01695.05.01	50 500
Pvc		Hole h 35mm	A40017.xx.12	50 300



Bolt

16 mm faceplate				
gap 11 (8+7)	18X79X8		W01694.04.03	50 200
gap 12	18X79X8,5		W01695.05.03	50 200
Pvc			A40017.xx.22	50 200



Roller cam

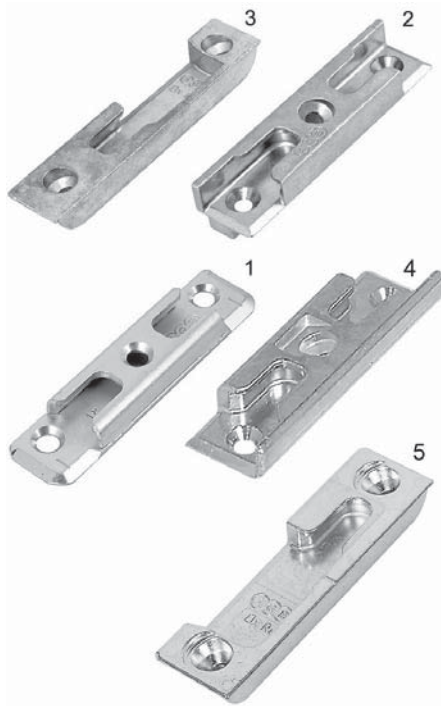
16 mm faceplate				
1 gap 4	18X82X8,5		W01692.01.02	50 250
5 gap 4	23X82X8	rh	● A48011.DC.02	50 500
		lh	● A48012.DC.02	50 500
2 gap 11	17X46X8,5		W01694.04.02	50 500
3 gap 12	18X46X9,5		W01695.05.02	50 500
4 gap 12	23X46X8,5	rebate 24	A48010.CR.02	50 500

20 mm faceplate				
1 gap 4	20X82X8,5		W01693.01.02	50 250

NB: with Sicurtop , us rh gap 4, axis 13 turned upside-down for lh openings and viceversa



Sicurtop - Strikers



Mushroom cam

16 mm faceplate

5	gap 4	23X82X8	rh axis 13	A48011.DC.13	50	500
		23X82X8	lh axis 13	A48012.DC.13	50	500
3	gap 4	18X82X8,5		W99611.01.31	20	200
		18X82X8,5		W99612.01.31	20	200
2	gap 11	18X72X9	Can. 8+6	A40017.03.13	50	500
		18X72X9	Can. 8+7	A40017.04.13	50	500
1	gap 12	18X74X8,5	Asse 9	A48013.05.22	50	250
4	gap 12	24X72X9	axis 13	A48010.CR.13	50	300

NB: with Sicurtop , use rh gap 4, axis 13 turned upside-down for lh openings and viceversa



Mushroom, gap 11 for double sash

ZAMAK

Groove 8+6	rh	A48011.03.13	☎	50	500
Groove 8+6	lh	A48012.03.13	☎	50	500
Groove 8+7	rh	A48011.04.13	☎	50	500
Groove 8+7	lh	A48012.04.13	☎	50	500

NB: See technical catalog for application



Mushroom, gap 12 - double sashes

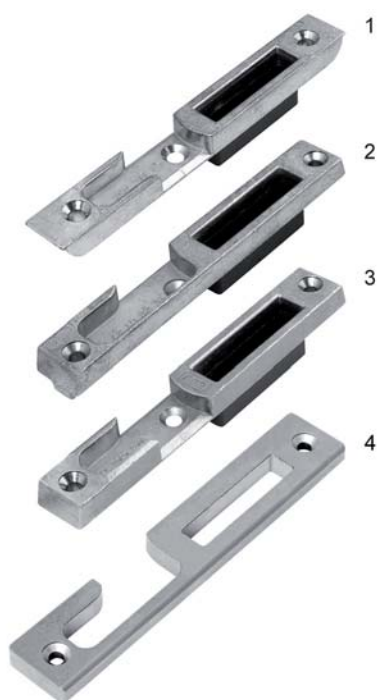
ZAMAK

	rh	A48011.05.13	☎	50	500
	lh	A48012.05.13	☎	50	500

NB: See technical catalog for application



Sicurtop - Strikers



1 Roller cam + bolt

16 mm faceplate

1	gap 4	18X134X8,5		W01692.01.03	20	200
2	gap 11	18X126X8	Gro.(8+7) rh	W01694.04.04	20	200
		18X126X8	Gro.(8+7) lh	W01694.04.05	20	200
3	gap 12	18X126X8,5		W01695.05.04	20	200
4	gap 12	23X126X8	steel	F850CR.03.15	20	200
	Pvc rh			A40017.xx.30	50	200
	Pvc lh			A40017.xx.31	50	200

3 FOR MILLING MACHINES

gap 4		rh		F851DE.03.15	20	20
		lh		F852DE.03.15	20	20



Poseidon - adjustable

16 mm Faceplate

1	gap 4	18X178X8,5		W99610.01.13	20	20
2	gap 4 axis 13	23X208X8,5	*	F850DC.13.15	20	20
1	gap 12	18X180X8,5	**	W99610.05.13	20	20
1	gap 11 (8+6)	18X182X7		W99610.03.13	20	20
1	gap 11(8+7)	18X182X7		W99610.04.13	20	20
3	gap 12 axis 13	24X216X8,5		F850CR.13.15	20	20

* NB: for double sash windows and doors, gap 4, axis 13, andbolt with adjustable rod, use F853DC.13.15

** NB: for double sash windows and doors, gap 12, axis 13, andbolt with adjustable rod, use F853CR.13.15

1 Poseidon for flush doors - adjustable

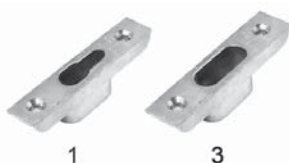
20 mm faceplate

W99620.08.13	10	50
--------------	----	----

2 Poseidon for flush doors - fixed

20 mm faceplate

W99620.08.17	10	100
--------------	----	-----



Shoot bolts, for double sash - fixed

16 mm faceplate

1	gap 4	18X78X8,5		W01692.01.05	50	250
3	gap 12	18X78X8,5		W01695.06.02	50	500

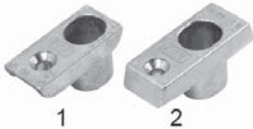


Sicurtop - Strikers



Shoot bolts, for double sash - fixed, 3 holes

gap 12 axis 13	23X82X8	F850CR.05.15	20	20
----------------	---------	--------------	----	----



Shoot bolts, for single sash - fixed

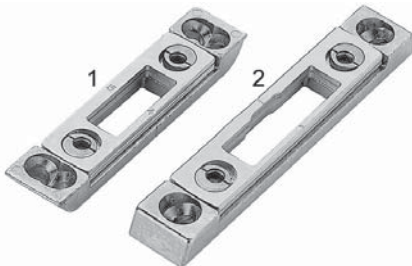
16 mm faceplate

1 gap 4	18X40X8,5	W01692.01.04	50	500
2 gap 12	18X46X8,5	W01695.06.01	50	500



Shoot bolts with spring cover

1/2 SASHES	Silver**	ø esterno 18 mm	W01696.00.04	50	500
------------	----------	-----------------	--------------	----	-----



Adjustable striker for lever bolts

1 gap 4	18X82x8	Steel	W01697.01.13	50	500
2 gap 12	17X102X8	Steel	W01697.06.13	50	250
gap 12 axis 13	23X82X8		F850CR.05.15	20	20



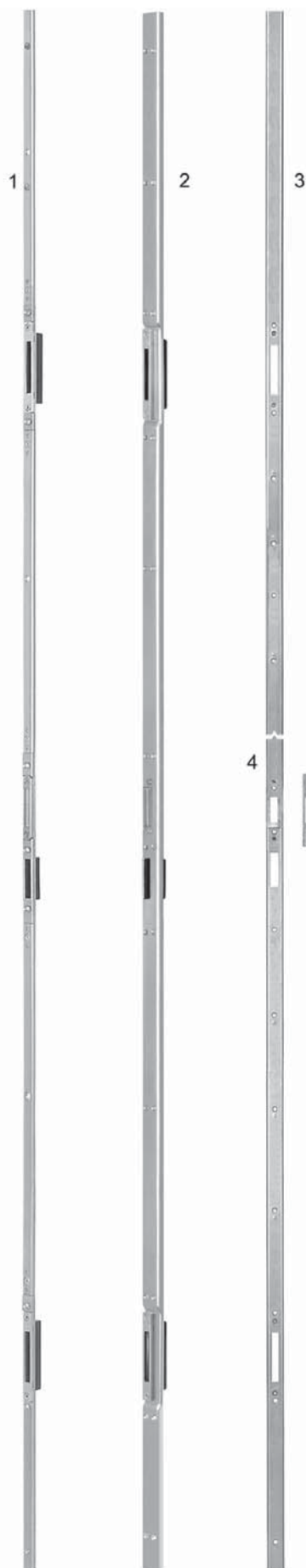
Adjustable push rods striker kit with adapters

2 sashes	31X71X22,5	W99699.03.03	1	150
----------	------------	--------------	---	-----

NB: for U30 strikers for PVC systems please refer to Unitop chapter - "U30 steel strikers for PVC profiles PVC"



Sicurtop - One-piece strikers for Poseidon, single sash



U18 x 8 One-piece striker

1				
gap 4	1870 mm	W99610.01.20	5	5
	1970 mm	W99610.01.21	5	5
gap 12	2216 mm	W99610.05.20	5	5
	2416 mm	W99610.05.21	5	5

U30 x 8 One-piece striker

2				
2216 mm	rh	W99631.07.20	5	5
	lh	W99632.07.20	5	5
2416 mm	rh	W99631.07.21	5	5
	lh	W99632.07.21	5	5

NB: the bolt hand is determined by the main sash

U26 x 8 One-piece striker

4 BOTTOM				
1192 mm		W99721.10.00	☎ 1	5
3 TOP				
1231 mm		W99721.11.00	☎ 1	5
5 LATCH PLATE				
	Rebate	W99721.02.01	☎ 1	20
	Flush doors	W99721.02.00	☎ 1	20
4 ELECTRIC BOTTOM				
1192 mm	rh	W99721.12.01	☎ 1	5
	lh	W99721.12.02	☎ 1	5

NB: the bolt hand is determined by the main sash



Sicurtop - One-piece striker for Poseidon, double sash



U18 x 8 One-piece striker

1 WITH BOLT INCLUDED

2212 mm	rh	W99611.00.29	5	5
	lh	W99612.00.29	5	5
2412 mm	rh	W99611.00.30	5	5
	lh	W99612.00.30	5	5

NB: the striker does not include the upper push rod.

W20067.05.xx or W20068.05.xx can be coupled

(the last when upper terminal W01690.00.13 is used on the lock)

U18 x 8 One-piece striker

1 WITH BOLT INCLUDED FOR EXTENSIBLE BOLT 16/12

2200 mm	rh	W99611.19.29	3	3
	lh	W99612.19.29	3	3
2400 mm	rh	W99611.19.30	3	3
	lh	W99612.19.30	3	3

NB: the striker does not include the upper push rod.

W20067.19.xx or W20068.19.xx can be coupled

(the last when upper terminal W01690.00.13 is used on the lock)

U26 x 8 One-piece striker

2 BOTTOM

1180 mm		W99721.00.00	☎ 1	5
---------	--	--------------	-----	---

3 CENTRAL

1170 mm		W99721.01.01	☎ 1	5
---------	--	--------------	-----	---

4 TERMINAL

150 mm		W99721.03.00	☎ 1	5
--------	--	--------------	-----	---

5 LATCH PLATE

	Rebate	W99721.02.01	☎ 1	20
	Flush doors	W99721.02.00	☎ 1	20

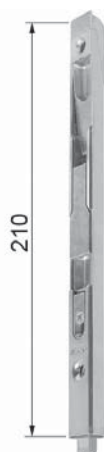
2 ELECTRIC BOTTOM

1180 mm	rh	W99721.05.01	☎ 1	5
	lh	W99721.05.02	☎ 1	5

NB: the bolt hand is determined by the main sash



Sicurtop - Lever Bolts



Upper and lower - adjustable throw

18 mm faceplate

Length 210	gap 4		W20067.01.01	20	180	
	gap 11 (8+5)		W20067.02.01	20	180	
	gap 11 (8+6)	rh	W20067.03.01	20	180	
	gap 11 (8+6)	lh	W20167.03.01	20	180	
	gap 11 (8+7)	rh	W20067.04.01	20	180	
	gap 11 (8+7)	lh	W20167.04.01	20	180	
	gap 12		W20067.05.01	20	180	
	16/12 eurogroove			W20067.19.01	20	180
	Length 300	gap 4		W20067.01.02	20	180
		gap 11 (8+5)		W20067.02.02	20	180
gap 11 (8+6)		rh	W20067.03.02	20	180	
gap 11 (8+6)		lh	W20167.03.02	20	180	
gap 11 (8+7)		rh	W20067.04.02	20	180	
gap 11 (8+7)		lh	W20167.04.02	20	180	
gap 12			W20067.05.02	20	180	
16/12 eurogroove			W20067.19.02	20	180	
Length 400		gap 4		W20067.01.03	20	20
		gap 11 (8+5)		W20067.02.03	20	20
	gap 11 (8+6)	rh	W20067.03.03	20	20	
	gap 11 (8+6)	lh	W20167.03.03	20	20	
	gap 11 (8+7)	rh	W20067.04.03	20	20	
	gap 11 (8+7)	lh	W20167.04.03	20	20	
	gap 12		W20067.05.03	20	20	
	16/12 eurogroove			W20067.19.03	20	20
	Length 600	gap 4		W20067.01.04	20	20
		gap 11 (8+5)		W20067.02.04	20	20
gap 11 (8+6)		rh	W20067.03.04	20	20	
gap 11 (8+6)		lh	W20167.03.04	20	20	
gap 11 (8+7)		rh	W20067.04.04	20	20	
gap 11 (8+7)		lh	W20167.04.04	20	20	
gap 12			W20067.05.04	20	20	
16/12 eurogroove			W20067.19.04	20	20	



Upper with roller cam striker - adjustable throw

18 mm faceplate

Length 360	gap 4		W20068.01.01	20	120	
	gap 11 (8+5)		W20068.02.01	20	120	
	gap 11 (8+6)	rh	W20068.03.01	20	120	
	gap 11 (8+6)	lh	W20168.03.01	20	120	
	gap 11 (8+7)	rh	W20068.04.01	20	120	
	gap 11 (8+7)	lh	W20168.04.01	20	120	
	gap 12		W20068.05.01	20	120	
	16/12 eurogroove			W20068.19.01	20	20
	Length 550	gap 4		W20068.01.02	20	20
		gap 11 (8+5)		W20068.02.02	20	20
gap 11 (8+6)		rh	W20068.03.02	20	20	
gap 11 (8+6)		lh	W20168.03.02	20	20	
gap 11 (8+7)		rh	W20068.04.02	20	20	
gap 11 (8+7)		lh	W20168.04.02	20	20	
gap 12			W20068.05.02	20	20	
16/12 eurogroove			W20068.19.02	20	20	



Sicurtop - Lever Bolts



Lower with Poseidon striker - adjustable throw

18 mm faceplate

Length 390	gap 4	rh	W99710.01.01	10	60
	gap 4	lh	W99710.01.02	10	60
	gap 11 (8+5)	rh	W99710.02.01	10	60
	gap 11 (8+5)	lh	W99710.02.02	10	60
	gap 11 (8+6)	rh	W99710.03.01	10	60
	gap 11 (8+6)	lh	W99710.03.02	10	60
	gap 11 (8+7)	rh	W99710.04.01	10	60
	gap 11 (8+7)	lh	W99710.04.02	10	60
	gap 12	rh	W99710.05.01	10	60
	gap 12	lh	W99710.05.02	10	60

Sicurtop - Roundbolts



Lower/Upper

18 mm faceplate

Length 180	gap 4	W01691.01.01	20	20
Length 200	gap 12	W01691.05.01	20	20
Length 300	gap 4	W01691.01.02	20	20
	gap 12	W01691.05.02	20	20
Length 400	gap 4	W01691.01.03	20	20
	gap 12	W01691.05.03	20	20

Lower/Upper for eurogroove 16/12

18 mm faceplate

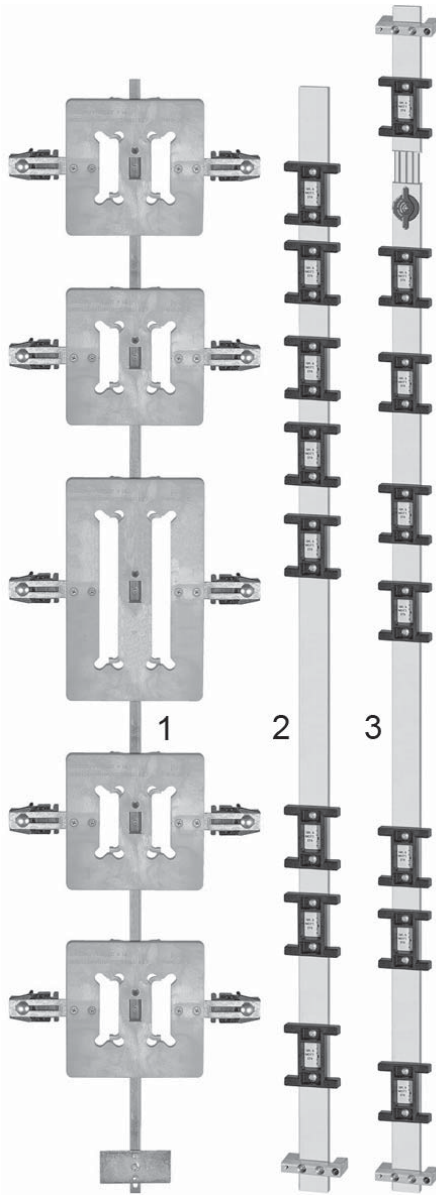
Length 200	● W99704.19.01	20	20
Length 300	● W99704.19.02	20	20
Length 400	● W99704.19.03	20	20



Sicurtop - Jigs

Complete kit for mod. 1685-1686-1687

1	gap 4	F01700.01.01	1	1
2	gap 11-12 and PVC	F01700.06.01	1	1
3	gap 12 1686-1687 with term.	F99501.06.08	1	1

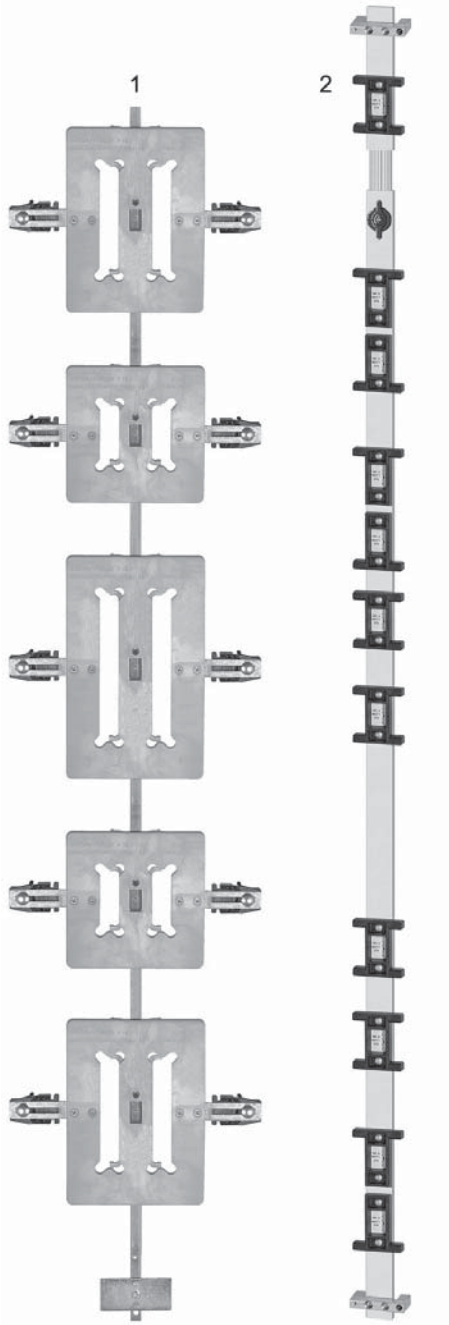




Sicurtop - Jigs

Complete kit for mod. 1688-1689

1	gap 4	F01700.01.02	1	1
2	gap 12 1688-1689 with term.	F99501.06.02	1	1

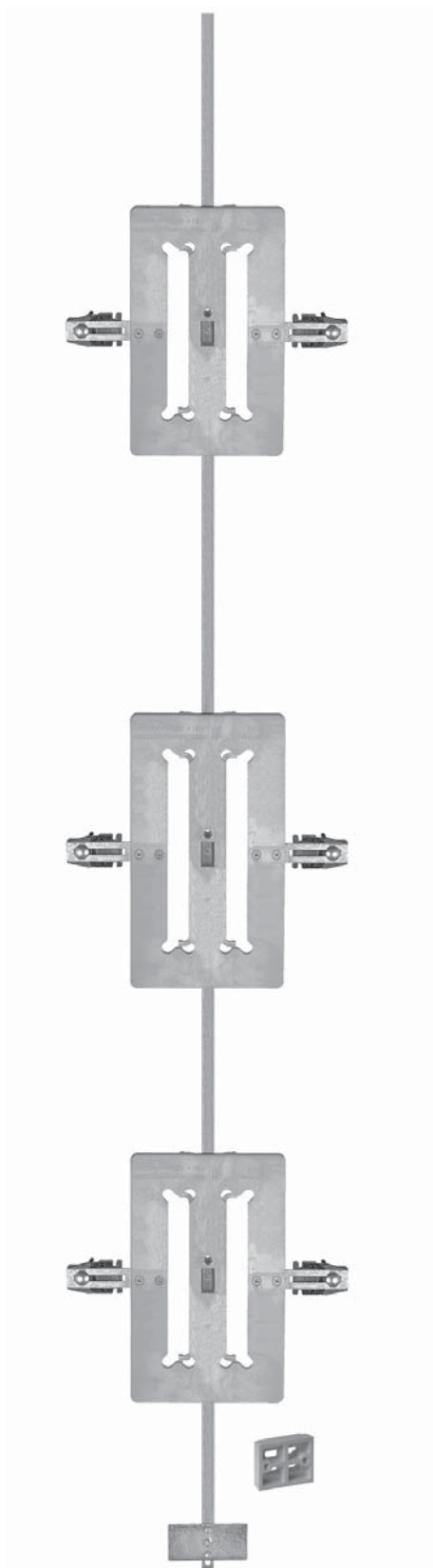




Sicurtop - Jigs

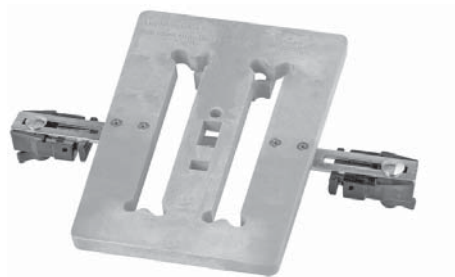
Complete kit for Poseidon (Unitop and Sicurtop)

Poseidon	F99501.01.03	1	1
----------	--------------	---	---





Sicurtop - Jigs



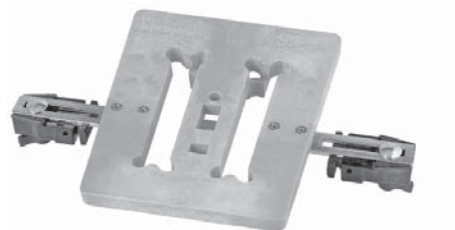
Single Jig - Poseidon hooks

gap 4	F99503.01.04	1	1
-------	--------------	---	---



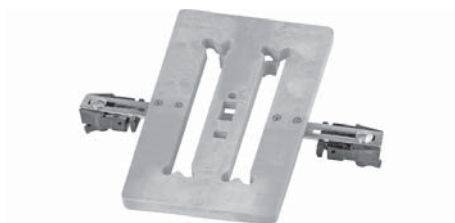
For roller cam striker

gap 4	F01700.01.05	1	1
-------	--------------	---	---



For bolt and roller cam strikers

gap 4	F01700.01.04	1	1
-------	--------------	---	---



For central strikers

gap 4	F01700.01.03	1	1
-------	--------------	---	---



Jigs rod

	F01700.01.09	1	1
--	--------------	---	---



Second rebate shim

	A20030.01.24	1	1
--	--------------	---	---



Sicurtop - Jigs



Wing nut for jig fastening

A20030.01.03	1	1
--------------	---	---

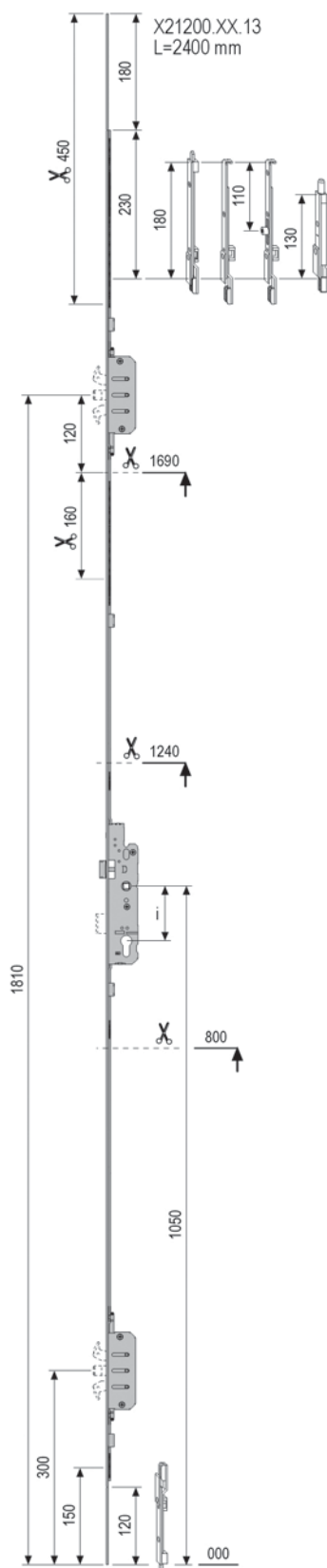


Clamp for jigs

F01700.01.06	1	1
--------------	---	---



Unitop Poseidon



85 mm centre - 16 mm faceplate

APPLICATION RANGE 1840-2200 mm

Backset 25	2200 mm	2P	W21200.25.12	🔑	5	5
Backset 30	2200 mm	2P	W21200.30.12	🔑	5	5
Backset 35	2200 mm	2P	W21200.35.12	🔑	5	5
Backset 40	2200 mm	2P	W21200.40.12	🔑	5	5
Backset 45	2200 mm	2P	W21200.45.12	🔑	5	5
Backset 50	2200 mm	2P	W21200.50.12	🔑	5	5
Backset 55	2200 mm	2P	W21200.55.12	🔑	5	5

NB: Application range without terminals

APPLICATION RANGE 1950-2400 mm

Backset 25	2400 mm	2P	W21200.25.13	🔑	5	5
Backset 30	2400 mm	2P	W21200.30.13	🔑	5	5
Backset 35	2400 mm	2P	W21200.35.13	🔑	5	5
Backset 40	2400 mm	2P	W21200.40.13	🔑	5	5
Backset 45	2400 mm	2P	W21200.45.13	🔑	5	5
Backset 50	2400 mm	2P	W21200.50.13	🔑	5	5
Backset 55	2400 mm	2P	W21200.55.13	🔑	5	5

NB: Application range without terminals

92 mm centre - 16 mm faceplate

APPLICATION RANGE 1950-2400 mm

Backset 25	2400 mm	2P	W21220.25.13	🔑	5	5
Backset 30	2400 mm	2P	W21220.30.13	🔑	5	5
Backset 35	2400 mm	2P	W21220.35.13	🔑	5	5
Backset 40	2400 mm	2P	W21220.40.13	🔑	5	5
Backset 45	2400 mm	2P	W21220.45.13	🔑	5	5
Backset 50	2400 mm	2P	W21220.50.13	🔑	5	5
Backset 55	2400 mm	2P	W21220.55.13	🔑	5	5

NB: Application range without terminals

92 mm centre - 20 mm faceplate

APPLICATION RANGE 1950-2400 mm

Backset 55	2400 mm	2P	W21221.55.13	🔑	5	5
------------	---------	----	--------------	---	---	---

NB: Application range without terminals

Shoot bolt

11 mm throw

Length 120	A40487.00.02	20	200
Length 180	A40487.00.01	20	200

15 mm throw

Length 180	A40486.00.01	20	200
Length 120	A40486.00.02	20	200

Upper terminal

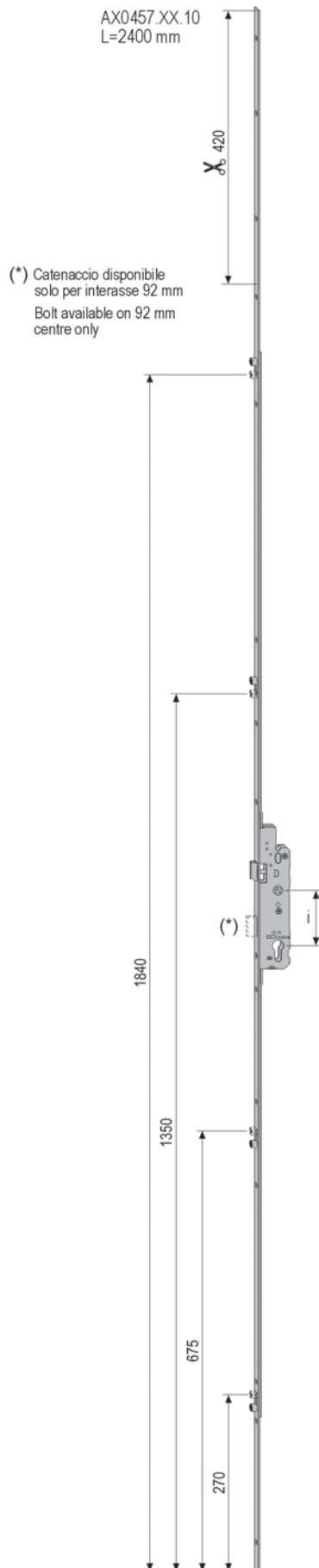
Length 180	Without cam	A40481.00.04	20	20
	With roller cam	A40481.00.13	20	20

Roundbolt, \varnothing 9,5 mm

16 mm faceplate	W01690.00.01	20	100
20 mm faceplate	W02090.00.01	20	100



Unitop mod. 457 - 2454 with rollers - not extensible



85 mm centre - 16 mm faceplate

APPLICATION RANGE 1600-2100 mm

Backset 25	2100 mm	Latch only	3 N	A40457.25.09	10	10
Backset 30	2100 mm	Latch only	3 N	A40457.30.09	10	10
Backset 35	2100 mm	Latch only	3 N	A40457.35.09	10	10
Backset 40	2100 mm	Latch only	3 N	A40457.40.09	10	10
Backset 45	2100 mm	Latch only	3 N	A40457.45.09	10	10
Backset 50	2100 mm	Latch only	3 N	A40457.50.09	10	10
Backset 55	2100 mm	Latch only	3 N	A40457.55.09	10	10

APPLICATION RANGE 1980-2400 mm

Backset 25	2400 mm	Latch only	4 N	A40457.25.10	10	10
Backset 30	2400 mm	Latch only	4 N	A40457.30.10	10	10
Backset 35	2400 mm	Latch only	4 N	A40457.35.10	10	10
Backset 40	2400 mm	Latch only	4 N	A40457.40.10	10	10
Backset 45	2400 mm	Latch only	4 N	A40457.45.10	10	10
Backset 50	2400 mm	Latch only	4 N	A40457.50.10	10	10
Backset 55	2400 mm	Latch only	4 N	A40457.55.10	10	10

92 mm centre - 16 mm faceplate

APPLICATION RANGE 1770-2200 mm

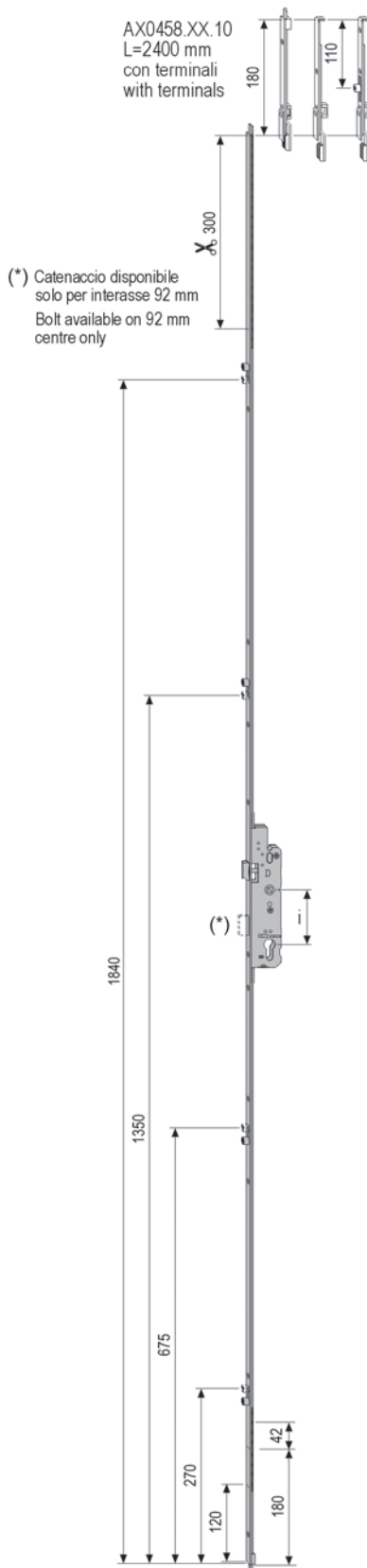
Backset 45	2200 mm		4N	A42454.45.09	5	5
------------	---------	--	----	--------------	---	---

APPLICATION RANGE 1980-2400 mm

Backset 35	2400 mm		4N	A42454.35.10	5	5
Backset 40	2400 mm		4N	A42454.40.10	5	5
Backset 45	2400 mm		4N	A42454.45.10	5	5
Backset 55	2400 mm		4N	A42454.55.10	5	5



Unitop mod. 458 - 1455 with rollers and shootbolt



85 mm centre - 16 mm faceplate

APPLICATION RANGE 1800-2100 mm

Backset 25	1920 mm	Latch only	3 N	A40458.25.09	10	10
Backset 30	1920 mm	Latch only	3 N	A40458.30.09	10	10
Backset 35	1920 mm	Latch only	3 N	A40458.35.09	10	10
Backset 40	1920 mm	Latch only	3 N	A40458.40.09	10	10
Backset 55	1920 mm	Latch only	3 N	A40458.55.09	10	10

APPLICATION RANGE 2100-2400 mm

Backset 25	2220 mm	Latch only	4 N	A40458.25.10	10	10
Backset 30	2220 mm	Latch only	4 N	A40458.30.10	10	10
Backset 35	2220 mm	Latch only	4 N	A40458.35.10	10	10
Backset 40	2220 mm	Latch only	4 N	A40458.40.10	10	10
Backset 45	2220 mm	Latch only	4 N	A40458.45.10	10	10
Backset 50	2220 mm	Latch only	4 N	A40458.50.10	10	10
Backset 55	2220 mm	Latch only	4 N	A40458.55.10	10	10

NB: Upper shoot bolt or terminal is not included in the lock

Shoot bolt

11 mm throw

Length 120	A40487.00.02	20	200
Length 180	A40487.00.01	20	200

15 mm throw

Length 180	A40486.00.01	20	200
Length 120	A40486.00.02	20	200

Terminal

Length 180	With roller cam	A40481.00.13	20	20
	Without cam	A40481.00.04	20	20



Unitop - Terminals



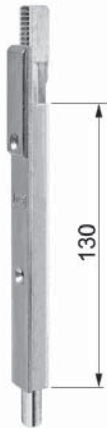
Shoot bolt

11 mm throw

Length 120	A40487.00.02	20	200
Length 180	A40487.00.01	20	200

15 mm throw

Length 180	A40486.00.01	20	200
Length 120	A40486.00.02	20	200



Roundbolt, \varnothing 9,5 mm

Length 130 mm

16 mm faceplate	W01690.00.01	20	100
20 mm faceplate	W02090.00.01	20	100



Terminal with roller cam

Length 180	A40481.00.13	20	20
------------	--------------	----	----

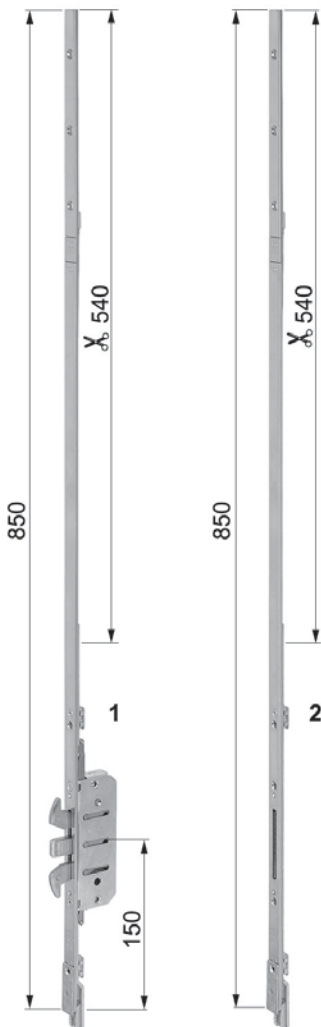


Rod guide

A40343.00.01	20	400
--------------	----	-----



Unitop - Extensions



1 Extension with Poseidon box

16 mm faceplate				
Upper and lower	1P	W99800.00.15	5	5
20 mm faceplate				
Lower	1P	W99801.00.15	5	5

2 Extension without Poseidon box

16 mm faceplate				
Upper and lower		W99800.00.16	5	5
20 mm faceplate				
Upper		W99801.00.16	5	5

NB: Use this extension to reduce the lock application range.

Poseidon box removed from the lock can be fixed here with screws.

Unitop - Strikers

Poseidon - adjustable

16 mm faceplate				
1 gap 4	18X178X8,5		W99610.01.13	20 20
2 gap 4 axis 13	23X208X8,5	●	F850DC.13.15	20 20
1 gap 12	18X180X8,5		W99610.05.13	20 20
3 gap 12 axis 13	24X216X8,5		F850CR.13.15	20 20
1 gap 11(8+7)	18X182X7		W99610.04.13	20 20
1 gap 11 (8+6)	18X182X7		W99610.03.13	20 20





Unitop - Strikers



Latch + bolt - adjustable

16 mm faceplate

1 gap 4	18X208X8,5		W11692.01.01	20	20
2 gap 4 axis 13	32X208X8,5	rh	● F851DC.11.15	20	20
	23X208X8,5	lh	● F852DC.11.15	20	20
1 gap 11 (8+6)	18X208X8,5	lh	W11692.03.01	20	20
	18X208X8,5	rh	W11692.03.02	20	20
1 gap 11 (8+7)	18X208X8,5	lh	W11692.04.01	20	20
	18X208X8,5	rh	W11692.04.02	20	20
1 gap 12	18X208X8,5		W11692.05.01	20	20
3 gap 12 axis 13	24X216X8,5	rh	F851CR.11.15	20	20
	24X216X8,5	lh	F852CR.11.15	20	20



Latch - adjustable

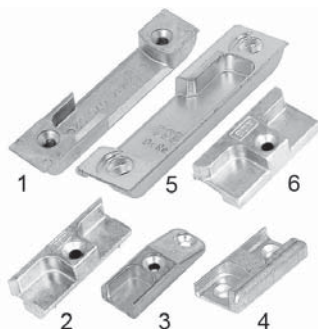
gap 4	18X82x8	Hole h 30mm	A40017.01.12	50	500
gap 11 (8+6)	17X82X8	Hole h 30mm	A40017.03.12	50	500
gap 11 (8+7)	17X82X8	Hole h 30mm	A40017.04.12	50	500
	18x93x8,5	Hole h 35mm	W01694.04.01	☎ 50	250
gap 12	17X82X7,8	Hole h 30mm	A40017.05.12	50	500
	18X93x8,5	Hole h 35mm	W01695.05.01	☎ 50	500
Pvc		Hole h 35mm	A40017.xx.12	☎ 50	300



Bolt

16 mm faceplate

gap 11 (8+7)	18X79X8		W01694.04.03	☎ 50	200
gap 12	18X79X8,5		W01695.05.03	50	200
Pvc			A40017.xx.22	☎ 50	200



Roller cam

1 gap 4	18X82x8	axis 9	A40017.01.02	50	500
5 gap 4 axis 13	23X82X8	rh	● A48011.DC.02	50	500
	23X82X8	lh	● A48012.DC.02	50	500
2 gap 11 (8+6)	15X46X8	8+6 groove	A40017.03.02	50	500
2 gap 11 (8+7)	15X46X8	8+7 groove	A40017.04.02	50	500
3 gap 12	17X46X8		A48010.05.02	50	500
4 gap 12 axis 13	23X46X8,5	rebate 24	A48010.CR.02	50	500
6 Pvc	18X46X8	PVC groove	A40017.25.32	50	50
	variable		Axxxx.xx.02	☎ 1	1

NB: for using strikers gap 4, axis 13 lh and rh, please consider the movement direction opposita to the Unitop cams.

E.G.: rh sash SRH 2400, 2 rh strikers A48011.DC.02 and 2 lh strikers A48012DC02



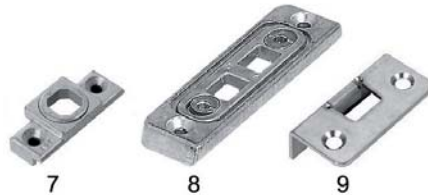
Unitop - Strikers



Adjustable for shoot bolts

gap 4	2*	18X82x8	2 holes	A40017.01.05	50	500
gap 11/12	4	17X82X6,6	2 hole 8+6	A40017.03.05	50	500
	4	17X82X6,6	2 hole 8+7	A40017.04.05	50	500
gap 12	6	17X82X6,6	2 hole	A40017.06.05	50	500
	9	25X50X2	marble thresh.	A40017.00.19	50	500
gap 12	6*	17X82X7,8	2 hole	A40017.05.05	50	500
Axis 13 reb 24	8	23X82X6,6	2 hole reb. 24	A48010.CR.05	50	500
	8	23X82X8	2 hole reb. 24	A48010.CR.48	50	500
gap 4	1	18X82x8	1 hole	A40017.01.04	50	500
gap 11/12	3	17X82X6,6	1 hole 8+7	A40017.04.04	50	500
gap 12	5*	17X82X7,8	1 hole	A40017.05.04	50	500
Pvc	4		2 holes	Axxxxx.xx.05	1	1
	7		with bush	Axxxxx.xx.23	1	1

* Stock exhaustion



Adjustable for shoot bolts whit steel plate

gap 4	11*	18X82X8	1 hole	● A48010.01.54	50	500
	10	18X82x8	1 hole	● W01697.01.13	50	500
gap 4 axis 13	16	23X82X8	1 hole	● A48010.DC.49	50	500
gap 12	15*	17X82X7	1 hole	● A48010.05.57	50	500
	13*	17X82X8	1 hole	● A48010.05.55	50	500
	14*	17X82X8	1 hole	● A48010.05.56	50	500
	12	17X102X8	1 hole	A41697.06.13	50	250

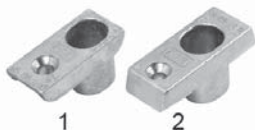
* Available from April 2010



Shoot bolts, for single sash - fixed

16 mm faceplate

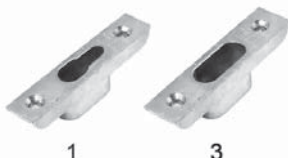
1 gap 4	1	18X40X8,5		W01692.01.04	50	500
2 gap 12	2	18X46X8,5		W01695.06.01	50	500



Shoot bolts, for double sash - fixed

16 mm faceplate

1 gap 4	1	18X78X8,5		W01692.01.05	50	250
3 gap 12	4	18X78X8,5		W01695.06.02	50	500





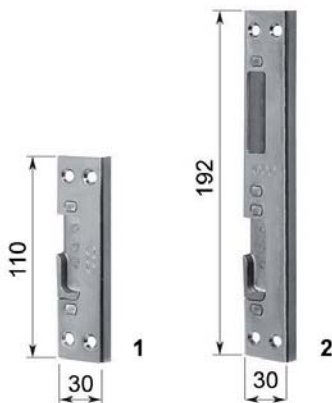
Unitop - Strikers



Shot bolts with spring cover

1/2 SASHES	W01696.00.04	50	500
------------	--------------	----	-----

Unitop - U 30 steel strikers for PVC



Roller cam

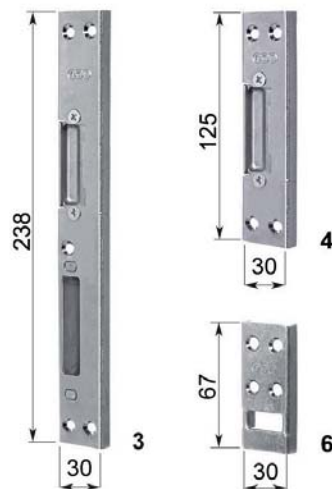
STEEL

1 Pvc	30X110X8	rh	A41117.00.02	20	200
	30X110X8	lh	A41118.00.02	20	200

Bolt + roller cam

STEEL

2 Pvc	30X192X8	rh	A41117.00.42	5	50
	30X192X8	lh	A41118.00.42	5	50



Latch and bolt

STEEL

3 Pvc	30X238X8	rh	A41121.00.40	5	45
	30X238X8	lh	A41122.00.40	5	45

Latch and bolt without cover tray extensible bolt for 16/12

STEEL

3 Pvc	30X238X8	rh	A41121.00.44	5	45
	30X238X8	lh	A41122.00.44	5	45

Latch only

STEEL

4 Pvc	30X130X8		A41121.00.45	20	20
-------	----------	--	--------------	----	----

Poseidon

STEEL

5 Pvc	30X196X8	U 30	W99630.00.13	20	20
-------	----------	------	--------------	----	----



Shoot bolt

STEEL

6	30X67X8		A41117.00.04	50	50
---	---------	--	--------------	----	----

ø 9,5 mm round bolt

STEEL

7			W99630.07.24	50	50
---	--	--	--------------	----	----

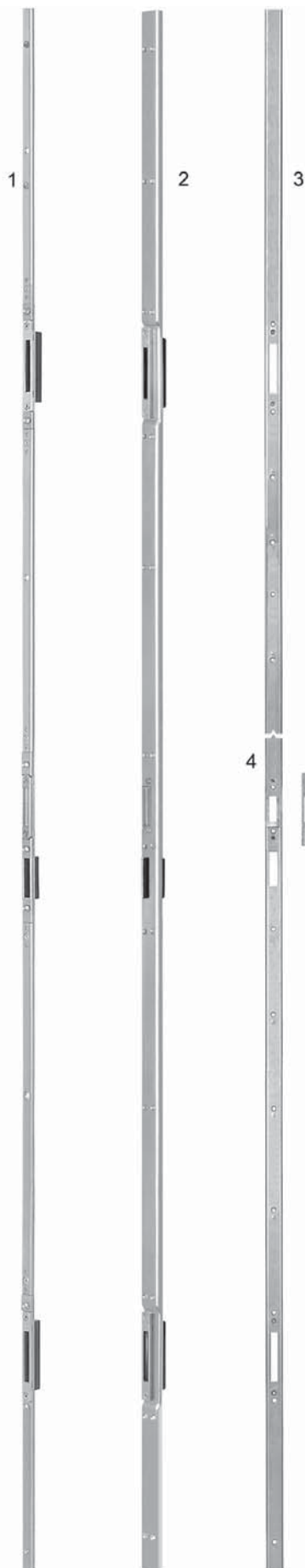
Adapters

NYLON

8	For PVC profiles		A21117.xx.00	50	50
---	------------------	--	--------------	----	----



Unitop - One-piece strikers for Poseidon, single sash



U18 x 8 One-piece striker

1				
gap 4	1870 mm	W99610.01.20	5	5
	1970 mm	W99610.01.21	5	5
gap 12	2216 mm	W99610.05.20	5	5
	2416 mm	W99610.05.21	5	5

U30 x 8 One-piece striker

2				
2216 mm	rh	W99631.07.20	5	5
	lh	W99632.07.20	5	5
2416 mm	rh	W99631.07.21	5	5
	lh	W99632.07.21	5	5

NB: the bolt hand is determined by the main sash

U26 x 8 One-piece striker

4 BOTTOM				
1192 mm		W99721.10.00	📞 1	5
3 TOP				
1231 mm		W99721.11.00	📞 1	5
5 LATCH PLATE				
	Rebate	W99721.02.01	📞 1	20
	Flush doors	W99721.02.00	📞 1	20
4 ELECTRIC BOTTOM				
1192 mm	rh	W99721.12.01	📞 1	5
	lh	W99721.12.02	📞 1	5

NB: the bolt hand is determined by the main sash



Unitop - One-piece striker for Poseidon, double sash



U18 x 8 One-piece striker

1 WITH BOLT INCLUDED

2212 mm	rh	W99611.00.29	5	5
	lh	W99612.00.29	5	5
2412 mm	rh	W99611.00.30	5	5
	lh	W99612.00.30	5	5

NB: the striker does not include the upper push rod.

W20067.05.xx or W20068.05.xx can be coupled

(the last when upper terminal W01690.00.13 is used on the lock)

U18 x 8 One-piece striker

1 WITH BOLT INCLUDED FOR EXTENSIBLE BOLT 16/12

2200 mm	rh	W99611.19.29	3	3
	lh	W99612.19.29	3	3
2400 mm	rh	W99611.19.30	3	3
	lh	W99612.19.30	3	3

NB: the striker does not include the upper push rod.

W20067.19.xx or W20068.19.xx can be coupled

(the last when upper terminal W01690.00.13 is used on the lock)

U26 x 8 One-piece striker

2 BOTTOM

1180 mm		W99721.00.00	☎ 1	5
---------	--	--------------	-----	---

3 CENTRAL

1170 mm		W99721.01.01	☎ 1	5
---------	--	--------------	-----	---

4 TERMINAL

150 mm		W99721.03.00	☎ 1	5
--------	--	--------------	-----	---

5 LATCH PLATE

	Rebate	W99721.02.01	☎ 1	20
	Flush doors	W99721.02.00	☎ 1	20

2 ELECTRIC BOTTOM

1180 mm	rh	W99721.05.01	☎ 1	5
	lh	W99721.05.02	☎ 1	5

NB: the bolt hand is determined by the main sash



Extensible Bolt for Euronut 8+5 groove



1 Extensible bolt - gap 11, 11 mm throw

	GR	Cam			
1800-2000	8	2	A40032.02.08	10	10
2000-2200	9	2	A40032.02.09	10	10
2200-2400	10	2	A40032.02.10	10	10

2 Upper terminal

A40035.02.01	20	20
--------------	----	----

3 Roller cam striker

A40035.02.02	50	1000
--------------	----	------

4 Spring latch striker

A40035.02.03	50	50
--------------	----	----

5 Striker + lifting cam for Unitop

A40035.02.04	50	50
--------------	----	----

6 Extension for Euronut bolt

A40035.02.05	20	20
--------------	----	----



Unitop - Lever bolts - 8 mm shoot bolt



Upper and lower - adjustable throw

18 mm faceplate

Length 210	gap 4		A40061.01.01	20	180
	gap 11/12		A40061.05.01	20	180
	Groove 16/12		A40061.19.01	20	180
Length 300	gap 4		A40061.01.02	20	180
	gap 11/12		A40061.05.02	20	180
	Groove 16/12		A40061.19.02	20	180



Upper with roller cam striker - adjustable throw

18 mm faceplate

Length 360	gap 4		A40064.01.01	20	120
	gap 4	For el. mill.up	A40065.01.01	20	120
	gap 4	For el. mill.up lh	A40066.01.01	20	120
	gap 12		A40064.05.01	20	120
	Groove 16/12		A40064.19.01	20	120
Length 550	gap 4		A40064.01.02	20	20
	gap 4	For el. mill.up	A40065.01.02	20	20
	gap 4	For el. mill.up lh	A40066.01.02	20	20
	gap 12		A40064.05.02	20	20
	Groove 16/12		A40064.19.02	20	20



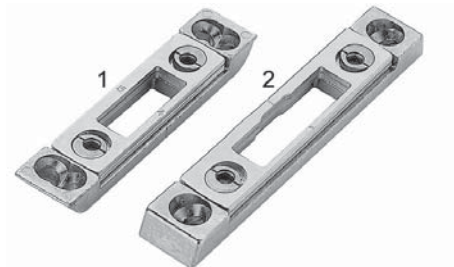
Unitop - Lever bolts - 9,5 mm shoot bolt



Lower with Poseidon striker - adjustable throw

18 mm faceplate

Length 390	gap 4	rh	W99710.01.01	10	60
	gap 4	lh	W99710.01.02	10	60
	gap 12	rh	W99710.05.01	10	60
	gap 12	lh	W99710.05.02	10	60



Adjustable striker for lever bolts

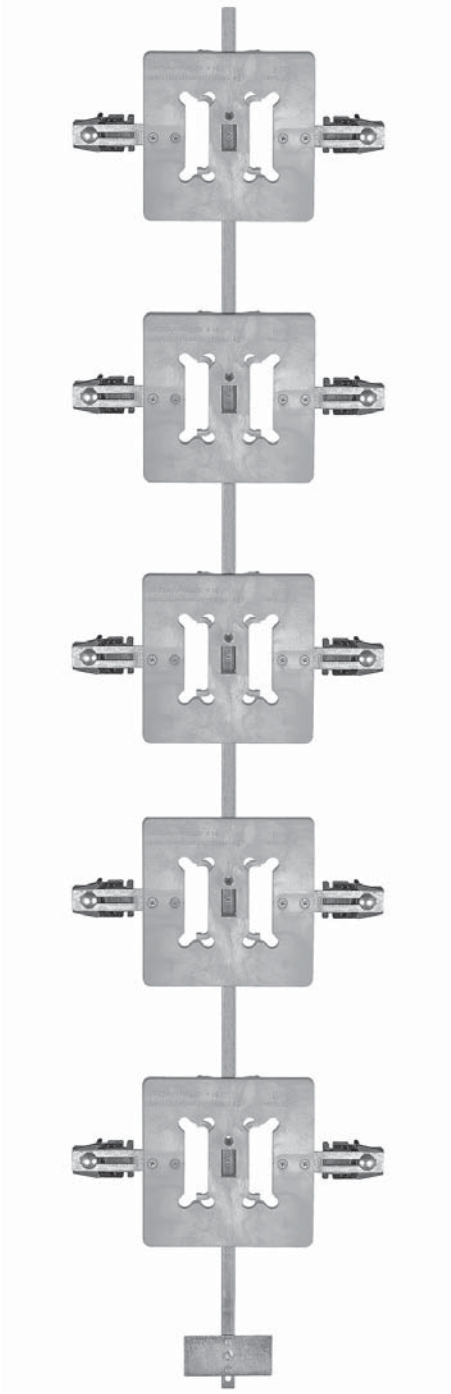
1 gap 4	18X82x8	Steel	W01697.01.13	50	500
2 gap 12	17X102X8		A41697.06.13	50	250
gap 12 axis 13	23X82X8		F850CR.05.15	20	20



Unitop - Jigs

Complete kit for mod. 457-458-459

gap 4	A01451.01.01	1	1
-------	--------------	---	---





Unitop - Jigs

Complete kit for Poseidon Unitop - Sicurtop

Poseidon	F99501.01.03	1	1
----------	--------------	---	---



For roller cam and bolt

	A20030.01.27	1	1
--	--------------	---	---



Unitop - Jigs



For central strikers

gap 4	F01700.01.03	1	1
-------	--------------	---	---



Jigs rod

F01700.01.09	1	1
--------------	---	---



Clamp for jigs

F01700.01.06	1	1
--------------	---	---



Wing nut for jig fastening

A20030.01.03	1	1
--------------	---	---



Second rebate shim

A20030.01.24	1	1
--------------	---	---

Unitop - Accessories

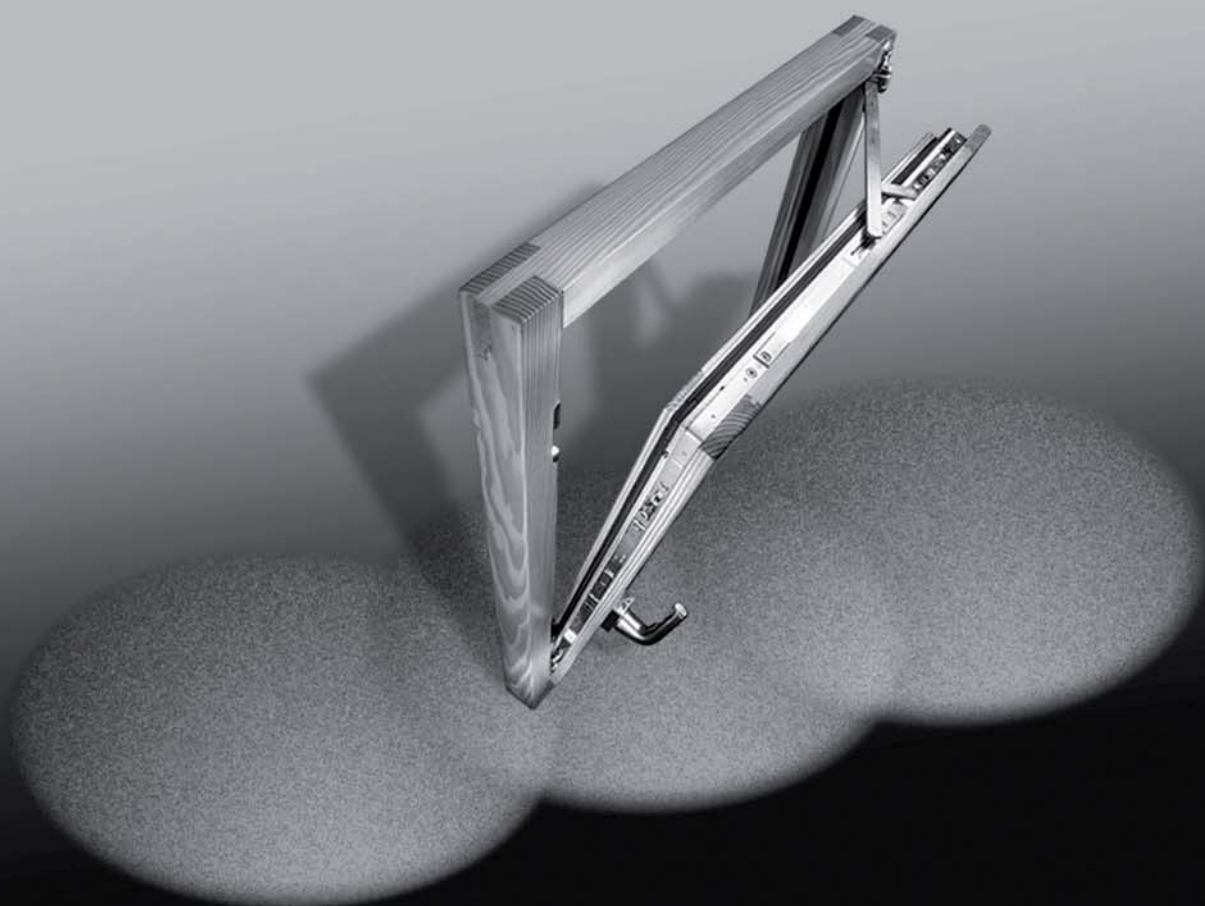


Spring for hub - Lock model 460

A39408.01.01	1	50
--------------	---	----

For the remaining strikers see Unitop strikers

HARDWARE FOR WINDOWS



Hardware for Windows

Maintenance, assembly, and adjustment instructions	pag.	235
TESI for wooden windows - Rectangular	pag.	239
∅ 34 for wooden windows - Rectangular	pag.	240
TESI for wooden windows - Arched	pag.	241
∅ 34 for wooden windows - Arched	pag.	242
Tesi for wooden windows - Angled	pag.	243
∅ 34 for wooden windows - Angled	pag.	244
TESI surface mounted for wooden and PVC windows - Rectangular	pag.	245
TESI surface mounted for wooden and PVC windows - Arched	pag.	246
TESI surface mounted for wooden and PVC windows - Angled	pag.	247



Espagnolettes - Tilt & Turn	pag.	248
Espagnolettes - Terminals and Accessories for Tilt & Turn	pag.	251
Espagnolettes - Turn only windows	pag.	253
Espagnolettes - Turn only and Tilt only windows	pag.	255
Espagnolettes - Sliding windows	pag.	256
Espagnolettes - Terminals and Accessories	pag.	257
Traditional Espagnolettes	pag.	257
Corner drives	pag.	258



Stay arm - TESI for wooden windows	pag.	260
Stay arm - ∅ 34 for wooden windows	pag.	262
Stay arm - Supplementary and Tilt only	pag.	263
Stay arm - TESI surface mounted	pag.	264
Central and corner locks	pag.	266



Stay supports - TESI for wooden windows	pag.	267
Stay supports - ∅ 34 for wooden windows	pag.	268
Stay supports - TESI surface mounted	pag.	269
Hinges - TESI for rectangular wooden windows	pag.	270
Hinges - TESI for arched and angled wooden windows	pag.	271
Hinges - ∅ 34 for rectangular wooden windows	pag.	273
Hinges - ∅ 34 for arched and angled wooden windows	pag.	273
Hinges - TESI surface mounted for rectangular PVC windows	pag.	274
Hinges - TESI surface mounted for arched and angled PVC windows	pag.	275
Basic Kits for Aluminium-wood windows	pag.	276
Covers - Complete kits (stay support + corner hinge)	pag.	277
Covers - TESI for wooden windows - Single components	pag.	278
Covers - ∅ 34 for wooden windows - Single components	pag.	280
Covers - TESI surface mounted for PVC windows	pag.	281



Accessories for inactive sash	pag.	283
Hinges for inactive sash - TESI for wooden windows	pag.	284
Hinges for inactive sash - ∅ 34 for wooden windows	pag.	284
Hinges for inactive sash - TESI surface mounted for PVC windows	pag.	285
Hidden central hinges	pag.	286
MAXI hinge for 3 and 4 sashes wooden windows	pag.	287
Bolts	pag.	290
Extensible Bolt for 16/12 eurogroove with pre-assembled strikers	pag.	292
Bolts - Eurogroove profile	pag.	293
Extensible Bolt for Euronut 8+5 groove	pag.	294
Extensible Bolt for Euronut 8+7 groove	pag.	295
Extensible Bolt for Euronut, 180° lever	pag.	296

Hardware for Windows



Cam strikers	pag.	297
DSS strikers	pag.	298
Tilt strikers	pag.	299
Strikers for shootbolt throw	pag.	300
Strikers for supplementary stay arms for arched windows	pag.	301
Lift strikers for arched and angled windows	pag.	301
Sash catchers	pag.	302
Accessories for strikers	pag.	302
Accessories	pag.	303



Jigs - Espagnolettes	pag.	304
Jigs - Central locks	pag.	308
Jigs - gap 12 stay arms	pag.	309
Jigs - TESI for wooden windows, gap 12	pag.	310
Jigs - TESI for wooden windows, gap 4	pag.	310
Guide rings	pag.	310
Jigs - TESI, surface mounted for PVC	pag.	311
Jigs - Jigs rods for TESI and Mod. 488/489 espagnolettes	pag.	311
Jigs - Wooden windows	pag.	313
Jigs - Accessories	pag.	314



Anti-burglar - gap 4, 1 sash	pag.	318
Anti-burglar - gap 4, 2 sashes	pag.	319
Anti-burglar - gap 12, 1 sash	pag.	320
Anti-burglar - gap 12, 2 sashes	pag.	321
Anti-burglar Tilt & Turn	pag.	322
Anti-burglar strikers	pag.	331
Jigs - Anti-burglar	pag.	332
Magnétique: magnetic contacts for control and alarm systems	pag.	333



Maintenance, assembly, and adjustment instructions



HARDWARE SYSTEMS FOR WINDOWS AND DOORS



USING AND MAINTENANCE INSTRUCTIONS FOR WINDOWS HARDWARE

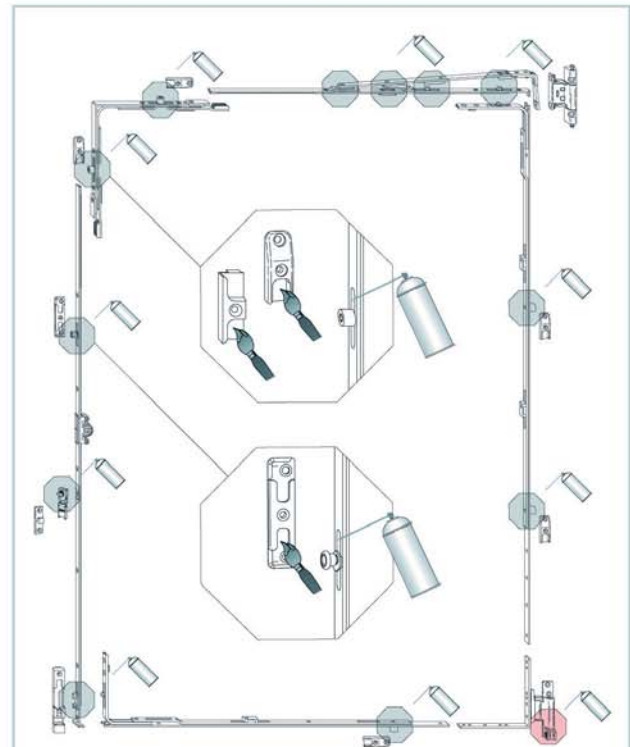
Your windows manufacturer:



Alban Giacomo Spa
Via A. De Gasperi, 75
36060 Romano d'Ezzelino
(Vicenza) Italia

Tel +39 0424 832832
Fax + 39 0424 832900

www.agb.it - info@agb.it



To guarantee good functioning of the hardware system, we recommend to control at least once a year the mechanisms of the components by doing the following:

- Control and lubricate with greases and oils (acid and resins free) all the movable parts;
- Do not use products that can compromise the protection of the finishes (aggressive and abrasive detergents).
- Verify the fastening and the wear degree of the hardware and if necessary, restore the correct functioning by adjusting the components.

! WARNING

All the adjusting, replacing, unhooking and assembly operations must be done by qualified personnel.

The hardware system must be composed by AGB components only. If the assembly of the hardware is not executed under conformity or not original AGB components are used, AGB declines any responsibility.

MISUSE OF HARDWARE MECHANISMS

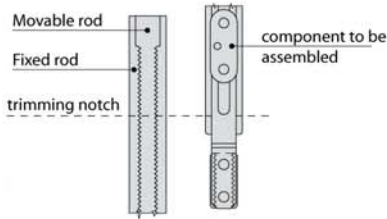
In order to avoid the misuse of the moving mechanisms of the hardware:

- do not apply additional loads to the sashes;
- do not slam the sashes or do not leave the windows opened on current do not slam the sashes or do not leave the windows opened on current;
- do not push the sashes against the wall reveal;
- do not put objects between the sash and the frame;
- do not put any part of the body between sash and frame (injury hazard);
- do not force the movement of the components: in case of moving obstacles, make sure that all components are aligned with the strikers and the movable parts are not blocked up;
- avoid mishandlings.



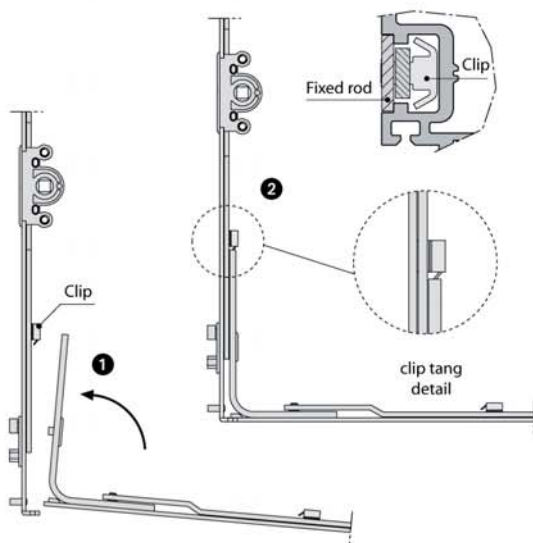
Maintenance, assembly, and adjustment instructions

Hardware trim



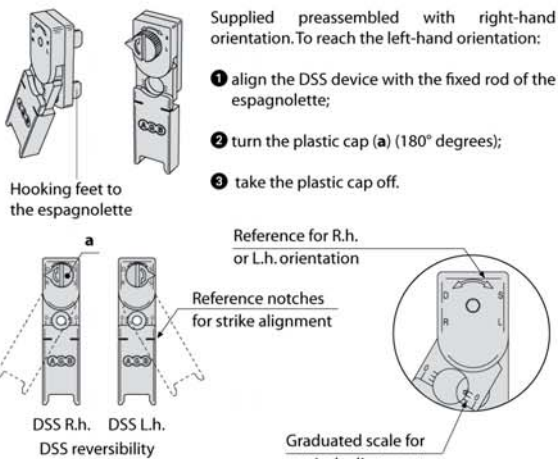
NB. When trimming the hardware, the terminal part of the fixed and movable rod must be aligned. Before execute this operation, make sure that hardware is in opening position.

Mounting example of a supplementary lock and on espagnolette

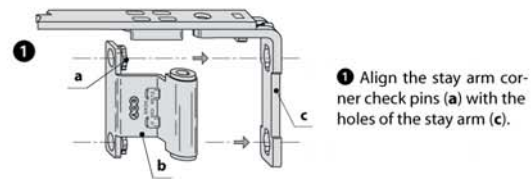


- 1 Fasten the lower part of the espagnolette to the supplementary lock and align the two components.
- 2 Push the supplementary lock on the espagnolette until the clip tang springs up.

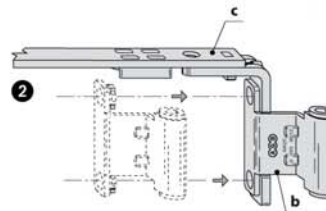
DSS - Lifting/anti-mishandling device



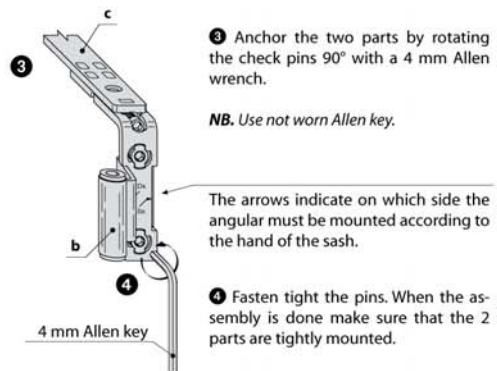
Stay arm corner assembly - TESI



- 1 Align the stay arm corner check pins (a) with the holes of the stay arm (c).



- 2 Join the two parts (b+c), inserting the check pins in the appropriate seats in the corner element.



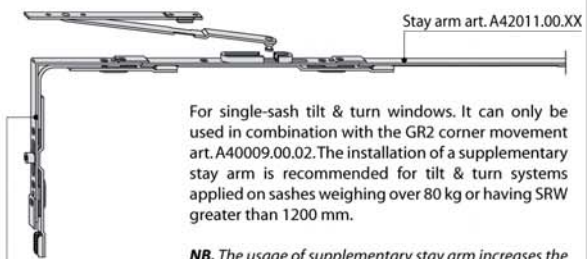
- 3 Anchor the two parts by rotating the check pins 90° with a 4 mm Allen wrench.

NB. Use not worn Allen key.

The arrows indicate on which side the angular must be mounted according to the hand of the sash.

- 4 Fasten tight the pins. When the assembly is done make sure that the 2 parts are tightly mounted.

Supplementary stay arm assembly



For single-sash tilt & turn windows. It can only be used in combination with the GR2 corner movement art. A40009.00.02. The installation of a supplementary stay arm is recommended for tilt & turn systems applied on sashes weighing over 80 kg or having SRW greater than 1200 mm.

NB. The usage of supplementary stay arm increases the application field of the universal stay arm of 250 mm (see table).

269 mm

STAY ARM WITH SUPPLEMENTARY ONE		
GR	Article	SRW
1	A42011.00.01	600-730
2	A42011.00.02	731-850
3	A42011.00.03	851-1050
4	A42011.00.04	1051-1250
5	A42011.00.05	1251-1450
6	A42011.00.06	1451-1650
7	A42011.00.07	1651-1850



Maintenance, assembly, and adjustment instructions

Every adjustment, replacement, unhooking and hooking of the components must be made by qualified personnel.

DSS adjustment

2,5 mm Allen key

± 3 mm vertical adjustment

ADJUSTMENT EFFECT

Allows to recover eventual sash collapse, by lifting it on closing position.

Pressure adjustment of the standard and mushroom cams

STANDARD CAM ADJUSTMENT

Initial position

± 1 mm adjustment

4 mm Allen key

1 mm

1 mm

MUSHROOM CAM ADJUSTMENT

Initial position

± 1 mm adjustment

11 mm wrench

1 mm

1 mm

PRESSURE ADJUSTMENT EFFECT

FRAME

SASH

It is possible to increase or reduce the pressure of the sash on the frame. By decentralizing the cam outside wards of the sash to reduce the pressure on the frame and vice versa.

Stay arm adjustment

TESI for wooden windows

± 2 mm pressure adjustment

4 mm Allen key

± 1 mm pressure adjustment

4 mm Allen key

PRESSURE ADJUSTMENT EFFECT

FRAME

SASH

It is possible to increase or reduce the pressure of the sash on the frame.

Horizontal adjustment (5 mm pull and 2,7 mm push)

4 mm Allen key

± 1,5 mm Pressure adjustment by means of 4 mm Allen key

± 1 mm pressure adjustment

4 mm Allen key

4 mm Allen key

Horizontal adjustment with 13 mm exagonal wrench

4 mm pull for gap 4

7,5 mm pull for gap 12

TESI surface mounted

± 2 mm Pressure adjustment

4 mm Allen key

PRESSURE ADJUSTMENT EFFECT

FRAME

SASH

It is possible to increase or reduce the pressure of the sash on the frame.

4 mm Allen key

± 1 mm pressure adjustment

4 mm Allen key

Horizontal adjustment (5 mm pull and 2,7 mm push)

HORIZONTAL STAY ARM ADJUSTMENT

PULL (tighten clockwise)

- 1 Movement of upper part of sash.
- 2 Lifting and movement of upper corner.
- 3 Lifting and movement of lower corner.
- 4 Pintle.

PUSH (loosen counter-clockwise)

- 1 Movement of upper part of sash.
- 2 Lowering and movement of upper corner.
- 3 Lowering and movement of lower corner.
- 4 Pintle.



Maintenance, assembly, and adjustment instructions

Lower hinge adjustment

TESI for wooden windows

Vertical adjustment
- 2 mm downwards
+ 3 mm upwards

± 1,5 mm pressure adjustment

± 2 mm horizontal adjustment

4 mm Allen key

4 mm Allen key

4 mm Allen key

ø 34

+ 2 mm vertical adjustment

± 2 mm horizontal adjustment

Horizontal adjustment

4 mm Allen key

± 0,5 mm pressure adjustment

TESI surface mounted

Vertical adjustment
- 2 mm downwards
+ 3 mm upwards

± 1,5 mm pressure adjustment

± 2 mm horizontal adjustment

4 mm Allen key

4 mm Allen key

4 mm Allen key

80 kg TESI female hinge

Vertical adjustment
- 2 mm downwards
+ 3 mm upwards

± 1 mm pressure adjustment

± 2 mm horizontal adjustment

4 mm Allen key

4 mm Allen key

4 mm Allen key

A PRESSURE ADJUSTMENT EFFECT

It is possible to increase or reduce the pressure of the sash on the frame.

B VERTICAL ADJUSTMENT OF LOWER HINGE

With the vertical adjustment of the lower hinge you obtain the parallel movement of the sash along its vertical axis.

EFFECTS OF HORIZONTAL LOWER HINGE ADJUSTMENT

PULL (tighten clockwise)

- Lowering of upper corner.
- Lowering and movement of lower corner.
- Movement of lower part of sash.
- Pintle.

PUSH (loosen counter-clockwise)

- Lifting of upper corner.
- Lifting and movement of lower corner.
- Movement of lower part of sash.
- Pintle.

SIMULTANEOUS HORIZONTAL ADJUSTMENT OF LOWER HINGE AND STAY ARM

With the horizontal adjustment of the stay arm and lower hinge you obtain the parallel movement of the sash along its horizontal axis.

Central Hinge adjustment

TESI for wooden windows and surface mounted

The sash can be lowered or raised by loosening the fastening screws next to the slots in the supporting strap (on arched systems it is necessary to proceed through the vertical adjustment of the lower hinge).

± 1 mm pressure adjustment

- 2 mm + 1,2 mm horizontal adjustment

A PRESSURE ADJUSTMENT EFFECT

It is possible to increase or reduce the pressure of the sash on the frame.

+ PRESSURE
Rotate the cam of 90° clockwise

- PRESSURE
Rotate the cam of 90° counter-clockwise

B HORIZONTAL ADJUSTMENT OF CENTRAL HINGE

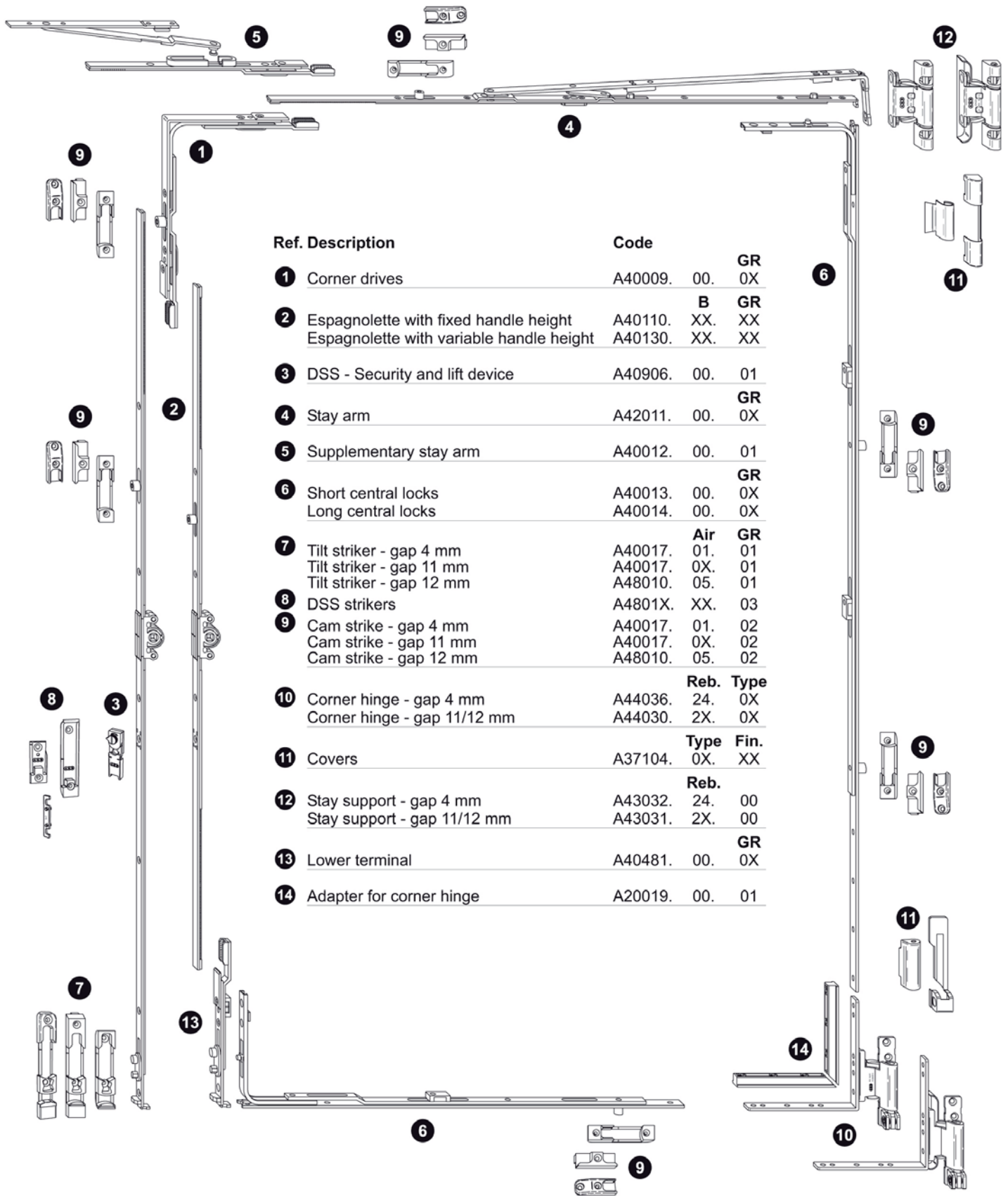
With the horizontal adjustment of the central hinge you obtain the parallel movement of 2nd sash along its horizontal axis.

C VERTICAL ADJUSTMENT OF THE CENTRAL HINGE

With the vertical adjustment of the lower hinge you obtain the parallel movement of the sash along its vertical axis.



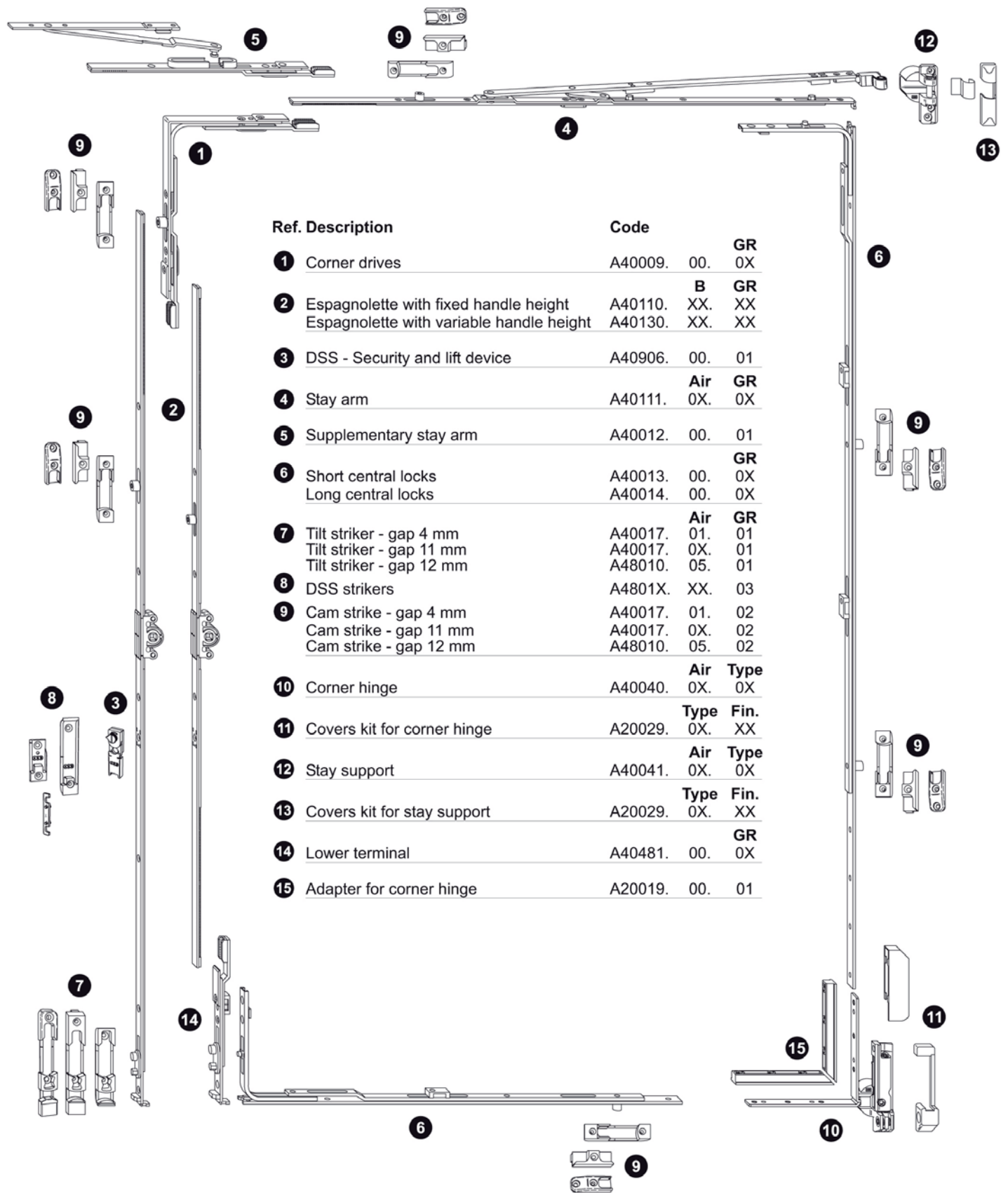
TESI for wooden windows - Rectangular



Ref.	Description	Code	GR
1	Corner drives	A40009. 00.	0X
2	Espagnolette with fixed handle height	A40110. XX.	XX GR
	Espagnolette with variable handle height	A40130. XX.	XX
3	DSS - Security and lift device	A40906. 00.	01
4	Stay arm	A42011. 00.	0X GR
5	Supplementary stay arm	A40012. 00.	01
6	Short central locks	A40013. 00.	0X GR
	Long central locks	A40014. 00.	0X
7	Tilt striker - gap 4 mm	A40017. 01.	01 GR
	Tilt striker - gap 11 mm	A40017. 0X.	01
	Tilt striker - gap 12 mm	A48010. 05.	01
8	DSS strikers	A4801X. XX.	03
9	Cam strike - gap 4 mm	A40017. 01.	02
	Cam strike - gap 11 mm	A40017. 0X.	02
	Cam strike - gap 12 mm	A48010. 05.	02
10	Corner hinge - gap 4 mm	A44036. 24.	0X
	Corner hinge - gap 11/12 mm	A44030. 2X.	0X
11	Covers	A37104. 0X.	XX
12	Stay support - gap 4 mm	A43032. 24.	00
	Stay support - gap 11/12 mm	A43031. 2X.	00
13	Lower terminal	A40481. 00.	0X GR
14	Adapter for corner hinge	A20019. 00.	01



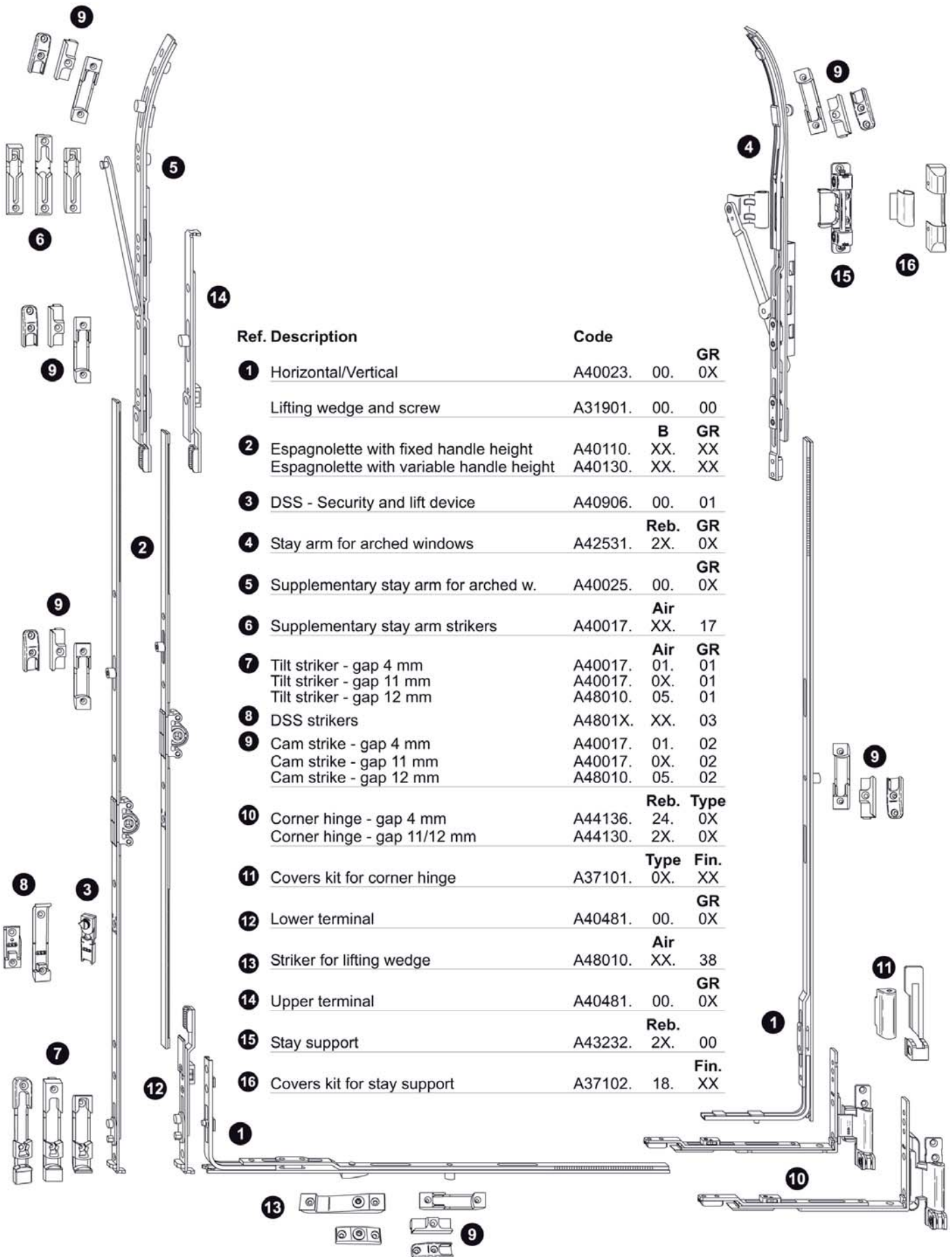
ø 34 for wooden windows - Rectangular



Ref.	Description	Code	GR
1	Corner drives	A40009. 00.	OX
2	Espagnolette with fixed handle height	A40110. XX.	GR
	Espagnolette with variable handle height	A40130. XX.	XX
3	DSS - Security and lift device	A40906. 00.	01
4	Stay arm	A40111. 0X.	Air GR OX
5	Supplementary stay arm	A40012. 00.	01
6	Short central locks	A40013. 00.	GR OX
	Long central locks	A40014. 00.	OX
7	Tilt striker - gap 4 mm	A40017. 01.	Air GR 01
	Tilt striker - gap 11 mm	A40017. 0X.	01
	Tilt striker - gap 12 mm	A48010. 05.	01
8	DSS strikers	A4801X. XX.	03
9	Cam strike - gap 4 mm	A40017. 01.	02
	Cam strike - gap 11 mm	A40017. 0X.	02
	Cam strike - gap 12 mm	A48010. 05.	02
10	Corner hinge	A40040. 0X.	Air Type OX
11	Covers kit for corner hinge	A20029. 0X.	Type Fin. XX
12	Stay support	A40041. 0X.	Air Type OX
13	Covers kit for stay support	A20029. 0X.	Type Fin. XX
14	Lower terminal	A40481. 00.	GR OX
15	Adapter for corner hinge	A20019. 00.	01



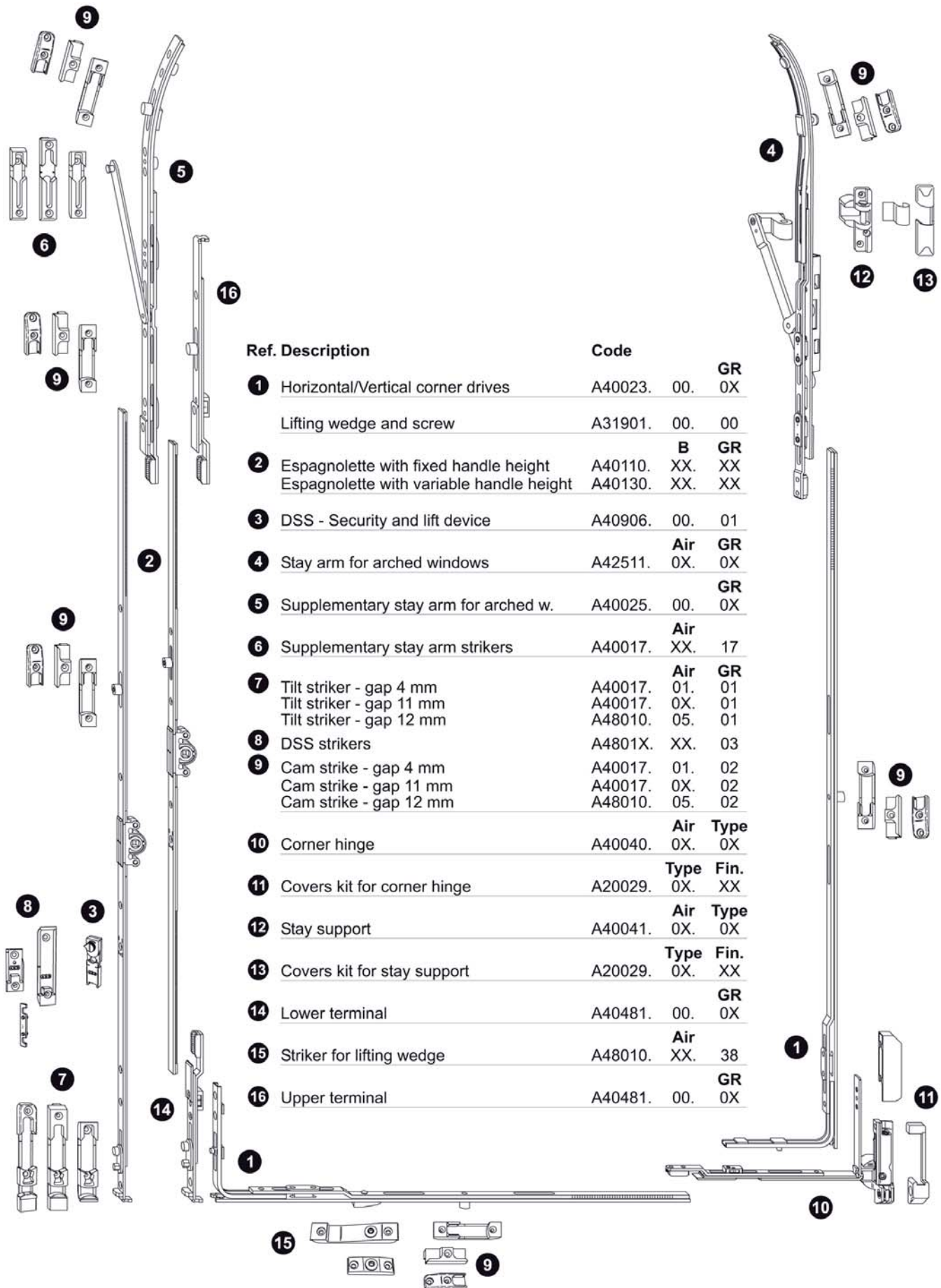
TESI for wooden windows - Arched



Ref.	Description	Code	GR
1	Horizontal/Vertical	A40023. 00.	0X
	Lifting wedge and screw	A31901. 00.	00
2	Espagnolette with fixed handle height	A40110. XX.	GR XX
	Espagnolette with variable handle height	A40130. XX.	XX
3	DSS - Security and lift device	A40906. 00.	01
4	Stay arm for arched windows	A42531. 2X.	Reb. GR 2X. 0X
5	Supplementary stay arm for arched w.	A40025. 00.	GR 0X
6	Supplementary stay arm strikers	A40017. XX.	Air XX. 17
7	Tilt striker - gap 4 mm	A40017. 01.	Air GR 01. 01
	Tilt striker - gap 11 mm	A40017. 0X.	0X. 01
	Tilt striker - gap 12 mm	A48010. 05.	05. 01
8	DSS strikers	A4801X. XX.	XX. 03
9	Cam strike - gap 4 mm	A40017. 01.	01. 02
	Cam strike - gap 11 mm	A40017. 0X.	0X. 02
	Cam strike - gap 12 mm	A48010. 05.	05. 02
10	Corner hinge - gap 4 mm	A44136. 24.	Reb. Type 24. 0X
	Corner hinge - gap 11/12 mm	A44130. 2X.	2X. 0X
11	Covers kit for corner hinge	A37101. 0X.	Type Fin. 0X. XX
12	Lower terminal	A40481. 00.	GR 0X
13	Striker for lifting wedge	A48010. XX.	Air XX. 38
14	Upper terminal	A40481. 00.	GR 0X
15	Stay support	A43232. 2X.	Reb. 2X. 00
16	Covers kit for stay support	A37102. 18.	Fin. 18. XX



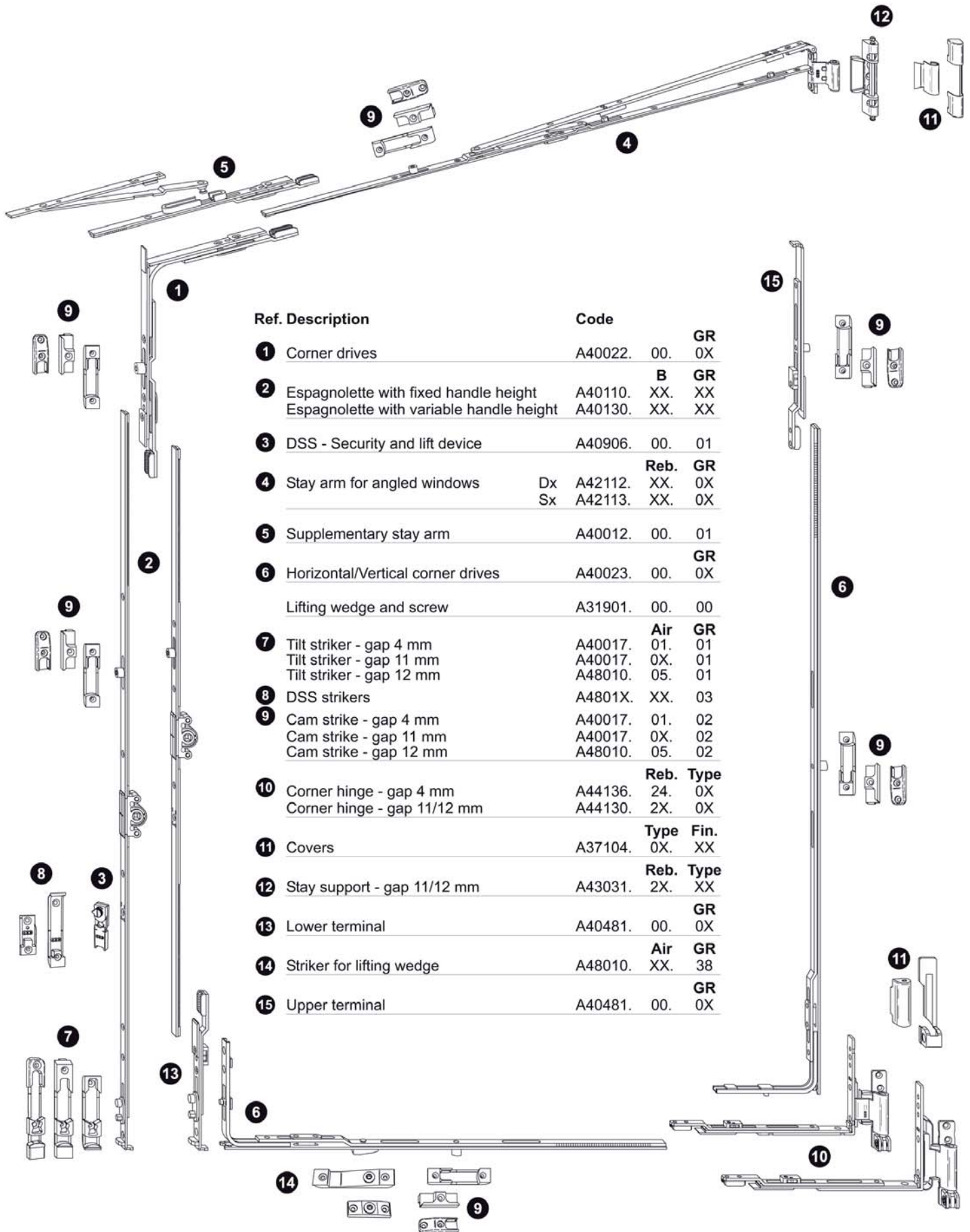
ø 34 for wooden windows - Arched



Ref.	Description	Code	GR
1	Horizontal/Vertical corner drives	A40023. 00.	0X
	Lifting wedge and screw	A31901. 00.	00
2	Espagnolette with fixed handle height	A40110. XX.	XX
	Espagnolette with variable handle height	A40130. XX.	XX
3	DSS - Security and lift device	A40906. 00.	01
4	Stay arm for arched windows	A42511. 0X.	GR 0X
5	Supplementary stay arm for arched w.	A40025. 00.	GR 0X
6	Supplementary stay arm strikers	A40017. XX.	Air 17
7	Tilt striker - gap 4 mm	A40017. 01.	Air GR 01
	Tilt striker - gap 11 mm	A40017. 0X.	01
	Tilt striker - gap 12 mm	A48010. 05.	01
8	DSS strikers	A4801X. XX.	03
9	Cam strike - gap 4 mm	A40017. 01.	02
	Cam strike - gap 11 mm	A40017. 0X.	02
	Cam strike - gap 12 mm	A48010. 05.	02
10	Corner hinge	A40040. 0X.	Air Type 0X
11	Covers kit for corner hinge	A20029. 0X.	Type Fin. XX
12	Stay support	A40041. 0X.	Air Type 0X
13	Covers kit for stay support	A20029. 0X.	Type Fin. XX
14	Lower terminal	A40481. 00.	GR 0X
15	Striker for lifting wedge	A48010. XX.	Air 38
16	Upper terminal	A40481. 00.	GR 0X



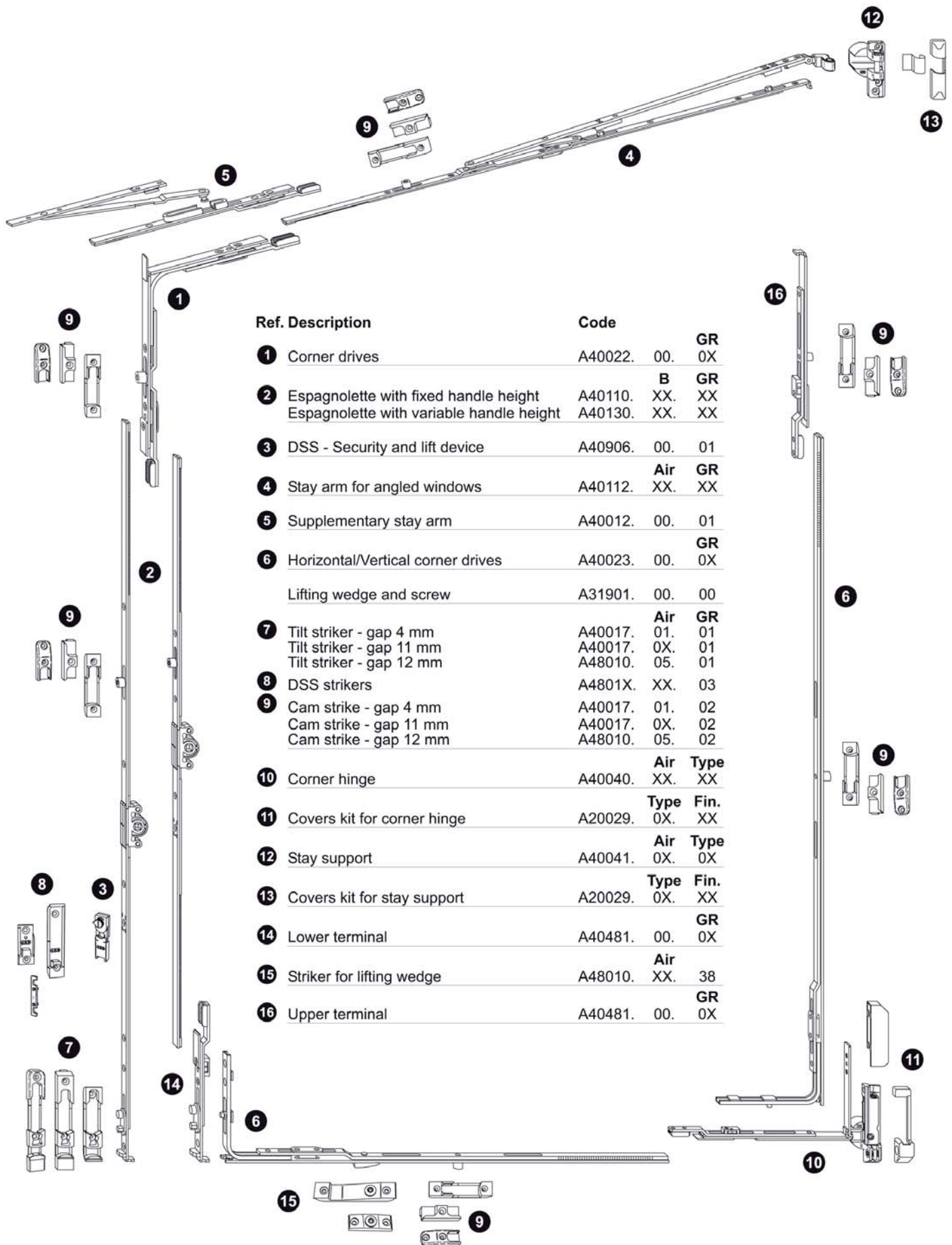
Tesi for wooden windows - Angled



Ref.	Description	Code	GR
1	Corner drives	A40022. 00.	0X
2	Espagnolette with fixed handle height	A40110. XX.	XX
	Espagnolette with variable handle height	A40130. XX.	XX
3	DSS - Security and lift device	A40906. 00.	01
4	Stay arm for angled windows	Dx A42112. XX.	0X
		Sx A42113. XX.	0X
5	Supplementary stay arm	A40012. 00.	01
6	Horizontal/Vertical corner drives	A40023. 00.	0X
	Lifting wedge and screw	A31901. 00.	00
7	Tilt striker - gap 4 mm	A40017. 01.	01
	Tilt striker - gap 11 mm	A40017. 0X.	01
	Tilt striker - gap 12 mm	A48010. 05.	01
8	DSS strikers	A4801X. XX.	03
9	Cam strike - gap 4 mm	A40017. 01.	02
	Cam strike - gap 11 mm	A40017. 0X.	02
	Cam strike - gap 12 mm	A48010. 05.	02
10	Corner hinge - gap 4 mm	A44136. 24.	0X
	Corner hinge - gap 11/12 mm	A44130. 2X.	0X
11	Covers	A37104. 0X.	XX
12	Stay support - gap 11/12 mm	A43031. 2X.	XX
13	Lower terminal	A40481. 00.	0X
14	Striker for lifting wedge	A48010. XX.	38
15	Upper terminal	A40481. 00.	0X



ø 34 for wooden windows - Angled



Ref.	Description	Code	GR
1	Corner drives	A40022. 00.	0X
2	Espagnolette with fixed handle height	A40110. XX.	B GR XX
	Espagnolette with variable handle height	A40130. XX.	XX
3	DSS - Security and lift device	A40906. 00.	01
4	Stay arm for angled windows	A40112. XX.	Air GR XX
5	Supplementary stay arm	A40012. 00.	01
6	Horizontal/Vertical corner drives	A40023. 00.	GR 0X
	Lifting wedge and screw	A31901. 00.	00
7	Tilt striker - gap 4 mm	A40017. 01.	Air GR 01
	Tilt striker - gap 11 mm	A40017. 0X.	01
	Tilt striker - gap 12 mm	A48010. 05.	01
8	DSS strikers	A4801X. XX.	03
9	Cam strike - gap 4 mm	A40017. 01.	02
	Cam strike - gap 11 mm	A40017. 0X.	02
	Cam strike - gap 12 mm	A48010. 05.	02
10	Corner hinge	A40040. XX.	Air Type XX
11	Covers kit for corner hinge	A20029. 0X.	Type Fin. XX
12	Stay support	A40041. 0X.	Air Type 0X
13	Covers kit for stay support	A20029. 0X.	Type Fin. XX
14	Lower terminal	A40481. 00.	GR 0X
15	Striker for lifting wedge	A48010. XX.	Air 38
16	Upper terminal	A40481. 00.	GR 0X



TESI surface mounted for wooden and PVC windows - Rectangular

Ref.	Description	Code	GR
1	Corner drives	A40009. 00.	0X
2	Espagnolette with fixed handle height Espagnolette with variable handle height	A40110. XX.	GR XX
		A40130. XX.	XX
3	DSS - Security and lift device	A40906. 00.	01
4	Stay arm	A42011. 00.	Air GR 0X
		A40012. 00.	01
6	Short central locks Long central locks	A40013. 00.	GR 0X
		A40014. 00.	0X
7	Tilt striker - gap 11 mm Tilt striker - gap 12 mm	A40017. 0X.	Air GR 01
		A48010. 05.	01
8	DSS strikers	A4801X. XX.	03
9	Cam strike - gap 11 mm cam strike - gap 12 mm	A40017. 0X.	02
		A48010. 05.	02
10	Corner hinge Corner hinge 100 Kg - pins ø6 Corner hinge 80 Kg - perni ø3	A44026. XX.	Reb. Type 0X
		A44001. 07.	04
		A44001. 07.	03
11	Hinges support with resting plates Hinges support with pins	A44203. 07.	Type XX
		A44201. 07.	XX
12	Covers Covers for 80/100 Kg.	A37106. 0X.	Type Fin. XX
		A37104. 1X.	XX
13	Stay support with resting plates Stay support with pins	A4302X. 07.	Reb. 00
		A43021. 07.	03
14	Stay angle	A42320. XX.	00
15	Lower terminal	A40481. 00.	GR 0X
16	Covers for stay support	A37102. 0X.	Tipo Fin. XX
			XX



TESI surface mounted for wooden and PVC windows - Arched

Ref.	Description	Code	GR
1	Horizontal/Vertical corner drives	A40023. 00.	0X
	Lifting wedge and screw	A31901. 00.	00
2	Espagnolette with fixed handle height	A40110. XX.	XX
	Espagnolette with variable handle height	A40130. XX.	XX
3	DSS - Security and lift device	A40906. 00.	01
4	Stay arm for arched windows	A42521. XX.	GR 0X
5	Supplementary stay arm for arched w.	A40025. 00.	GR XX
6	Supplementary stay arm strikers	A40017. XX.	Air 17
7	Tilt striker - gap 11 mm	A40017. 0X.	GR 01
	Tilt striker - gap 12 mm	A48010. 05.	01
8	DSS strikers	A4801X. XX.	03
9	Cam strike - gap 11 mm	A40017. 0X.	02
	Cam strike - gap 12 mm	A48010. 05.	02
10	Corner hinge	A44121. XX.	Reb. Type 0X
	Corner hinge 100 Kg - pins ø6	A44001. 07.	04
	Corner hinge 80 Kg - pins ø3	A44001. 07.	03
11	Hinges support with resting plates	A44203. 07.	Type XX
	Hinges support with pins	A44201. 07.	XX
12	Covers for corner hinge	A37106. 0X.	Type Fin. XX
	Covers for 80/100 Kg	A37104. 07.	XX
13	Stay support with pins	A43222. 07.	03
14	Lower terminal	A40481. 00.	GR 0X
15	Strikers for lifting wedge	A48010. XX.	Air 38
16	Upper terminal	A40481. 00.	GR 0X
17	Covers for stay support	A37102. 19.	Fin. XX



TESI surface mounted for wooden and PVC windows - Angled

Ref.	Description	Code	GR
1	Corner drives	A40009. 00.	0X
2	Espagnolette with fixed handle height	A40110. XX.	XX
	Espagnolette with variable handle height	A40130. XX.	XX
3	DSS - Security and lift device	A40906. 00.	01
4	Stay arm for angled windows	Dx A42122. XX.	0X
		Sx A42123. XX.	0X
5	Supplementary stay arm	A40012. 00.	01
6	Horizontal/Vertical corner drive	A40023. 00.	0X
	Lifting wedge and screw	A31901. 00.	00
7	Tilt striker - gap 11 mm	A40017. 0X.	01
	Tilt striker - gap 12 mm	A48010. 05.	01
8	DSS striker	A4801X. XX.	03
9	Cam strike - gap 11 mm	A40017. 0X.	02
	Cam strike - gap 12 mm	A48010. 05.	02
10	Corner hinge	A44121. XX.	0X
	Corner hinge 100 Kg - pins ø6	A44001. 07.	04
	Corner hinge 80 Kg - pins ø3	A44001. 07.	03
11	Hinges support with resting plates	A44203. 07.	XX
	Hinges support with pins	A44201. 07.	XX
12	Covers	A37106. 0X.	XX
	Covers for 80/100 Kg.	A37104. 1X.	XX
13	Stay support with resting plates	A4302X. 07.	00
	Stay support with pins	A43021. 07.	03
14	Lower terminal	A40481. 00.	0X
15	Striker for lifting wedge	A48010. XX.	38
16	Covers kit for stay support	A37102. 0X.	XX
17	Upper terminal	A40481. 00.	0X



Espagnolettes - Tilt & Turn



TESI - Fixed handle height

	SRH	GR	Cam Handle			
Backset 15	370-550	0	170	A40110.15.00	10	10
	490-600	1	170	A40110.15.01	10	10
	600-800	2	280	A40110.15.02	10	10
	800-1000	3	400	A40110.15.03	10	10
	1000-1200	4	1 500	A40110.15.04	10	10
	1200-1400	5	1 500	A40110.15.05	10	10
	1400-1600	6	1 500	A40110.15.06	10	10
	1600-1800	7	1 500	A40110.15.07	10	10
	1800-2000	8	2 1050	A40110.15.08	10	10
	2000-2200	9	2 1050	A40110.15.09	10	10
2200-2400	10	2 1050	A40110.15.10	10	10	
Backset 25	370-550	0	170	A40110.25.00	10	10
	490-600	1	170	A40110.25.01	10	10
	600-800	2	280	A40110.25.02	10	10
	800-1000	3	400	A40110.25.03	10	10
	1000-1200	4	1 500	A40110.25.04	10	10
	1200-1400	5	1 500	A40110.25.05	10	10
	1400-1600	6	1 500	A40110.25.06	10	10
	1600-1800	7	1 500	A40110.25.07	10	10
	1800-2000	8	2 1050	A40110.25.08	5	5
	2000-2200	9	2 1050	A40110.25.09	5	5
2200-2400	10	2 1050	A40110.25.10	5	5	
Backset 40	370-550	0	170	A40110.40.00	10	10
	490-600	1	170	A40110.40.01	10	10
	600-800	2	280	A40110.40.02	10	10
	800-1000	3	400	A40110.40.03	5	5
	1000-1200	4	1 500	A40110.40.04	5	5
	1200-1400	5	1 500	A40110.40.05	5	5
	1400-1600	6	1 500	A40110.40.06	5	5
	1600-1800	7	1 500	A40110.40.07	5	5
	1800-2000	8	2 1050	A40110.40.08	5	5
	2000-2200	9	2 1050	A40110.40.09	5	5
2200-2400	10	2 1050	A40110.40.10	5	5	

The espagnolette is supplied without DSS (which has to be ordered separately)

DSS applicable from GR2

For handle displacement see accessories for inactive sash



DSS - Security and lift device

A40906.00.01	50	300
--------------	----	-----



Espagnolettes - Tilt & Turn



TESI - Variable handle height

	SRH	GR	Cam Handle			
Backset 15	470-650	1	265-325	A40130.15.01	20	20
	640-800	2	320-400	A40130.15.02	20	20
	800-1200	3	1 400-600	A40130.15.03	20	20
	1200-1600	4	1 600-800	A40130.15.04	20	20
	1600-2000	5	1 800-1000	A40130.15.05	10	10
	2000-2400	6	2 1000-1200	A40130.15.06	10	10
Backset 25	470-650	1	265-325	A40130.25.01	10	10
	640-800	2	320-400	A40130.25.02	10	10
	800-1200	3	1 400-600	A40130.25.03	10	10
	1200-1600	4	1 600-800	A40130.25.04	10	10
	1600-2000	5	1 800-1000	A40130.25.05	5	5
	2000-2400	6	2 1000-1200	A40130.25.06	5	5
Backset 40	470-650	1	265-325	A40130.40.01	10	10
	640-800	2	320-400	A40130.40.02	10	10
	800-1200	3	1 400-600	A40130.40.03	10	10
	1200-1600	4	1 600-800	A40130.40.04	10	10
	1600-2000	5	1 800-1000	A40130.40.05	5	5
	2000-2400	6	2 1000-1200	A40130.40.06	5	5

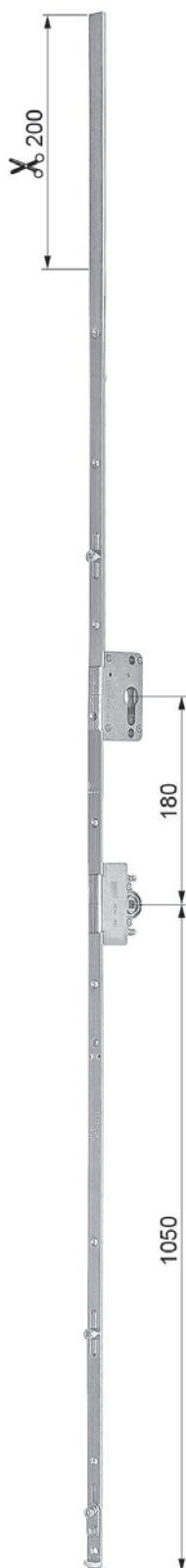
The espagnolette is supplied without DSS (which has to be ordered separately)

DSS applicable from GR 3

For handle displacement see accessories for inactive sash



Espagnolettes - Tilt & Turn



TESI - With cylinder lock

	SRH	GR	Cam	H han.			
Backset 25	1800-2000	8	2	1050	A40120.25.08	5	5
	2000-2200	9	2	1050	A40120.25.09	5	5
	2200-2400	10	2	1050	A40120.25.10	5	5
Backset 40	1800-2000	8	2	1050	A40120.40.08	5	5
	2000-2200	9	2	1050	A40120.40.09	5	5
	2200-2400	10	2	1050	A40120.40.10	5	5

The espagnolette is supplied without DSS (which has to be ordered separately)

Cylinder is not included



Espagnolettes - Terminals and Accessories for Tilt & Turn



Lower tilt terminal

GR	Description	Code	20	20
GR 1	For GR 1-2 espagnolettes	A40481.00.01	20	20
GR 2	For GR3-6 espagnolettes	A40481.00.02	20	20



Upper terminal

GR	Description	Code	20	20
GR 3	With cam 16+16mm stroke	A40481.00.03	20	20
GR 4	Without cam	A40481.00.04	20	20



Extension

GR	H	Cam	Code	20	20
GR 1	200		A40020.00.01	20	20
GR 2	400	1	A40020.00.02	20	20
GR 3	600	1	A40020.00.03	20	20



Cover plate

Length	Code	20	20
1240	A40019.00.06	20	20



Espagnolettes - Terminals and Accessories for Tilt & Turn



Handles

ALUMINIUM

Bronze plated	A30905.01.14	20	20
Champagne	A30905.01.17	20	20
Silver	A30905.01.21	20	20
Matt brass plated	A30905.01.23	20	20
White	A30905.01.91	20	20



Espagnolettes - Turn only windows



Mod. 402 for single sash

	SRH	GR	Cam Handle			
Backset 15	360-600	1	2	170	A40402.15.01	20 20
	600-800	2	2	280	A40402.15.02	20 20
	800-1000	3	2	400	A40402.15.03	20 20
	1000-1200	4	3	500	A40402.15.04	20 20
	1200-1400	5	3	500	A40402.15.05	20 20
	1400-1600	6	3	500	A40402.15.06	20 20
	1600-1800	7	3	500	A40402.15.07	20 20
	1800-2000	8	4	1050	A40402.15.08	10 10
	2000-2200	9	4	1050	A40402.15.09	10 10
	2200-2400	10	4	1050	A40402.15.10	10 10
	2400-2600	11	4	1050	A40402.15.11	10 10
Backset 25	360-600	1	2	170	A40402.25.01	10 10
	600-800	2	2	280	A40402.25.02	10 10
	800-1000	3	2	400	A40402.25.03	10 10
	1000-1200	4	3	500	A40402.25.04	10 10
	1200-1400	5	3	500	A40402.25.05	10 10
	1400-1600	6	3	500	A40402.25.06	10 10
	1600-1800	7	3	500	A40402.25.07	10 10
	1800-2000	8	4	1050	A40402.25.08	5 5
	2000-2200	9	4	1050	A40402.25.09	5 5
	2200-2400	10	4	1050	A40402.25.10	5 5
	2400-2600	11	4	1050	A40402.25.11	5 5
Backset 40	360-600	1	2	170	A40402.40.01	10 10
	600-800	2	2	280	A40402.40.02	10 10
	800-1000	3	2	400	A40402.40.03	10 10
	1000-1200	4	3	500	A40402.40.04	10 10
	1200-1400	5	3	500	A40402.40.05	10 10
	1400-1600	6	3	500	A40402.40.06	10 10
	1600-1800	7	3	500	A40402.40.07	10 10
	1800-2000	8	4	1050	A40402.40.08	5 5
	2000-2200	9	4	1050	A40402.40.09	5 5
	2200-2400	10	4	1050	A40402.40.10	5 5
	2400-2600	11	4	1050	A40402.40.11	5 5



Rod catch

A40403.00.01	50	1000
--------------	----	------



Espagnolettes - Turn only windows



Mod. 488/89 for double sashes - extensible

	15 mm throw	GR	Cam	Handle		
Backset 15	360-600	1		170	A40488.15.01	20 20
	600-800	2		280	A40488.15.02	20 20
	800-1000	3	1	400	A40488.15.03	20 20
	1000-1200	4	1	500	A40488.15.04	20 20
	1200-1400	5	1	500	A40488.15.05	20 20
	1400-1600	6	1	500	A40488.15.06	20 20
	1600-1800	7	1	500	A40488.15.07	20 20
	1800-2000	8	2	1050	A40488.15.08	10 10
	2000-2200	9	2	1050	A40488.15.09	10 10
	2200-2400	10	2	1050	A40488.15.10	10 10
	2400-2600	11	2	1050	A40488.15.11	10 10
Backset 25	600-800	2		280	A40488.25.02	10 10
	800-1000	3	1	400	A40488.25.03	10 10
	1000-1200	4	1	500	A40488.25.04	10 10
	1200-1400	5	1	500	A40488.25.05	10 10
	1400-1600	6	1	500	A40488.25.06	10 10
	1600-1800	7	1	500	A40488.25.07	10 10
	1800-2000	8	2	1050	A40488.25.08	5 5
	2000-2200	9	2	1050	A40488.25.09	5 5
	2200-2400	10	2	1050	A40488.25.10	5 5
	2400-2600	11	2	1050	A40488.25.11	5 5
	Backset 40	600-800	2		280	A40488.40.02
800-1000		3	1	400	A40488.40.03	10 10
1000-1200		4	1	500	A40488.40.04	10 10
1200-1400		5	1	500	A40488.40.05	10 10
1400-1600		6	1	500	A40488.40.06	10 10
1600-1800		7	1	500	A40488.40.07	10 10
1800-2000		8	2	1050	A40488.40.08	5 5
2000-2200		9	2	1050	A40488.40.09	5 5
2200-2400		10	2	1050	A40488.40.10	5 5
2400-2600		11	2	1050	A40488.40.11	5 5

	11 mm throw	GR	Cam	Handle		
Backset 15	360-600	1		170	A40489.15.01	20 20
	600-800	2		280	A40489.15.02	20 20
	800-1000	3	1	400	A40489.15.03	20 20
	1000-1200	4	1	500	A40489.15.04	20 20
	1200-1400	5	1	500	A40489.15.05	20 20
	1400-1600	6	1	500	A40489.15.06	20 20
	1600-1800	7	1	500	A40489.15.07	20 20
	1800-2000	8	2	1050	A40489.15.08	10 10
	2000-2200	9	2	1050	A40489.15.09	10 10
	2200-2400	10	2	1050	A40489.15.10	10 10
	2400-2600	11	2	1050	A40489.15.11	10 10

NB: it is possible to trim the espagnolette, height 1240 and couple with extensions and terminal (only for GR8)



Upper shoot bolt

11 mm throw			
Length 180		A40487.00.01	20 200
Length 120		A40487.00.02	20 200
15 mm throw			
Length 180		A40486.00.01	20 200
Length 120		A40486.00.02	20 200



Espagnolettes - Turn only and Tilt only windows



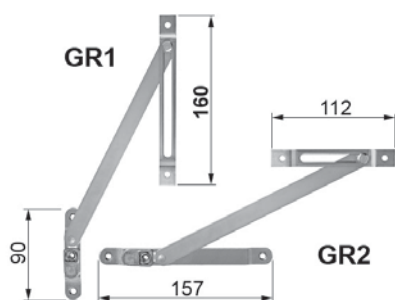
Mod. 406 with central handle

1	SRH	GR	Cam			
Backset 15	300-500	1	2	A40406.15.01	20	20
	500-800	2	2	A40406.15.02	20	20
	800-1100	3	2	A40406.15.03	20	20
	1100-1400	4	3	A40406.15.04	20	20
	1400-1800	5	3	A40406.15.05	20	20
	1940-2400	6*	4	A40406.15.06	10	10
Backset 25	300-500	1	2	A40406.25.01	10	10
	500-800	2	2	A40406.25.02	10	10
	800-1100	3	2	A40406.25.03	10	10
	1100-1400	4	3	A40406.25.04	10	10
	1400-1800	5	3	A40406.25.05	10	10
	1940-2400	6*	4	A40406.25.06	5	5
Backset 40	500-800	2	2	A40406.40.02	10	10
	800-1100	3	2	A40406.40.03	10	10
	1100-1400	4	3	A40406.40.04	10	10
	1400-1800	5	3	A40406.40.05	10	10
	1940-2400	6*	4	A40406.40.06	5	5
	300-500	1	2	A00406.40.01	10	10

* Do not use on Tilt only windows

Rod catch

2			
	A40403.00.01	50	1000



Stay arm for Tilt only windows

GR 1	To be fixed on mod. 406 GR1	A40158.00.01	20	20
GR 2	To be fixed on mod. 406 GR2-GR5	A40158.00.02	20	20



Espagnolettes - Sliding windows



Mod. 404 with hooks

	SRH	GR	Hooks		Handle		
Backset 15	800-1000	3	2	400	A40404.15.03	10	10
	1800-2000	8	3	1050	A40404.15.08	10	10
Backset 25	800-1000	3	2	400	A40404.25.03	10	10
	1800-2000	8	3	1050	A40404.25.08	5	5
Backset 40	800-1000	3	2	400	A40404.40.03	10	10
	1800-2000	8	3	1050	A40404.40.08	5	5



Rod catch

A40403.00.01 50 1000



Espagnolettes - Terminals and Accessories



Upper shoot bolt

11 mm throw

Length 180	A40487.00.01	20	200
Length 120	A40487.00.02	20	200

15 mm throw

Length 180	A40486.00.01	20	200
Length 120	A40486.00.02	20	200



Lower bolt with reverse gear

11 mm throw

Length 180	A40485.00.01	20	200
------------	--------------	----	-----

15 mm throw

Length 120	A40484.00.01	20	200
------------	--------------	----	-----



Terminal with cam

Without cam	A40481.00.04	20	20
With 16mm stroke cam	A40481.00.05	20	20

Traditional Espagnolettes



Upper and lower terminal element for traditional espagnolettes

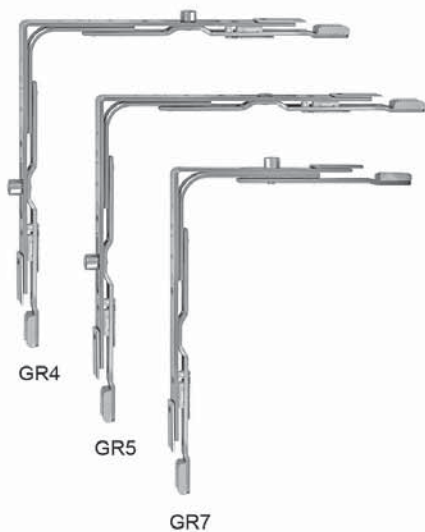
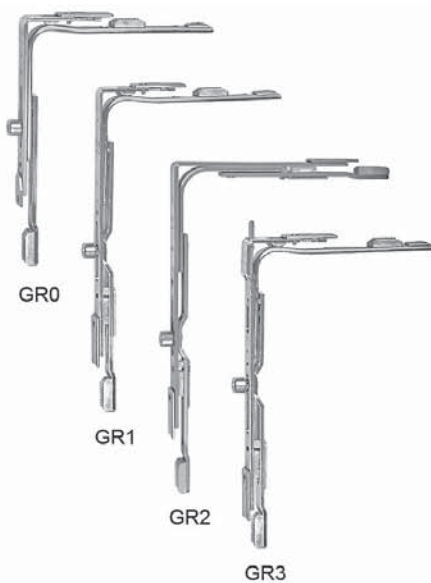
	A40471.00.01	50	500
--	--------------	----	-----



Corner drives

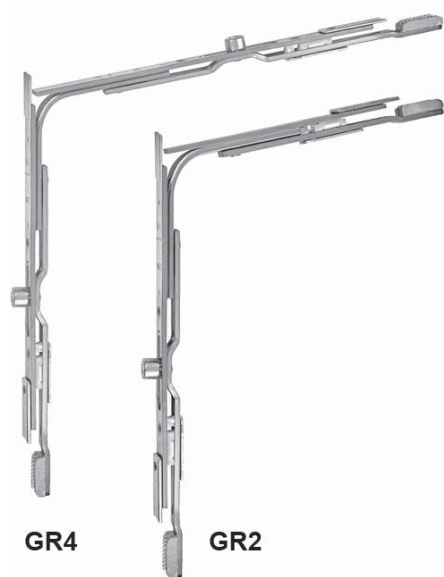
Standard

	SRW	SRH		Cam			
GR 0	280-410	370-485	1 SASH	1	A40009.00.00	20	20
GR 1	280-410	435-2400	1/2 SASHES	1	A40009.00.01	20	20
GR 2	350-1600	435-2400	1/2 SASHES	1	A40009.00.02	20	20
GR 3	280-1530	435-2400	2 SASHES	1P	A40009.00.03	20	20
GR 4	410-1660	435-2400	1/2 SASHES	2	A40009.00.04	20	20
GR 5	410-1660	435-2400	2 SASHES	1	A40009.00.05	20	20
GR 7	350-1600	435-2400	2 SASHES	1	A40009.00.07	20	20
GR 8	350-1600	435-2400	2 SASHES	2	A40009.00.08	20	20
GR 9	280-1530	435-2400	2 SASHES	P	A40009.00.09	20	20



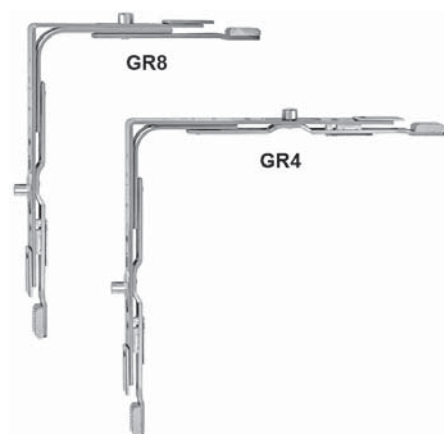


Corner drives



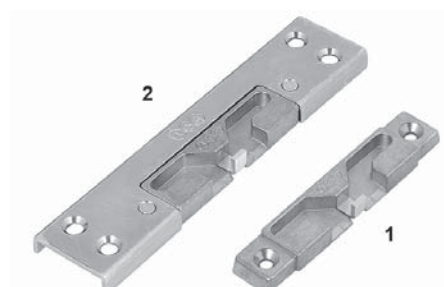
For angled windows

	SRW	SRH	Cam			
GR 2	350-1600	435-2400	1	A40022.00.02	20	20
GR 4	410-1660	435-2400	2	A40022.00.04	20	20



For Micro-ventilation

	SRW	SRH		Cam			
GR 4	410-1660	435-2400	1/2 SASHES	1	A41011.00.04	20	20
GR 8	350-1600	435-2400	1/2 SASHES	1	A41011.00.08	20	20



Striker for Micro-ventilation corner drive

1					
gap 12	A48010.05.24	50	300		
2					
U 30 (stock exhaustion)	A48037.00.24	50	250		



Stay arm - TESI for wooden windows



For rectangular windows

SRW	Cam				
280-480	GR 1		A42011.00.01	10	10
480-600	GR 2		A42011.00.02	10	10
600-800	GR 3		A42011.00.03	10	10
800-1000	GR 4	1	A42011.00.04	10	10
1000-1200	GR 5	1	A42011.00.05	10	10
1200-1400	GR 6	1	A42011.00.06	10	10



For arched windows axis 9

	L	Cam			
Rebate 18	305	GR 0		A42531.24.00	10 10
	415	GR 1	1	A42531.24.01	10 10
	960	GR 2	2	A42531.24.02	10 10

NB: compatible with the previous version, by replacing the stay arm support (A43232.24.00)
Inclusive of stay angle

	L	Cam			
Rebate 20	305	GR 0		A42531.26.00	10 10
	415	GR 1	1	A42531.26.01	10 10
	960	GR 2	2	A42531.26.02	10 10

NB: compatible with the previous version, by replacing the stay arm support (A43232.24.00)
Inclusive of stay angle

For arched windows axis 13

	L	Cam			
Rebate 18	305	GR 0		A42531.34.00	10 10
	415	GR 1	1	A42531.34.01	10 10
	960	GR 2	2	A42531.34.02	10 10

NB: compatible with the previous version, by replacing the stay arm support (A33232.24.00)
Inclusive of stay angle

	L	Cam			
Rebate 20	305	GR 0		A42531.36.00	10 10
	415	GR 1	1	A42531.36.01	10 10
	960	GR 2	2	A42531.36.02	10 10

NB: compatible with the previous version, by replacing the stay arm support (A33232.26.00)
Inclusive of stay angle

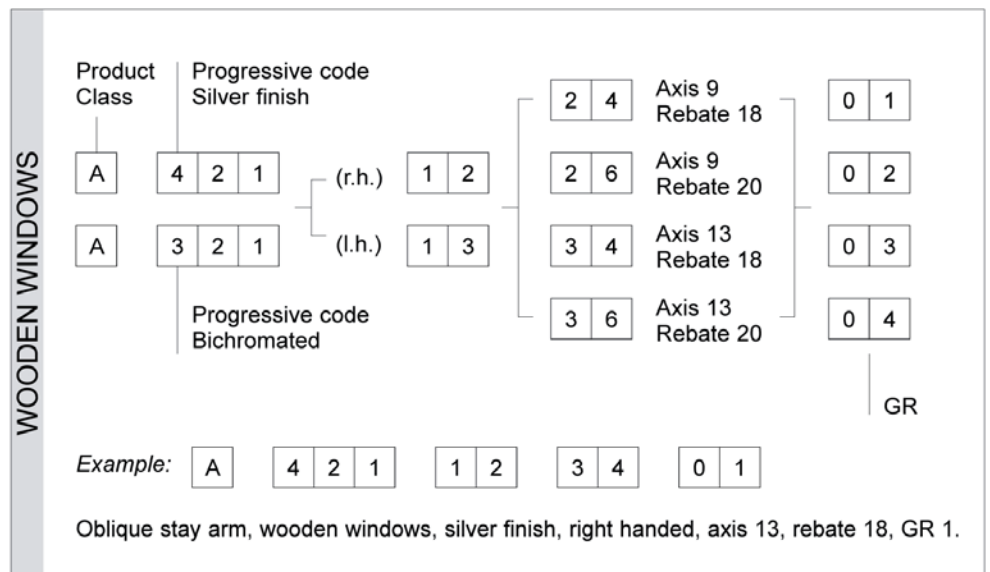


Stay arm - TESI for wooden windows



For angled windows

SRW	GR	Cam			
280-480	1		A421xx.xx.01		1 10
480-600	2		A421xx.xx.02		1 10
600-800	3		A421xx.xx.03		1 10
800-1000	4	1	A421xx.xx.04		1 10





Stay arm - ø 34 for wooden windows



Gap 4 - For rectangular windows

	SRW	Cam			
Rebate 15/18	280-480	GR 1		A40111.01.01	10 10
	480-600	GR 2		A40111.01.02	10 10
	600-800	GR 3		A40111.01.03	10 10
	800-1000	GR 4	1	A40111.01.04	10 10
	1000-1200	GR 5	1	A40111.01.05	10 10
	1200-1400	GR 6	1	A40111.01.06	10 10
	1400-1600	GR 7	1	A40111.01.07	10 10

Gap 11/12 - For rectangular windows

	SRW	Cam			
Rebate 18/20	280-480	GR 1		A40111.06.01	10 10
	480-600	GR 2		A40111.06.02	10 10
	600-800	GR 3		A40111.06.03	10 10
	800-1000	GR 4	1	A40111.06.04	10 10
	1000-1200	GR 5	1	A40111.06.05	10 10



Gap 4 - For arched windows

	L	Cam			
Rebate 15/18	305	GR 0		A42511.01.00	10 10
	415	GR 1	1	A42511.01.01	10 10
	960	GR 2	2	A42511.01.02	10 10

NB. compatible with the previous version, by keeping the same stay arm support on the jamb

Gap 11/12 - For arched windows

	L	Cam			
Rebate 18/20	305	GR 0		A42511.06.00	10 10
	415	GR 1	1	A42511.06.01	10 10
	960	GR 2	2	A42511.06.02	10 10

NB. compatible with the previous version, by keeping the same stay arm support on the jamb

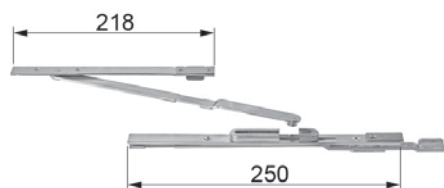


Gap 4 - For angled windows

	SRW	Cam			
Rebate 15/18	280-480	GR 1		A40112.01.01	10 10
	480-600	GR 2		A40112.01.02	10 10
	600-800	GR 3		A40112.01.03	10 10
	800-1000	GR 4	1	A40112.01.04	10 10
	1000-1200	GR 5	1	A40112.01.05	10 10
	1200-1400	GR 6	1	A40112.01.06	10 10



Stay arm - Supplementary and Tilt only



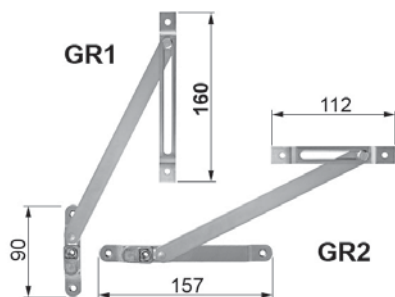
Supplementary stay arm for rectangular windows

L				
250	Only with angular GR2	A40012.00.01	20	20



Supplementary stay arm for arched windows

L		Cam		
355	GR 0		A40025.00.00	10 10
465	GR 1	1	A40025.00.01	10 10
1010	GR 2	2	A40025.00.02	10 10



For Tilt only

GR 1	To be fixed on mod. 406 GR1	A40158.00.01	20	20
GR 2	To be fixed on mod. 406 GR2-GR5	A40158.00.02	20	20



Stay arm - TESI surface mounted



For rectangular windows

SRW	GR	Cam			
280-480	GR 1		A42011.00.01	10	10
480-600	GR 2		A42011.00.02	10	10
600-800	GR 3		A42011.00.03	10	10
800-1000	GR 4	1	A42011.00.04	10	10
1000-1200	GR 5	1	A42011.00.05	10	10
1200-1400	GR 6	1	A42011.00.06	10	10



For arched windows, rebate 18

	L	GR	Cam		
Axis 9	305	GR 0		A42521.24.00	10 10
	415	GR 1	1	A42521.24.01	10 10
	960	GR 2	2	A42521.24.02	10 10
Axis 13	305	GR 0		A42521.34.00	10 10
	415	GR 1	1	A42521.34.01	10 10
	960	GR 2	2	A42521.34.02	10 10

NB: compatible with the previous version, by replacing the stay arm support (A33222.07.03)

For arched windows, rebate 20

	L	GR	Cam		
Axis 9	305	GR 0		A42521.26.00	10 10
	415	GR 1	1	A42521.26.01	10 10
	960	GR 2	2	A42521.26.02	10 10
Axis 13	305	GR 0		A42521.36.00	10 10
	415	GR 1	1	A42521.36.01	10 10
	960	GR 2	2	A42521.36.02	10 10
Axis 26	305	GR 0		A42521.46.00	10 10
	415	GR 1	1	A42521.46.01	10 10
	960	GR 2	2	A42521.46.02	10 10

NB: compatible with the previous version, by replacing the stay arm support (A33222.07.03)

For arched windows, rebate 22

	L	GR	Cam		
Axis 9	305	GR 0		A42521.28.00	10 10
	415	GR 1	1	A42521.28.01	10 10
	960	GR 2	2	A42521.28.02	10 10
Axis 13	305	GR 0		A42521.38.00	10 10
	415	GR 1	1	A42521.38.01	10 10
	960	GR 2	2	A42521.38.02	10 10
Axis 26	305	GR 0		A42521.48.00	10 10
	415	GR 1	1	A42521.48.01	10 10
	960	GR 2	2	A42521.48.02	10 10

NB: compatible with the previous version, by replacing the stay arm support (A33222.07.03)

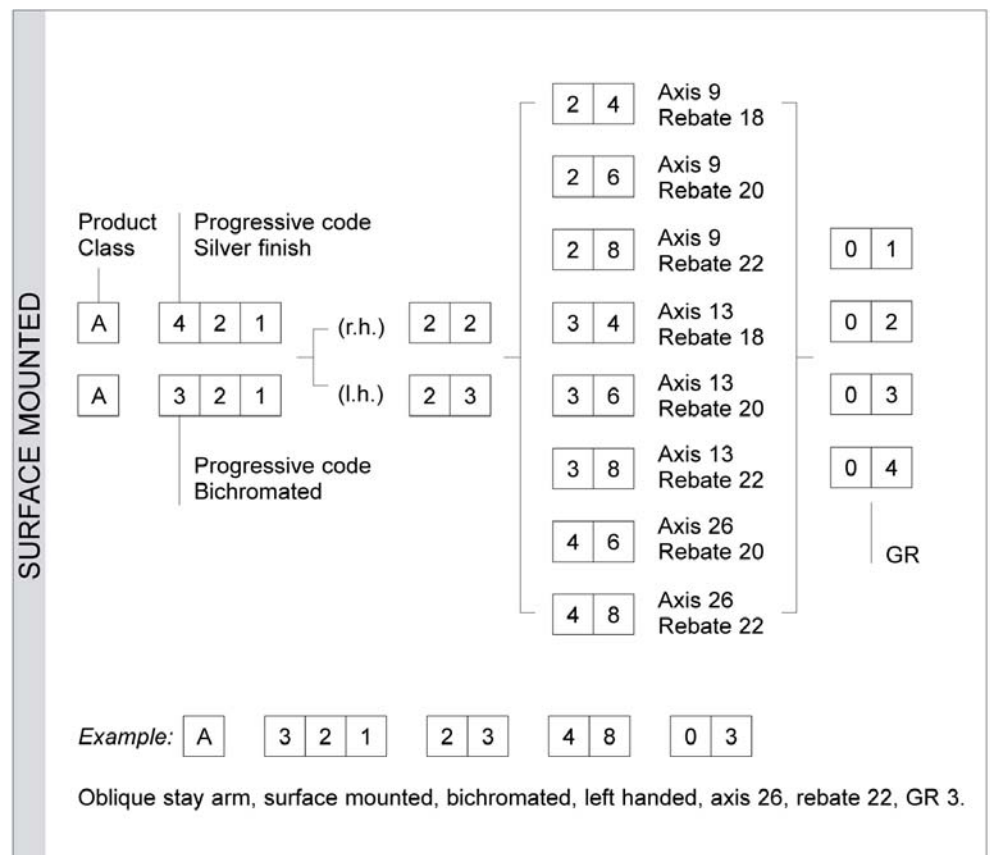


Stay arm - TESI surface mounted



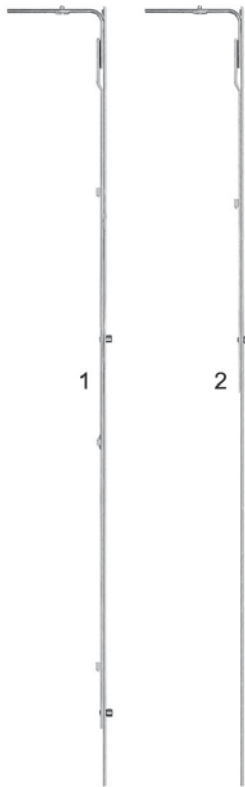
For angled windows

SRW		Cam			
280-480	1		A421xx.xx.01		1 10
480-600	2		A421xx.xx.02		1 10
600-800	3		A421xx.xx.03		1 10
800-1000	4	1	A421xx.xx.04		1 10





Central and corner locks



Central lock - short faceplate

1	SRW/SRH	Cam				
	750-950	GR 1	1	A40013.00.01	10	10
	950-1250	GR 2	1	A40013.00.02	10	10
	1250-1800	GR 3	1	A40013.00.03	10	10
	1800-2400	GR 4	2	A40013.00.04	10	10

NB: DSS use is recommended

Central lock - long faceplate

2	SRW/SRH	Cam				
	630-1065	GR 1	1	A40014.00.01	10	10
	1066-1365	GR 2	1	A40014.00.02	10	10
	1366-1915	GR 3	1	A40014.00.03	10	10
	1916-2515	GR 4	2	A40014.00.04	10	10

NB: DSS use is recommended



1 Horizontal/vertical corner drives for arched and angled windows

SRW/SRH	Cam					
370-590	470-690	GR 1		A40023.00.01	10	10
591-810	691-910	GR 2		A40023.00.02	10	10
811-1030	911-1130	GR 3	1	A40023.00.03	10	10
1031-1250	1131-1350	GR 4	1	A40023.00.04	10	10

2 Lifting wedge and screw

				A31901.00.00	20	20
--	--	--	--	--------------	----	----

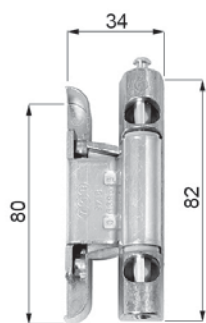


Covering gaskets

Beige	A39407.00.90	80	80
White	A39407.00.91	80	80
Black	A39407.00.93	80	80
Brown	A39407.00.94	80	80
Grey	A39407.00.97	80	80



Stay supports - TESI for wooden windows



Gap 4 - rectangular windows

Rebate 15/18	A43032.24.00	20	100
For separated transom/jamb support only	A43033.24.00	20	100
	A43034.24.00	1	50



Gap 11/12 - rectangular windows

Rebate 18	A43031.24.00	20	100
Rebate 20	A43031.26.00	20	100



Stay support only sash part

Rebate 18	gap12	A43030.24.00	1	50
Rebate 20	gap12	A43030.26.00	1	50



Stay angle only axis 9

Rebate 18	gap 4/11/12	A42321.24.00	1	50
-----------	-------------	--------------	---	----

Stay angle only axis 13

Rebate 18		A42321.34.00	1	50
Rebate 20		A42321.36.00	1	50

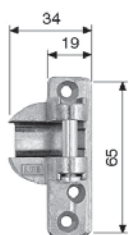


Gap 4/11/12 - arched windows

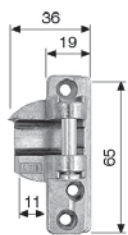
Rebate 18	adjustable from 0 to -4 mm	A43232.24.00	10	100
Rebate 20	adjustable from 0 to -4 mm	A43232.26.00	10	100



Stay supports - \varnothing 34 for wooden windows



Aria - gap 4



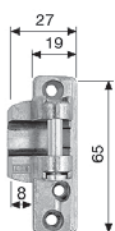
Aria - gap 11/12

Gap 4 - rectangular windows

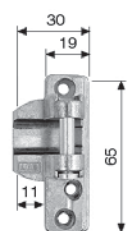
Rebate 15/18	rh	A40041.01.01	20	100
	lh	A40041.01.02	20	100

Gap 11/12 - rectangular windows

Rebate 18/20	rh	A40041.06.01	20	100
	lh	A40041.06.02	20	100



Aria - gap 4



Aria - gap 11/12

Gap 4 - arched windows

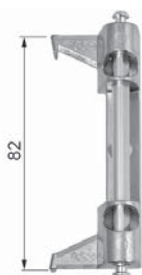
Rebate 15/18	rh	A40041.01.03	20	100
	lh	A40041.01.04	20	100

Gap 11/12 - arched windows

Rebate 18/20	rh	A40041.06.05	20	100
	lh	A40041.06.06	20	100



Stay supports - TESI surface mounted



With resting plates - rectangular windows

Rebate 18	A43023.07.00	20	200
Rebate 20	A43022.07.00	20	200
Rebate 22	A43021.07.00	20	200



With ø 3 mm pins - rectangular windows

	A43021.07.03	20	200
--	--------------	----	-----



Stay angle

Axis 9	Rebate 18	A42320.24.00	20	200
	Rebate 20	A42320.26.00	20	200
	Rebate 22	A42320.28.00	20	100
Axis 13	Rebate 18	A42320.34.00	20	200
	Rebate 20	A42320.36.00	20	200
	Rebate 22	A42320.38.00	20	100
Axis 26	Rebate 20	A42320.46.00	20	100
	Rebate 22	A42320.48.00	20	100



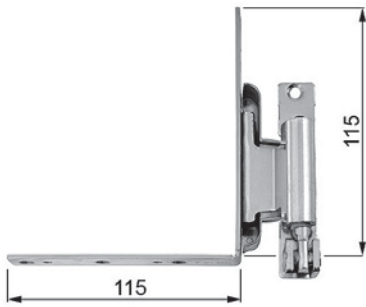
Adjustable - for arched windows

adjustable from 0 to -4 mm	A43222.07.03	10	100
----------------------------	--------------	----	-----

NB: 0/ -4 mm adjustment

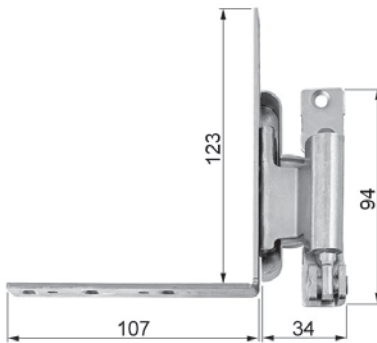


Hinges - TESI for rectangular wooden windows



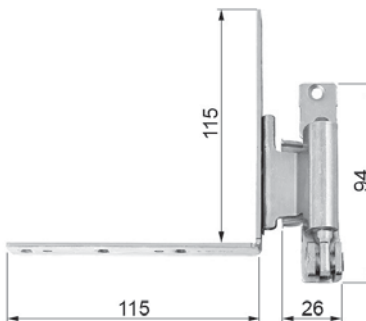
Gap 4

Rebate 15/18	rh	A44036.24.01	20	20
	lh	A44036.24.02	20	20
	rh support only	A44206.24.01	1	50
	lh support only	A44206.24.02	1	50



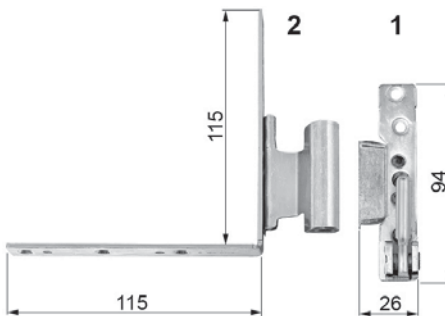
Gap 4 - for aluminium sill

Rebate 15/18	rh	A44037.24.01	20	20
	lh	A44037.24.02	20	20



Gap 11/12

Rebate 18	rh	A44030.24.01	20	20
	lh	A44030.24.02	20	20
Rebate 20	rh	A44030.26.01	20	20
	lh	A44030.26.02	20	20



Gap 11/12 - separate components

1 Rebate 18	Support only	rh	A44204.24.01	1	50
	Support only	lh	A44204.24.02	1	50
2 Rebate 18	Hinge only	rh	A44031.24.01	1	50
	Hinge only	lh	A44031.24.02	1	50
1 Rebate 20	Support only	rh	A44204.26.01	1	50
	Support only	lh	A44204.26.02	1	50

Hinge only, gap 12 axis 13

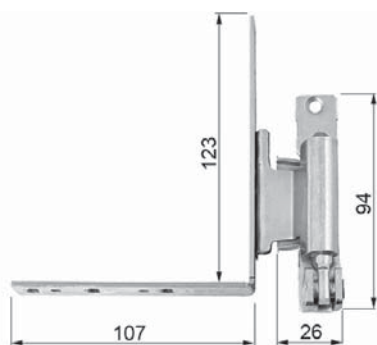
2 Rebate 18	rh	A44031.34.01	1	50
	lh	A44031.34.02	1	50
Rebate 20	rh	A44031.36.01	1	50
	lh	A44031.36.02	1	50



Hinges - TESI for rectangular wooden windows

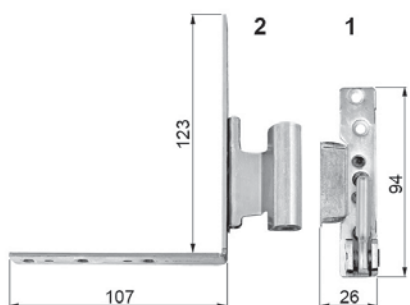
Gap 11/12 - for aluminium sill

Rebate 18	rh	A44034.24.01	20	20
	lh	A44034.24.02	20	20
Rebate 20	rh	A44034.26.01	20	20
	lh	A44034.26.02	20	20



Gap 11/12 - for aluminium sill - Separated components

1 Rebate 18	Support only	rh	A44204.24.01	1	50
	Support only	lh	A44204.24.02	1	50
2 Rebate 18	Hinge only	rh	A44035.24.01	1	20
	Hinge only	lh	A44035.24.02	1	20



Hinge only gap 12 - for alu. sill, axis 13

2 Rebate 18	rh	A44035.34.01	20	20
	lh	A44035.34.02	20	20
Rebate 20	rh	A44035.36.01	20	20
	lh	A44035.36.02	20	20



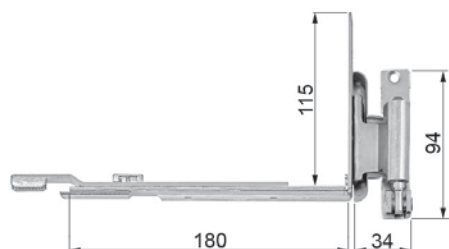
Hinge adapter for wooden windows

A20019.00.01	50	50
--------------	----	----

Hinges - TESI for arched and angled wooden windows

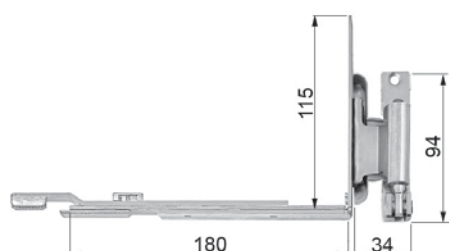
Gap 4

Rebate 15/18	rh	A44136.24.01	20	20
	lh	A44136.24.02	20	20



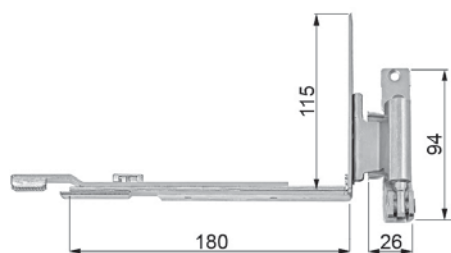
Gap 4 - for aluminium sill

Rebate 15/18	rh	A44137.24.01	20	20
	lh	A44137.24.02	20	20





Hinges - TESI for arched and angled wooden windows

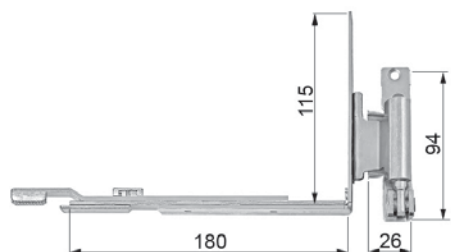


Gap 11/12

Rebate 18	rh	A44130.24.01	20	20
	lh	A44130.24.02	20	20
Rebate 20	rh	A44130.26.01	20	20
	lh	A44130.26.02	20	20

Hinge only gap 11/12, axis 13

Rebate 18	rh	A44131.34.01	20	20
	lh	A44131.34.02	20	20
Rebate 20	rh	A44131.36.01	20	20
	lh	A44131.36.02	20	20



Gap 11/12 - for aluminium sill

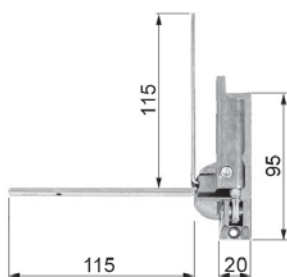
Rebate 18	rh	A44134.24.01	20	20
	lh	A44134.24.02	20	20
Rebate 20	rh	A44134.26.01	20	20
	lh	A44134.26.02	20	20

Hinge only gap 11/12 - for alu. sill axis 13

Rebate 18	rh	A44134.34.01	20	20
	lh	A44134.34.02	20	20
Rebate 20	rh	A44134.36.01	20	20
	lh	A44134.36.02	20	20

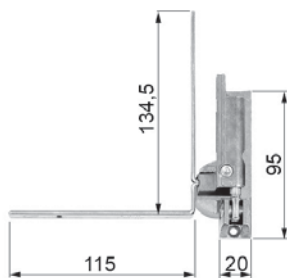


Hinges - \varnothing 34 for rectangular wooden windows



Gap 4

Rebate 15/18	rh	A40040.01.01	20	20
	lh	A40040.01.02	20	20



Gap 4 - for aluminium sill

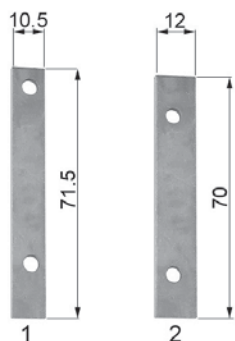
Rebate 15/18	rh	A40040.01.05	20	20
	lh	A40040.01.06	20	20

Gap 11/12

Rebate 18/20	rh	A40040.06.01	20	20
	lh	A40040.06.02	20	20

Gap 11/12 - for aluminium sill

Rebate 18/20	rh	A40040.06.05	20	20
	lh	A40040.06.06	20	20



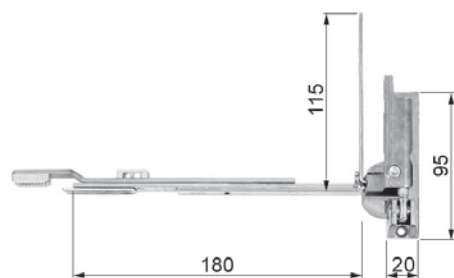
Adapter for 12 mm rebate

1		A20119.00.05	50	50
---	--	--------------	----	----

Shim for central hinge

2				
	for Rebate 18	A20019.00.10	100	100

Hinges - \varnothing 34 for arched and angled wooden windows



Gap 4

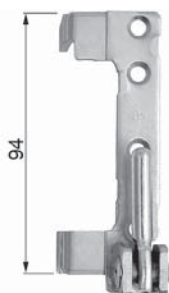
Rebate 15/18	rh	A40040.01.03	20	20
	lh	A40040.01.04	20	20

Gap 11/12

Rebate 18/20	rh	A40040.06.03	20	20
	lh	A40040.06.04	20	20



Hinges - TESI surface mounted for rectangular PVC windows



Corner support with resting plates

Rebate 18	rh	A44203.07.11	20	100
	lh	A44203.07.12	20	100
Rebate 20	rh	A44203.07.09	20	100
	lh	A44203.07.10	20	100
Rebate 22	rh	A44203.07.01	20	100
	lh	A44203.07.02	20	100



Corner support with ø 7 mm pins

		A44201.07.04	20	100
--	--	--------------	----	-----

Corner support with ø 7 mm pins (20 lower, 35 upper)

		A44201.07.13	20	100
--	--	--------------	----	-----



Corner support with ø 3 mm pins

		A44201.07.05	20	200
--	--	--------------	----	-----

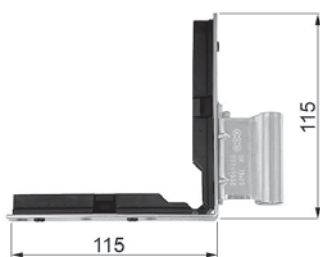


Corner hinge 100 kg - ø 6 mm pin

		A44001.07.04	20	200
--	--	--------------	----	-----



Hinges - TESI surface mounted for rectangular PVC windows



Corner hinge - rebate 18 with adapter

Axis 9	rh	A44026.24.01	20	20
	lh	A44026.24.02	20	20
Axis 13	rh	A44026.34.01	20	20
	lh	A44026.34.02	20	20

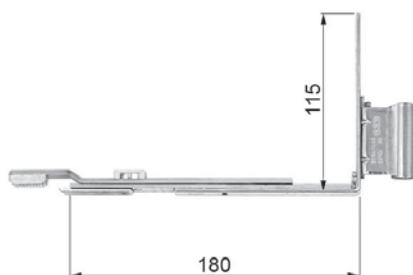
Corner hinge - rebate 20 with adapter

Axis 9	rh	A44026.26.01	20	20
	lh	A44026.26.02	20	20
Axis 13	rh	A44026.36.01	20	20
	lh	A44026.36.02	20	20
Axis 26	rh	A44026.46.01	20	20
	lh	A44026.46.02	20	20

Corner hinge - rebate 22 with adapter

Axis 9	rh	A44026.28.01	20	20
	lh	A44026.28.02	20	20
Axis 13	rh	A44026.38.01	20	20
	lh	A44026.38.02	20	20
Axis 26	rh	A44026.48.01	20	20
	lh	A44026.48.02	20	20

Hinges - TESI surface mounted for arched and angled PVC windows



Corner hinge - rebate 18

Axis 13	rh	A44121.34.01	20	20
	lh	A44121.34.02	20	20

Corner hinge - rebate 20

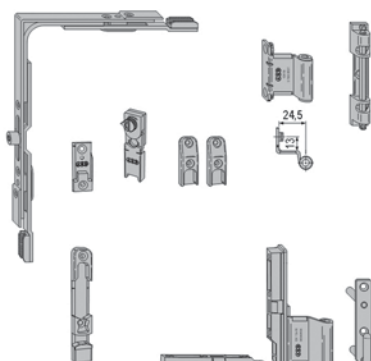
Axis 9	rh	A44121.26.01	20	20
	lh	A44121.26.02	20	20
Axis 13	rh	A44121.36.01	20	20
	lh	A44121.36.02	20	20

Corner hinge - rebate 22

Axis 13	rh	A44121.38.01	20	20
	lh	A44121.38.02	20	20

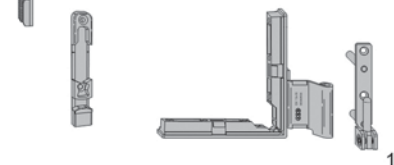


Basic Kits for Aluminium-wood windows



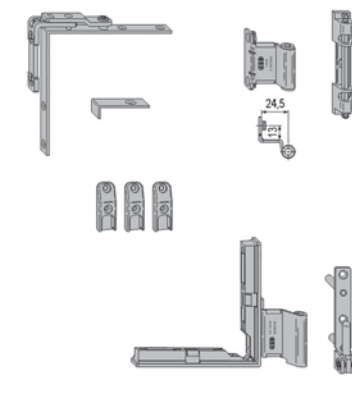
TESI - Tilt & Turn, surface mounted

	Hand	Axis	Reb.	Striker				
1 Single sash	rh	13	18	18x8	A49042.34.05		1	1
	lh	13	18	18x8	A49043.34.05		1	1
3 Double sash	rh/lh	13	18	18x8	A49044.34.05		1	1



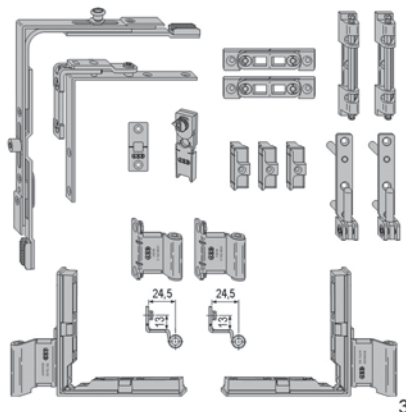
TESI - Swing, surface mounted

	Hand	Axis	Reb.	Striker				
2 Single sash	rh	13	18	18x8	A49048.34.05		1	1
	lh	13	18	18x8	A49049.34.05		1	1
4 Double sash	rh/lh	13	18	18x8	A49045.34.05		1	1



TESI - Tilt & Turn, surface mounted with resting plates

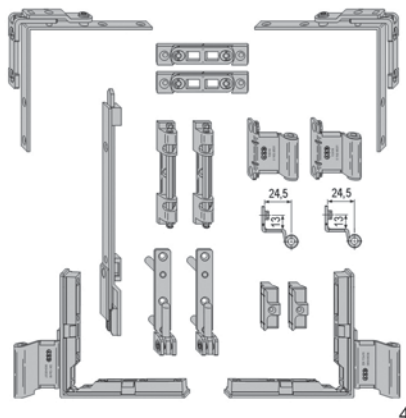
	Hand	Axis	Reb.	Striker				
1 Single sash	rh	9	18	8+7	A49062.24.04		1	1
	lh	9	18	8+7	A49063.24.04		1	1
	rh	13	18	18x8	A49062.34.05		1	1
	lh	13	18	18x8	A49063.34.05		1	1
3 Double sash	rh/lh	9	18	8+7	A49064.24.04		1	1
	rh/lh	13	18	18x8	A49064.34.05		1	1



TESI - Swing, surface mounted with resting plates

	Hand	Axis	Reb.	Striker				
2 Single sash	rh	9	18	8+7	A49068.24.04		1	1
	lh	9	18	8+7	A49069.24.04		1	1
	rh	13	18	18x8	A49068.34.05		1	1
	lh	13	18	18x8	A49069.34.05		1	1
4 Double sash	rh/lh	9	18	8+7	A49065.24.04		1	1
	rh/lh	13	18	18x8	A49065.34.05		1	1

NB: drawings may differ from the original kit





Covers - Complete kits (stay support + corner hinge)



TESI for wooden windows

Nickel plated	rh	A37104.01.06	20	20
	lh	A37104.02.06	20	20
Bronze plated	rh	A37104.01.14	20	20
	lh	A37104.02.14	20	20
Silver	rh	A37104.01.21	20	20
	lh	A37104.02.21	20	20
Enam. brass plated	rh	A37104.01.50	20	20
	lh	A37104.02.50	20	20
Matt Black	rh	A37104.01.84	20	20
	lh	A37104.02.84	20	20
White RAL 9010	rh	A37104.01.91	20	20
	lh	A37104.02.91	20	20
Brown	rh	A37104.01.94	20	20
	lh	A37104.02.94	20	20



ø 34 for wooden windows

Nickel plated	rh	A37104.12.06	20	20
	lh	A37104.13.06	20	20
Silver	rh	A37104.12.21	20	20
	lh	A37104.13.21	20	20
Enam. brass plated	rh	A37104.12.50	20	20
	lh	A37104.13.50	20	20
Matt Black	rh	A37104.12.84	20	20
	lh	A37104.13.84	20	20
White RAL 9010	rh	A37104.12.91	20	20
	lh	A37104.13.91	20	20
Brown	rh	A37104.12.94	20	20
	lh	A37104.13.94	20	20



Covers - TESI for wooden windows - Single components



Stay support + stay angle for rectangular windows

Nickel plated	A37102.01.06	20	100
Bronze plated	A37102.01.14	20	100
Silver	A37102.01.21	20	100
Enam. brass plated	A37102.01.50	20	100
White RAL 9010	A37102.01.91	20	100
Brown	A37102.01.94	20	100
Matt black	A37102.01.84	20	100



Stay support + stay angle for arched windows

Nickel plated	A37102.18.06	20	100
Bronze plated	A37102.18.14	20	100
Matt nickel plated*	A37102.18.16	20	100
Silver	A37102.18.21	20	100
Enam. brass plated	A37102.18.50	20	100
White RAL 9010	A37102.18.91	20	100
Brown	A37102.18.94	20	100

* Stock exhaustion



Corner support + corner hinge

Nickel plated	rh	A37101.01.06	50	50
	lh	A37101.02.06	50	50
Bronze plated	rh	A37101.01.14	50	50
	lh	A37101.02.14	50	50
Silver	rh	A37101.01.21	50	50
	lh	A37101.02.21	50	50
Enam. brass plated	rh	A37101.01.50	50	50
	lh	A37101.02.50	50	50
White RAL 9010	rh	A37101.01.91	50	50
	lh	A37101.02.91	50	50
Brown	rh	A37101.01.94	50	50
	lh	A37101.02.94	50	50



Covers - TESI for wooden windows - Single components



Stay support only

Silver	A37003.01.21	50	250
Enam. brass plated	A37003.01.50	50	250



Stay angle only

Silver	A37004.01.21	50	500
Enam. brass plated	A37004.01.50	50	500



Corner support only

Silver	rh	A37002.01.21	50	250
	lh	A37002.02.21	50	250
Enam. brass plated	rh	A37002.01.50	50	250
	lh	A37002.02.50	50	250



Corner hinge only

Silver	rh	A37001.01.21	50	500
	lh	A37001.02.21	50	500
Enam. brass plated	rh	A37001.01.50	50	500
	lh	A37001.02.50	50	500



Covers - ø 34 for wooden windows - Single components

Stay support + stay angle



Nickel plated	rh	A20029.01.06	50	50
	lh	A20029.02.06	50	50
Silver	rh	A20029.01.21	50	50
	lh	A20029.02.21	50	50
Enam. brass plated	rh	A20029.01.50	50	50
	lh	A20029.02.50	50	50
White RAL 9010	rh	A20029.01.91	50	50
	lh	A20029.02.91	50	50
Brown	rh	A20029.01.94	50	50
	lh	A20029.02.94	50	50



Corner support + corner hinge

Nickel plated	rh	A20029.03.06	50	50
	lh	A20029.04.06	50	50
Silver	rh	A20029.03.21	50	50
	lh	A20029.04.21	50	50
Enam. brass plated	rh	A20029.03.50	50	50
	lh	A20029.04.50	50	50
White RAL 9010	rh	A20029.03.91	50	50
	lh	A20029.04.91	50	50
Brown	rh	A20029.03.94	50	50
	lh	A20029.04.94	50	50



Covers - TESI surface mounted for PVC windows



TESI surface mounted for PVC, 100 kg

Nickel plated	rh	A37104.16.06	20	20
	lh	A37104.17.06	20	20
Bronze plated	rh	A37104.16.14	20	20
	lh	A37104.17.14	20	20
Enam. brass plated	rh	A37104.16.50	20	20
	lh	A37104.17.50	20	20
White RAL 9010	rh	A37104.16.91	20	20
	lh	A37104.17.91	20	20
Brown	rh	A37104.16.94	20	20
	lh	A37104.17.94	20	20
White RAL 9001	rh	A37104.16.98	20	20
	lh	A37104.17.98	20	20
Silver	rh	● A37104.16.21	20	20
	lh	● A37104.17.21	20	20



Stay support with resting plates + stay angle

Nickel plated	A37102.03.06	20	100
Bronze plated	A37102.03.14	20	100
Silver	A37102.03.21	20	100
Enam. brass plated	A37102.03.50	20	100
White RAL 9010	A37102.03.91	20	100
Brown	A37102.03.94	20	100
White RAL 9001	A37102.03.98	20	100



Stay support with pins + stay angle

Nickel plated	A37102.02.06	20	100
Bronze plated	A37102.02.14	20	100
Silver	A37102.02.21	20	100
Enam. brass plated	A37102.02.50	20	100
White RAL 9010	A37102.02.91	20	100
Brown	A37102.02.94	20	100



Stay support + angle for arched windows

Nickel plated	A37102.19.06	20	100
Bronze plated	A37102.19.14	20	100
Silver	A37102.19.21	20	100
Enam. brass plated	A37102.19.50	20	100
White RAL 9010	A37102.19.91	20	100
Brown	A37102.19.94	20	100
White RAL 9001	A37102.19.98	20	100



Covers - TESI surface mounted for PVC windows



Corner support with resting plates + corner hinge

Nickel plated	rh	● A37106.03.06	50	50
	lh	● A37106.04.06	50	50
Light bronze plated	rh	● A37106.03.14	50	50
	lh	● A37106.04.14	50	50
Matt silver	rh	● A37106.03.21	50	50
	lh	● A37106.04.21	50	50
Brass plated	rh	● A37106.03.50	50	50
	lh	● A37106.04.50	50	50
White RAL 9010	rh	● A37106.03.91	50	50
	lh	● A37106.04.91	50	50
Brown	rh	● A37106.03.94	50	50
	lh	● A37106.04.94	50	50
White RAL 9001	rh	● A37106.03.98	50	50
	lh	● A37106.04.98	50	50



Corner support with pins + corner hinge

Nickel plated	rh	● A37106.05.06	50	50
	lh	● A37106.06.06	50	50
Light bronze plated	rh	● A37106.05.14	50	50
	lh	● A37106.06.14	50	50
Matt silver	rh	● A37106.05.21	50	50
	lh	● A37106.06.21	50	50
Brass plated	rh	● A37106.05.50	50	50
	lh	● A37106.06.50	50	50
White RAL 9010	DX	● A37106.05.91	50	50
	lh	● A37106.06.91	50	50
Brown	rh	● A37106.05.94	50	50
	lh	● A37106.06.94	50	50
White RAL 9001	rh	● A37106.05.98	50	50
	lh	● A37106.06.98	50	50



Central hinge kit

Nickel plated	A20029.05.06	50	500
Light bronze plated	A20029.05.14	50	500
Enam. brass plated	A20029.05.50	50	500
White RAL 9010	A20029.05.91	50	500
Brown	A20029.05.94	50	500
Matt silver	A20029.05.21	50	500



Accessories for inactive sash



Handle displacement (0 mm backset)

1 GASKET

Rebate 11	A40000.00.01	50	50
Rebate 15	A40000.00.02	50	50
Rebate 18	A40000.00.03	50	50
Rebate 20	A40000.00.04	50	50

2 GASKETS

Rebate 11	A40001.00.01	50	50
Rebate 15	A40001.00.02	50	50
Rebate 18	A40001.00.03	50	50
Rebate 20	● A40001.00.04	50	50

Handle displacement (0 mm backset)axis 13

BATTUTA SENZA GUARNIZIONE

Rebate 18	A40001.00.03	50	50
Rebate 20	● A40001.00.04	50	50

BATTUTA CON GUARNIZIONE

Rebate 18	● A40911.18.13	50	50
Rebate 20	● A40911.20.13	50	50



Shim for handle displacement

REBATE WITH GASKET

A40907.00.00	50	50
--------------	----	----



Shim for handle displacement axis 13

REBATE WITHOUT GASKET

● A40907.CR.01	50	50
----------------	----	----



REBATE WITH GASKET

● A40907.CR.02	50	50
----------------	----	----



Lifting striker gap 4 (frame part)

A40017.01.16	50	250
--------------	----	-----



Lifting strikers gap 11/12 (frame part)

Flat base	A40017.06.16	50	250
-----------	--------------	----	-----

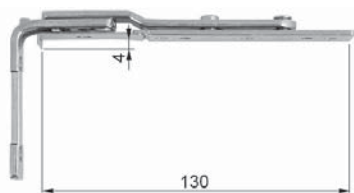


Plate for lifting strikers (sash part)

19 mm width	A40035.00.04	50	1000
For 16/12 eurogro.	A40017.25.33	50	1000

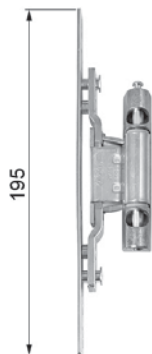


Hinges for inactive sash - TESI for wooden windows



Stay hinge

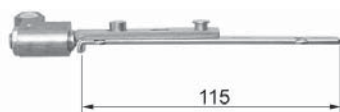
	A44331.05.00	20	100



Gap 4/11/12 - Central hinge, adjustable

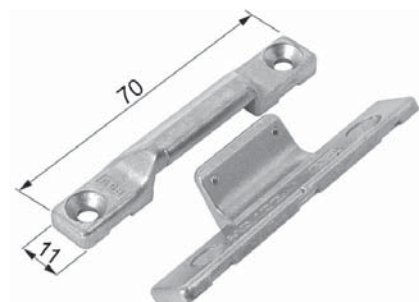
AXIS 9			
Rebate 18	A44441.24.00	20	20
Rebate 20	A44441.26.00	20	20
AXIS 13			
Rebate 18	A44441.34.00	20	20
Rebate 20	A44441.36.00	20	20

Hinges for inactive sash - ø 34 for wooden windows



Stay hinge for rectangular windows

gap 4	A40138.01.01	20	20



Central hinge, surface mounted

Rebate with gasket gap 11/12	A40028.06.01	20	200

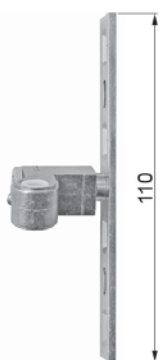


Hinge adapter for wooden windows

	A20019.00.01	50	50



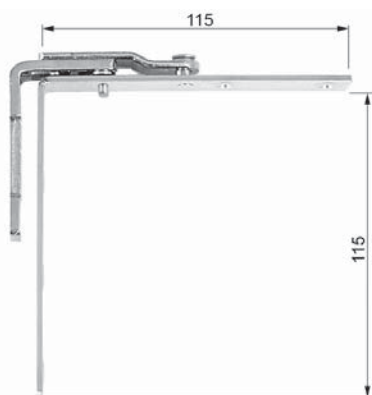
Hinges for inactive sash - \varnothing 34 for wooden windows



Upper hinge for arched windows

gap 4	A40138.01.02	20	100
gap 11/12	A40138.06.02	20	100

Hinges for inactive sash - TESI surface mounted for PVC windows



Stay hinge for rectangular windows

A44321.07.00	20	20
--------------	----	----

NB: the product being edited

Loading hinge with double adjustment

Axis 9	Rebate 18	A44442.24.00	20	20
	Rebate 20	A44442.26.00	20	20
	Rebate 22	A44442.28.00	20	20
Axis 13	Rebate 18	A44442.34.00	20	20
	Rebate 20	A44442.36.00	20	20
	Rebate 22	A44442.38.00	20	20
Axis 26	Rebate 20	A44442.46.00	20	20
	Rebate 22	A44442.48.00	20	20

NB: can be used as central or upper hinge for arched windows



Hidden central hinges



Gap 4

A44805.01.00	20	20
--------------	----	----

Can be used in conjunction with ø34 e ø40 hinges



Gap 11

8 + 6	A44805.03.00	20	20
8 + 7	A44805.04.00	20	20

Can be used in conjunction with ø34 e ø40 hinges



Gap 12

A44805.05.00	20	20
--------------	----	----

Can be used in conjunction with ø34 e ø40 hinges



Pvc

A44805.xx.00	☎	20	20
--------------	---	----	----

NB: the product being edited



Frame, gap 12 - Sash with 16/12 eurogroove

A44807.05.00	20	20
--------------	----	----



Frame, gap 11 (8+7) - Sash with 16/12 eurogroove

A44807.04.00	20	20
--------------	----	----



MAXI hinge for 3 and 4 sashes wooden windows



For timber - surface mounted - auto-jig H 60

With $\varnothing 8 \times 25$ threaded pins

Silver	A49403.02.04	12	12
--------	--------------	----	----



For timber - surface mounted - auto-jig H 60

With $\varnothing 8 \times 25$ threaded pins

Silver	A49403.04.04	12	12
--------	--------------	----	----



ABS Cover for MAXI hinge - H 60

Nickel plated	A37902.00.06	12	60
Bronze plated	A37902.00.14	12	60
Silver	A37902.00.21	12	60
Enam. brass plated	A37902.00.50	12	60
White RAL 9010	A37902.00.91	12	60
Black	A37902.00.93	12	60
Brown	A37902.00.94	12	60
White RAL 9001	A37902.00.98	12	60



For timber - surface mounted - auto-jig H 90

With $\varnothing 8 \times 25$ threaded pins

Silver	A49403.01.04	12	12
--------	--------------	----	----



MAXI hinge for 3 and 4 sashes wooden windows



For timber - surface mounted - auto-jig H 90

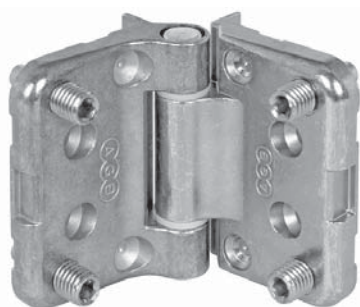
With $\varnothing 8 \times 25$ threaded pins

Silver	A49403.03.04	12	12
--------	--------------	----	----



ABS Cover for MAXI hinge - H 90

Silver	A37901.00.21	12	60
Enam. brass plated	A37901.00.50	12	60
White RAL 9010	A37901.00.91	12	60
Black	A37901.00.93	12	60
Brown	A37901.00.94	12	60
White RAL 9001	A37901.00.98	12	60



For timber - surface mounted - auto-jig H 60

With $\varnothing 8 \times 25$ threaded pins

Silver	A49403.06.04	12	12
--------	--------------	----	----



ABS Cover for MAXI hinge - H 60

Nickel plated	A37904.00.06	12	60
Bronze plated	A37904.00.14	12	60
Matt nickel plated	A37904.00.16	12	60
Silver	A37904.00.21	12	60
Enam. brass plated	A37904.00.50	12	60
White RAL 9010	A37904.00.91	12	60
Black	A37904.00.93	12	60
Brown	A37904.00.94	12	60



MAXI hinge for 3 and 4 sashes wooden windows



For timber - surface mounted - auto-jig H 60

With ø8 x 25 threaded pins

Silver	A49403.05.04	12	12
--------	--------------	----	----



ABS Cover for MAXI hinge - H 90

Nickel plated	A37903.00.06	12	60
Bronze plated	A37903.00.14	12	60
Matt Nickel plated	A37903.00.16	12	60
Silver	A37903.00.21	12	60
Enam. brass plated	A37903.00.50	12	60
White RAL 9010	A37903.00.91	12	60
Black	A37903.00.93	12	60
Brown	A37903.00.94	12	60

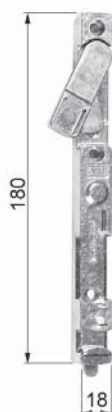


1 mm thickness compensator

1 H60			
Silver	A49403.98.00	500	500
2 H90			
Silver	A49403.99.00	500	500

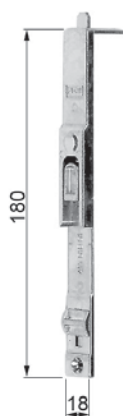


Bolts



Lower

gap 4	A40036.01.01	20	20
gap 11 (8+5)	A40036.02.01	20	20
gap 12	A40036.05.01	20	20
Pvc	A40036.xx.01	20	20
16/12 eurogroove	A40036.25.01	20	20



Upper

gap 4	A40036.01.02	20	20
gap 11 (8+5)	A40036.02.02	20	20
gap 12	A40036.05.02	20	20
Pvc	A40036.xx.02	20	20
16/12 eurogroove	A40036.25.02	20	20





Upper and lower - adjustable throw

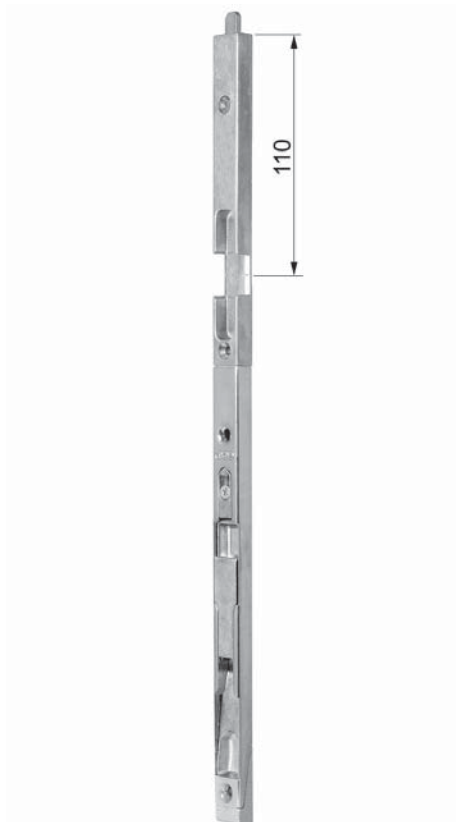
Length 210	gap 4	A40061.01.01	20	180
	gap 11/12	A40061.05.01	20	180
	Groove 16/12	A40061.19.01	20	180
Length 300	gap 4	A40061.01.02	20	180
	gap 11/12	A40061.05.02	20	180
	Groove 16/12	A40061.19.02	20	180



Bolts

Upper with roller cam striker - adjustable throw

Length 360	Groove 16/12	A40064.19.01		20	120
Length 550	Groove 16/12	A40064.19.02		20	20





Extensible Bolt for 16/12 eurogroove with pre-assembled strikers

1 Extensible bolt - gap 12, 11 mm throw

SRH	GR	Cam			
600-800	2		A46110.00.02	20	20
800-1000	3	1	A46110.00.03	20	20
1000-1200	4	1	A46110.00.04	20	20
1200-1400	5	1	A46110.00.05	20	20
1400-1600	6	1	A46110.00.06	20	20
1600-1800	7	1	A46110.00.07	20	20
1800-2000	8	2	A46110.00.08	10	10
2000-2200	9	2	A46110.00.09	10	10
2200-2400	10	2	A46110.00.10	10	10



2 Shoot bolt

11 mm throw

Length 120	A40487.00.02	20	200
Length 180	A40487.00.01	20	200

3 Shoot bolt with cam striker

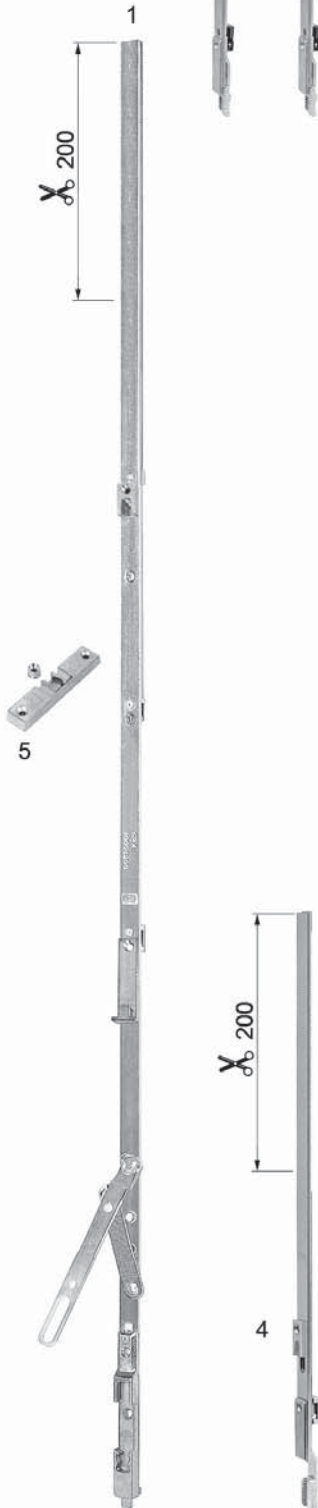
11 mm throw	A40035.00.01	20	20
-------------	--------------	----	----

4 Extension for 16/12 bolt with cam striker

	A46905.00.02	20	20
--	--------------	----	----

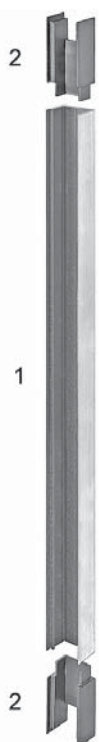
5 Sash catcher

gap 11/12	18X84X9,5	Flat base	A40017.06.18	50	300
-----------	-----------	-----------	--------------	----	-----





Bolts - Eurogroove profile



16/12 eurogroove aluminium profile - plain

1	L			
	1500	A36901.01.00	10	10
	3000	A36901.02.00	10	10
	6000	A36901.03.00	10	10

Cap for 16/12 eurogroove aluminium profile - grey

2				
		A36907.00.97	50	50

16/12 eurogroove aluminium profile - bronze plated

1	L			
	1500	A36901.01.14	10	10
	3000	A36901.02.14	10	10
	6000	A36901.03.14	10	10

Cap for 16/12 eurogroove aluminium profile - bronze plated

2				
		A36907.00.14	50	50



Extensible Bolt for Euronut 8+5 groove



1 Extensible bolt - gap 11, 11 mm throw

SRH	GR	Cam			
600-800	2		A40032.02.02	20	20
800-1000	3	1	A40032.02.03	20	20
1000-1200	4	1	A40032.02.04	20	20
1200-1400	5	1	A40032.02.05	20	20
1400-1600	6	1	A40032.02.06	20	20
1600-1800	7	1	A40032.02.07	20	20
1800-2000	8	2	A40032.02.08	10	10
2000-2200	9	2	A40032.02.09	10	10
2200-2400	10	2	A40032.02.10	10	10

2 Shoot bolt

Lenght 180	A40035.02.01	20	20
------------	--------------	----	----

3 Cam striker

A40035.02.02	50	1000
--------------	----	------

4 Latch striker

A40035.02.03	50	50
--------------	----	----

5 Striker + lifting cam for Unitop

A40035.02.04	50	50
--------------	----	----

6 DSS protection tang

A40099.00.01	50	50
--------------	----	----

7 Extension for Euronut bolt

A40035.02.05	20	20
--------------	----	----



Extensible Bolt for Euronut 8+7 groove



1 Extensible bolt - gap 11, 11 mm throw

SRH	GR	Cam			
600-800	2		A40032.04.02	20	20
800-1000	3	1	A40032.04.03	20	20
1000-1200	4	1	A40032.04.04	20	20
1200-1400	5	1	A40032.04.05	20	20
1400-1600	6	1	A40032.04.06	20	20
1600-1800	7	1	A40032.04.07	20	20
1800-2000	8	2	A40032.04.08	10	10
2000-2200	9	2	A40032.04.09	10	10
2200-2400	10	2	A40032.04.10	10	10

2 Upper terminal

A40035.02.01	20	20
--------------	----	----

3 Cam striker

A40035.04.02	50	1000
--------------	----	------

4 Latch striker

A40035.02.03	50	50
--------------	----	----

5 Striker + lifting cam for Unitop

A40035.02.04	50	50
--------------	----	----

6 DSS protection tang

A40099.00.01	50	50
--------------	----	----

7 Extension for Euronut bolt

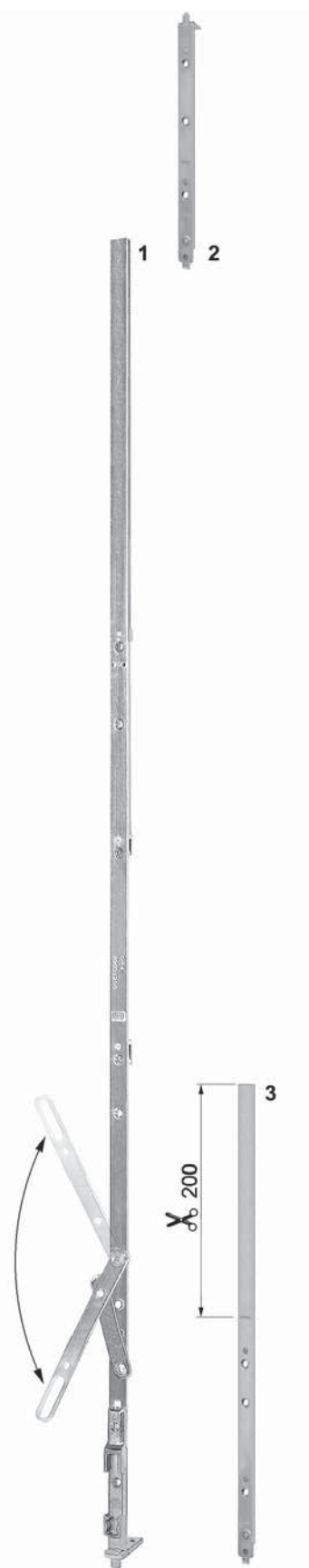
A40035.02.05	20	20
--------------	----	----

8 Adjustable striker for Euronut 8+7 throw

gap 4	A40017.01.35	50	500
gap 11 (8+7)	A40017.04.35	50	500
gap 12	A40017.05.35	50	500



Extensible Bolt for Euronut, 180° lever



1 Extensible bolt - gap 11, 11 mm throw-rh

SRH	GR			
600-800	2	A46121.02.02	10	10
801-1000	3	A46121.02.03	10	10
1001-1200	4	A46121.02.04	10	10
1201-1400	5	A46121.02.05	10	10
1401-1600	6	A46121.02.06	10	10
1601-1800	7	A46121.02.07	10	10
1801-2000	8	A46121.02.08	10	10
2001-2200	9	A46121.02.09	10	10
2201-2400	10	A46121.02.10	10	10

1 Extensible bolt - gap 11, 11 mm throw-lh

SRH	GR			
600-800	2	A46122.02.02	10	10
801-1000	3	A46122.02.03	10	10
1001-1200	4	A46122.02.04	10	10
1201-1400	5	A46122.02.05	10	10
1401-1600	6	A46122.02.06	10	10
1601-1800	7	A46122.02.07	10	10
1801-2000	8	A46122.02.08	10	10
2001-2200	9	A46122.02.09	10	10
2201-2400	10	A46122.02.10	10	10

2 Upper terminal

Lenght 180	A40035.02.01	20	20
------------	--------------	----	----

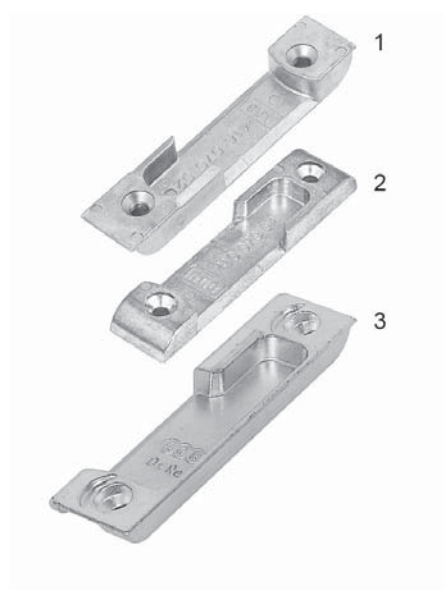
NB: can be used on 8+5, 8+6 and 8+7 central joint, in conjunction with proper strikers

3 Extension for Euronut bolt

	A40035.02.05	20	20
--	--------------	----	----



Cam strikers



Gap 4

1	18X82x8	axis 9	A40017.01.02	50	500
2	18X82x8	surface	A40017.01.10	50	500
3 axis 13	rh	23X82X8	● A48011.DC.02	50	500
	lh	23X82X8	● A48012.DC.02	50	500



Gap 11

8+6 groove	15X46X8		A40017.03.02	50	500
8+7 groove	15X46X8		A40017.04.02	50	500



Gap 12

1 axis 9	17X46X8		A48010.05.02	50	500
2 axis 13	23X46X8,5	reb. 24	A48010.CR.02	50	500



Pvc

Axxxxx.xx.02 ☎ 1 1



16/12 eurogroove

18X46X8	PVC groove 16/12		A40017.25.32	50	50
---------	------------------	--	--------------	----	----



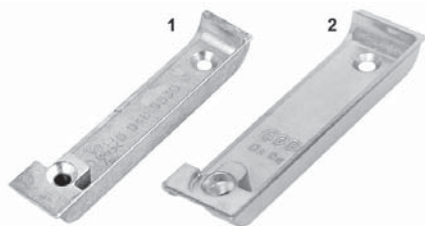
Extensible bolt for 16/12 eurogroove

A40035.00.03 50 1000

NB: to use with bolt A40032.05.XX



DSS strikers



Gap 4

1	rh	18X82X8	A48011.01.03	50	500
	lh	18X82X8	A48012.01.03	50	500
2	rh axis 13	23X82X8	● A48011.DC.03	50	500
	lh axis 13	23X82X8	● A48012.DC.03	50	500



Gap 12

1	rh	17X46X8	A48011.05.03	50	500
	lh	17X46X8	A48012.05.03	50	500
2	Axis 13 reb. 24	23X46X8	A48010.CR.03	50	500



Gap 11 (8+6) and 11 (8+7)

rh	14X46X8	A48011.11.03	50	500
lh	14X46X8	A48012.11.03	50	500



Extensible bolt for 16/12 eurogroove

	18X64X8	A48010.09.03	50	500
--	---------	--------------	----	-----

NB: to use with bolt A40032.05.XX



PVC

	variable	Axxxxx.xx.03	☎ 50	500
--	----------	--------------	------	-----



PVC 16/12 eurogroove

1	Canalino 16/12	18X46X14	A48010.19.03	50	500
---	----------------	----------	--------------	----	-----

Wood and Wood-aluminium, 16/12 eurogroove

2					
	rh	17X46X11	A48011.19.33	50	500
	lh	17X46X11	A48012.19.33	50	500

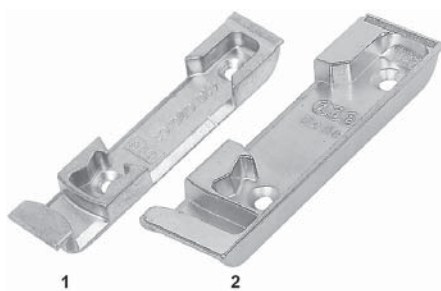


DSS insert for steel antibuglar strikers

NYLON					
Black	rh		A38904.01.93	50	600
	lh		A38904.02.93	50	600



Tilt strikers



Gap 4

1	18X82x8	A40017.01.01	50	500
1 All. thres. 2,5x7	17x104x9	A48010.05.99	50	250
2 axis13 rh	23X82X8	● A48011.DC.01	50	250
2 axis13 lh	23X82X8	● A48012.DC.01	50	250



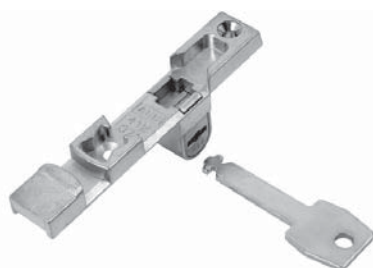
Gap 11

8+6 groove	17X108,5X7,5	A40017.03.01	50	250
8+7 groove	17X108,5X8	A40017.04.01	50	250



Gap 12

with flat base	17x104x9	A48010.05.01	50	250
all. threshold 2x2	17x104x9	A48010.05.44	50	50
Axis 13 reb. 24	22X104X8	A48010.CR.01	50	250



With key lock

gap 4	18X82X8	A40017.01.14	20	200
gap 11/12	18X104X8	A40017.06.14	20	200



Pvc

variable	Axxxxx.xx.01	☎ 20	20
----------	--------------	------	----



Strikers for shootbolt throw

Adjustable for shoot bolts



gap 4	1**	18X82x8	1 hole	A40017.01.04	50	500
	4**	18X82x8	2 holes	A40017.01.05	50	500
	1	16X82X8	1 hole	A40017.01.06	50	500
	4	16X82X8	2 holes	A40017.01.07	50	500
	1	14,5X82X8	1 hole	A40017.01.08	50	500
gap 11/12	4	14,5X82X8	2 holes	A40017.01.09	50	500
	13*	18X82X8	1 hole	A40017.01.35	50	500
	6	17X82X6,6	1hole 8+6	A40017.03.04	50	500
	7	17X82X6,6	2 hole 8+6	A40017.03.05	50	500
	6	17X82X6,6	1 hole 8+7	A40017.04.04	50	500
	7	17X82X6,6	2 hole 8+7	A40017.04.05	50	500
	8**	17X82X6,6	1 hole	A40017.06.04	50	500
	9**	17X82X6,6	2 hole	A40017.06.05	50	500
	8	16X82X6,6	1 hole	A40017.06.06	50	500
	9	16X82X6,6	2 holes	A40017.06.07	50	500
	8	14,5X82X6,6	1 hole	A40017.06.08	50	500
9	14,5X82X6,6	2 hole	A40017.06.09	☎	50 500	
11	25X50X2	marble thresh.	A40017.00.19	50	500	
gap 11 (8+7)	14*	17X82X6,6	1 hole	A40017.04.35	50	500
gap 12	8**	17X82X7,8	1 hole	A40017.05.04	50	500
	9**	17X82X7,8	2 hole	A40017.05.05	50	500
	9	17X82X8	Vivaldi	A48010.05.28	☎	50 500
	15*	17X82X7,8	1 hole	A40017.05.35	50	500
gap 12 axis 13	19	23X82X6,6	2 hole reb. 24	A48010.CR.05	50	500
	19	23X82X8	2 hole reb. 24	A48010.CR.48	50	500
Pvc	7		2 holes	Axxxx.xx.05	☎	1 1
	10		with bush	Axxxx.xx.23	☎	1 1

*To be used with 8+6 e 8+7 euronut groove

** stock exhaustion

Adjustable for shoot bolts with steel plate



gap 4	2*	18X82X8	1 hole	● A48010.01.54	50	500
	5	18X82x8	1 hole	● W01697.01.13	50	500
gap 4 axis 13	3	23X82X8	1 hole	● A48010.DC.49	50	500
gap 12	18*	17X82X7	1 hole	● A48010.05.57	50	500
	17*	17X82X8	1 hole	● A48010.05.55	50	500
	16*	17X82X8	1 hole	● A48010.05.56	50	500
	12	17X102X8	1 hole	A41697.06.13	50	250

*Available from April 2010



Strikers for supplementary stay arms for arched windows



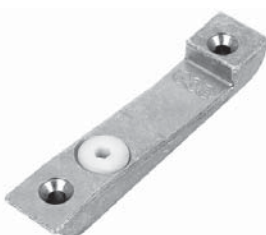
Gap 4

18X82x8	A40017.01.17	50	500
---------	--------------	----	-----

Gap 12

17X86X8	A40017.05.17	50	500
---------	--------------	----	-----

Lift strikers for arched and angled windows



Gap 4 adjustable striker for lifting wedge

18X82x8	A48010.01.38	20	20
---------	--------------	----	----



Gap 12 adjustable striker for lifting wedge

Axis 9	18X46X6,5	A48010.05.38	20	20
Axis 13	reb. 24	A48010.CR.16	20	20



Gap 11 adjustable striker for lifting wedge

(8+6)/(8+7)	18X46X6,5	A48010.11.38	20	20
-------------	-----------	--------------	----	----



Lifting wedge and screw

A31901.00.00	20	20
--------------	----	----



Sash catchers



Gap 4

	18X82x8	A40017.01.18	50	300
Axis 13 *	23X82X8	● A48010.DC.18	50	250

* Available until May 2010



Gap 11/12

	18X84X9,5	Flat base	A40017.06.18	50	300
Axis 13	23X72X9	Reb. 24	A48010.CR.18	50	250



Cam for sash catchers for 16/12 eurogroove

16x16	A40047.07.01	50	500
-------	--------------	----	-----



Pvc

A40017.xx.18	50	300
--------------	----	-----

Accessories for strikers



Shim for 16/12 eurogroove

A38902.19.01	50	500
--------------	----	-----



Accessories



Multi-Key REGOLANTE

A39405.00.01	1	10
--------------	---	----



4 mm Allen Key

A39405.01.01	☎ 20	20
--------------	------	----



2,5 mm Allen Key

A39405.01.02	☎ 20	20
--------------	------	----



11 mm fork wrench

A39405.01.03	☎ 20	20
--------------	------	----



13 mm hexagonal wrench

A39405.01.04	☎ 20	20
--------------	------	----



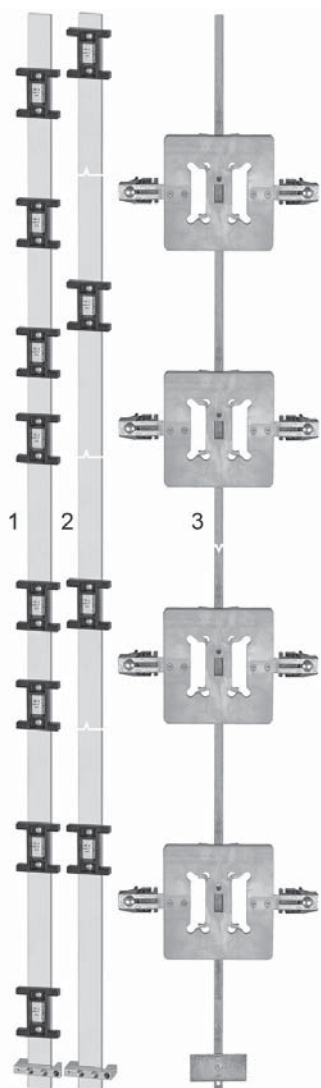
Jigs - Espagnolettes

Jigs for mod. 402 espagnolettes

1 Window	SRH up to 1800	A39310.06.00	☎	1	1
2 Balcony door	SRH over 1800	A39310.06.01	☎	1	1

Jig for mod. 406 - GR 6 espagnolettes, Gap 4 SRH

3		A39311.01.00		1	1
---	--	--------------	--	---	---





Jigs - Espagnolettes



Jig for mod. 406 - GR 6 espagnolettes, Gap 12

SRH

1940-2400

A39311.06.00



1

1



Jigs - Espagnolettes

Complete kit for gap 11/12 wooden windows

Window	SRH up to 1800	A20030.06.01	1	1
Balcony door	SRH over 1800	A20030.06.02	1	1

Complete kit for PVC

For windows		A39303.07.01	1	1
For balcony doors		A39303.07.02	1	1



Jig for espagnolette gear hole

		A20030.00.01	1	1
--	--	--------------	---	---





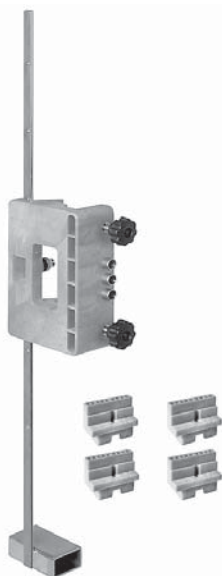
Jigs - Espagnolettes

Kit for handle displacement

Rebate without gasket	A20030.01.14	1	1
Rebate with gasket	A20030.01.15	1	1

Kit for handle displacement axis 13

Rebate without gasket	● A39316.00.01	1	1
Rebate with gasket	● A39316.00.02	1	1



Single Jig

Rebate without gasket	A20030.01.12	1	1
Rebate with gasket	A20030.01.13	1	1



Shims

Rebate 11 rh	A20030.01.38	1	1
Rebate 11 lh	A20030.01.39	1	1
Rebate 15 rh	A20030.01.40	1	1
Rebate 15 lh	A20030.01.41	1	1
Rebate 18 rh	A20030.01.42	1	1
Rebate 18 lh	A20030.01.43	1	1
Rebate 20 rh	A20030.01.44	1	1
Rebate 20 lh	A20030.01.45	1	1



Jigs - Central locks

Jig for central locks, gap 12

A39309.06.00 ☎ 1 1





Jigs - gap 12 stay arms



Jig for corner drive and stay arm SRW 800-1600, 1-2 sashes

800-1600

A39308.06.01 1 1

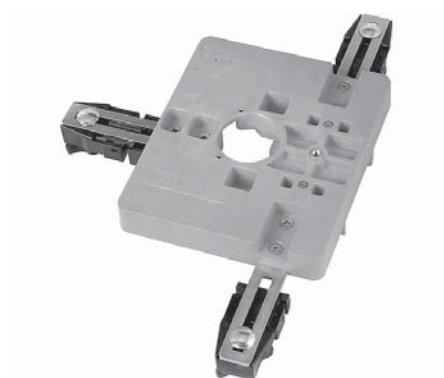


Jig for micro-ventilation and stay arm, gap 11/12

A39308.06.02 1 1



Jigs - TESI for wooden windows, gap 12

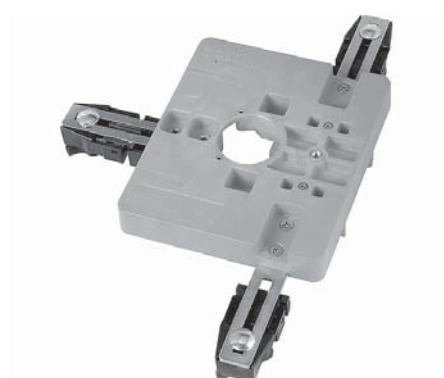


Jig for corner hinge and stay arm support

A39200.00.01	1	1
--------------	---	---

NB: for all gap 12 ø 40 supports and corner hinges

Jigs - TESI for wooden windows, gap 4



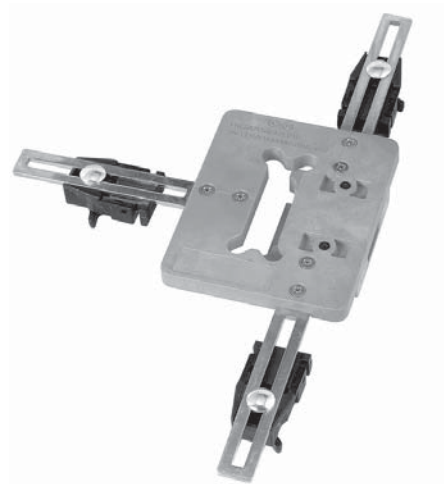
Jigs for ø 40 mm boring

A39200.00.01	1	1
--------------	---	---

NB: for supports ø 40 hole on rectangular, arched and angled windows
for corner hinges ø 40 hole with aluminium sill

A39200.01.02	1	1
--------------	---	---

NB: for corner hinges ø 40 hole on rectangular, arched and angled windows



Jigs for tray milling

A39200.01.01	1	1
--------------	---	---

NB: for tray of stay supports on rectangular and angled windows
for tray of corner hinges

A39200.01.03	1	1
--------------	---	---

NB: for tray of corner hinges for aluminium sill

Guide rings



51 mm ring for ø 40 mm TESI hole

Elu - De Walt	A39402.00.01	1	1
Festool	A39402.00.02	1	1
Felisatti	A39402.00.03	1	1
Makita	A39402.00.04	1	1
Hitachi	A39402.00.05	1	1

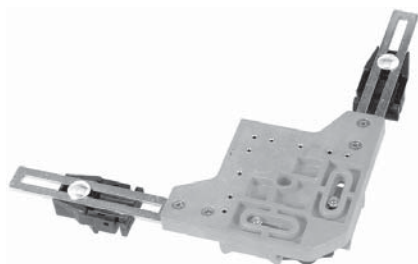


Jigs - TESI, surface mounted for PVC



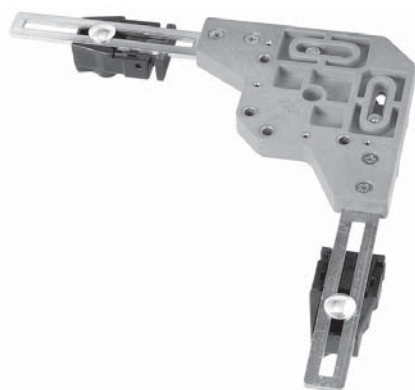
Jigs for 80 kg and 100 kg hinges

A39200.07.06	1	1
--------------	---	---



Jig for stay support and corner hinge with 3 mm pins

A39200.07.03	1	1
--------------	---	---



Jig for corner hinge with 7 mm pins

A39200.07.04	1	1
--------------	---	---

Jigs - Jigs rods for TESI and Mod. 488/489 espagnolettes



Jigs rod for windows mod. 488 espagnolette strikers

Rod	A20030.01.17	1	1
-----	--------------	---	---



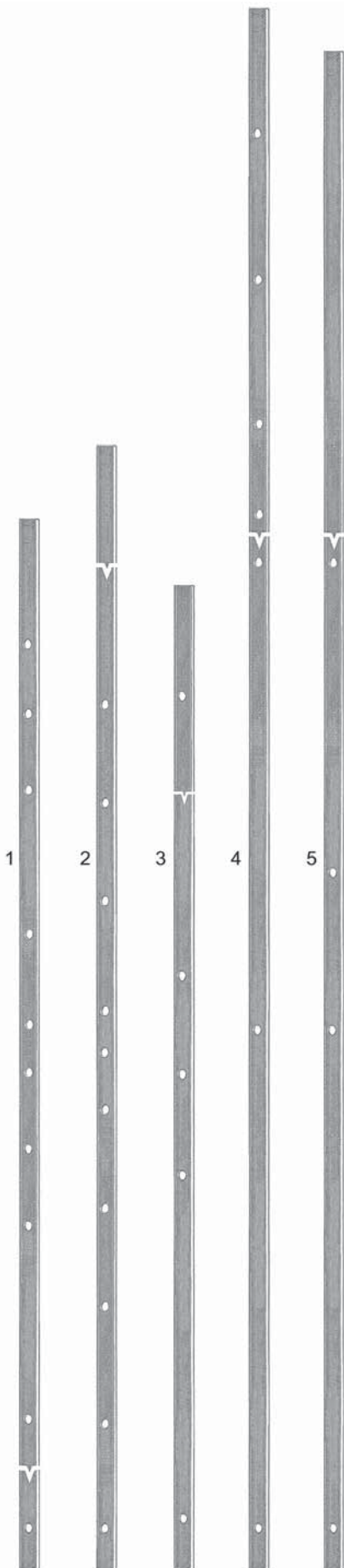
Jigs - Jigs rods for TESI and Mod. 488/489 espagnolettes

Jigs rod for windows, 4 gap

1 For tilt&turn windows	A20030.01.28	1	1
2 For 1sash windows	A20030.01.18	1	1
3 For central locks	A20030.01.30	1	1

Jigs rod for balcony doors

4 For 1sash balcony doors	A20030.01.19	1	1
5 For tilt&turn balcony doors	A20030.01.29	1	1

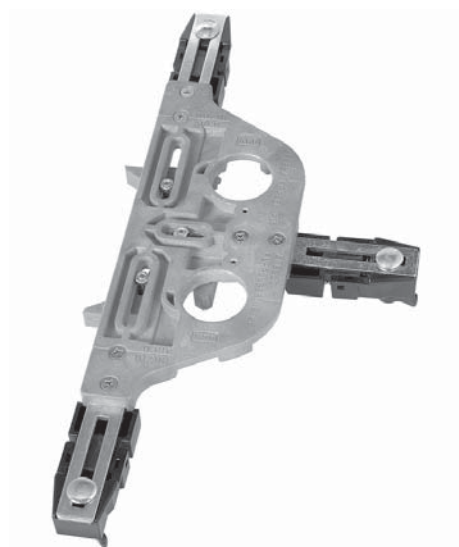




Jigs - Wooden windows

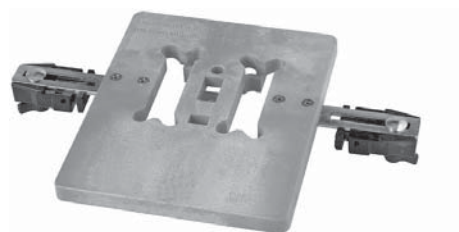
For corner support and stay support, ø 34 (frame)

gap 4, rebate 15 / gap 11/12	A20030.00.03	1	1
gap 4 Rebate 18	A20030000.37.01	1	1
Reducing ring ø 34	A20030.00.04	1	1
Reducing ring ø 40	A20030.00.05	1	1



For cam of corner drives, gap 4

A20030.01.25	1	1
--------------	---	---



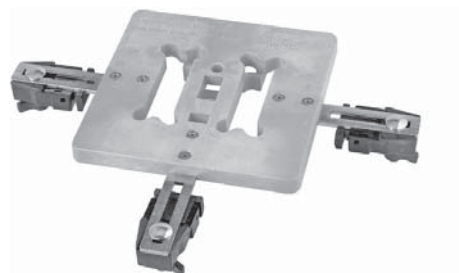
For cam and DSS strikers, gap 4

A20030.01.27	1	1
--------------	---	---



For Tilt strikers, gap 4

A20030.01.26	1	1
--------------	---	---



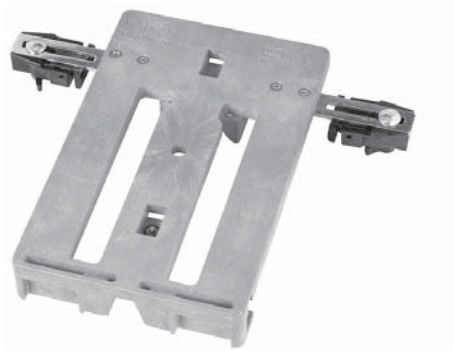
For cam and DSS strikers, on 2 sashes, gap 4

A20030.01.31	1	1
--------------	---	---





Jigs - Wooden windows



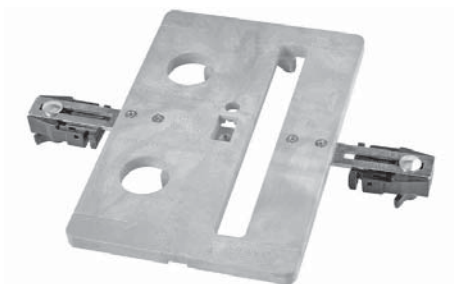
For Tilt&Turn bolts, 4 gap

gap 4	A20030.01.32	1	1
-------	--------------	---	---



For Tilt corner striker, gap 4

gap 4	A20030.01.35	1	1
-------	--------------	---	---



For stay arm milling, arched windows, gap 4

gap 4	A20030.01.33	1	1
-------	--------------	---	---

Jigs - Accessories



Shim for gap 11, for art. A20030.01.25 jigs

	A20030.01.01	1	1
--	--------------	---	---



Clamp for jigs

	A20030.01.02	1	1
--	--------------	---	---



Wing nut for jig fastening

	A20030.01.03	1	1
--	--------------	---	---



Jigs - Accessories



Jig fastening knob

A20030.01.04	1	1
--------------	---	---

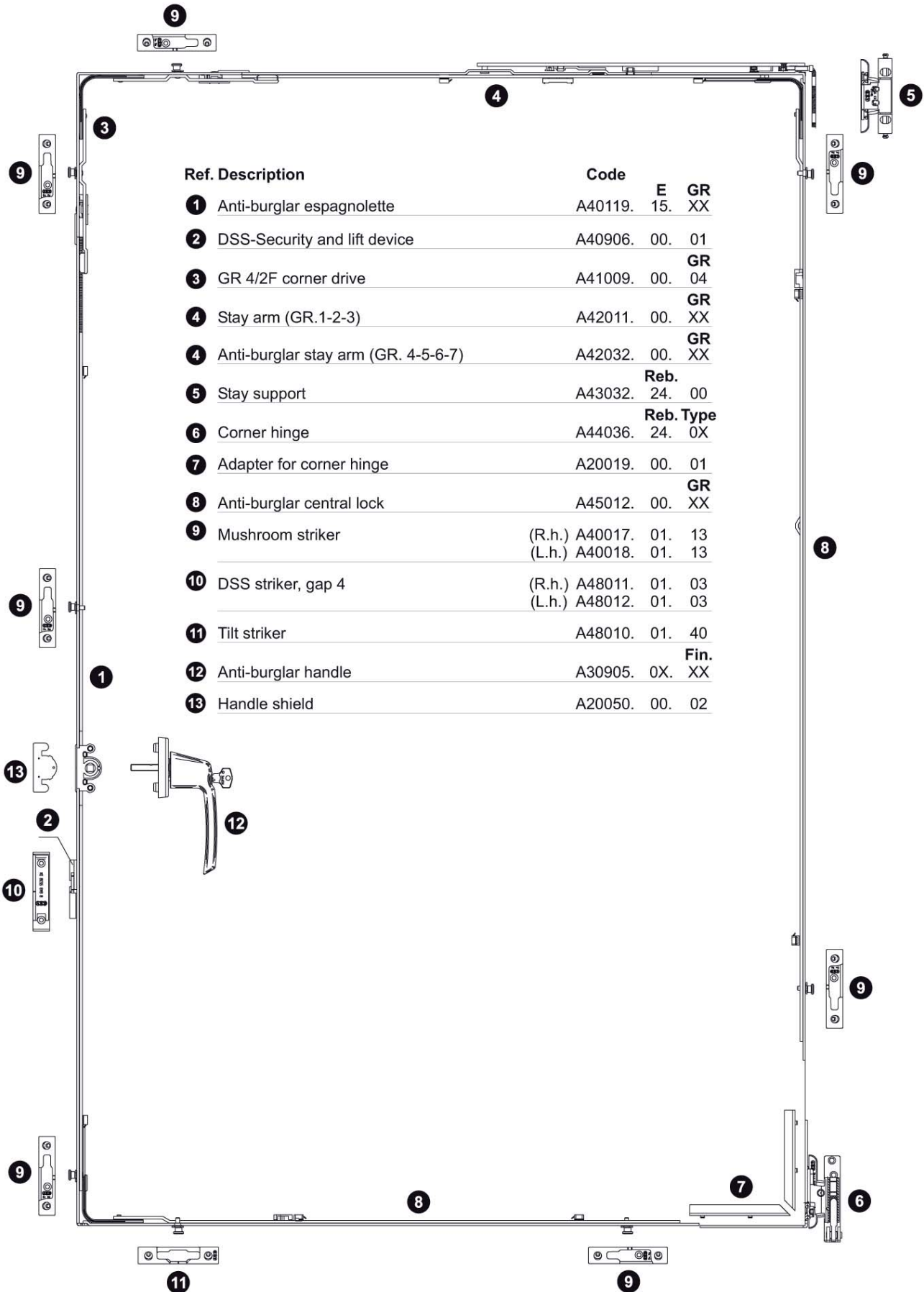


Second rebate shim

A20030.01.24	1	1
--------------	---	---



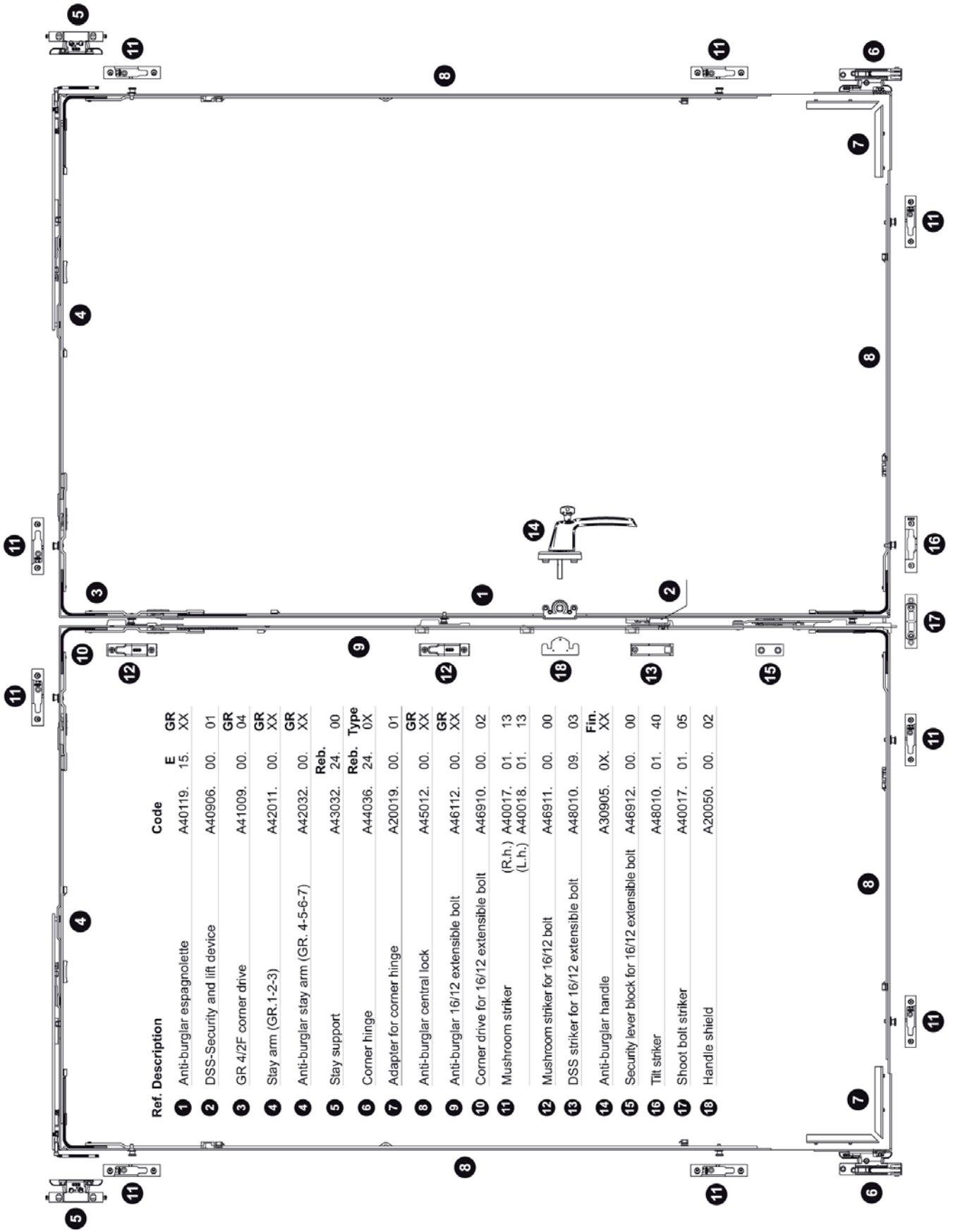
Anti-burglar - gap 4, 1 sash



Ref.	Description	Code	E	GR
1	Anti-burglar espagnolette	A40119.	15.	XX
2	DSS-Security and lift device	A40906.	00.	01
3	GR 4/2F corner drive	A41009.	00.	GR 04
4	Stay arm (GR.1-2-3)	A42011.	00.	GR XX
4	Anti-burglar stay arm (GR. 4-5-6-7)	A42032.	00.	GR XX
5	Stay support	A43032.	24.	Reb. 00
6	Corner hinge	A44036.	24.	Reb. Type 0X
7	Adapter for corner hinge	A20019.	00.	01
8	Anti-burglar central lock	A45012.	00.	GR XX
9	Mushroom striker	(R.h.) A40017.	01.	13
		(L.h.) A40018.	01.	13
10	DSS striker, gap 4	(R.h.) A48011.	01.	03
		(L.h.) A48012.	01.	03
11	Tilt striker	A48010.	01.	40
12	Anti-burglar handle	A30905.	0X.	Fin. XX
13	Handle shield	A20050.	00.	02



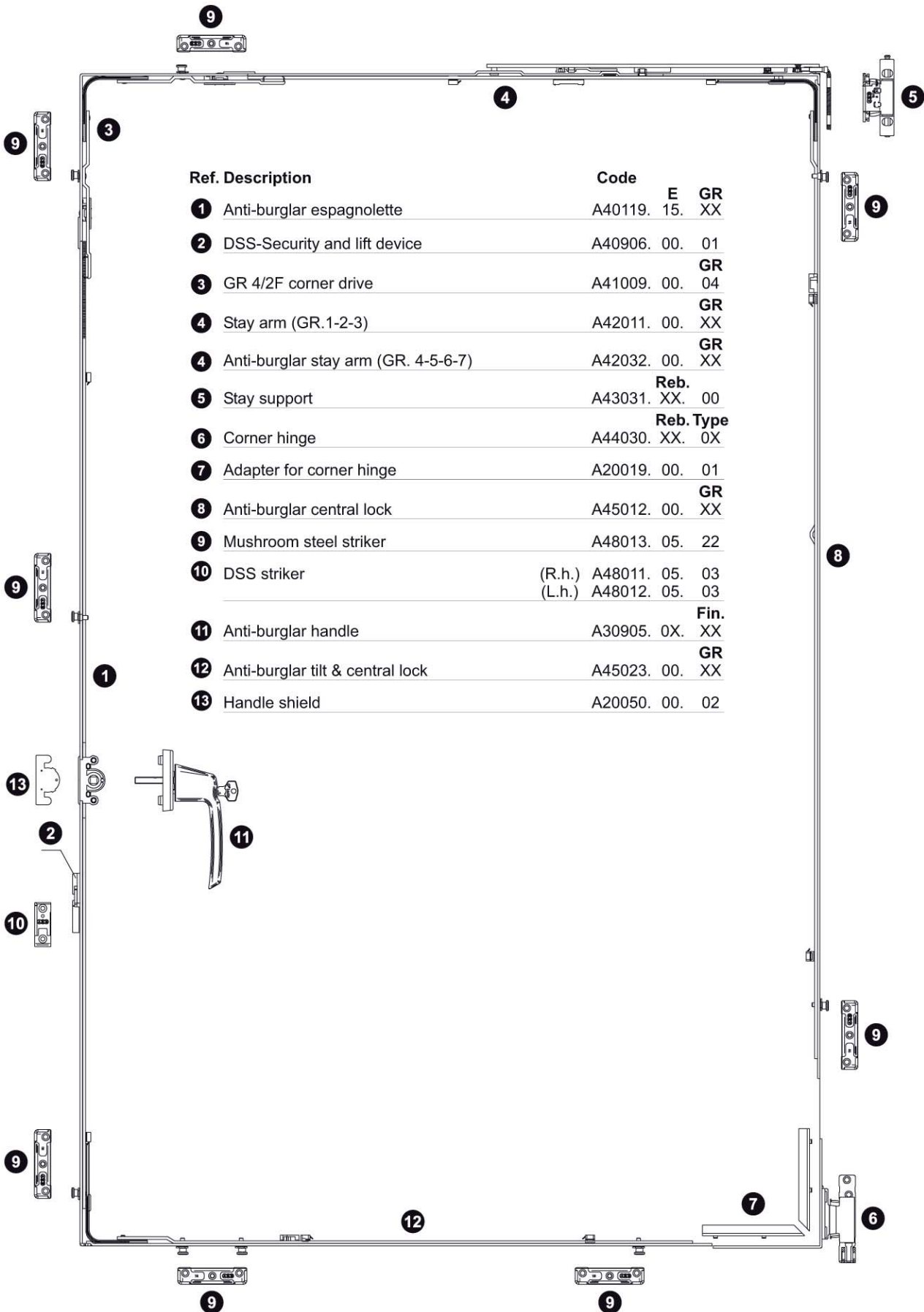
Anti-burglar - gap 4, 2 sashes



Ref. Description	Code	E	GR
1 Anti-burglar espagnolette	A40119.	15.	XX
2 DSS-Security and lift device	A40906.	00.	01
3 GR 4/2F corner drive	A41009.	00.	04
4 Stay arm (GR.1-2-3)	A42011.	00.	XX
4 Anti-burglar stay arm (GR. 4-5-6-7)	A42032.	00.	XX
5 Stay support	A43032.	24.	00
6 Corner hinge	A44036.	24.	0X
7 Adapter for corner hinge	A20019.	00.	01
8 Anti-burglar central lock	A45012.	00.	XX
9 Anti-burglar 16/12 extensible bolt	A46112.	00.	XX
10 Corner drive for 16/12 extensible bolt	A46910.	00.	02
11 Mushroom striker	(R.h.) A40017. 01. 13 (L.h.) A40018. 01. 13		
12 Mushroom striker for 16/12 bolt	A46911.	00.	00
13 DSS striker for 16/12 extensible bolt	A48010.	09.	03
14 Anti-burglar handle	A30905.	0X.	XX
15 Security lever block for 16/12 extensible bolt	A46912.	00.	00
16 Tilt striker	A48010.	01.	40
17 Shoot bolt striker	A40017.	01.	05
18 Handle shield	A20050.	00.	02



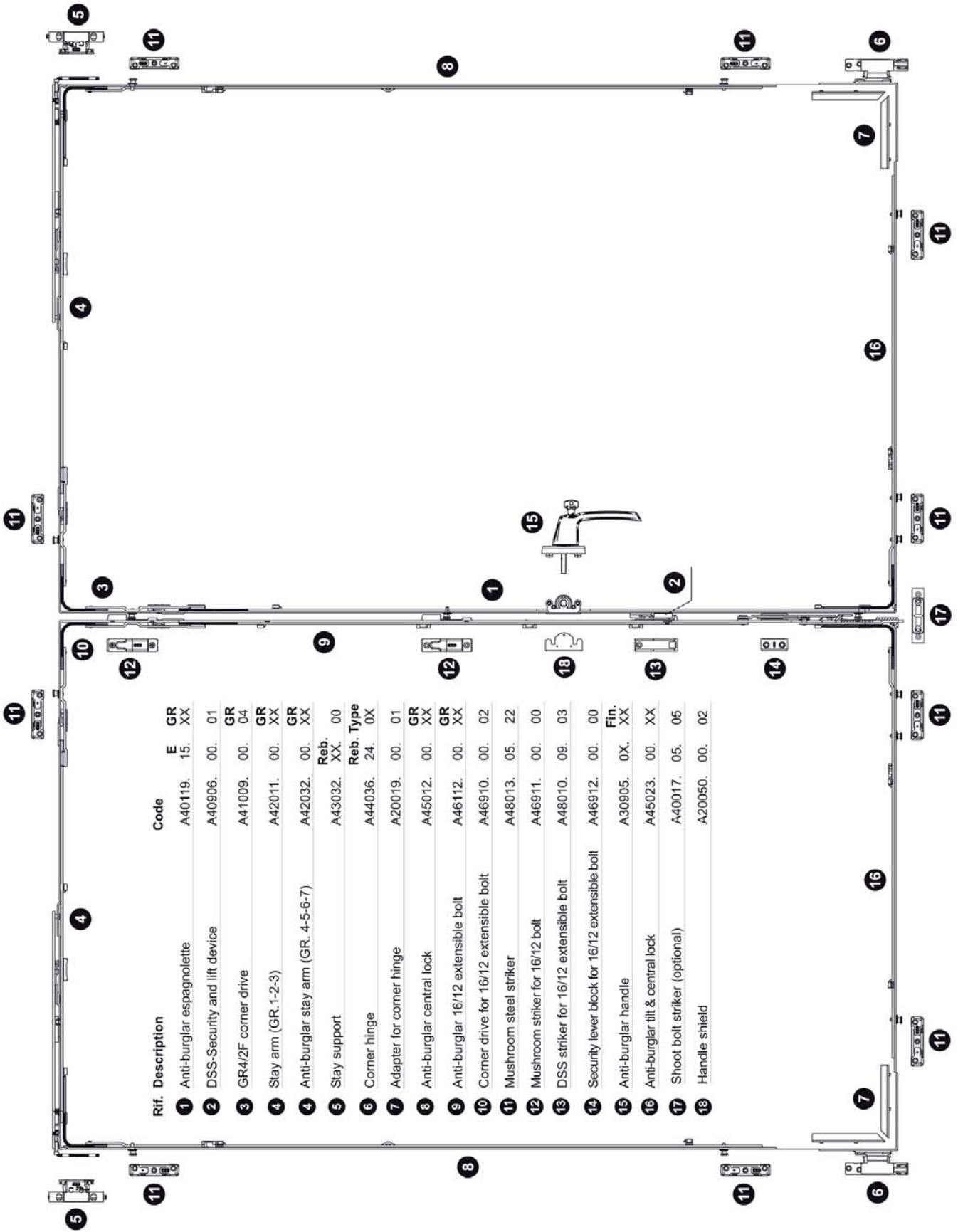
Anti-burglar - gap 12, 1 sash



Ref.	Description	Code	E	GR
1	Anti-burglar espagnolette	A40119.	15.	XX
2	DSS-Security and lift device	A40906.	00.	01
3	GR 4/2F corner drive	A41009.	00.	GR 04
4	Stay arm (GR.1-2-3)	A42011.	00.	XX
4	Anti-burglar stay arm (GR. 4-5-6-7)	A42032.	00.	GR XX
5	Stay support	A43031.	XX.	00
6	Corner hinge	A44030.	XX.	0X
7	Adapter for corner hinge	A20019.	00.	01
8	Anti-burglar central lock	A45012.	00.	GR XX
9	Mushroom steel striker	A48013.	05.	22
10	DSS striker	(R.h.) A48011. (L.h.) A48012.	05. 05.	03 03
11	Anti-burglar handle	A30905.	0X.	Fin. XX
12	Anti-burglar tilt & central lock	A45023.	00.	GR XX
13	Handle shield	A20050.	00.	02



Anti-burglar - gap 12, 2 sashes



Rif.	Description	Code	E	GR
1	Anti-burglar espagnolette	A40119.	15.	XX
2	DSS-Security and lift device	A40906.	00.	01
3	GR4/2F corner drive	A41009.	00.	04
4	Stay arm (GR.1-2-3)	A42011.	00.	XX
4	Anti-burglar stay arm (GR. 4-5-6-7)	A42032.	00.	XX
5	Stay support	A43032.	XX.	00
6	Corner hinge	A44036.	24.	0X
7	Adapter for corner hinge	A20019.	00.	01
8	Anti-burglar central lock	A45012.	00.	XX
9	Anti-burglar 16/12 extensible bolt	A46112.	00.	XX
10	Corner drive for 16/12 extensible bolt	A46910.	00.	02
11	Mushroom steel striker	A48013.	05.	22
12	Mushroom striker for 16/12 bolt	A46911.	00.	00
13	DSS striker for 16/12 extensible bolt	A48010.	09.	03
14	Security lever block for 16/12 extensible bolt	A46912.	00.	00
15	Anti-burglar handle	A30905.	0X.	XX
16	Anti-burglar tilt & central lock	A45023.	00.	XX
17	Shoot bolt striker (optional)	A40017.	05.	05
18	Handle shield	A20050.	00.	02



Anti-burglar Tilt & Turn



Anti-burglar Espagnolettes

	SRH	GR	Cam Handle						
Backset 15	370-550	0	1 170	A40119.15.00	10	10	8,715	F2	
	490-600	1	1 170	A40119.15.01	10	10	8,894	F2	
	600-800	2	1 280	A40119.15.02	10	10	9,050	F2	
	800-1000	3	2 400	A40119.15.03	10	10	9,979	F2	
	1000-1200	4	2 500	A40119.15.04	10	10	10,638	F2	
	1200-1400	5	2 500	A40119.15.05	10	10	11,349	F2	
	1400-1600	6	2 500	A40119.15.06	10	10	12,033	F2	
	1600-1800	7	2 500	A40119.15.07	10	10	13,475	F2	
	1800-2000	8	3 1050	A40119.15.08	10	10	14,800	F2	
	2000-2200	9	3 1050	A40119.15.09	10	10	15,966	F2	
2200-2400	10	3 1050	A40119.15.10	10	10	16,617	F2		



Anti-burglar Tilt & Turn



Anti-burglar Espagnolettes with tilt lock

	SRH	GR	Cam Handle						
Backset 15	1000-1200	4	1 500	A40113.15.04	10	10	13,911	F2	
	1200-1400	5	1 500	A40113.15.05	10	10	14,575	F2	
	1400-1600	6	1 500	A40113.15.06	10	10	15,142	F2	
	1600-1800	7	1 500	A40113.15.07	10	10	16,751	F2	
	1800-2000	8	2 1050	A40113.15.08	5	5	18,334	F2	
	2000-2200	9	2 1050	A40113.15.09	5	5	19,659	F2	
	2200-2400	10	2 1050	A40113.15.10	5	5	21,220	F2	



Anti-burglar Tilt & Turn

Anti-burglar Espagnolettes with cylinder

	SRH	GR	Cam Handle				
Backset 40	1800-2000	8	3 1050	A40121.40.08		10	10
	2000-2200	9	3 1050	A40121.40.09		10	10
	2200-2400	10	3 1050	A40121.40.10		10	10





Anti-burglar Tilt & Turn



Anti-burglar handles

ALUMINIUM

Light Bronze Plated	A30905.03.14	1	10
Champagne	A30905.03.17	1	10
Gilded	A30905.03.31	1	10
White RAL 9010	A30905.03.91	1	10

NB: accomplish to the European regulation ENV 1627+30:2000



Extensions with mushroom cam, 16+16 stroke

	L	Cam			
GR 2	400	1	A40909.00.02	20	20
GR 3	600	1	A40909.00.03	20	20



Terminal with mushroom cam

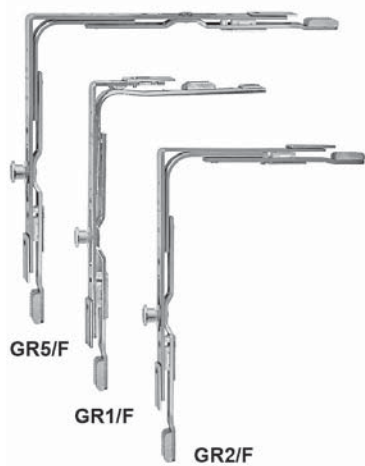
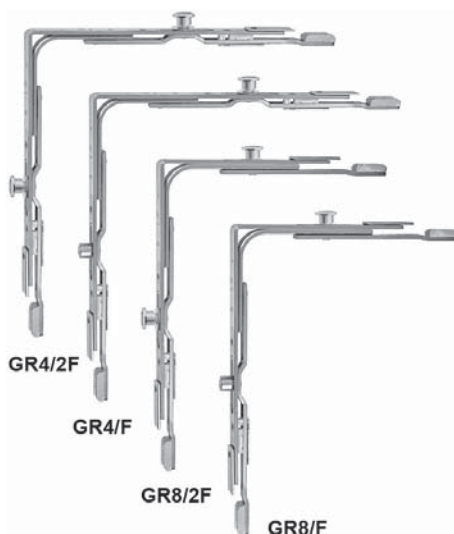
	Cam			
with 16+16 mm stroke	1	A40901.00.01	20	20
with 16 mm stroke	1	A40901.00.03	20	20



Anti-burglar Tilt & Turn

Anti-burglar corner drives for rectangular windows

	SRW	SRH		Cam			
GR 1/F	280-410	435-2400	1/2 SASHES	1	A41020.00.01	20	20
GR 2/F	410-1660	350-1600	1/2 SASHES	1	A41009.00.02	20	20
GR 4/2F	410-1660	435-2400	1/2 SASH	2	A41009.00.04	20	20
GR 4/F	410-1660	435-2400	2 SASHES	2	A41009.00.11	20	20
GR 5/F	410-1660	435-2400	1/2 SASHES	1	A46910.00.02	20	20
GR 8/2F	350-1600	435-2400	1/2 SASH	2	A41009.00.08	20	20
GR 8/F	350-1600	435-2400	2 SASHES	2	A41009.00.10	20	20
GR 5/F	410-1660	435-2400	1/2 SASHES	1	A46910.00.03	20	20



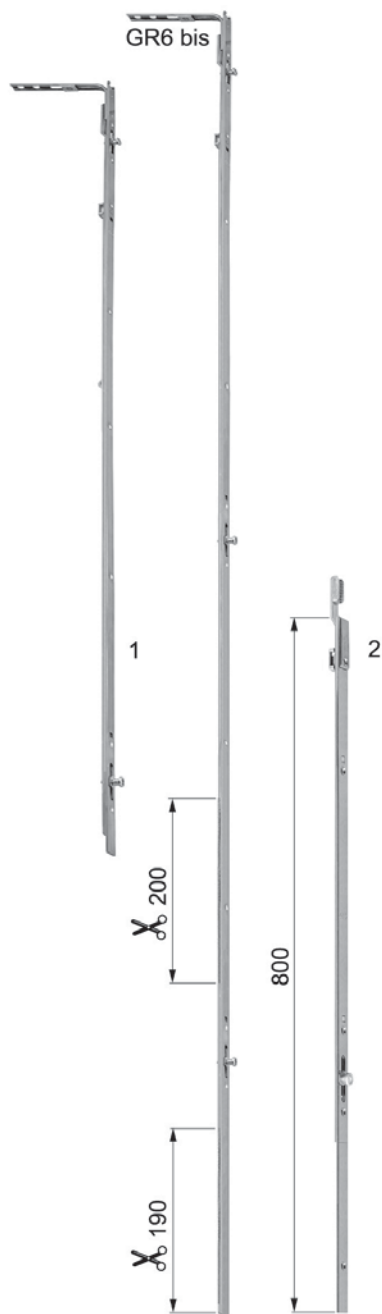


Anti-burglar Tilt & Turn



Anti-burglar - Stay arm

SRW		Cam			
800-1000	GR 4	1	A42032.00.04	10	10
1000-1200	GR 5	1	A42032.00.05	10	10
1200-1400	GR 6	1	A42032.00.06	10	10
1400-1600	GR 7	1	A42032.00.07	10	10



Anti-burglar central locks

1	SRH		Cam		
	285-550	GR 1	1	A45012.00.01	10 10
	551-800	GR 2	2	A45012.00.02	10 10
	801-1000	GR 3	2	A45012.00.03	10 10
	1001-1200	GR 4	2	A45012.00.04	10 10
	1201-1400	GR 5	2	A45012.00.05	10 10
	1401-2050	GR 6	3	A45012.00.06	10 10
	2051-2400	GR 6bis*	3	A45013.00.06	10 10

*In order to cover the application field indicated, use terminal element A40901.00.02

NB: for the application ranges according to EN1627 regulation please refer to technical catalog

Extension with mushroom cam

2	Cam			
	1	A40901.00.02	20	20

Anti-burglar Tilt & central lock



SRW		Cam			
325-550	GR 1	1	A45023.00.01	10	10
325-550*	GR 1	1	A45023.00.11	10	10
551-800	GR 2	2	A45023.00.02	10	10
801-1000	GR 3	2	A45023.00.03	10	10
1001-1200	GR 4	2	A45023.00.04	10	10
1201-1400	GR 5	2	A45023.00.05	10	10
1401-1600	GR 6	2	A45023.00.06	10	10

* Non telescopic mushroom cams



Anti-burglar Tilt & Turn

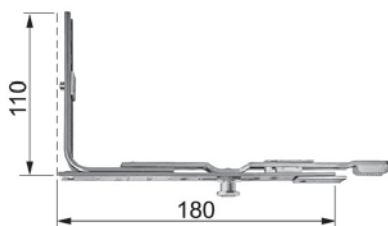


Anti-burglar corner drives for arched and angled windows

1	SRW	SRH	Cam			
GR 3/F	811-1030	911-1130	1	A41220.00.03	10	10
GR 4/F	1031-1250	1131-1350	1	A41220.00.04	10	10

Lifting wedge and screw

2			
	A31901.00.00	20	20

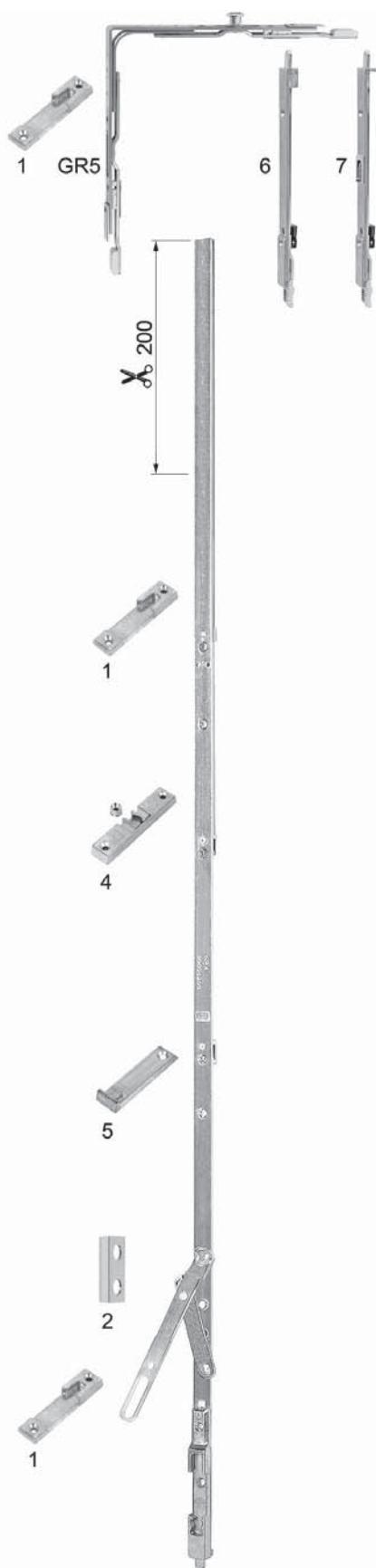


Anti-burglar connecting drive

	Cam		
GR 2/F	1	A40057.00.02	5 5



Anti-burglar Tilt & Turn



Anti-burglar extensible bolt for 16/12 eurogroove

SRH	GR	Cam			
600-800	2		A46112.00.02	20	20
801-1000	3	1	A46112.00.03	20	20
1001-1200	4	1	A46112.00.04	20	20
1201-1400	5	1	A46112.00.05	20	20
1401-1600	6	1	A46112.00.06	20	20
1601-1800	7	1	A46112.00.07	20	20
1901-2000	8	2	A46112.00.08	10	10
2001-2200	9	2	A46112.00.09	10	10
2201-2400	10	2	A46112.00.10	10	10

Mushroom striker for 16/12 anti-burglar bolt

1			
	A46911.00.00	50	500

Security lever block for 16/12 anti-burglar bolt

2			
	A46912.00.00	20	200

Anti-burglar corner drive for 16/12 extensible bolt

3	SRW	SRH	Cam			
GR 5/F	410-1660	435-2400	1/2	1	A46910.00.02	20 20

Sash catcher for 16/12 extensible bolt

4					
gap 11/12	18X84X9,5	Flat base	A40017.06.18	50	300

DSS striker for 16/12 extensible bolt

5				
	18X64X8		A48010.09.03	50 500

Shoot bolt

6					
11 mm throw	Length 180		A40487.00.01	20	200
	Length 120		A40487.00.02	20	200

Shoot bolt with cam striker

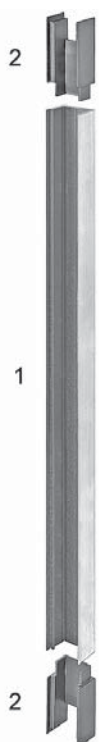
7				
11 mm throw			A40035.00.01	20 20

Extension for 16/12 bolt with cam striker

8				
Lenght 400			A46906.00.02	20 20



Anti-burglar Tilt & Turn



16/12 eurogroove aluminium profile - plain

1	L			
	1500	A36901.01.00	10	10
	3000	A36901.02.00	10	10
	6000	A36901.03.00	10	10

Cap for 16/12 eurogroove aluminium profile - grey

2				
		A36907.00.97	50	50

16/12 eurogroove aluminium profile - bronze plated

1	L			
	1500	A36901.01.14	10	10
	3000	A36901.02.14	10	10
	6000	A36901.03.14	10	10

Cap for 16/12 eurogroove aluminium profile - bronze plated

2				
		A36907.00.14	50	50



Concealed beak, gap 4

		A44806.01.00	20	20
--	--	--------------	----	----

Concealed beak, gap 11

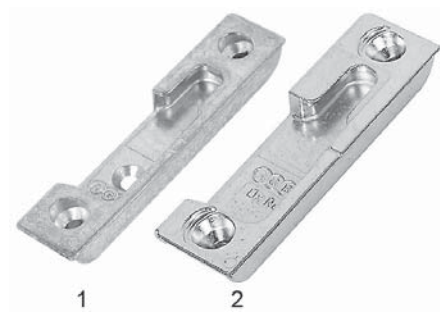
8 + 6		A44806.03.00	20	20
-------	--	--------------	----	----

Concealed beak, gap 12

		A44806.05.00	20	20
--	--	--------------	----	----



Anti-burglar strikers



Mushroom striker, gap 4

ZAMAK

1	rh	18X82x8	A40017.01.13	50	500
	lh	18X82x8	A40018.01.13	50	500
2	rh axis 13	23X82X8	A48011.DC.13	50	500
	lh axis 13	23X82X8	A48012.DC.13	50	500



Tilt striker, gap 4

ZAMAK

A48010.01.40 20 200

To be used with fasteners A45012.00.xx on lower traverse for tilt movement



Mushroom striker, gap 11

ZAMAK

8+6 groove	A40017.03.13	50	500
8+7 groove	A40017.04.13	50	500



Mushroom striker, gap 12

1 axis 9	A48013.05.22	50	250
2 axis 13	A48010.CR.13	50	300



Mushroom striker, PVC

STEEL

A48013.xx.22 50 500



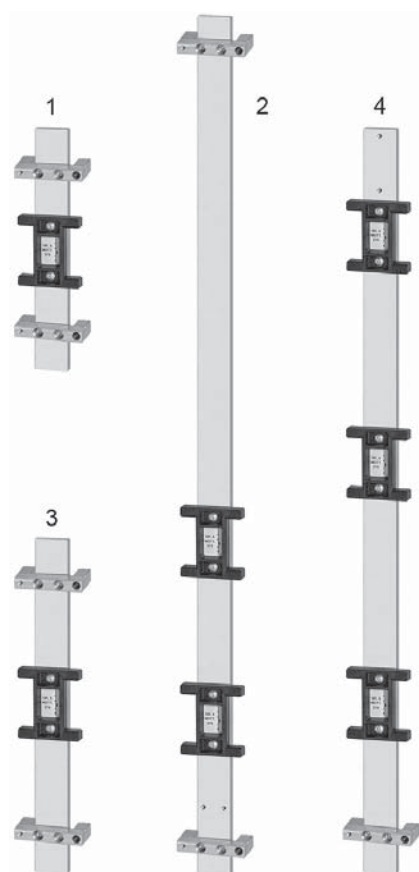
Mushroom striker 16/12

ZAMAK

A48013.19.22 50 250



Jigs - Anti-burglar



Espagnolettes jigs

1				
370-800	A39304.06.00		1	1
800-1800	A39304.06.01		1	1
1800-2400	A39304.06.02		1	1

Anti-burglar Tilt & central lock jigs

2				
285-550	A39306.06.00		1	1
550-1400	A39305.06.02		1	1
1400-1600	A39305.06.01		1	1

Anti-burglar central lock jigs

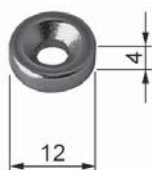
3				
285-550	A39306.06.00		1	1
550-1400	A39306.06.02		1	1
1400-1600	A39306.06.01		1	1

Stay arm jig

4				
800-1600	A39308.06.01		1	1



Magnétique: magnetic contacts for control and alarm systems



Magnets

SURFACE MOUNTED MAGNET WITH SCREW HOLE

ø 12x4	Black cataph.	A39406.10.00	10	10
--------	---------------	--------------	----	----



Magnets

EMBEDDED SENSOR IN BRASS BODY

ø 8x25	Nickel plated	A39406.10.01	10	10
--------	---------------	--------------	----	----

NB: drill with ø 8,1 pin



Antisabotage magnetic contact - 3 m cable

56x16x5	White RAL 9010	A39406.14.91	1	10
	Brown	A39406.14.94	1	10

**Attention! Only for alarm systems
for different use please contact AGB staff**

Working distance	max 12 mm
Approvals	IMQ alarms 1 st level (CEI 79-2:1998 and CEI 79-2; Ab:2000)
Box protection	IP 34
Commutable max tension	V = 200 V DC
Commutable max current	I = 500 mA DC
Commutable max power	10 VA
Contact starting resistance	R = 0,1Ω
Insulating resistance	R = 10 ¹² Ω
Working temperature	+ 5° C / + 40° C
MTBF no. of operations	10 ⁸



Magnétique: magnetic contacts for control and alarm systems

HD Sensor - for air-conditioning control

FLAT SURFACE MOUNTED SENSOR ON PLASTIC BOX

60x16x5	3 m cable	White RAL 9010	A39406.17.91	1	10
		Brown	A39406.17.94	1	10



Working distance	20 mm on free air
Box protection	IP 34
Commutable max tension	V = 265 V CA - 250 V CC
Commutable max current	I = 1000 mA CA/CC
Commutable max power	50 W
Contact starting resistance	R = 0,1Ω
Insulating resistance	R = 10 ¹² Ω
Working temperature	- 20° C / + 125° C
MTBF no. of operations	10 ⁸

Sensor

FLAT SURFACE MOUNTED SENSOR ON PLASTIC BOX

60x16x5	3 m cable	White RAL 9010	A39406.12.91	10	10
		Brown	A39406.12.94	10	10
60x16x5	10 m cable	White RAL 9010	A39406.15.91	5	50
		Brown	A39406.15.94	5	50

Attention! Only for alarm systems
for different use please contact AGB staff



Working distance	20 mm on free air
Approvals	IMQ alarms 1 st level (CEI 79-2:1998 and CEI 79-2; Ab:2000)
Box protection	IP 34
Commutable max tension	V = 200 V DC
Commutable max current	I = 500 mA DC
Commutable max power	10 VA
Contact starting resistance	R = 0,1Ω
Insulating resistance	R = 10 ¹² Ω
Working temperature	+ 5° C / + 40° C
MTBF no. of operations	10 ⁸



Magnétique: magnetic contacts for control and alarm systems



Sensor

EMBEDDED SENSOR ON BRASS BODY

ø 8x25 Nickel plated A39406.11.00 10 10

NB: drill with ø 8,1 pin

Attention! Only for alarm systems

for different use please contact AGB staff

Working distance	20 mm on free air
Approvals	IMQ alarms 1 st level (CEI 79-2:1998 and CEI 79-2; Ab:2000)
Commutable max tension	V = 200 V DC
Commutable max current	I = 500 mA DC
Commutable max power	10 VA
Contact starting resistance	R = 0,1Ω
Insulating resistance	R = 10 ¹² Ω
Working temperature	- 40° C / + 125° C
MTBF no. of operations	10 ⁸

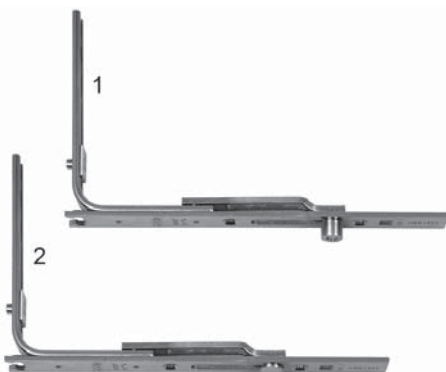
Corner lock with standard magnetic cam

1 WITH STANDARD CAM

ø 10x8 GR1 A45015.00.01 1 10

2 WITH FLAT CAM FOR ALU SILL

GR1 A45015.00.02 1 10



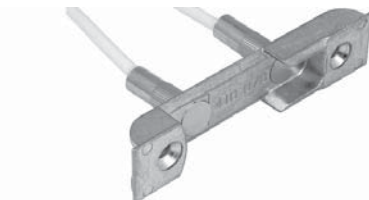
Cam striker with double sensor - gap 4 - 3 m cable

18x82x8 A48010.01.45 1 10

NB: drill with ø 8,1 pin

Attention! Only for alarm systems

for different use please contact AGB staff



Cam striker with double sensor - gap 12 - 3 m cable

18x82x8 A48010.06.45 1 10

NB: drill with ø 8,1 pin

Attention! Only for alarm systems

for different use please contact AGB staff





Magnétique: magnetic contacts for control and alarm systems



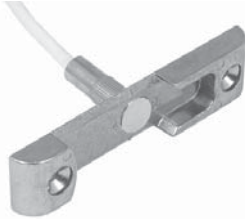
Cam striker with single sensor - gap 4 - 3 m cable

18x82x8	A48010.01.46	1	10
---------	--------------	---	----

NB: drill with $\varnothing 8,1$ pin

Attention! Only for alarm systems

for different use please contact AGB staff



Cam striker with single sensor - gap 12 - 3 m cable

18x82x8	A48010.06.46	1	10
---------	--------------	---	----

NB: drill with $\varnothing 8,1$ pin

Attention! Only for alarm systems

for different use please contact AGB staff

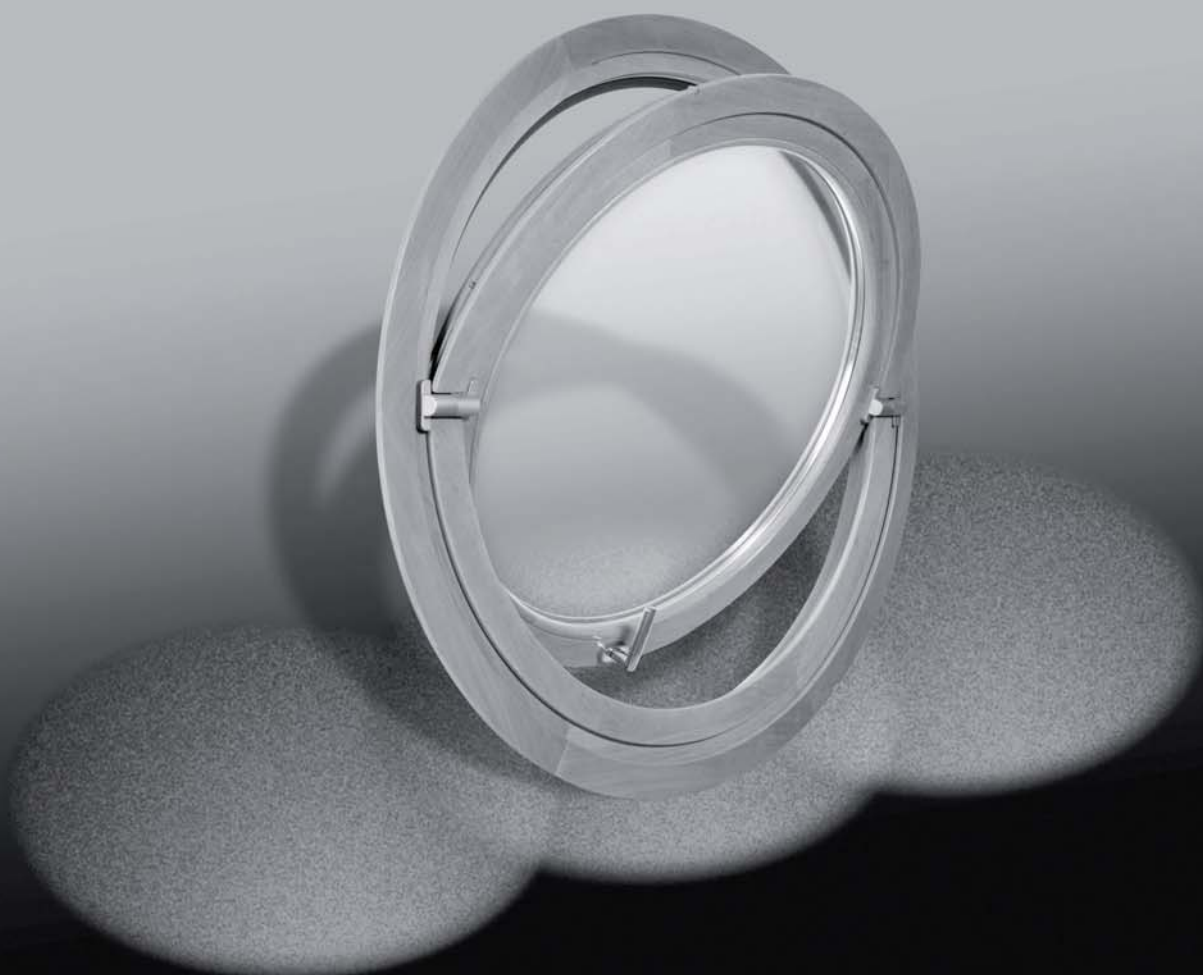
Working distance	20 mm on free air
Approvals	IMQ alarms 1 st level (CEI 79-2:1998 and CEI 79-2; Ab:2000)
Commutable max tension	V = 200 V DC
Commutable max current	I = 500 mA DC
Commutable max power	10 VA
Contact starting resistance	R = 0,1 Ω
Insulating resistance	R = 10 ¹² Ω
Working temperature	- 40° C / + 125° C
MTBF no. of operations	10 ⁸



Jig for housing holes of reeds

A39312.00.00	1	1
--------------	---	---

HARDWARE FOR PIVOT WINDOWS



Hardware for Pivoting Windows

Rectangular Pivot TOUR - General layout hardware on 4 sides	pag.	340
Rectangular Pivot TOUR - General layout hardware on 3 sides	pag.	341
Rectangular Pivot TOUR - General layout of the building types	pag.	342
Rectangular Pivot TOUR-30, listel 30 axis 15 - layout 1	pag.	343
Rectangular Pivot Vivaldi pre-milled	pag.	344
Rectangular Pivot TOUR-30, listel 30 axis 15 - layout 2	pag.	345
Rectangular Pivot TOUR-35, listel 35 axis 17,5 - layout 3	pag.	346
Rectangular Pivot TOUR-35, listel 35 axis 20 - layout 4	pag.	347
Rectangular Pivot TOUR-35, listel 40 axis 20 - layout 5	pag.	348

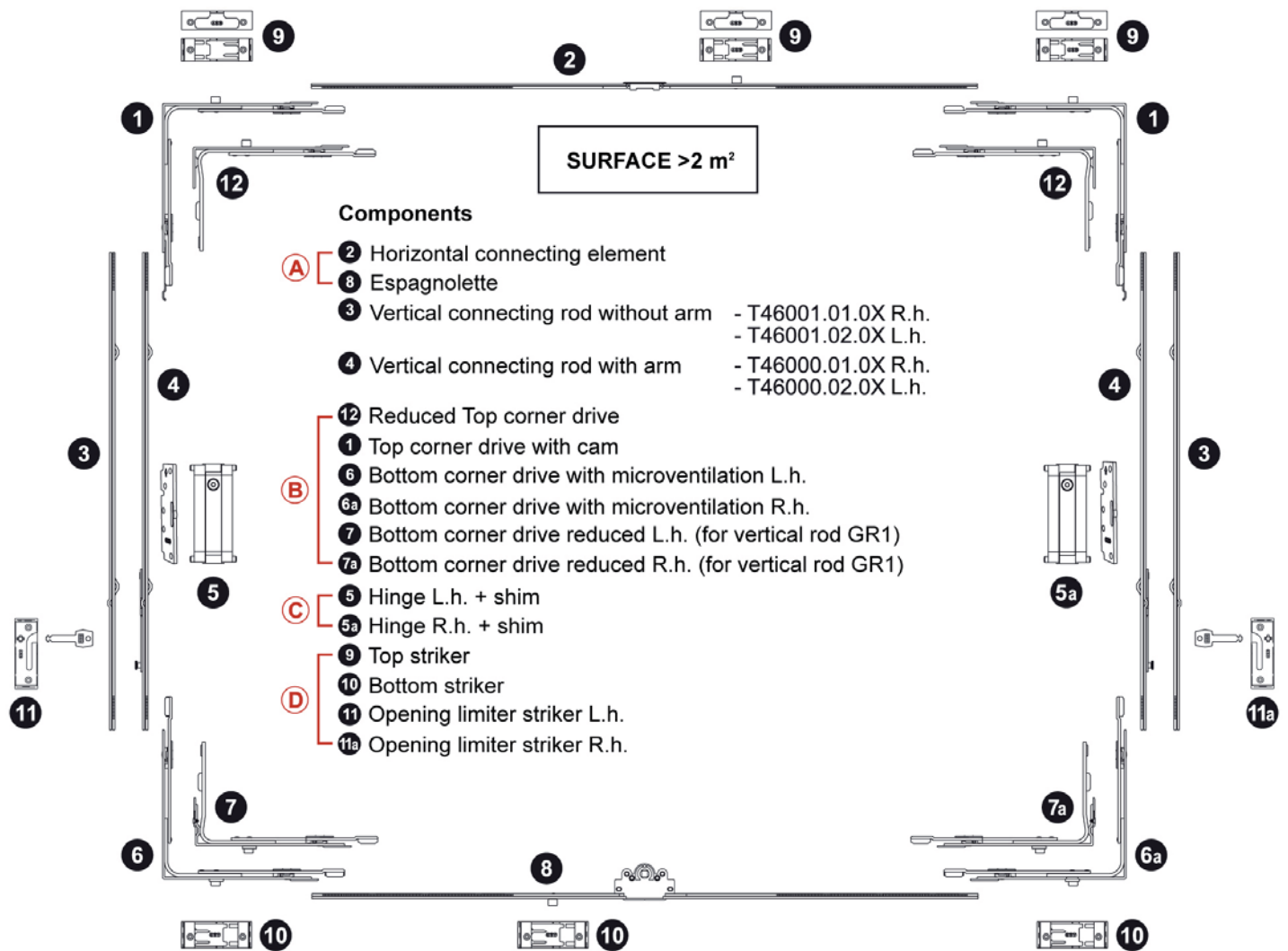
TOUR Components	pag.	349
TOUR Strikers - Components for strikers kits	pag.	353
TOUR Strikers	pag.	354
TOUR Jigs	pag.	355

Round Pivot TOUR-R, general layout	pag.	356
Round Pivot TOUR-R, gap 12	pag.	357
Round Pivot TOUR-R, gap 4	pag.	358

TOUR R Components	pag.	359
TOUR R Strikers	pag.	362
TOUR R Jigs	pag.	362



Rectangular Pivot TOUR - General layout hardware on 4 sides



(A) Horizontal element kit

T47501.00.01 - SRW = 530-650
 T47501.00.02 - SRW = 640-800
 T47501.00.03 - SRW = 801-1200
 T47501.00.04 - SRW = 1201-1600
 T47501.00.05 - SRW = 1601-2000
 T47501.00.06 - SRW = 2001-2400

(B) Corner drives kit

T48100.04.00 - SRH>600<800
 T48101.04.00 - SRH>801<1000
 T48102.04.00 - SRH>1001

(C) Hinges kits

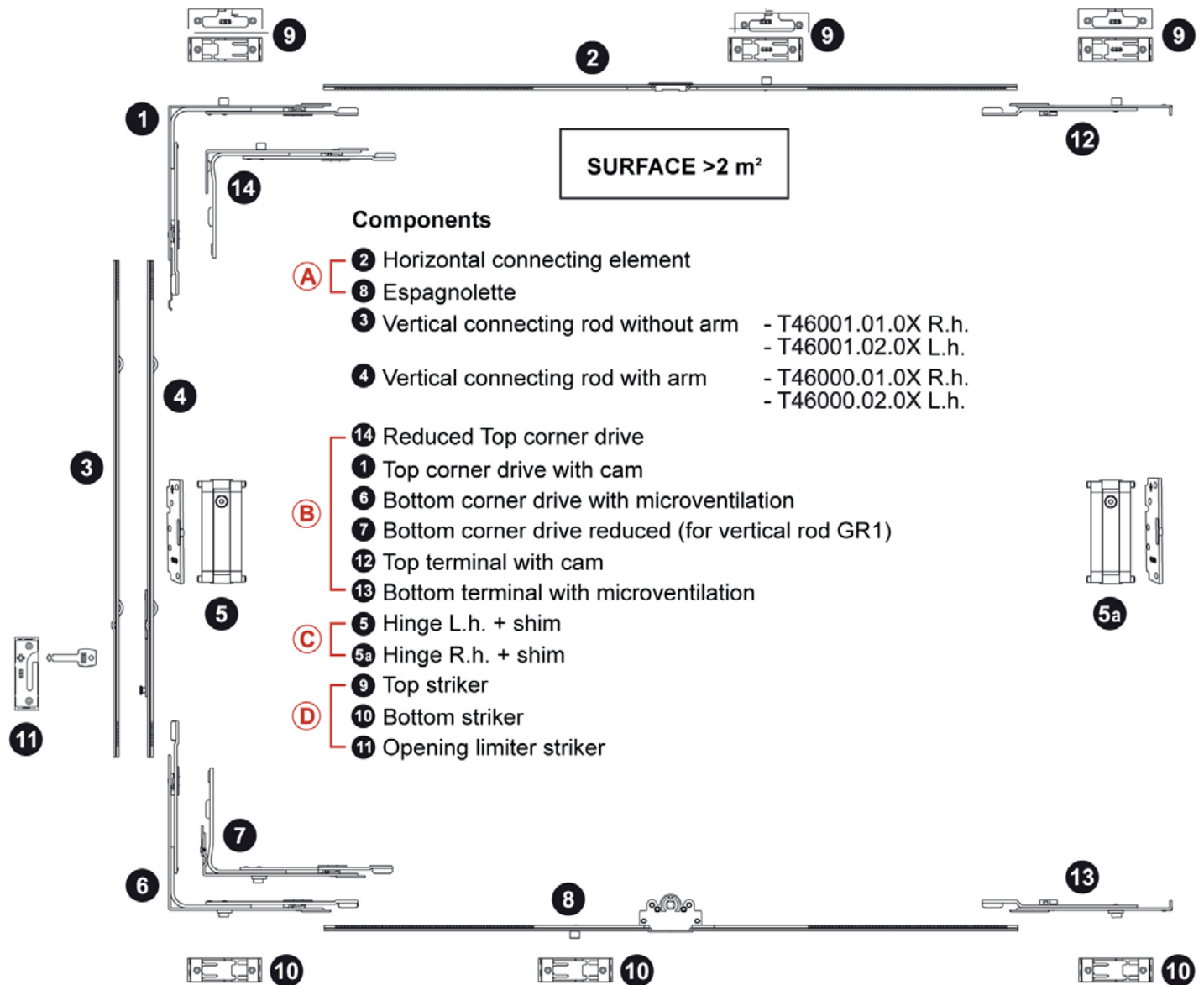
T17800.30.XX - Tour 30, 200 Kg
 T17800.35.XX - Tour 35, 200 Kg
 T17800.40.XX - Tour 40, 300 Kg

(D) Strikers kits

T47702.01.XX - Tour 30, 200 Kg - Layout 1
 T47702.02.XX - Tour 30, 200 Kg - Layout 2
 T47702.03.XX - Tour 35, 200 Kg - Layout 3
 T47702.04.XX - Tour 35, 200 Kg - Layout 4
 T47702.05.XX - Tour 40, 300 Kg - Layout 5



Rectangular Pivot TOUR - General layout hardware on 3 sides



A Horizontal element kit

T47501.00.01 - SRW = 530-650
 T47501.00.02 - SRW = 640-800
 T47501.00.03 - SRW = 801-1200
 T47501.00.04 - SRW = 1201-1600
 T47501.00.05 - SRW = 1601-2000
 T47501.00.06 - SRW = 2001-2400

B Corner drives kit

T48100.03.00 - SRH>600<800
 T48101.03.00 - SRH>801<1000
 T48102.03.00 - SRH>1001

C Hinges kits

































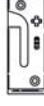


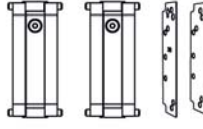
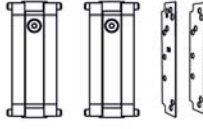
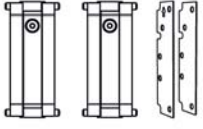
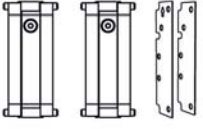
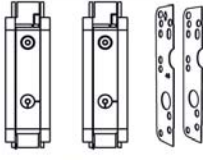
T17800.30.XX - Tour 30, 200 Kg
 T17800.35.XX - Tour 35, 200 Kg
 T17800.40.XX - Tour 40, 300 Kg

D Strikers kits

T47701.01.XX - Tour 30, 200 Kg - Layout 1
 T47701.02.XX - Tour 30, 200 Kg - Layout 2
 T47701.03.XX - Tour 35, 200 Kg - Layout 3
 T47701.04.XX - Tour 35, 200 Kg - Layout 4
 T47701.05.XX - Tour 40, 300 Kg - Layout 5

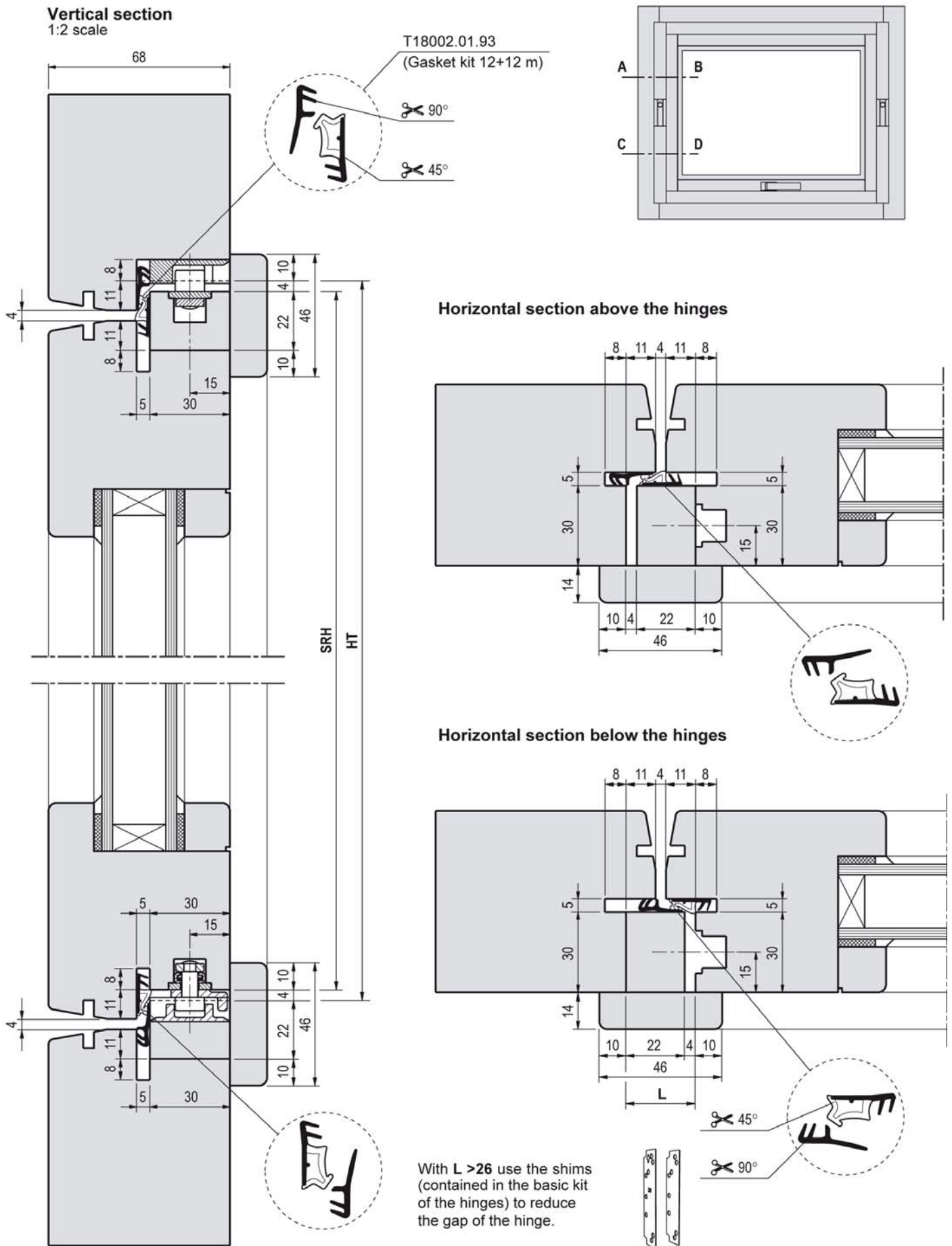


Rectangular Pivot TOUR - General layout of the building types

	TOUR-30 Layout 1 30 rod, axis 15		TOUR-30 Layout 2 30 rod, axis 15		TOUR-30 Layout 3 35 rod, axis 17,5		TOUR-30 Layout 4 35 rod, axis 20		TOUR-30 Layout 5 40 rod, axis 20	
Strikers kits	Surface < 2 m ²	Surface > 2 m ²	Surface < 2 m ²	Surface > 2 m ²	Surface < 2 m ²	Surface > 2 m ²	Surface < 2 m ²	Surface > 2 m ²	Surface < 2 m ²	Surface > 2 m ²
	T47701.01.00	T47702.01.00	T47701.02.00	T47702.02.00	T47701.03.00	T47702.03.00	T47701.04.00	T47702.04.00	T47701.05.00	T47702.05.00
Top Strikers	 x 3 T44030.15.02	 x 4 T44030.15.02	 x 3 T44025.15.01	 x 4 T44025.15.01	 x 3 T44035.17.02	 x 4 T44035.17.02	 x 3 T44030.20.01	 x 4 T44030.20.01	 x 3 T44030.20.01	 x 4 T44030.20.01
Bottom Strikers	 x 3 T44030.15.02	 x 4 T44030.15.02	 x 3 T44035.15.02	 x 4 T44035.15.02	 x 3 T44035.17.02	 x 4 T44035.17.02	 x 3 T44040.20.02	 x 4 T44040.20.02	 x 3 T44045.20.02	 x 4 T44045.20.02
Limiter Strikers	 x 1 T44130.15.04 Sx	 x 1 T44130.15.04 Sx	 x 1 T44130.15.04 Sx	 x 1 T44130.15.04 Sx	 x 1 T44135.20.04 Sx	 x 1 T44135.20.04 Sx	 x 1 T44135.20.04 Sx	 x 1 T44135.20.04 Sx	 x 1 T44140.20.04 Sx	 x 1 T44140.20.04 Sx
		 x 1 T44130.15.03 Dx		 x 1 T44130.15.03 Dx		 x 1 T44135.20.03 Dx		 x 1 T44135.20.03 Dx		 x 1 T44140.20.03 Dx
Hinges Kits	 T17800.30.XX		 T17800.30.XX		 T17800.35.XX		 T17800.35.XX		 T17800.40.XX	

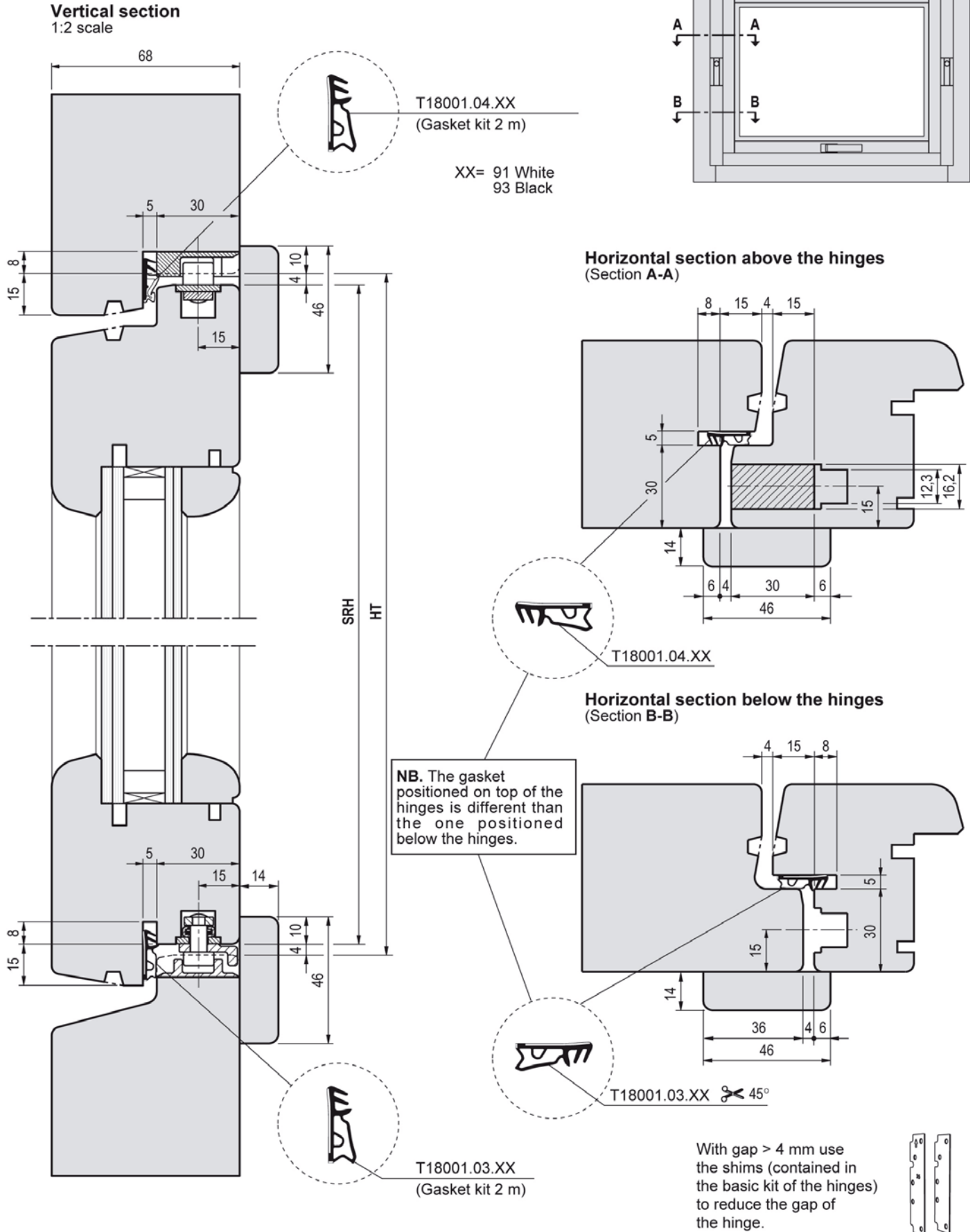


Rectangular Pivot TOUR-30, listel 30 axis 15 - layout 1



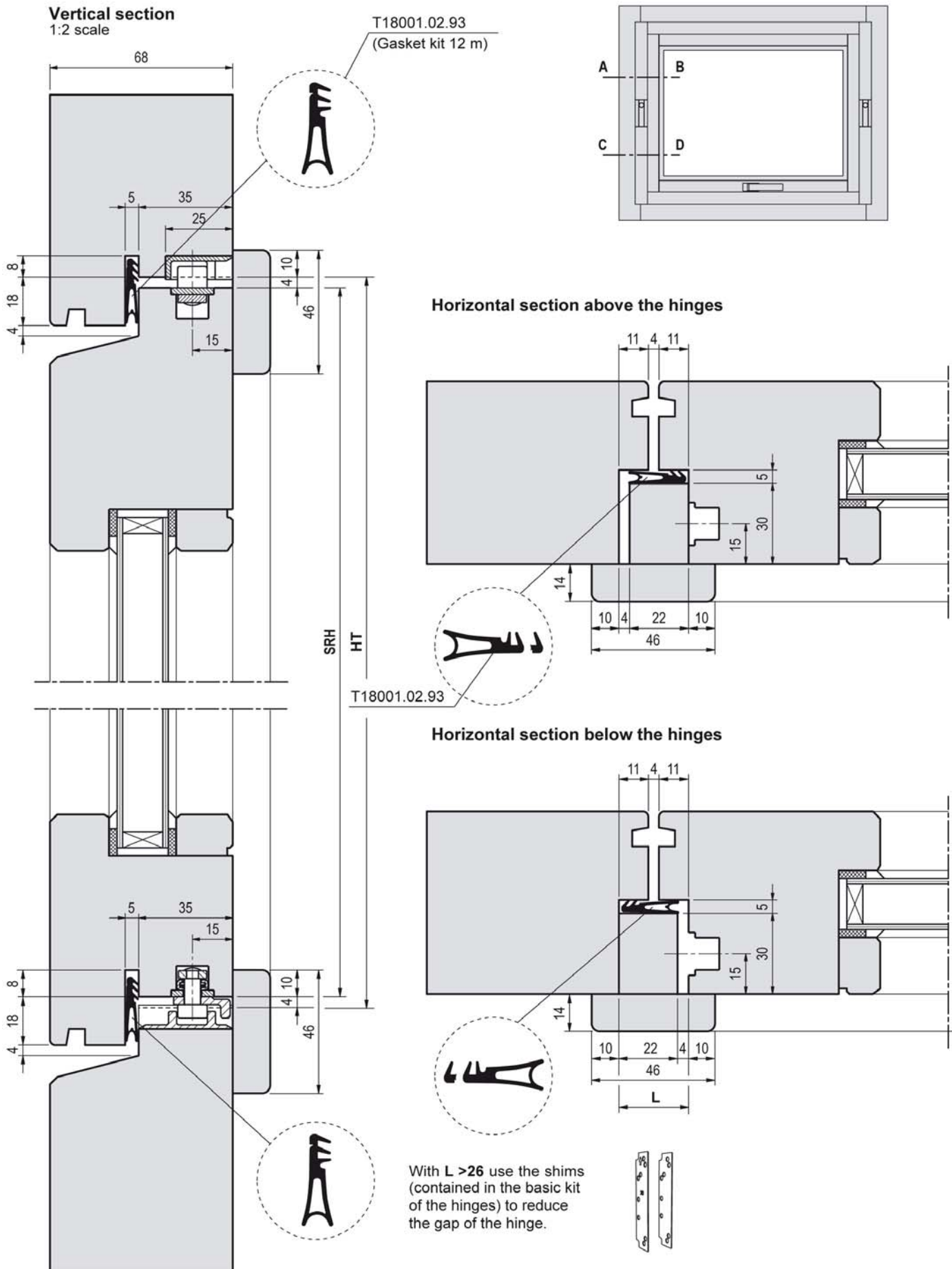


Rectangular Pivot Vivaldi pre-milled



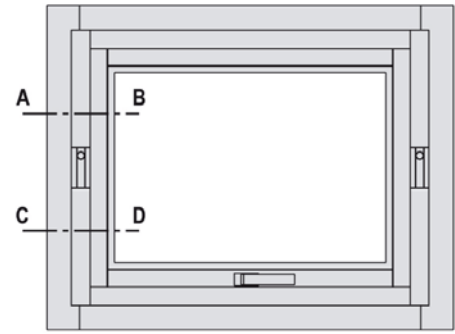
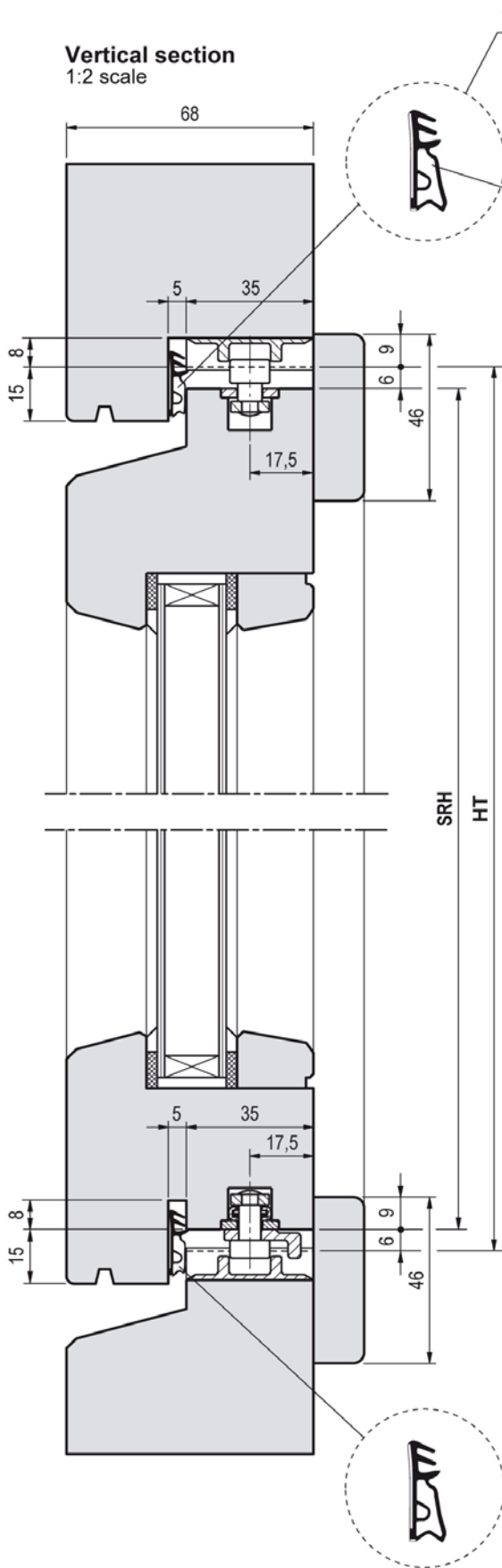


Rectangular Pivot TOUR-30, listel 30 axis 15 - layout 2

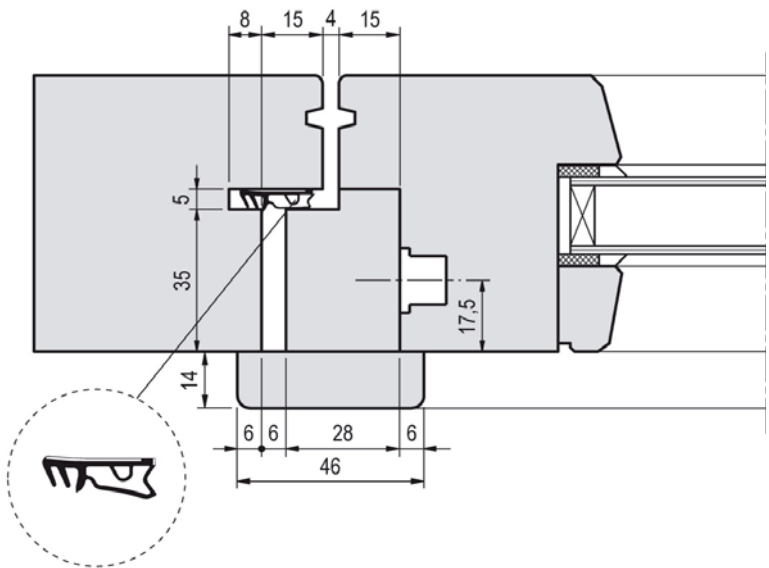




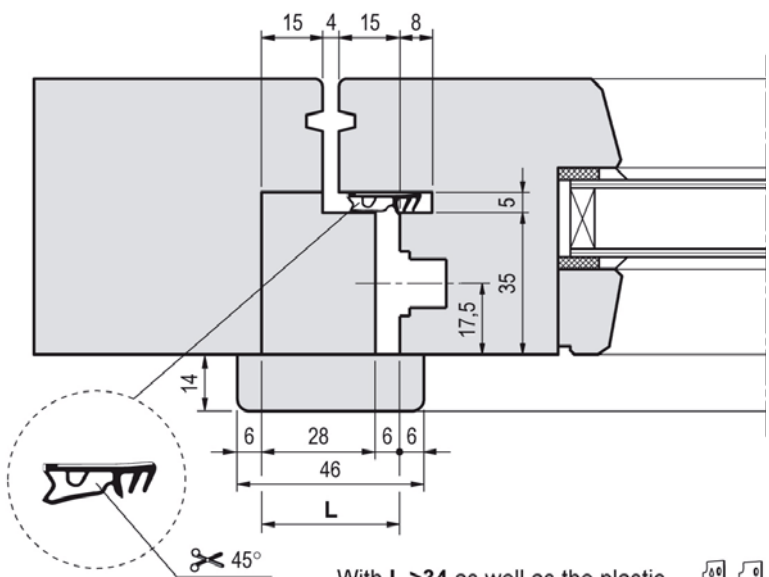
Rectangular Pivot TOUR-35, listel 35 axis 17,5 - layout 3



Horizontal section above the hinges



Horizontal section below the hinges

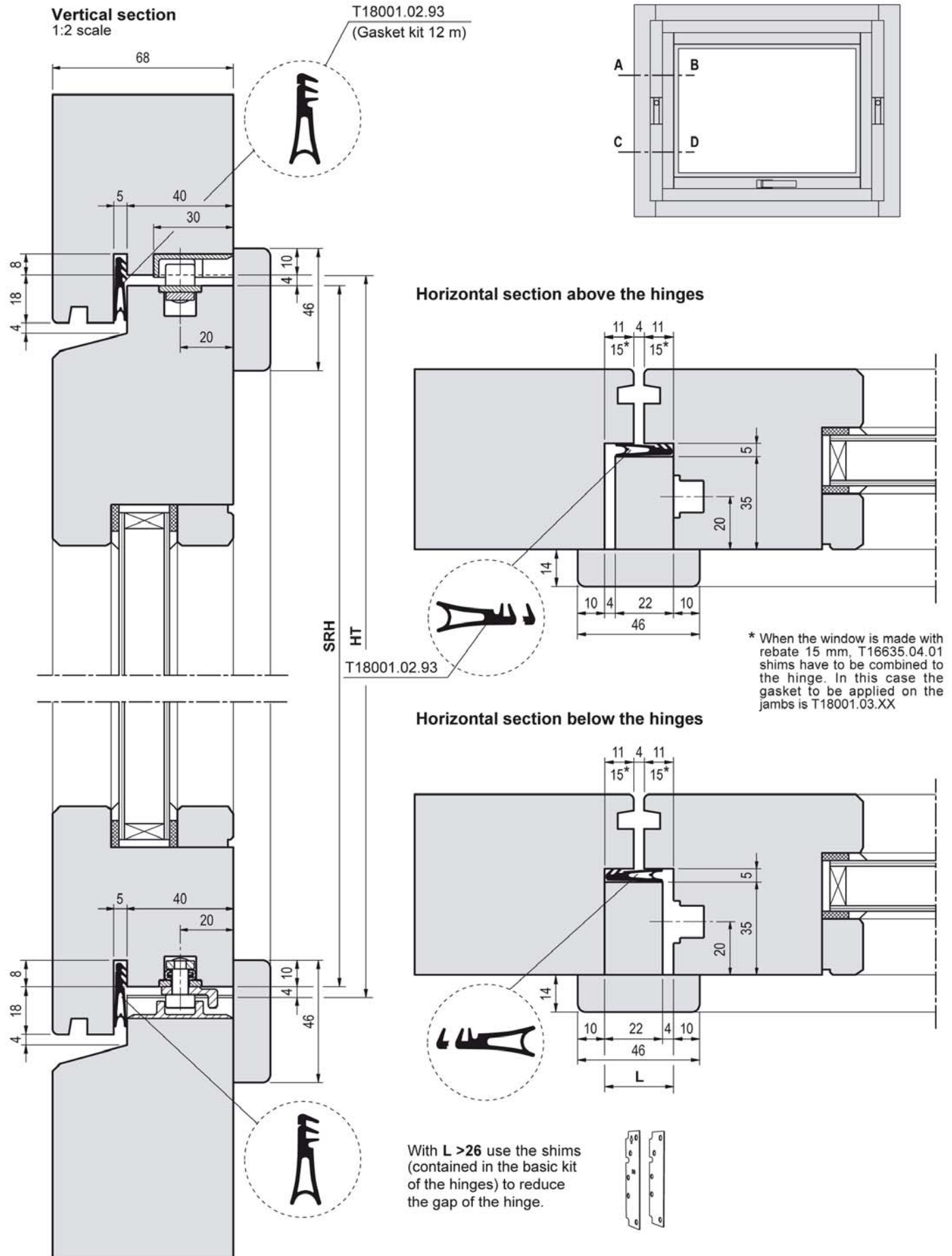


With $L > 34$ as well as the plastic shims T16635.04.01 please use the shims (contained in the basic kit of the hinges) to reduce the gap of the hinge.



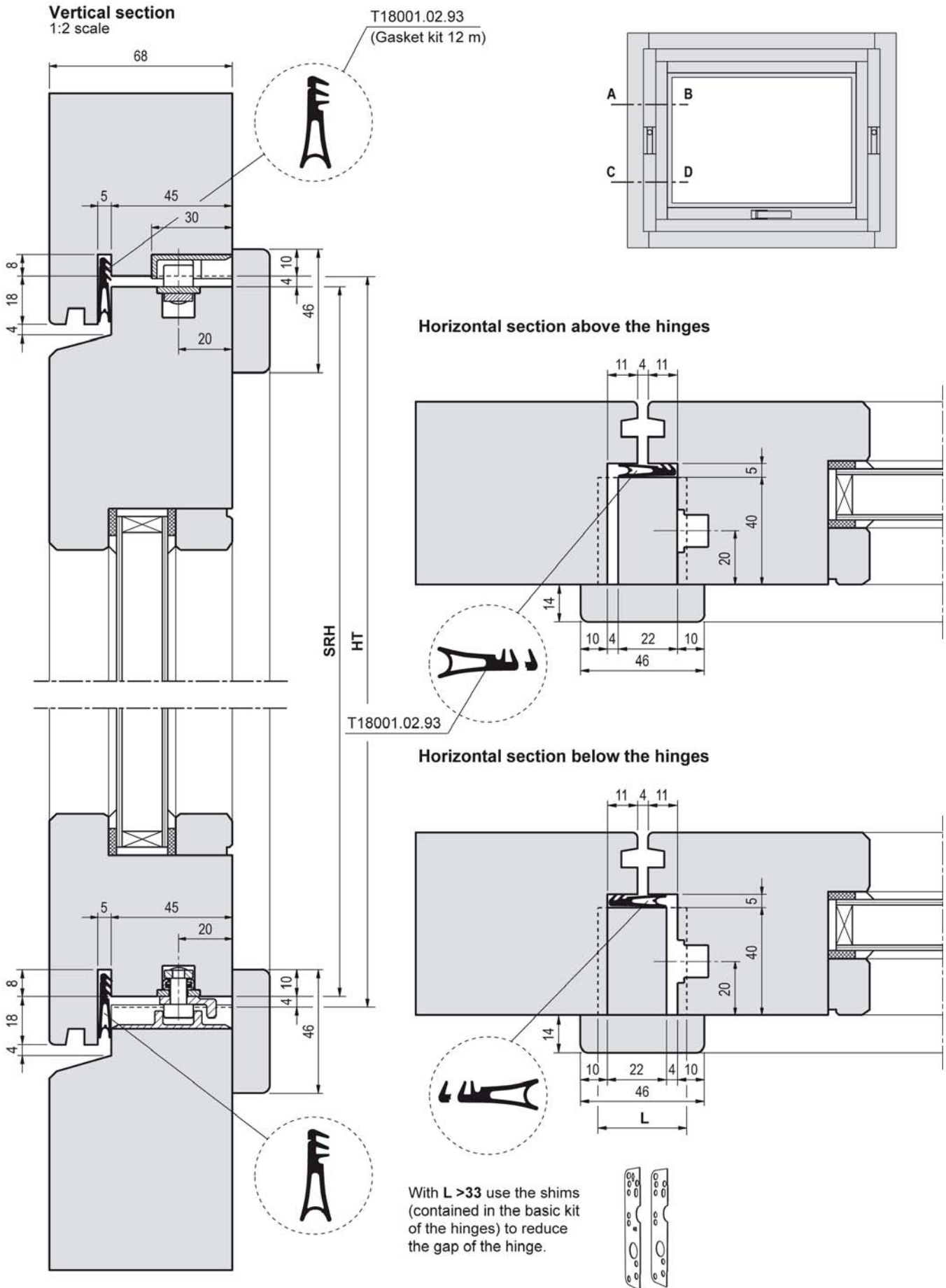


Rectangular Pivot TOUR-35, listel 35 axis 20 - layout 4





Rectangular Pivot TOUR-35, listel 40 axis 20 - layout 5





TOUR Components

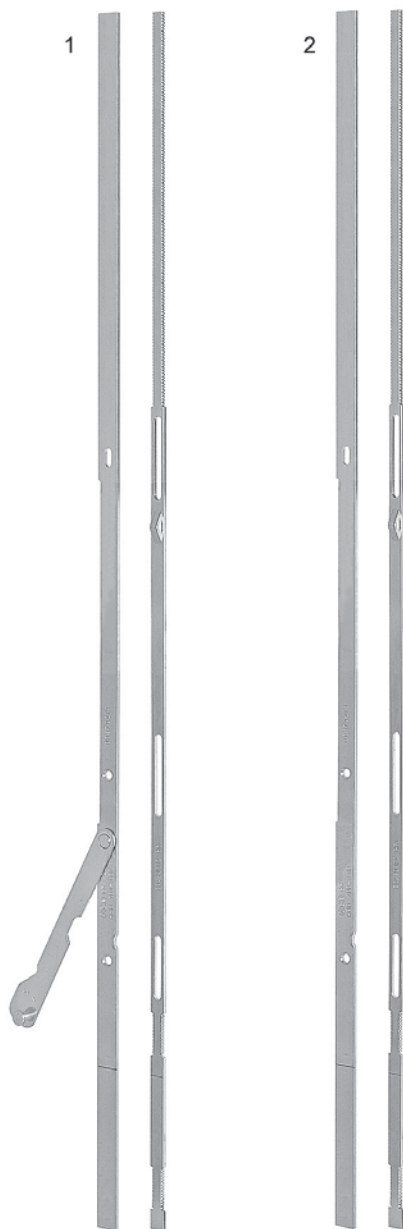


Horizontal element kit

GR	SRW	L	Trim	Cam			
1	530-650	290	60	-	T47501.00.01	1	1
2	640-800	440	80	-	T47501.00.02	1	1
3	801-1200	200	200	1	T47501.00.03	1	1
4	1201-1600	1240	200	1	T47501.00.04	1	1
5	1601-2000	1640	200	1	T47501.00.05	1	1
6	2001-2400	2040	200	2	T47501.00.06	1	1



TOUR Components



Vertical connecting rod with arm

GR	SRH	L	Cam			
1	rh	800-1000	770	1	T46001.01.01	1 10
	lh	800-1000	770	1	T46001.02.01	1 10
2	rh	1001-1400	1040	1	T46001.01.02	1 10
	lh	1001-1400	1040	1	T46001.02.02	1 10
3	rh	1401-1800	1440	1	T46001.01.03	1 10
	lh	1401-1800	1440	1	T46001.02.03	1 10
4	rh	1801-2000	2040	1	T46001.01.04	1 10
	lh	1801-2000	2040	1	T46001.02.04	1 10

Vertical connecting rod without arm

GR	SRH	L	Cam			
1	rh	600-1000	770	1	T46000.01.01	1 1
	lh	600-1000	770	1	T46000.02.01	1 1



TOUR Components



Tour 30 hinges kit, 200 Kg

Matt. chr. plated	T17800.30.34	1	1
Brown	T17800.30.94	1	1



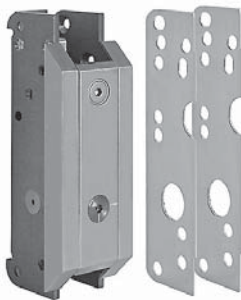
Tour 35 hinges kit, 200 Kg

Matt. chr. plated	T17800.35.34	1	1
Brown	T17800.35.94	1	1



Shims Kit for Tour 35 hinge

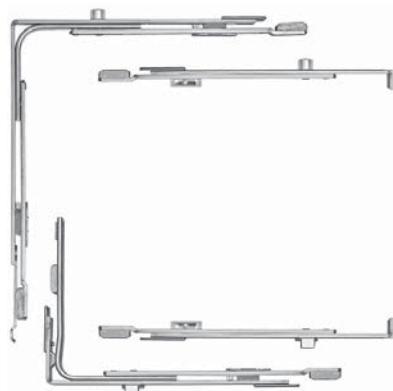
gap 4	rebate 15	T16635.04.01	1	10
-------	-----------	--------------	---	----



Tour 40 hinges kit, 300 Kg

Matt chr. plated	T17800.40.34	1	1
Brown	T17800.40.94	1	1

**Available from April 2010*



Corner drives Kit

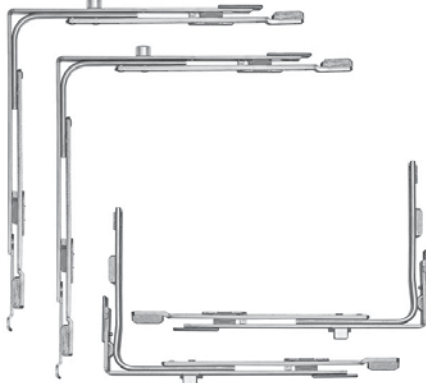
Surface < 2 sm - hardware on 3 sides

SRH>600<800	T48100.03.00	1	1
SRH>801<1001	T48101.03.00	1	1
SRH>1001	T48102.03.00	1	1



TOUR Components

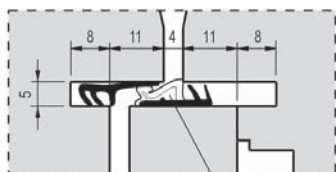
Il disegno si riferisce al kit T48101.04.00



Corner drives Kit

Surface > 2 sm - hardware on 4 sides

HBB<800	T48100.04.00	1	1
SRH<1000	T48101.04.00	1	1
SRH>1001	T48102.04.00	1	1



Gasket for rebate 11, layout 1

12+12 Meter - Price per meter

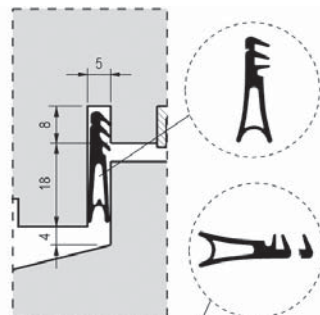
Black	T18002.01.93	12	12
-------	--------------	----	----



Kit guarnizione bilico prefinito

12 Meter - Price per meter

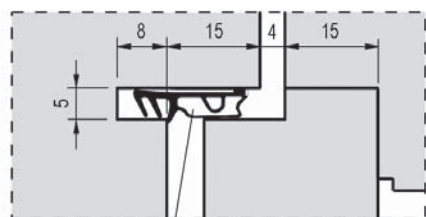
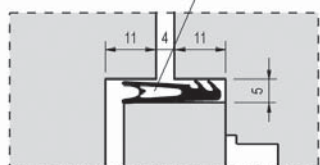
Black	T18001.04.93	12	12
White	T18001.04.91	12	12



Gasket for rebate 11/18, Layout 2, 4 and 5

12 Meter - Price per meter

Black	T18001.02.93	12	12
-------	--------------	----	----



Gasket for rebate 15, layout 3




































12 Meter - Price per meter

Black	T18001.03.93	12	12
-------	--------------	----	----





TOUR Strikers - Components for strikers kits

Kit incontri	TOUR-30 schema 1 listello 30, asse 15		TOUR-30 schema 2 listello 30, asse 15		TOUR-35 schema 3 listello 35, asse 17,5		TOUR-35 schema 4 listello 35, asse 20		TOUR-40 schema 5 listello 40, asse 20	
	Superficie < 2 m ²	Superficie > 2 m ²	Superficie < 2 m ²	Superficie > 2 m ²	Superficie < 2 m ²	Superficie > 2 m ²	Superficie < 2 m ²	Superficie > 2 m ²	Superficie < 2 m ²	Superficie > 2 m ²
	T47701.01.00	T47702.01.00	T47701.02.00	T47702.02.00	T47701.03.00	T47702.03.00	T47701.04.00	T47702.04.00	T47701.05.00	T47702.05.00
Incontri superiori	 x 3 T44030.15.02	 x 4 T44030.15.02	 x 3 T44025.15.01	 x 4 T44025.15.01	 x 3 T44035.17.02	 x 4 T44035.17.02	 x 3 T44030.20.01	 x 4 T44030.20.01	 x 3 T44030.20.01	 x 4 T44030.20.01
Incontri inferiori	 x 3 T44030.15.02	 x 4 T44030.15.02	 x 3 T44035.15.02	 x 4 T44035.15.02	 x 3 T44035.17.02	 x 4 T44035.17.02	 x 3 T44040.20.02	 x 4 T44040.20.02	 x 3 T44045.20.02	 x 4 T44045.20.02
Incontri limitatori	 x 1 T44130.15.04 Sx	 x 1 T44130.15.04 Sx  x 1 T44130.15.03 Dx	 x 1 T44130.15.04 Sx	 x 1 T44130.15.04 Sx  x 1 T44130.15.03 Dx	 x 1 T44135.20.04 Sx	 x 1 T44135.20.04 Sx  x 1 T44135.20.03 Dx	 x 1 T44135.20.04 Sx	 x 1 T44135.20.04 Sx  x 1 T44135.20.03 Dx	 x 1 T44140.20.04 Sx	 x 1 T44140.20.04 Sx  x 1 T44140.20.03 Dx

Cam Kit

TOUR 30 - Layout 1

Surface < 2 sm 3 sides	T47701.01.00	1	10
Surface > 2 sm 4 sides	T47702.01.00	1	10

TOUR 30 - Layout 2

Surface < 2 sm 3 sides	T47701.02.00	1	10
Surface > 2 sm 4 sides	T47702.02.00	1	10

TOUR 35 - Layout 3

Surface < 2 sm 3 sides	T47701.03.00	1	10
Surface > 2 sm 4 sides	T47702.03.00	1	10

TOUR 35 - Layout 4

Surface < 2 sm 3 sides	T47701.04.00	1	10
Surface > 2 sm 4 sides	T47702.04.00	1	10

TOUR 40 - Layout 5

Surface < 2 sm 3 sides	T47701.05.00	1	10
Surface > 2 sm 4 sides	T47702.05.00	1	10



TOUR Strikers

Cam



Rebate 25	Axis 15	T44025.15.01	1	20
Rebate 30	Axis 20	T44030.20.01	1	20

Cam / Microventilation



Rebate 30	Axis 15	T44030.15.02	1	20
Rebate 35	Axis 15	T44035.15.02	1	20
Rebate 35	Axis 17,5	T44035.17.02	1	20
Rebate 40	Axis 20	T44040.20.02	1	20
Rebate 45	Axis 20	T44045.20.02	1	20

Opening limiter



Rebate 30	Axis 15	rh	T44130.15.03	1	20
	Axis 15	lh	T44130.15.04	1	20
Rebate 35	Axis 20/17,5	rh	T44135.20.03	1	20
Rebate 40	Axis 20	rh	T44140.20.03	1	20

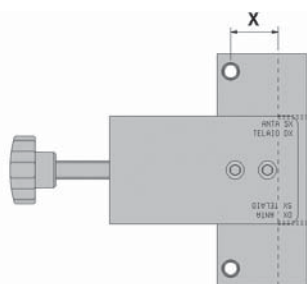
Key for opening limiter striker



			T46901.00.00	1	20
--	--	--	--------------	---	----

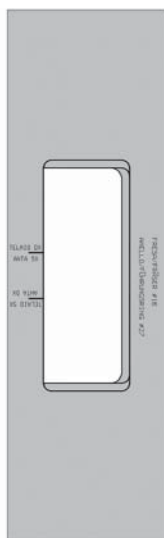


TOUR Jigs



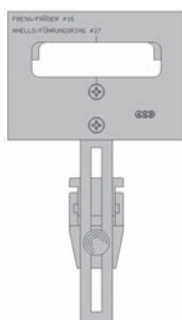
For Tour hinge pins drillings

TOUR 30	T18501.30.00	1	1
TOUR 35	T18501.35.00	1	1



For Tour 40 hinge housing milling

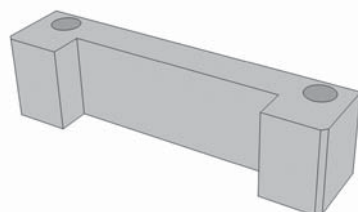
	T18502.40.00	1	1
--	--------------	---	---



For cam strikers milling

gap 4	T18504.01.00	1	1
gap 6 R15	T18504.01.01	1	1

NB: the jig needs a shim T18506.00.35 or T18506.00.45 to avoid chips according to the layout of working

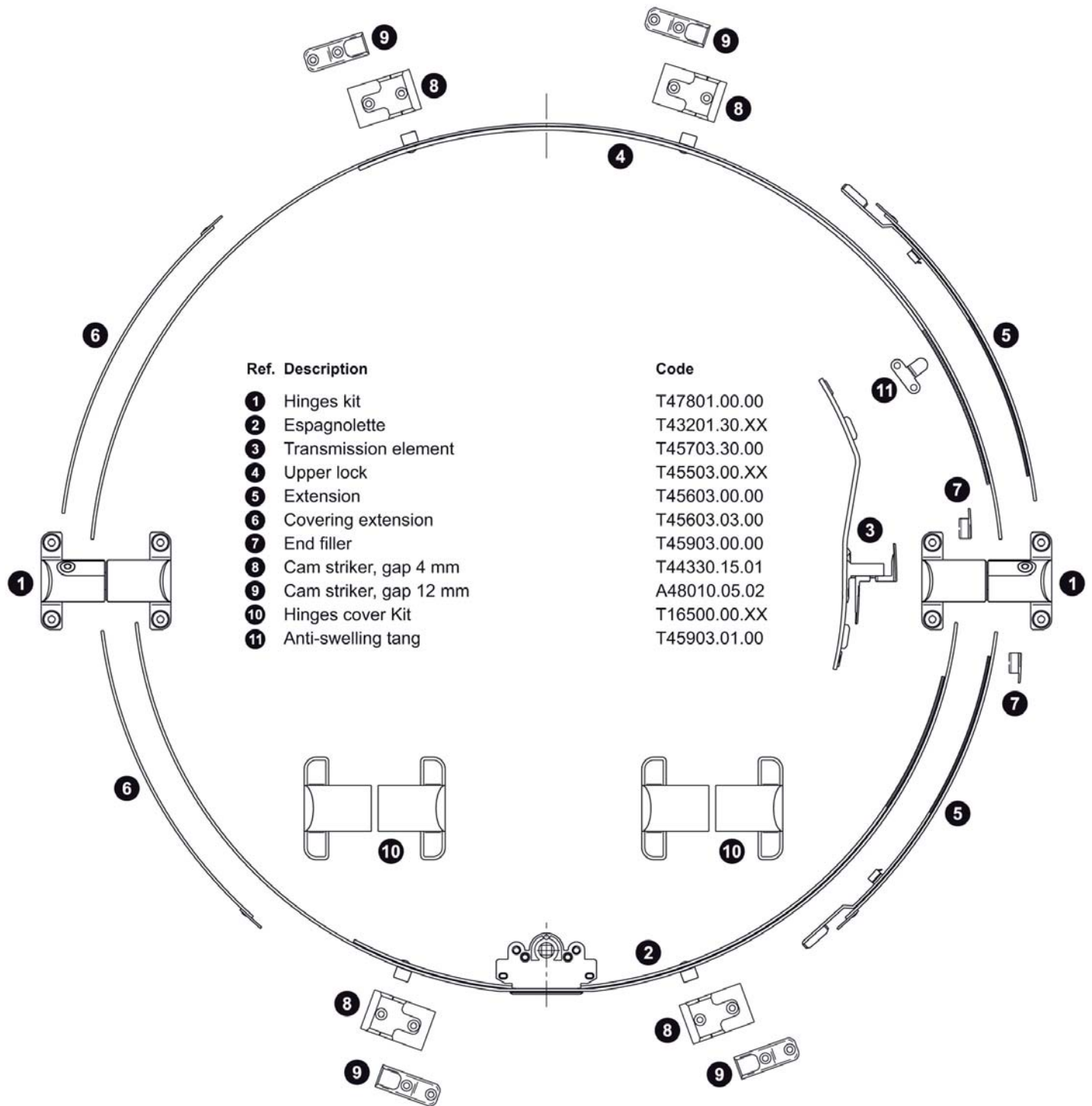


Adapters for strikers milling jigs

Layout 1-2-3	T18506.00.35	1	1
Layout 4-5	T18506.00.45	1	1

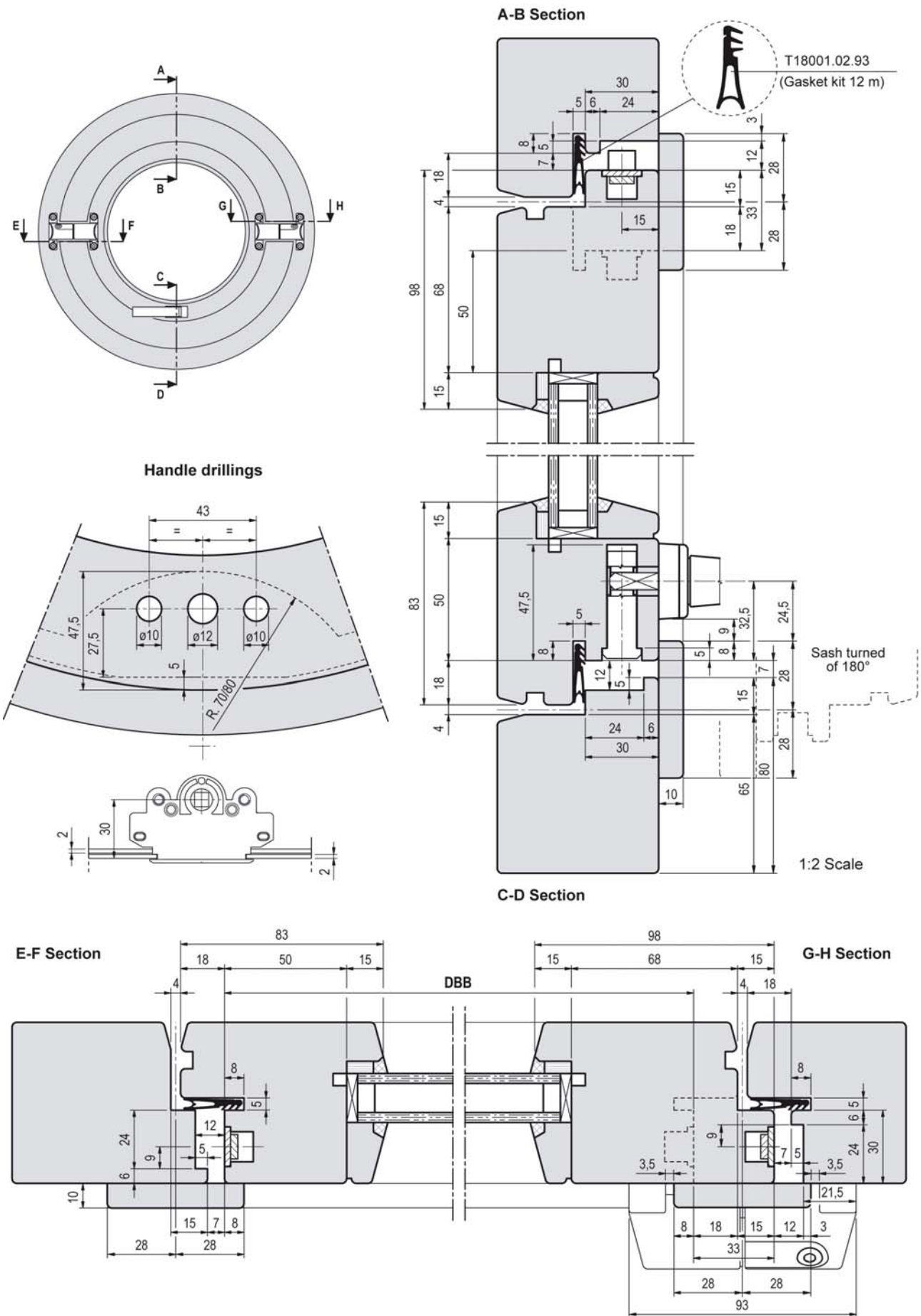


Round Pivot TOUR-R, general layout



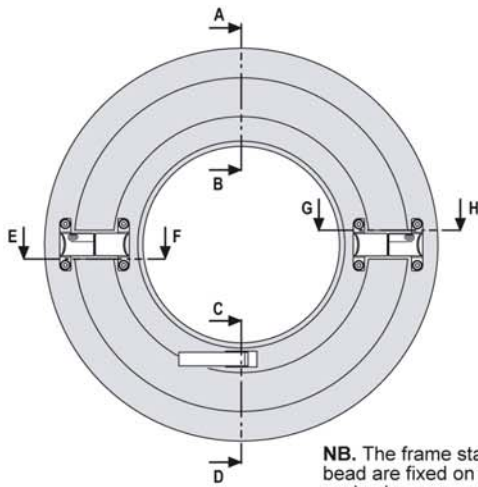


Round Pivot TOUR-R, gap 12



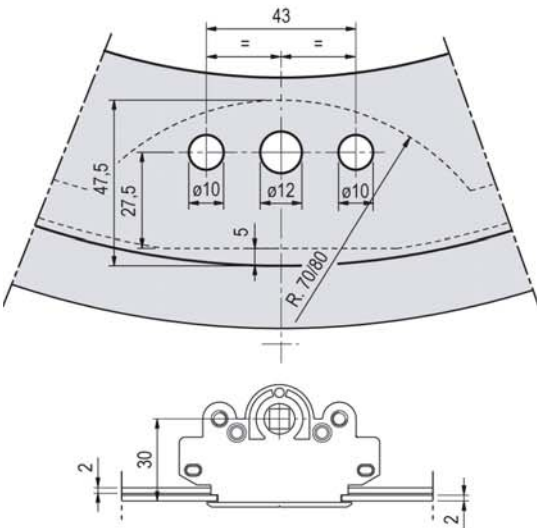


Round Pivot TOUR-R, gap 4

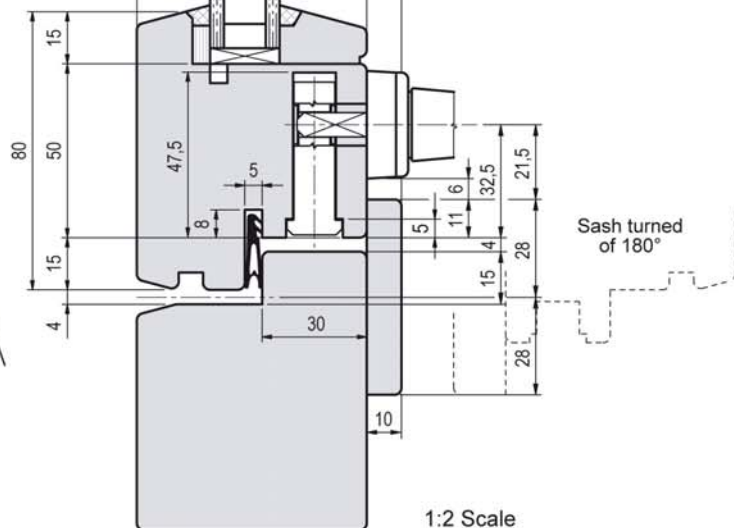
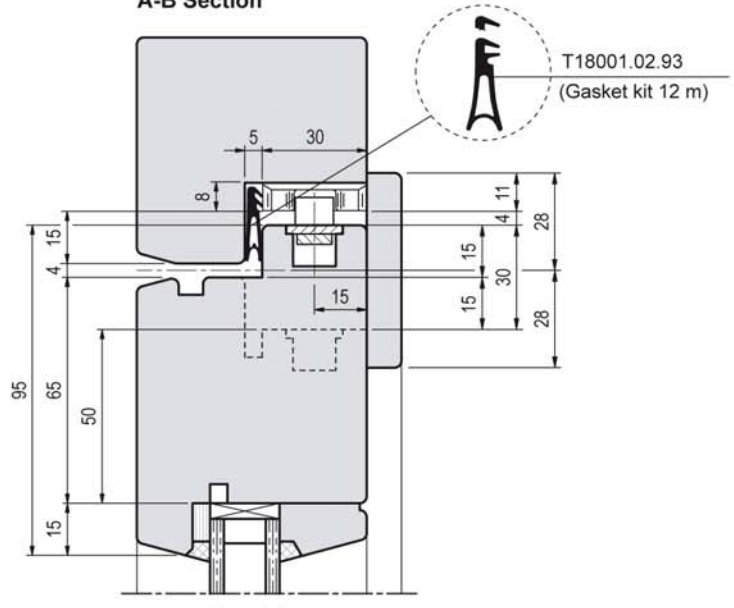


NB. The frame staff bead are fixed on the sash when covers are already mounted.

Handle drillings

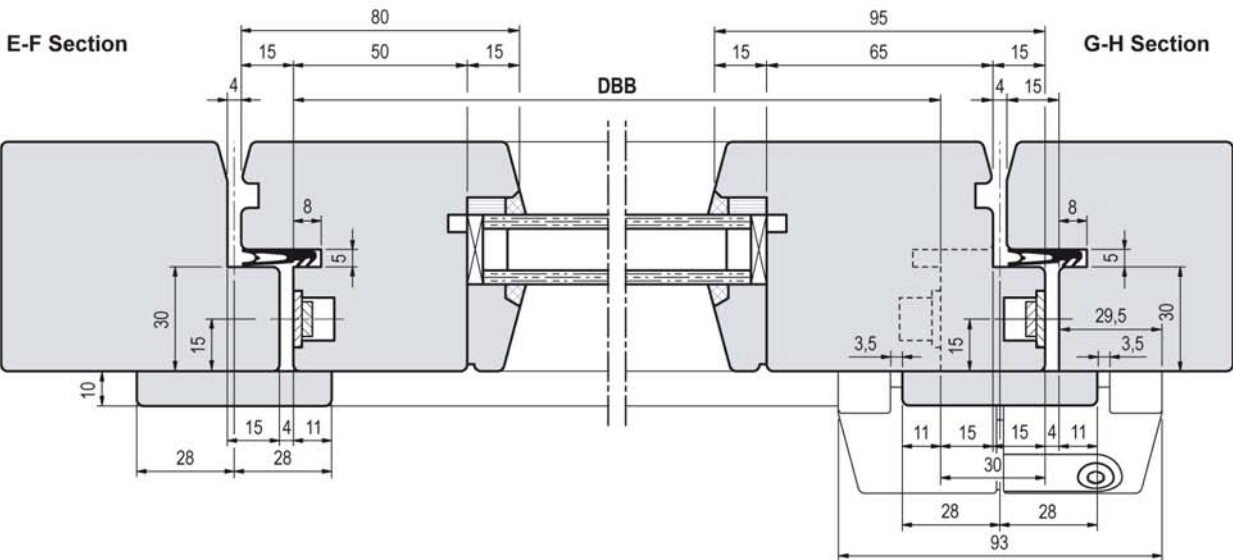


A-B Section



1:2 Scale

C-D Section





TOUR R Components

Espagnolette backset 30

GR	SRW	L	Trim	Cam			
1	500-820	1330	300	1	T43201.30.01	1	10
2	821-1140	1832	300	2	T43201.30.02	1	10
3	1141-1460	2334	300	2	T43201.30.03	1	10
4	1461-1780	2836	300	2	T43201.30.04	1	10



Top lock

GR	SRW	L	Trim	Cam			
1	500-820	1330	250	1	T45503.00.01	1	10
2	821-1140	1832	250	2	T45503.00.02	1	10
3	1141-1460	2334	250	2	T45503.00.03	1	10
4	1461-1780	2836	250	2	T45503.00.04	1	10





TOUR R Components



Espagnolette extension

SRW	L			
1781-2100	300	T45603.00.00	1	10



Covering extension

SRW	L			
1780-2100	300	T45603.03.00	1	10



End filler

		T45903.00.00	1	20
--	--	--------------	---	----

NB: 2 pcs. are included in the hinges package



TOUR R Components



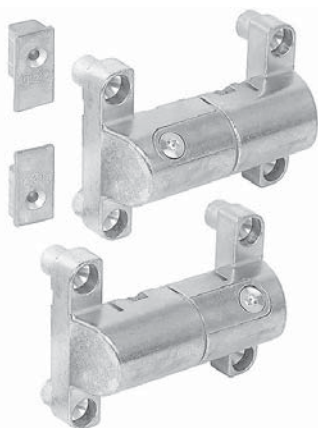
Connecting element

T45703.30.00	1	10
--------------	---	----



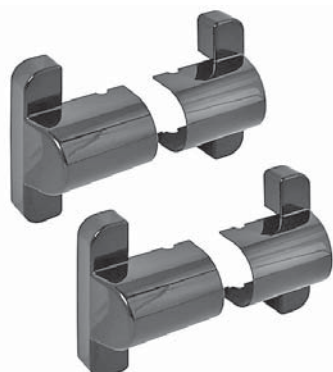
Anti-swelling tang

Silver	T45903.01.00	1	50
NB: 1 pc. included in the connecting element package			



Hinges Kit

T47801.00.00	1	1
--------------	---	---

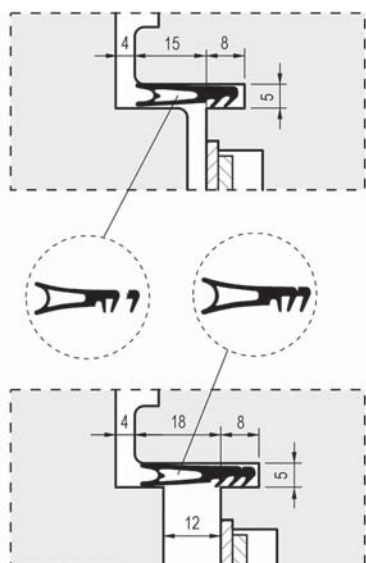


Hinges covers Kits

Matt Silver	T16500.00.21	1	1
Enam. brass plated	T16500.00.50	1	1
Brown	T16500.00.94	1	1



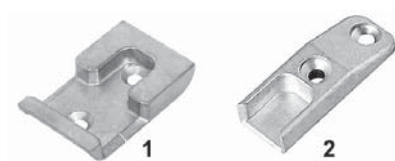
TOUR R Components



Gasket for rebate 15/18, gap 4 and 12

Black	T18001.02.93	12	12
-------	--------------	----	----

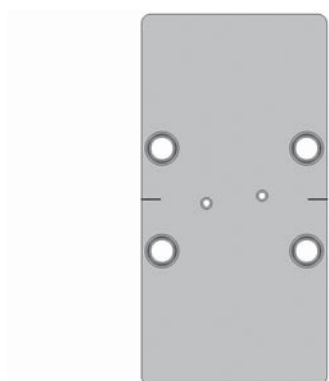
TOUR R Strikers



Cam
Ref.

1	gap 4	T44330.15.01	1	20
2	gap 12	A48010.05.02	50	500

TOUR R Jigs



For Tour R hinge pins drilling

gap 4	rh	T18501.03.30	1	1
	lh	T18501.03.31	1	1
gap 12	rh	T18501.03.33	1	1
	lh	T18501.03.34	1	1



For gap 4 striker drilling

Gap 4	T18505.01.00	1	1
-------	--------------	---	---

SLIDING SYSTEMS



Sliding Systems



Climatech Lift&Slide Layout	pag.	367
Support part schema - Climatech	pag.	368
Sash part schema - Climatech	pag.	369
Lift & Slide - Climatech	pag.	370



Intermediate Lift&Slide Layout	pag.	377
Support part schema - Intermediate	pag.	378
Sash part schema - Intermediate	pag.	379
Lift & Slide - Intermediate	pag.	380



Basic Lift&Slide Layout	pag.	389
Support part schema - Basic	pag.	390
Sash part schema - Basic	pag.	391
Lift & Slide - Basic	pag.	392



Basic kit - Carriages	pag.	398
Locks and extensions	pag.	400
Top guide Kit - components	pag.	400
Accessories	pag.	401
Top guides	pag.	405
Rails	pag.	406
Low cover threshold with thermal brake	pag.	408
High cover threshold and sill	pag.	410
Complementary profiles	pag.	412
Gaskets	pag.	414
Handles	pag.	415
Jigs	pag.	417



Functionalities of coplanar sliding systems GALILEO	pag.	420
---	------	-----

Galileo system - Hardware for left sash	pag.	421
Basic kit	pag.	422
Components	pag.	425
Accessories	pag.	429
Jigs	pag.	430

Galileo system SA - Hardware for left sash	pag.	434
Basic kit	pag.	435
Components	pag.	439

Galileo system CM - Hardware for left sash	pag.	442
Basic kit	pag.	443
Components	pag.	444



Climatech

Water = 8A

Air = 4

Wind = 3 (B)

Thermal transmission = 1,40 W/m²K

(Ug 1.1 dimensions 2x2,18 m, soft wood)

Sound proofing = 41dB

Obtained with 43dB Glass.

With 41dB Glass 39dB are obtained.

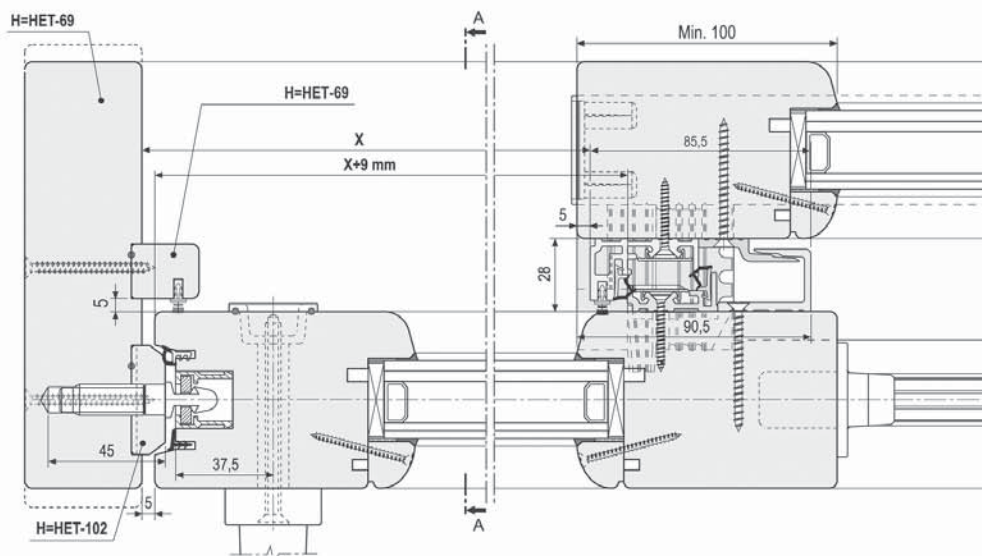
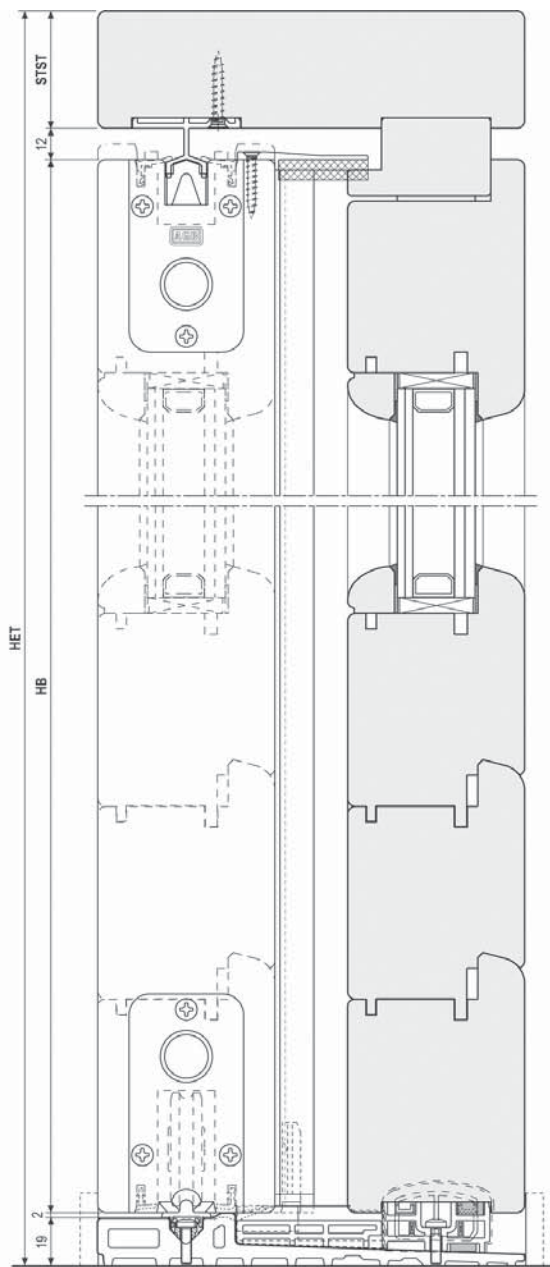
Hit by heavy, soft body = 5

NB. The dimension of the door: 4x2,780 m, 68 mm thickness.



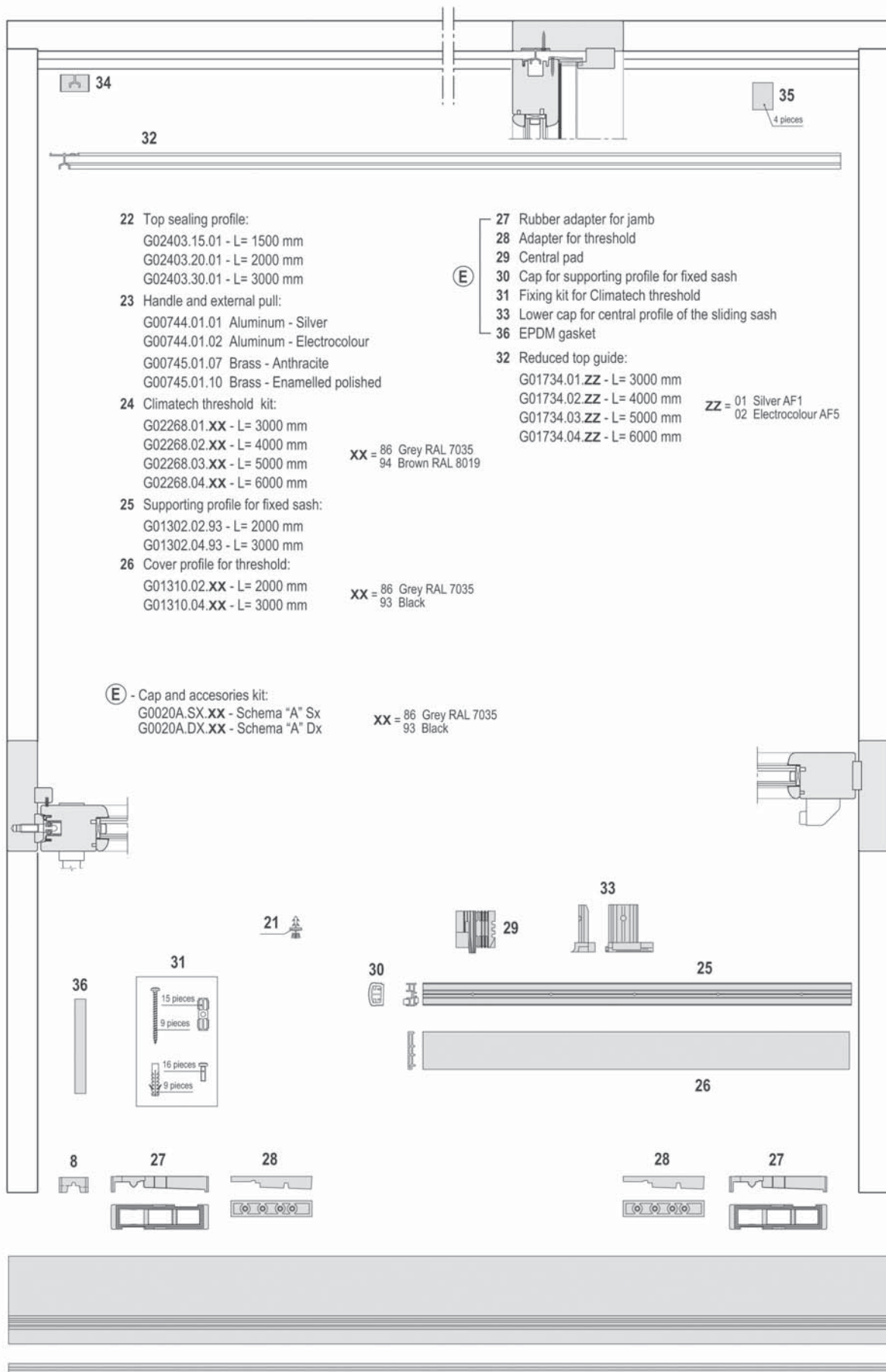


Climatech Lift&Slide layout



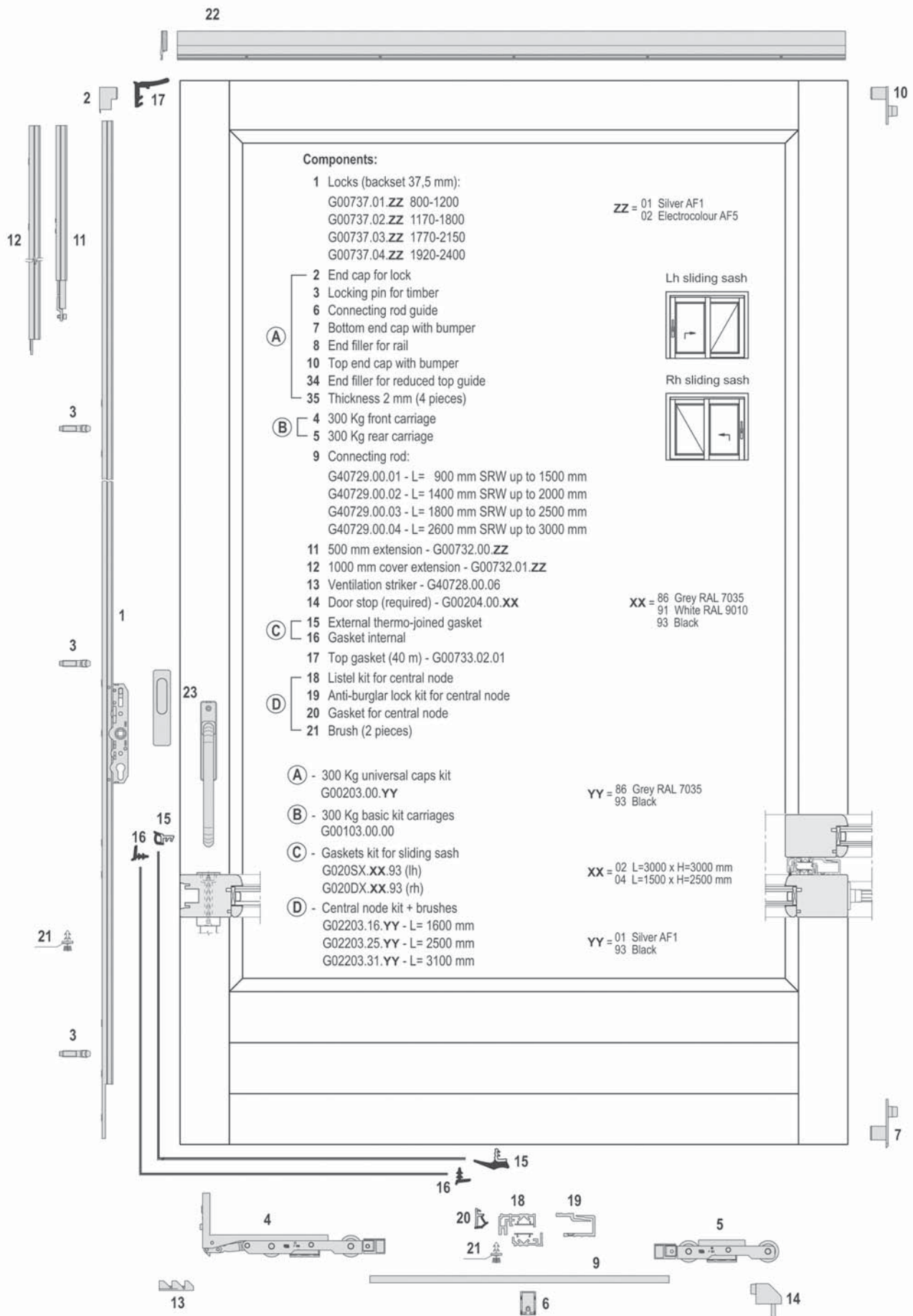


Climatech - Frame layout





Climatech - Sash layout





Lift & Slide - Climatech

Locks

ALUMINIUM SILVER

Backset 37,5	800-1200	H man. 400/410	G00737.01.01	1	1
	1170-1800	H man. 400/410	G00737.02.01	1	1
	1770-2150	H man. 1000/1010	G00737.03.01	1	1
	1920-2400	H man. 1000/1010	G00737.04.01	1	1

ALUMINIUM BROWN

Backset 37,5	800-1200	H man. 400/410	G00737.01.02	1	1
	1170-1800	H man. 400/410	G00737.02.02	1	1
	1770-2150	H man. 1000/1010	G00737.03.02	1	1
	1920-2400	H man. 1000/1010	G00737.04.02	1	1



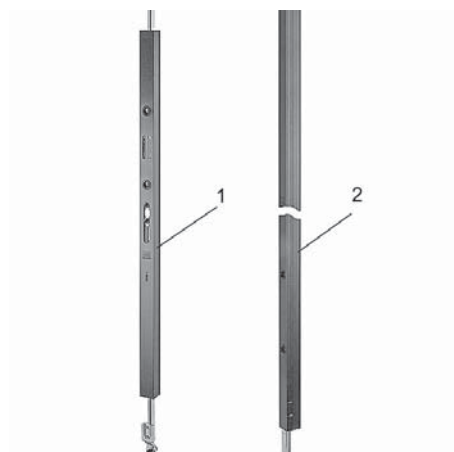
Lock extensions and covers

ALUMINIUM SILVER

1	500 mm	Extension	G00732.00.01	1	1
2	1000 mm	Cover	G00732.01.01	1	1

ALUMINIUM BROWN

1	500 mm	Extension	G00732.00.02	1	1
2	1000 mm	Cover	G00732.01.02	1	1



Bogies and corner drives kit 300 Kg

ZINCO SILVER

● G00103.00.00	1	1
----------------	---	---



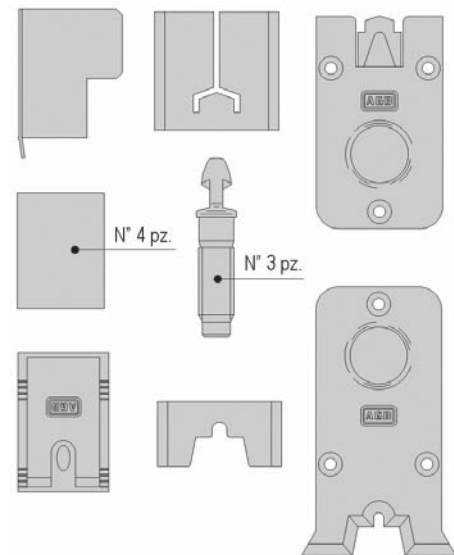


Lift & Slide - Climatech



Connecting rod

Length	900	SRW up to 1500 mm	G40729.00.01	1	1
	1400	SRW up to 2000 mm	G40729.00.02	1	1
	1800	SRW up to 2500 mm	G40729.00.03	1	1
	2600	SRW up to 3000 mm	G40729.00.04	1	1



Universal caps kit 300 Kg

GRAY RAL. 7035	● G00203.00.86	1	1
BLACK	● G00203.00.93	1	1



Upper locking profile

SILVER					
1500 mm	● G02403.15.01	1	1		
2000 mm	● G02403.20.01	1	1		
3000 mm	● G02403.30.01	1	1		

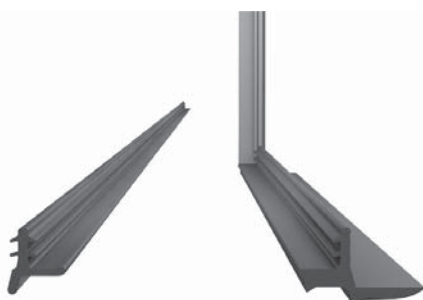


Profile central joint kit

SILVER					
1600 mm	● G02203.16.01	1	1		
2500 mm	● G02203.25.01	1	1		
3100 mm	● G02203.31.01	1	1		
BLACK					
1600 mm	● G02203.16.93	1	1		
2500 mm	● G02203.25.93	1	1		
3100 mm	● G02203.31.93	1	1		



Lift & Slide - Climatech



Gasket kit for sliding sash

BLACK

rh	L 1500 x H 2500	● G020DX.04.93	5	5
	L 3000 x H 3000	● G020DX.02.93	5	5
lh	L 1500 x H 2500	● G020SX.04.93	5	5
	L 3000 x H 3000	● G020SX.02.93	5	5



Top flexible gasket

Prices per metre

Black	40 m	G00733.02.01	40	40
	200 m	G00733.02.02	200	200



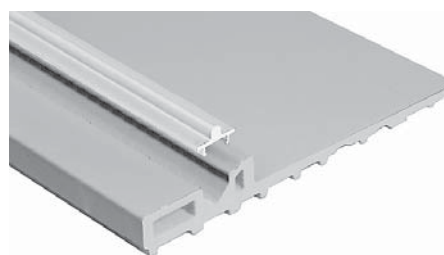
Reduced top guide

ALUMINIUM SILVER

3000 mm	G01734.01.01	1	1
4000 mm	G01734.02.01	1	1
5000 mm	G01734.03.01	1	1
6000 mm	G01734.04.01	1	1

ALUMINIUM BROWN

3000 mm	G01734.01.02	1	1
4000 mm	G01734.02.02	1	1
5000 mm	G01734.03.02	1	1
6000 mm	G01734.04.02	1	1



Climatech threshold kit

GRAY RAL 7035

3000 mm	● G02268.01.86	1	1
4000 mm	● G02268.02.86	1	1
5000 mm	● G02268.03.86	1	1
6000 mm	● G02268.04.86	1	1

BROWN RAL 8019

3000 mm	● G02268.01.94	1	1
4000 mm	● G02268.02.94	1	1
5000 mm	● G02268.03.94	1	1
6000 mm	● G02268.04.94	1	1



Supporting profile for fixed sash

BLACK

2000 mm	● G01302.02.93	1	1
3000 mm	● G01302.04.93	1	1



Thermal profile

GRAY RAL 7035

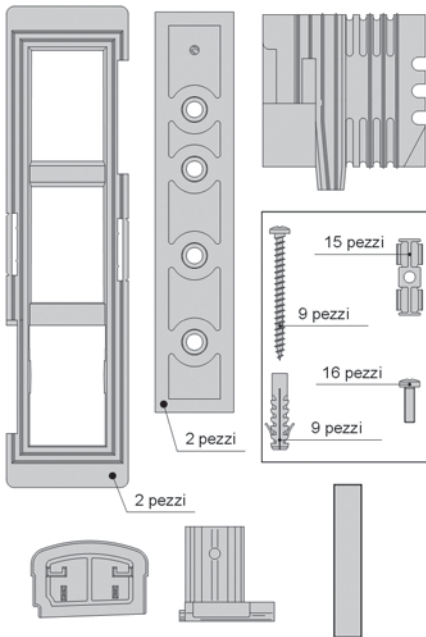
2000 mm	● G01310.02.86	1	1
3000 mm	● G01310.04.86	1	1

BLACK

2000 mm	● G01310.02.93	1	1
3000 mm	● G01310.04.93	1	1



Lift & Slide - Climatech



Caps kit and accessories

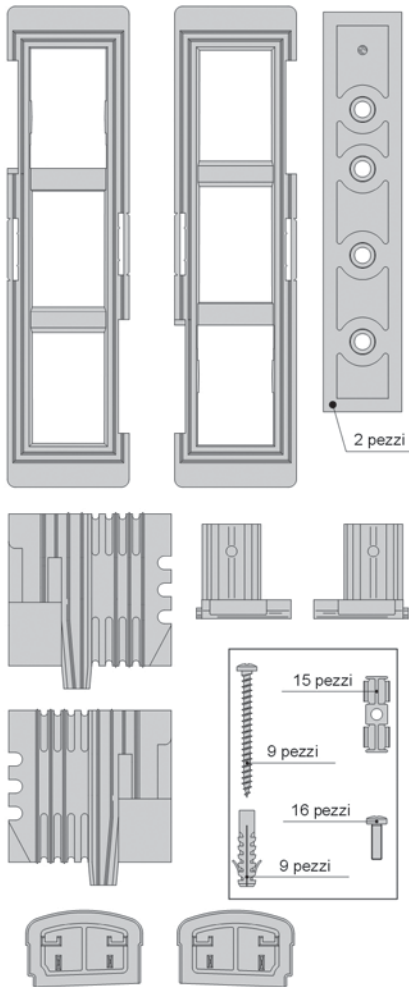
GRAY RAL 7035

rh	● G0020A.DX.86	1	1
lh	● G0020A.SX.86	1	1
BLACK			
rh	● G0020A.DX.93	1	1
lh	● G0020A.SX.93	1	1

Caps kit and accessories for "E" schema

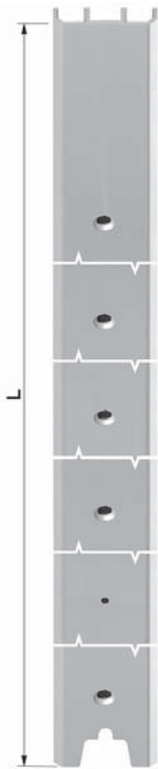
GRAY RAL 7035

	● G0020E.00.86	1	1
BLACK			
	● G0020E.00.93	1	1



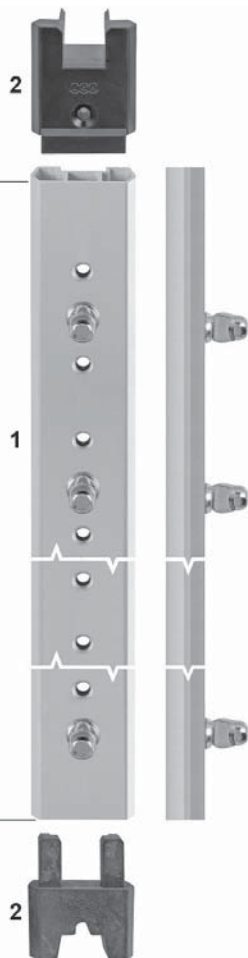


Lift & Slide - Climatech



Locking profile for side point system

ALUMINIUM SILVER		SH			
GR 0	L 1800	800-1800	G00757.00.01	1	1
GR 1	L 2900	1770-2900	G00757.01.01	1	1
ALUMINIUM BROWN		SH			
GR 0	L 1800	800-1800	G00757.00.02	1	1
GR 1	L 2900	1770-2900	G00757.01.02	1	1



1 Locking profile for coaxial sashes with caps

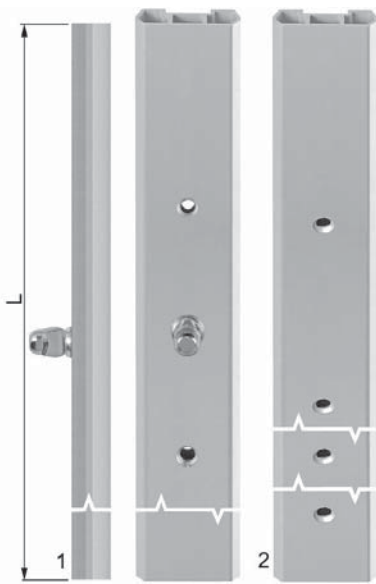
ALUMINIUM SILVER		SH			
GR 1	L 1125	800-1200	G01757.01.01	1	1
GR 2	L 1725	1170-1800	G01757.02.01	1	1
GR 3	L 2075	1770-2150	G01757.03.01	1	1
GR 4	L 2325	1920-2400	G01757.04.01	1	1
ALUMINIUM BROWN		SH			
GR 1	L 1125	800-1200	G01757.01.02	1	1
GR 2	L 1725	1170-1800	G01757.02.02	1	1
GR 3	L 2075	1770-2150	G01757.03.02	1	1
GR 4	L 2325	1920-2400	G01757.04.02	1	1

2 Sealing fillers Kit for replacement

			G01757.96.00	1	50
--	--	--	--------------	---	----



Lift & Slide - Climatech



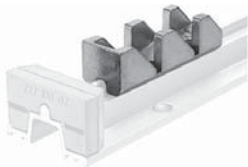
Extension with locking pins for coaxial sashes

ALUMINIUM SILVER					
1	500 mm	With locking pin	G01757.97.01	1	1
2	1000 mm	Cover profile	G01757.00.01	1	1
ALUMINIUM BROWN					
1	500 mm	With locking pin	G01757.97.02	1	1
2	1000 mm	Cover profile	G01757.00.02	1	1



Door stop (compulsory)

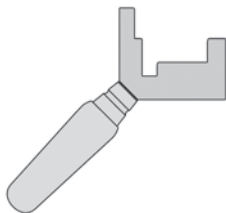
WHITE			
		G00204.00.91	1 1
GRAY RAL 7035			
		G00204.00.86	1 1
BLACK			
		G00204.00.93	1 1



Ventilation striker

Silver	G40728.00.06	1	1
Bichromated*	G00728.00.06	1	1

* Stock exhaustion



Jig for central profiles - fixed sash positioning

● G02304.00.01	1	1
----------------	---	---



Jig for central profiles - sliding sash positioning

● G02304.00.00	1	1
----------------	---	---



Intermediate

Water = 6A

Air = 4

Wind = 4 (A)

Thermal transmission = 1,46 W/m²K

(Ug 1.1 dimensions 2x2,18 m, soft wood)

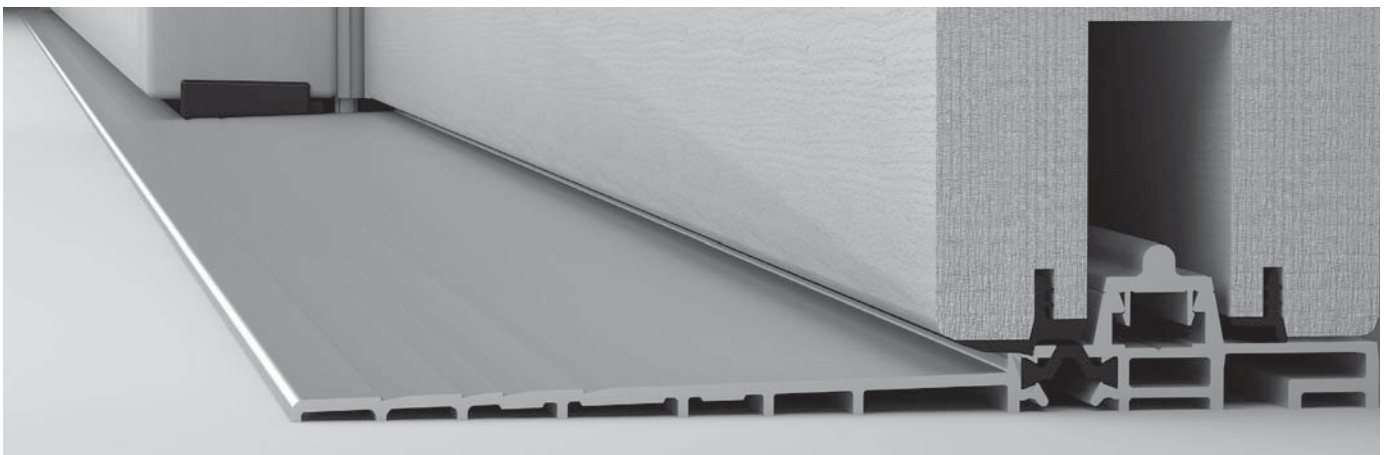
Sound proofing = 40dB

Obtained with 43dB Glass.

With 41dB Glass 38dB are obtained.

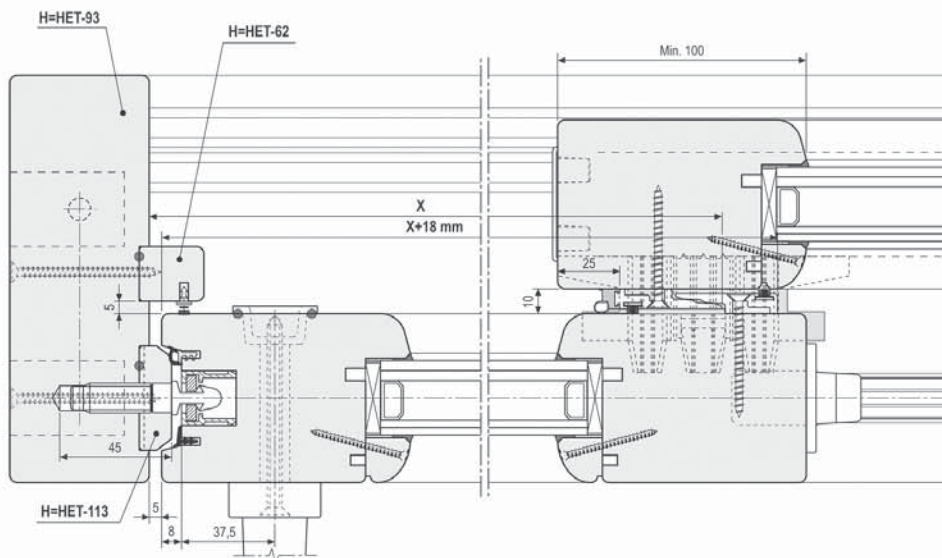
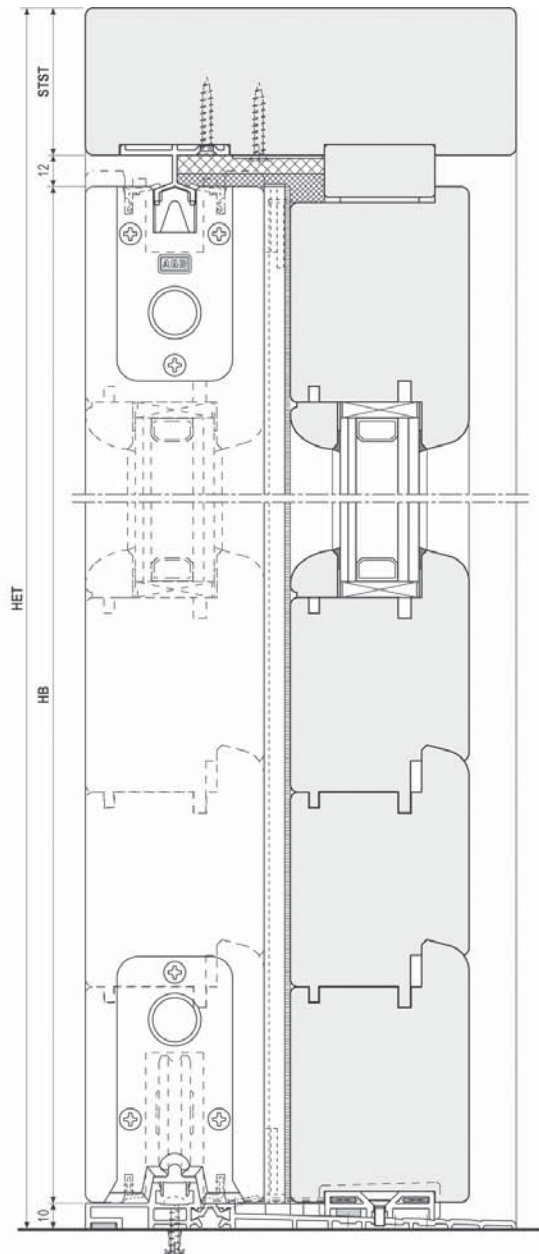
Hit by heavy, soft body = 5

NB. The dimension of the door: 4x2,780 m, 68 mm thickness.



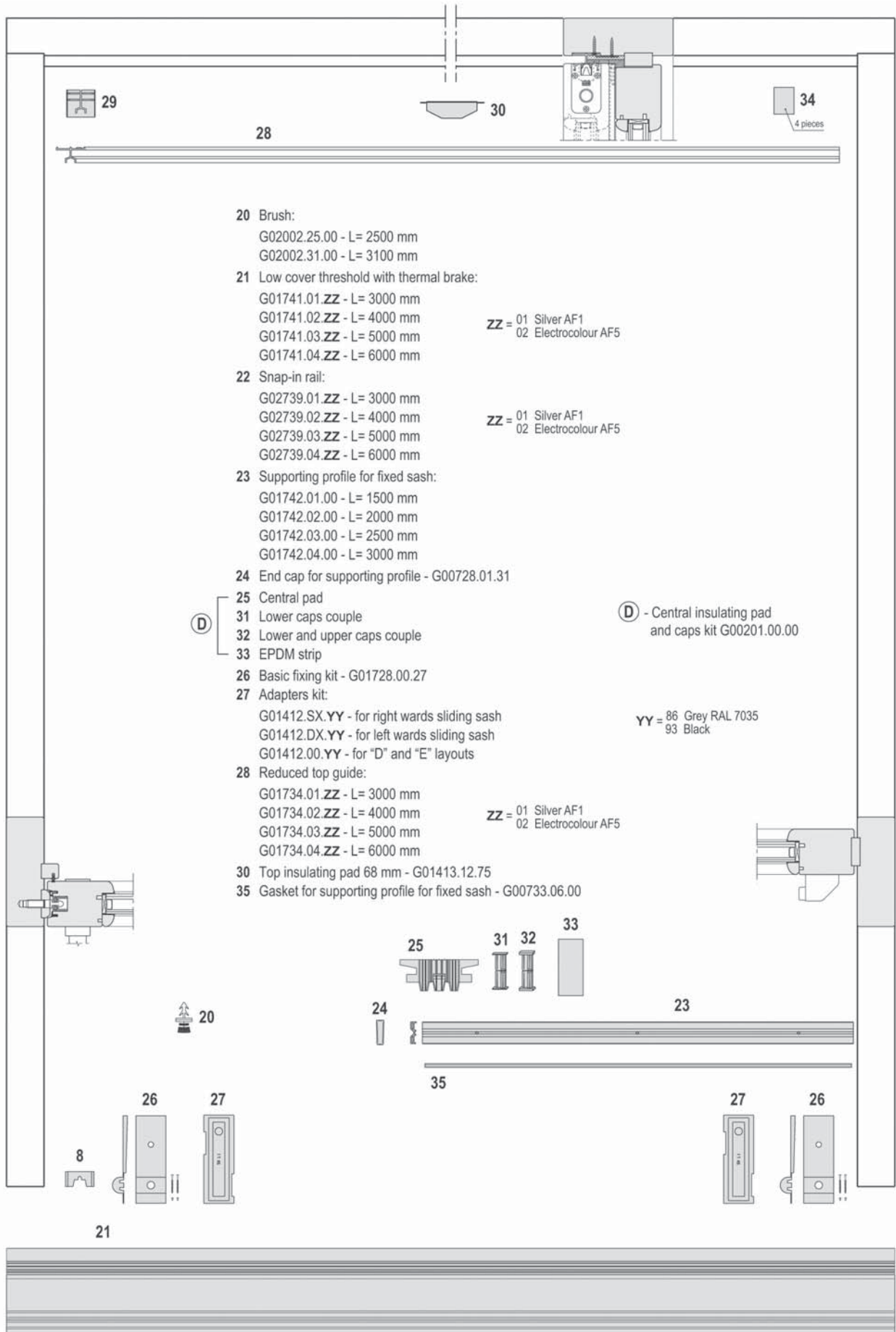


Intermediate Lift&Slide layout



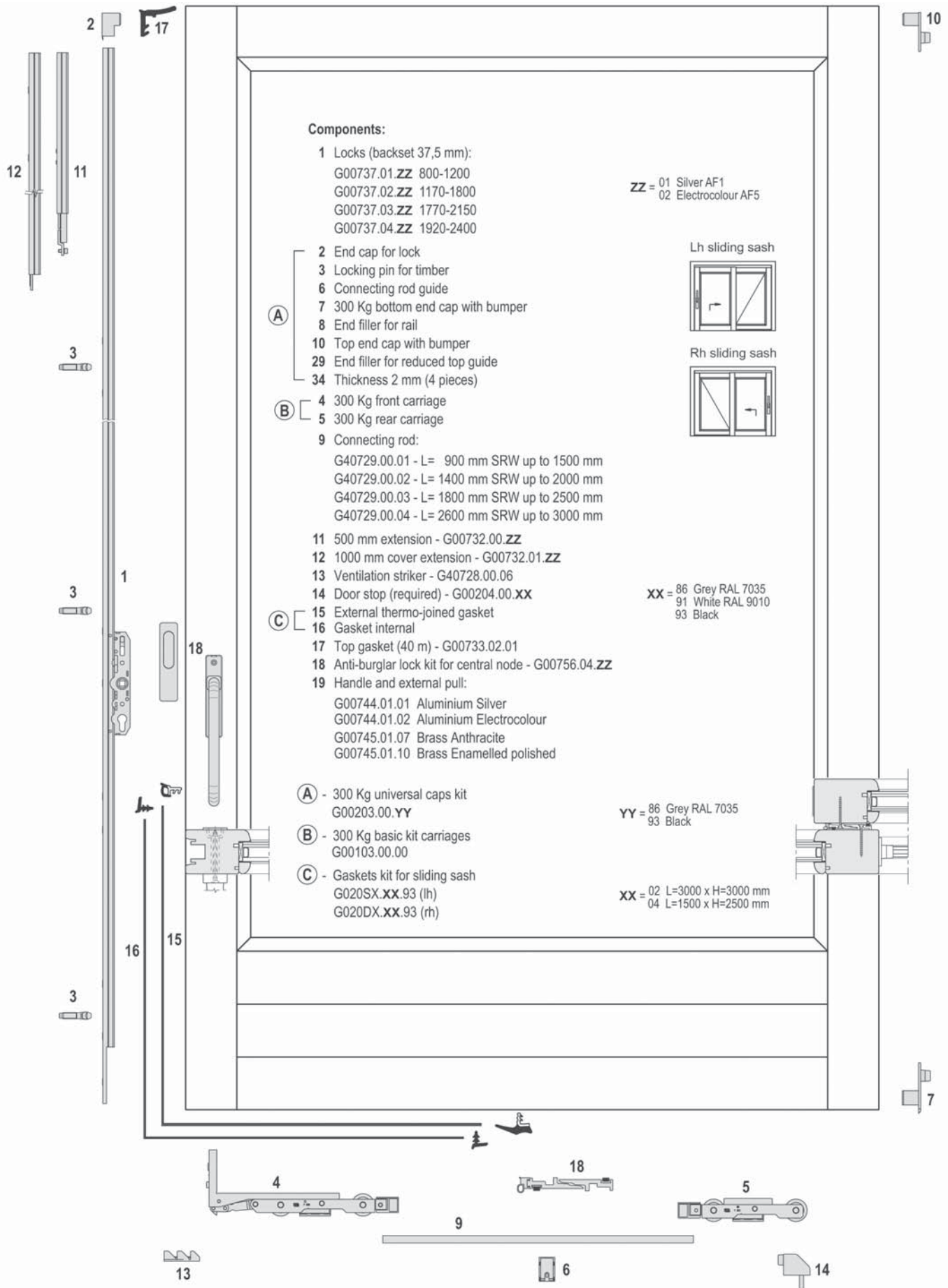


Intermediate - Frame layout





Sash part schema - Intermediate





Lift & Slide - Intermediate

Locks

ALUMINIUM SILVER

Backset 37,5	800-1200	H man. 400/410	G00737.01.01	1	1
	1170-1800	H man. 400/410	G00737.02.01	1	1
	1770-2150	H man. 1000/1010	G00737.03.01	1	1
	1920-2400	H man. 1000/1010	G00737.04.01	1	1

ALUMINIUM BROWN

Backset 37,5	800-1200	H man. 400/410	G00737.01.02	1	1
	1170-1800	H man. 400/410	G00737.02.02	1	1
	1770-2150	H man. 1000/1010	G00737.03.02	1	1
	1920-2400	H man. 1000/1010	G00737.04.02	1	1



Lock extensions and covers

ALUMINIUM SILVER

1	500 mm	Extension	G00732.00.01	1	1
2	1000 mm	Cover	G00732.01.01	1	1

ALUMINIUM BROWN

1	500 mm	Extension	G00732.00.02	1	1
2	1000 mm	Cover	G00732.01.02	1	1



Bogies and corner drives kit 300 Kg

ZINCO SILVER

● G00103.00.00	1	1
----------------	---	---



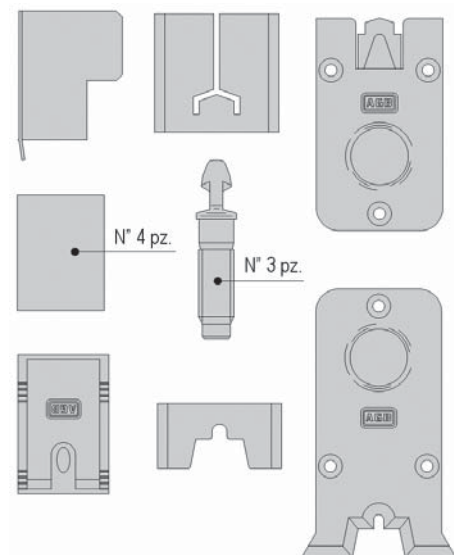


Lift & Slide - Intermediate



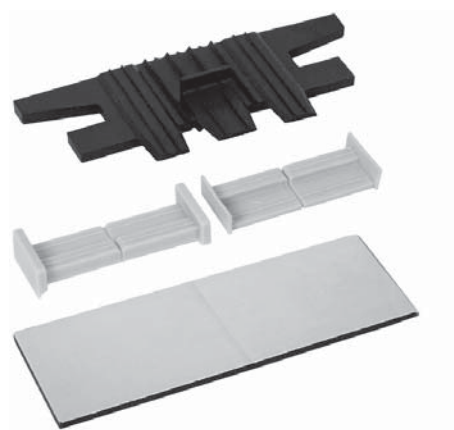
Connecting rod

Length	900	SRW up to 1500 mm	G40729.00.01	1	1
	1400	SRW up to 2000 mm	G40729.00.02	1	1
	1800	SRW up to 2500 mm	G40729.00.03	1	1
	2600	SRW up to 3000 mm	G40729.00.04	1	1



Universal caps kit 300 Kg

GRAY RAL 7035	● G00203.00.86	1	1
BLACK	● G00203.00.93	1	1



Central sealing pad and caps

● G00201.00.00	1	1
----------------	---	---



Anti-burglar central lock

ALUMINIUM SILVER			
3000 mm	G00756.04.01	1	1
ALUMINIUM BROWN			
3000 mm	G00756.04.02	1	1



Lift & Slide - Intermediate



Brush for decompression chamber

BLACK				
2500 mm		● G02002.25.00	5	5
3100 mm		● G02002.31.00	5	5
1600 mm		● G02002.16.00	5	5



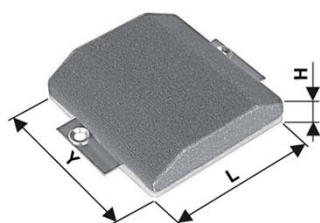
Gasket kit for sliding sash

BLACK				
rh	L 1500 x H 2500	● G020DX.04.93	5	5
	L 3000 x H 3000	● G020DX.02.93	5	5
lh	L 1500 x H 2500	● G020SX.04.93	5	5
	L 3000 x H 3000	● G020SX.02.93	5	5



Top flexible gasket

Prices per metre				
40 m		G00733.02.01	40	40
200 m		G00733.02.02	200	200



Upper sealing pad

LXHX Y				
	75X15X75	● G01413.12.75	1	1



Reduced top guide

ALUMINIUM SILVER				
	3000 mm	G01734.01.01	1	1
	4000 mm	G01734.02.01	1	1
	5000 mm	G01734.03.01	1	1
	6000 mm	G01734.04.01	1	1
ALUMINIUM BROWN				
	3000 mm	G01734.01.02	1	1
	4000 mm	G01734.02.02	1	1
	5000 mm	G01734.03.02	1	1
	6000 mm	G01734.04.02	1	1



Lift & Slide - Intermediate



Low cover threshold with thermal brake

ALUMINIUM SILVER

3000 mm	G01741.01.01	1	1
4000 mm	G01741.02.01	1	1
5000 mm	G01741.03.01	1	1
6000 mm	G01741.04.01	1	1

ALUMINIUM BROWN

3000 mm	G01741.01.02	1	1
4000 mm	G01741.02.02	1	1
5000 mm	G01741.03.02	1	1
6000 mm	G01741.04.02	1	1

NB: The cover does not include the releasing rail which has to be ordered separately



Snap-in rail

ALUMINIUM SILVER

3000 mm	G02739.01.01	1	1
4000 mm	G02739.02.01	1	1
5000 mm	G02739.03.01	1	1
6000 mm	G02739.04.01	1	1

ALUMINIUM BROWN

3000 mm	G02739.01.02	1	1
4000 mm	G02739.02.02	1	1
5000 mm	G02739.03.02	1	1
6000 mm	G02739.04.02	1	1



Pvc supporting profile for fixed sash on low cover threshold

1500 mm	G01742.01.00	1	1
2000 mm	G01742.02.00	1	1
2500 mm	G01742.03.00	1	1
3000 mm	G01742.04.00	1	1

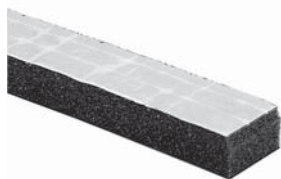
End cap for supporting profile, non handed, for low cover threshold

G00728.01.31	25	25
--------------	----	----





Lift & Slide - Intermediate



Expanded PVC gasket for rails

Price per meter

Black	20 m	G00733.06.00	20	20
-------	------	--------------	----	----



Door stop (compulsory)

WHITE

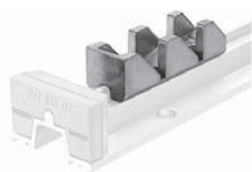
G00204.00.91	1	1
--------------	---	---

GRAY RAL 7035

G00204.00.86	1	1
--------------	---	---

BLACK

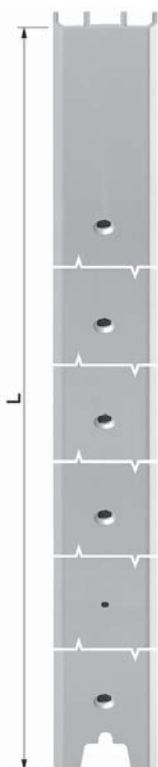
G00204.00.93	1	1
--------------	---	---



Ventilation striker

Silver	G40728.00.06	1	1
Bichromated*	G00728.00.06	1	1

* Stock exhaustion

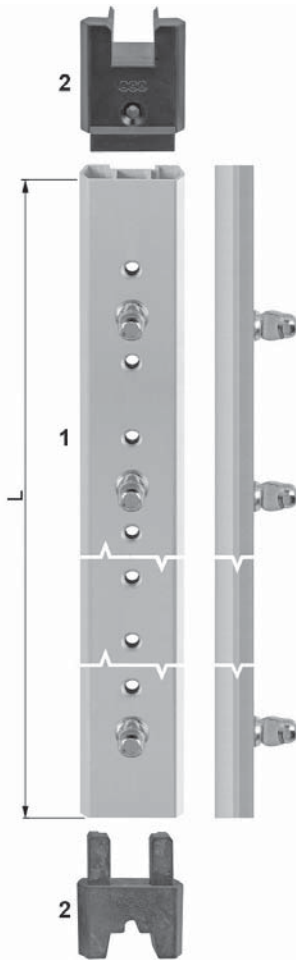


Locking profile for side point system

ALUMINIUM SILVER		SH			
GR 0	L 1800	800-1800	G00757.00.01	1	1
GR 1	L 2900	1770-2900	G00757.01.01	1	1
ALUMINIUM BROWN		SH			
GR 0	L 1800	800-1800	G00757.00.02	1	1
GR 1	L 2900	1770-2900	G00757.01.02	1	1



Lift & Slide - Intermediate

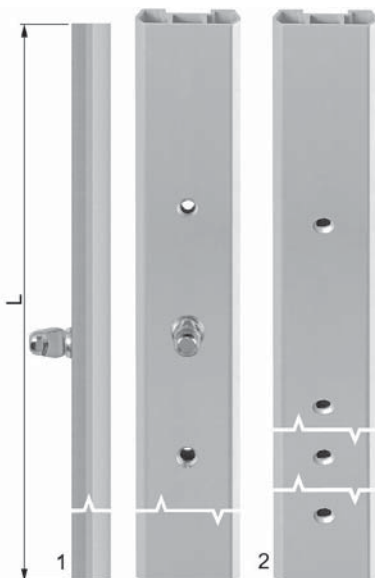


1 Locking profile for coaxial sashes with caps

ALUMINIUM SILVER		SH			
GR 1	L 1125	800-1200	G01757.01.01	1	1
GR 2	L 1725	1170-1800	G01757.02.01	1	1
GR 3	L 2075	1770-2150	G01757.03.01	1	1
GR 4	L 2325	1920-2400	G01757.04.01	1	1
ALUMINIUM BROWN		SH			
GR 1	L 1125	800-1200	G01757.01.02	1	1
GR 2	L 1725	1170-1800	G01757.02.02	1	1
GR 3	L 2075	1770-2150	G01757.03.02	1	1
GR 4	L 2325	1920-2400	G01757.04.02	1	1

2 Sealing fillers Kit for replacement

			G01757.96.00	1	50
--	--	--	--------------	---	----



Extension with locking pins for coaxial sashes

ALUMINIUM SILVER					
1	500 mm	With locking pin	G01757.97.01	1	1
2	1000 mm	Cover profile	G01757.00.01	1	1
ALUMINIUM BROWN					
1	500 mm	With locking pin	G01757.97.02	1	1
2	1000 mm	Cover profile	G01757.00.02	1	1



Lift & Slide - Intermediate



Top corner connection kit

G00728.00.23	1	1
--------------	---	---



Corner connection for low cover threshold

G01728.00.27	1	1
--------------	---	---



Compensating caps kit

GRAY RAL 7035

rh	G01412.DX.86	1	1
lh	G01412.SX.86	1	1
for "D" and "E" layouts	G01412.00.86	1	1

BLACK

rh	● G01412.DX.93	1	1
lh	● G01412.SX.93	1	1
for "D" and "E" layouts	● G01412.00.93	1	1



Water = 3A

Air = 4

Wind = 2 (C)

Thermal transmission = 1,38 W/m²K

(Ug 1.1 dimensions 2x2,18 m, soft wood)

Sound proofing = 41dB

Obtained with 43dB Glass.

With 41dB Glass 39dB are obtained.

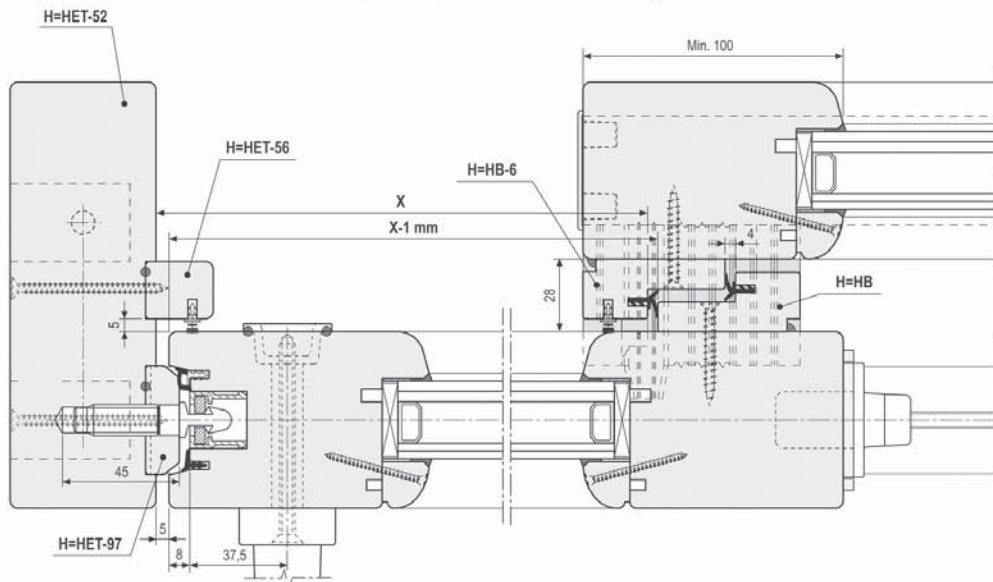
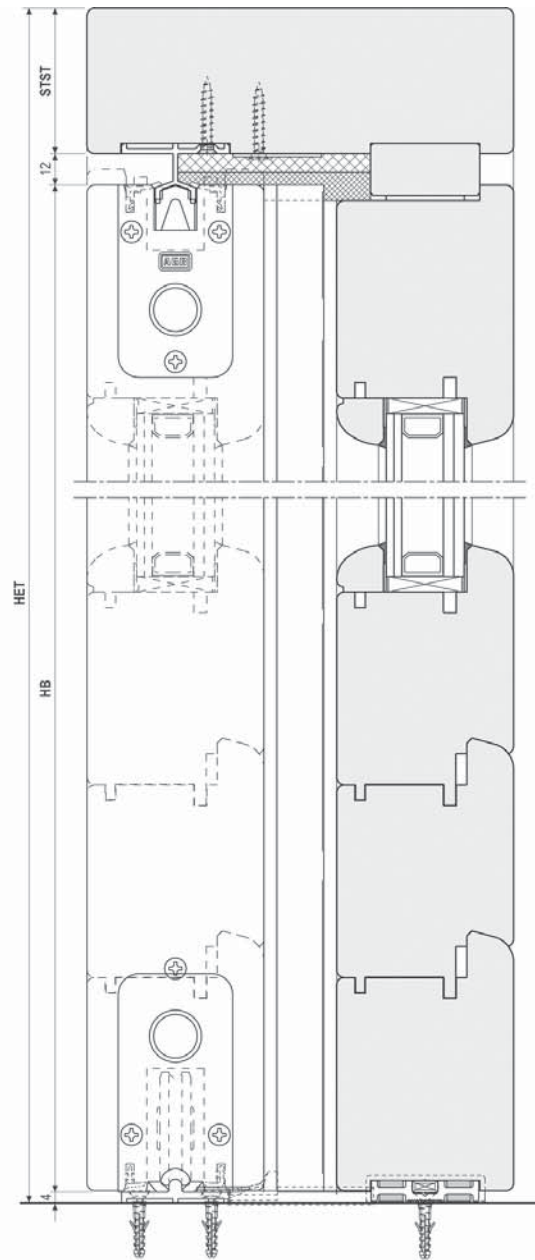
Hit by heavy, soft body = 5

NB. The dimension of the door: 4x2,780 m, 68 mm thickness.



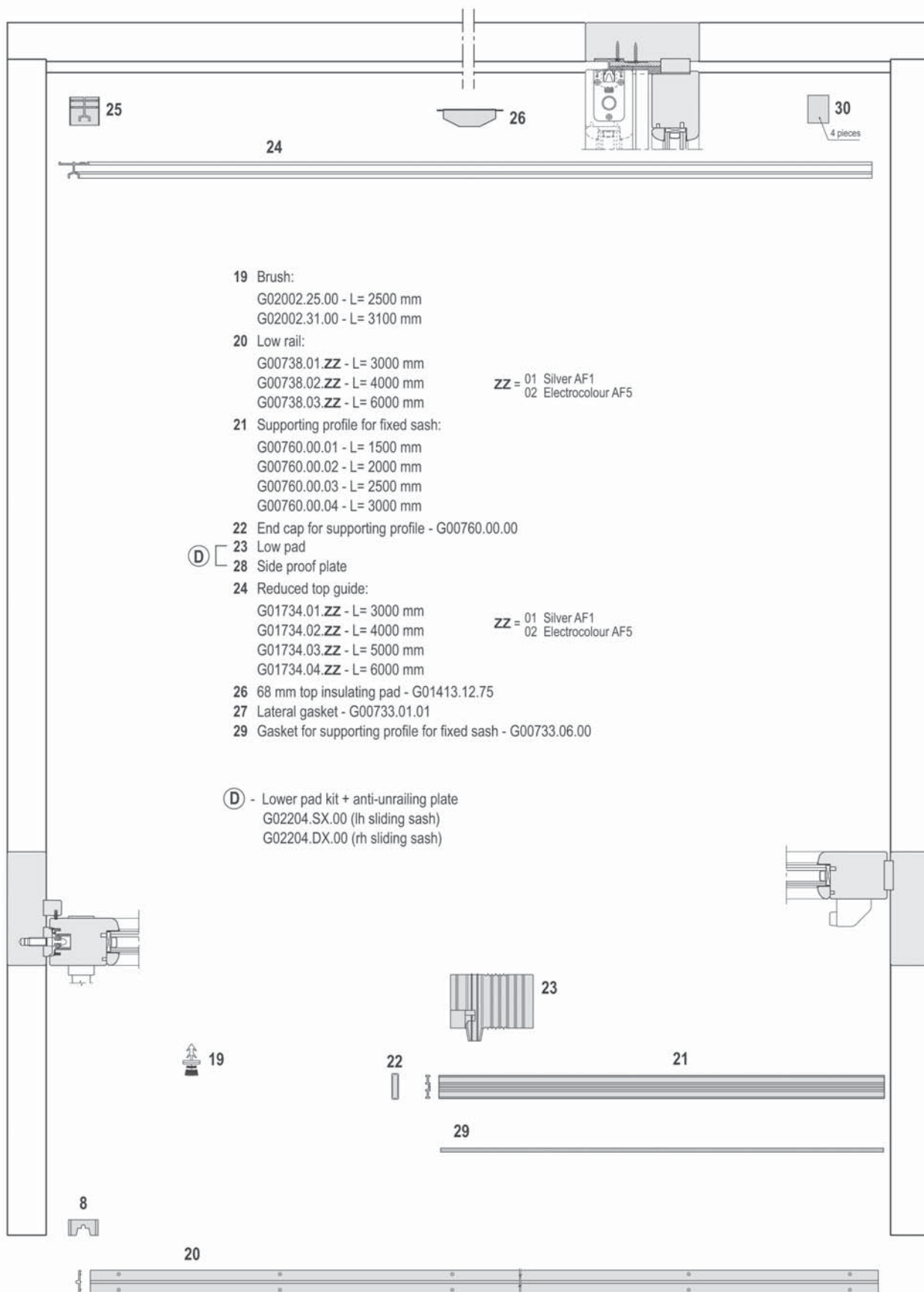


Basic Lift&Slide layout



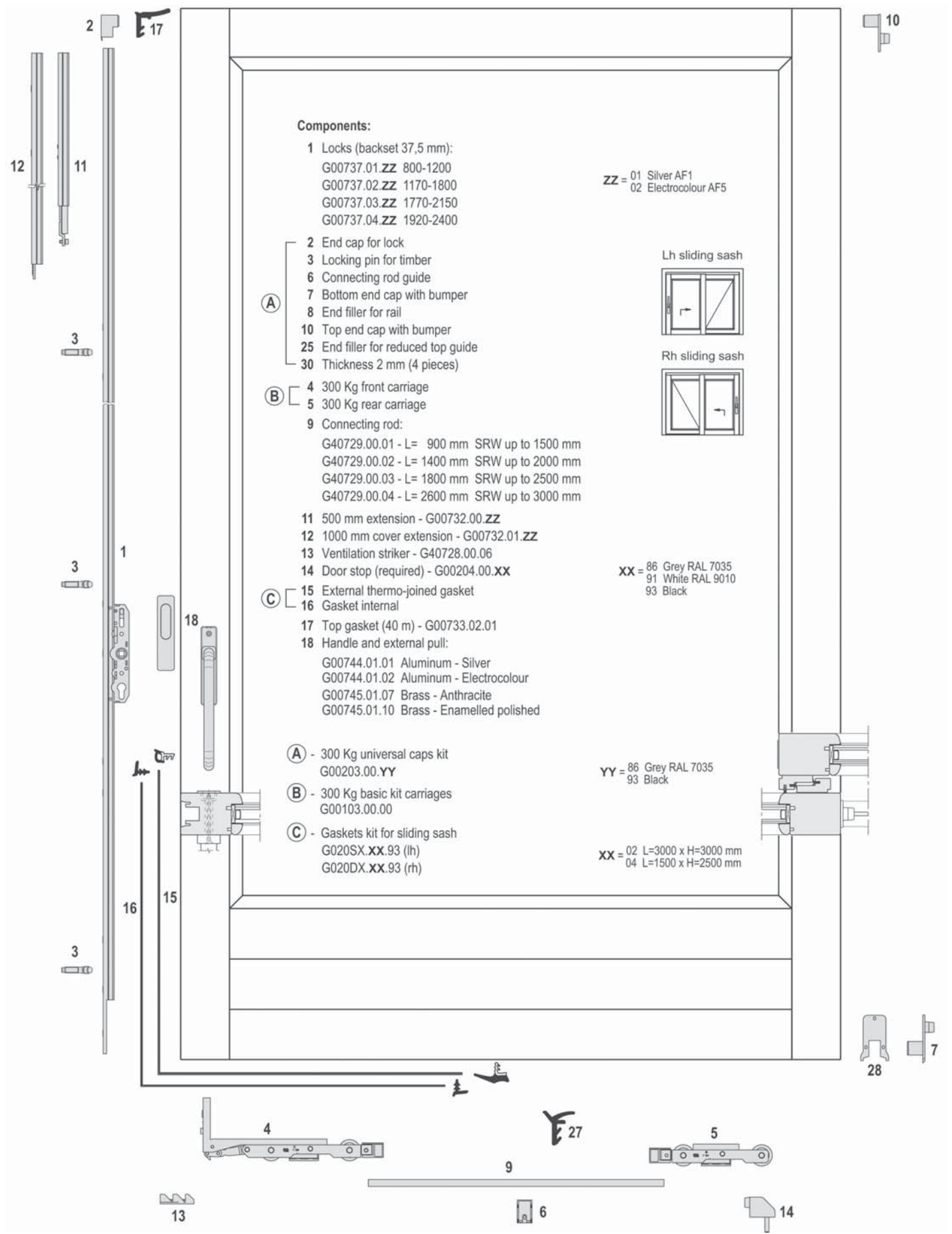


Basic - Frame layout





Basic - Sash layout





Lift & Slide - Basic

Locks

ALUMINIUM SILVER

Backset 37,5	800-1200	H man. 400/410	G00737.01.01	1	1
	1170-1800	H man. 400/410	G00737.02.01	1	1
	1770-2150	H man. 1000/1010	G00737.03.01	1	1
	1920-2400	H man. 1000/1010	G00737.04.01	1	1

ALUMINIUM BROWN

Backset 37,5	800-1200	H man. 400/410	G00737.01.02	1	1
	1170-1800	H man. 400/410	G00737.02.02	1	1
	1770-2150	H man. 1000/1010	G00737.03.02	1	1
	1920-2400	H man. 1000/1010	G00737.04.02	1	1



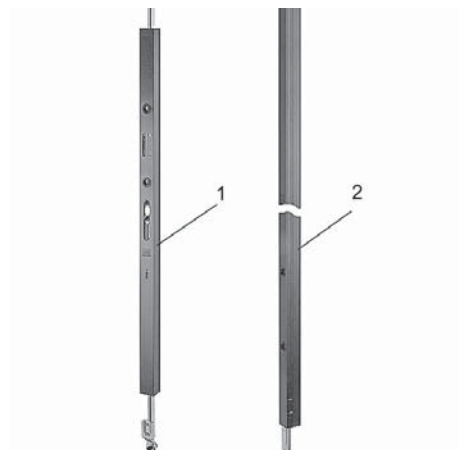
Lock extensions and covers

ALUMINIUM SILVER

1	500 mm	Extension	G00732.00.01	1	1
2	1000 mm	Cover	G00732.01.01	1	1

ALUMINIUM BROWN

1	500 mm	Extension	G00732.00.02	1	1
2	1000 mm	Cover	G00732.01.02	1	1



Bogies and corner drives kit 300 Kg

● G00103.00.00	1	1
----------------	---	---



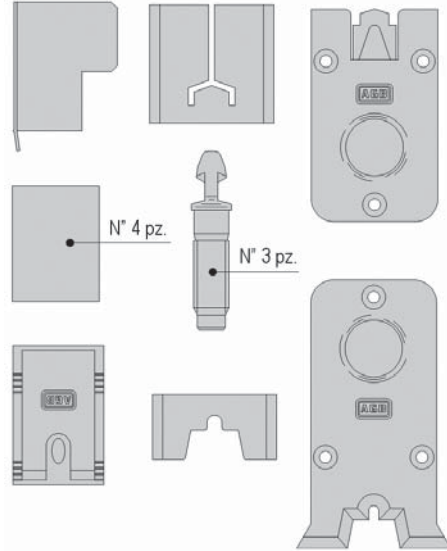


Lift & Slide - Basic



Connecting rod

Length	900	SRW up to 1500 mm	G40729.00.01	1	1
	1400	SRW up to 2000 mm	G40729.00.02	1	1
	1800	SRW up to 2500 mm	G40729.00.03	1	1
	2600	SRW up to 3000 mm	G40729.00.04	1	1



Universal caps kit 300 Kg

GRAY RAL 7035	● G00203.00.86	1	1
BLACK	● G00203.00.93	1	1



Brush for decompression chamber

BLACK			
1600 mm	● G02002.16.00	5	5
2500 mm	● G02002.25.00	5	5
3100 mm	● G02002.31.00	5	5



Gasket kit for sliding sash

BLACK			
rh	L 1500 x H 2500	● G020DX.04.93	5 5
	L 3000 x H 3000	● G020DX.02.93	5 5
lh	L 1500 x H 2500	● G020SX.04.93	5 5
	L 3000 x H 3000	● G020SX.02.93	5 5



Bottom lateral flexible gasket

1	Prices per metre		
Black	40 m	G00733.01.01	40 40
	200 m	G00733.01.02	200 200



Lift & Slide - Basic



Top flexible gasket

2 Prices per metre				
Black	40 m	G00733.02.01	40	40
	200 m	G00733.02.02	200	200

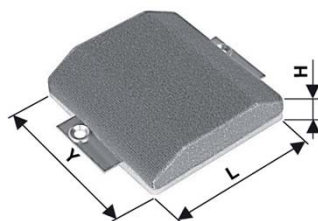
Lower sealing pad

BLACK				
rh		● G02204.DX.00	1	1
lh		● G02204.SX.00	1	1



Upper sealing pad

LXHX Y				
	75X15X75	● G01413.12.75	1	1



Reduced top guide

ALUMINIUM SILVER				
	3000 mm	G01734.01.01	1	1
	4000 mm	G01734.02.01	1	1
	5000 mm	G01734.03.01	1	1
	6000 mm	G01734.04.01	1	1
ALUMINIUM BROWN				
	3000 mm	G01734.01.02	1	1
	4000 mm	G01734.02.02	1	1
	5000 mm	G01734.03.02	1	1
	6000 mm	G01734.04.02	1	1



Low rail

ALUMINIUM SILVER				
	3000 mm	G00738.01.01	1	1
	4000 mm	G00738.02.01	1	1
	6000 mm	G00738.03.01	1	1
ALUMINIUM BROWN				
	3000 mm	G00738.01.02	1	1
	4000 mm	G00738.02.02	1	1
	6000 mm	G00738.03.02	1	1





Lift & Slide - Basic



"C" track

ALUMINIUM SILVER

3000 mm	G01739.01.01	1	1
4000 mm	G01739.02.01	1	1
5000 mm	G01739.03.01	1	1
6000 mm	G01739.04.01	1	1

ALUMINIUM BROWN

3000 mm	G01739.01.02	1	1
4000 mm	G01739.02.02	1	1
5000 mm	G01739.03.02	1	1
6000 mm	G01739.04.02	1	1



Snap-in rail for "C" track

ALUMINIUM SILVER

3000 mm	G02739.01.01	1	1
4000 mm	G02739.02.01	1	1
5000 mm	G02739.03.01	1	1
6000 mm	G02739.04.01	1	1

ALUMINIUM BROWN

3000 mm	G02739.01.02	1	1
4000 mm	G02739.02.02	1	1
5000 mm	G02739.03.02	1	1
6000 mm	G02739.04.02	1	1



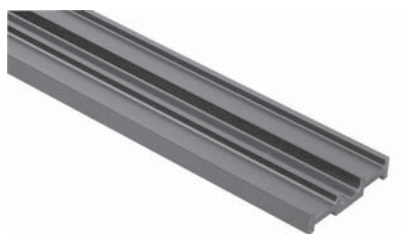
High rail

ALUMINIUM SILVER

3000 mm	G00739.01.01	1	1
4000 mm	G00739.02.01	1	1
6000 mm	G00739.03.01	1	1

ALUMINIUM BROWN

3000 mm	G00739.01.02	1	1
4000 mm	G00739.02.02	1	1
6000 mm	G00739.03.02	1	1



Supporting profile for fixed sash

1500 mm	G00760.00.01	1	40
2000 mm	G00760.00.02	1	40
2500 mm	G00760.00.03	1	40
3000 mm	G00760.00.04	1	40

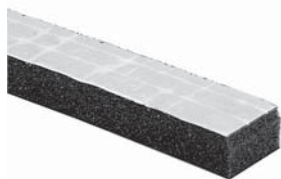


End cap for supporting profile for fixed sash

G00760.00.00	25	25
--------------	----	----



Lift & Slide - Basic



Expanded PVC gasket for rails

Black	20 m	G00733.06.00	20	20
-------	------	--------------	----	----



Door stop (compulsory)

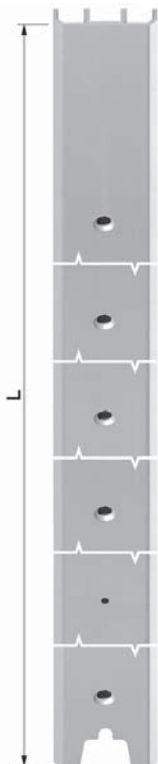
WHITE		G00204.00.91	1	1
GRAY RAL 7035		G00204.00.86	1	1
BLACK		G00204.00.93	1	1



Ventilation striker

Silver		G40728.00.06	1	1
Bichromated*		G00728.00.06	1	1

* Stock exhaustion

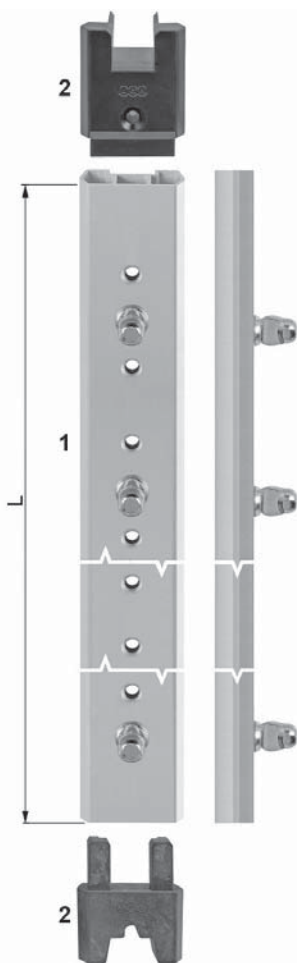


Locking profile for side point system

ALUMINIUM SILVER		SH		
GR 0	L 1800	800-1800	G00757.00.01	1 1
GR 1	L 2900	1770-2900	G00757.01.01	1 1
ALUMINIUM BROWN		SH		
GR 0	L 1800	800-1800	G00757.00.02	1 1
GR 1	L 2900	1770-2900	G00757.01.02	1 1



Lift & Slide - Basic

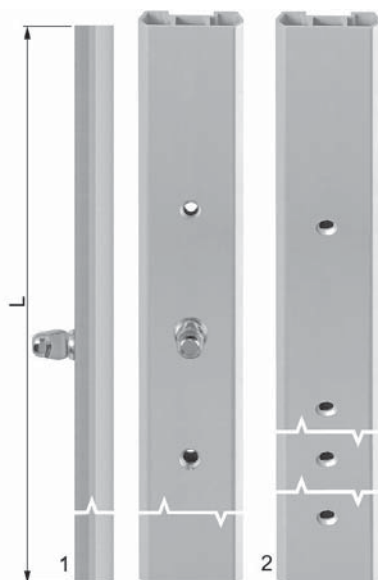


1 Locking profile for coaxial sashes with caps

ALUMINIUM SILVER		SH			
GR 1	L 1125	800-1200	G01757.01.01	1	1
GR 2	L 1725	1170-1800	G01757.02.01	1	1
GR 3	L 2075	1770-2150	G01757.03.01	1	1
GR 4	L 2325	1920-2400	G01757.04.01	1	1
ALUMINIUM BROWN		SH			
GR 1	L 1125	800-1200	G01757.01.02	1	1
GR 2	L 1725	1170-1800	G01757.02.02	1	1
GR 3	L 2075	1770-2150	G01757.03.02	1	1
GR 4	L 2325	1920-2400	G01757.04.02	1	1

2 Sealing fillers Kit for replacement

			G01757.96.00	1	50
--	--	--	--------------	---	----



Extension with locking pins for coaxial sashes

ALUMINIUM SILVER					
1	500 mm	With locking pin	G01757.97.01	1	1
2	1000 mm	Cover profile	G01757.00.01	1	1
ALUMINIUM BROWN					
1	500 mm	With locking pin	G01757.97.02	1	1
2	1000 mm	Cover profile	G01757.00.02	1	1

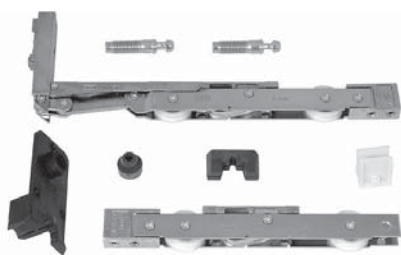


Top corner connection kit

			G00728.00.23	1	1
--	--	--	--------------	---	---



Basic kit - Carriages



Basic kit - 150 kg.

	G00731.01.15	1	1
Content: 150 kg front bogie (1 pc.)			
150 kg rear bogie (1 pc.)			
150 kg connecting link rod guide (1 pc.)			
locking pins M12 for timber (2 pc.)			
End filler for rail(1 pc.)			
Bottom end cap with bumper (1 pc)			
* Stock exhaustion			



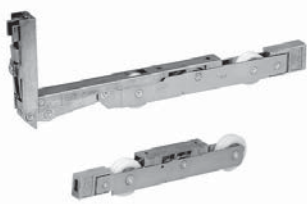
Kit for reduced and high top guides

	G00758.01.68	1	1
Content: End cap for lock (1 pc)			
End filler for top guide (1 pc)			
Top end cap with bumper (1 pc)			
* Stock exhaustion			



Carriages basic kit - 300 kg
SILVER FINISH

	● G00103.00.00	1	1
--	----------------	---	---

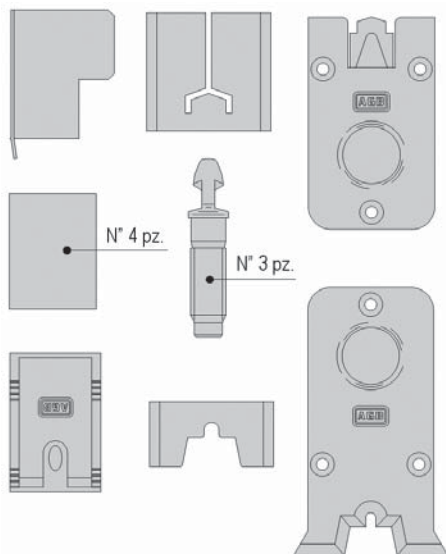


Carriages basic kit - 150 kg
SILVER FINISH

	● G00102.00.00	1	1
--	----------------	---	---



Basic kit - Carriages

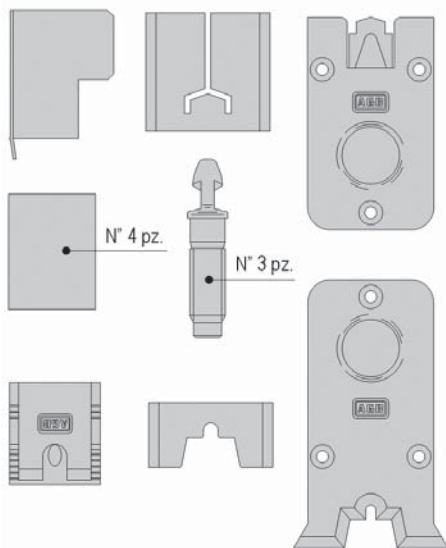


Universal caps kit 300 Kg
BLACK

● G00203.00.93 1 1

GRAY RAL. 7035

● G00203.00.86 1 1



Universal caps kit 150 Kg
BLACK

● G00203.00.93 1 1

GRAY RAL 7035

● G00202.00.86 1 1



Basic kit - 300 kg. - PVC and Aluminium profiles

G00103.xx.00 1 1

NB: ask to AGB Sale dept. for hte list of available profiles

Connecting rod

Length	900	SRW up to 1500 mm	G40729.00.01	1	1
	1400	SRW up to 2000 mm	G40729.00.02	1	1
	1800	SRW up to 2500 mm	G40729.00.03	1	1
	2600	SRW up to 3000 mm	G40729.00.04	1	1



Locks and extensions

Locks

ALUMINIUM SILVER

Backset 27,5	800-1200	H man. 400/410	G00727.01.01	1	1
	1170-1800	H man. 400/410	G00727.02.01	1	1
	1770-2150	H man. 1000/1010	G00727.03.01	1	1
	1920-2400	H man. 1000/1010	G00727.04.01	1	1
Backset 37,5	800-1200	H man. 400/410	G00737.01.01	1	1
	1170-1800	H man. 400/410	G00737.02.01	1	1
	1770-2150	H man. 1000/1010	G00737.03.01	1	1
	1920-2400	H man. 1000/1010	G00737.04.01	1	1

ALUMINIUM BROWN

Backset 27,5	800-1200	H man. 400/410	G00727.01.02	1	1
	1170-1800	H man. 400/410	G00727.02.02	1	1
	1770-2150	H man. 1000/1010	G00727.03.02	1	1
	1920-2400	H man. 1000/1010	G00727.04.02	1	1
Backset 37,5	800-1200	H man. 400/410	G00737.01.02	1	1
	1170-1800	H man. 400/410	G00737.02.02	1	1
	1770-2150	H man. 1000/1010	G00737.03.02	1	1
	1920-2400	H man. 1000/1010	G00737.04.02	1	1



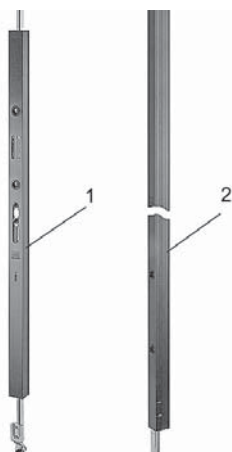
Lock extensions and covers

ALUMINIUM SILVER

1	500 mm	Extension	G00732.00.01	1	1
2	1000 mm	Cover	G00732.01.01	1	1

ALUMINIUM BROWN

1	500 mm	Extension	G00732.00.02	1	1
2	1000 mm	Cover	G00732.01.02	1	1

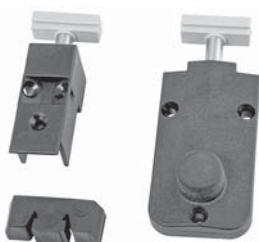


Top guide Kit - components

Kit for "C" track - 56-68 mm thickness

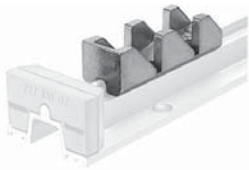
G00758.02.68	1	1
--------------	---	---

Content: Front glider with cap (1 pc.)
Rear glider with bumper (1 pc.)
End buffer for "C" track (1 pc.)





Accessories



Ventilation striker

Silver	G40728.00.06	1	1
Bichromated*	G00728.00.06	1	1
* Stock exhaustion			



Lift-lock screw

Silver	G40728.00.20	1	1
Bichromated*	G00728.00.20	1	1
* Stock exhaustion			



Front carriage - 300 kg

G01503.01.00	1	1
--------------	---	---



Rear carriage - 300 kg

G01504.01.00	1	1
--------------	---	---



Front carriage - 150 kg

Front	G00730.00.01	1	1
-------	--------------	---	---



Rear carriage - 150 kg

Back	G00730.00.02	1	1
------	--------------	---	---



Connecting rod guide - 300 kg.

G00728.00.12	1	1
--------------	---	---

Connecting rod guide - 150 kg.

G00728.00.29	1	1
--------------	---	---



Guide for sliding rod, aluminium profiles

G00728.00.41	20	20
--------------	----	----



Accessories



Bottom end cap with bumper - 300 kg.

G00728.00.11	1	1
--------------	---	---



Bottom end cap with bumper - 150 kg.

G00728.00.32	1	1
--------------	---	---



Top end cap with bumper

G00728.00.09	1	1
--------------	---	---



End cap for lock

G00728.00.05	1	1
--------------	---	---



Bottom end cap with bumper

G00728.00.34	1	1
--------------	---	---



End filler for bottom rail

G00728.00.07	1	500
--------------	---	-----



End filler for reduced and high top guides

G00728.00.04	1	1
--------------	---	---



Accessories



Sealing pad for high and low rails

5 mm	G00728.00.24	20	200
------	--------------	----	-----



Brush insulating strip, for reduced guide

G00728.12.15	1	5
--------------	---	---

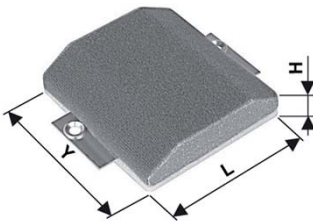
* Stock exhaustion



Shim for brush insulating strip for high top guide

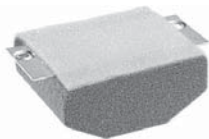
G00728.27.00	1	50
--------------	---	----

* Stock exhaustion



Sealing pad for low guide

● G01413.12.75	1	1
----------------	---	---



Top insulating pad

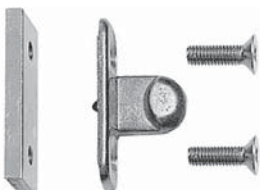
56 mm	G00728.00.30	1	1
68 mm	G00728.00.15	1	1
78 mm	G00728.00.42	1	1



Locking pin

Bichromated*	Timber	G00728.00.03	1	1
	Pvc-Aluminium	G00728.00.02	1	1
Silver	Timber	G40728.00.03	1	1
	Pvc-Aluminium	G40728.00.02	1	1

* Stock exhaustion



Sash/sash (coaxial) pin

Bichromated*	G00728.00.17	1	1
Silver finish	● G40728.00.17	1	1

* Stock exhaustion



Accessories



Pin on plate with screws

● G00728.10.15	1	20
----------------	---	----



Anti-burglar locking pin

Silver	G40728.00.33	1	1
--------	--------------	---	---



Anti-burglar sash/sash (coaxial) pin STEEL SILVER

G00759.02.15	1	1
--------------	---	---



Door stop WHITE

G00204.00.91	1	1
--------------	---	---

GRAY RAL 7035		
---------------	--	--

G00204.00.86	1	1
--------------	---	---

BLACK		
-------	--	--

G00204.00.93	1	1
--------------	---	---



Top corner connection kit

G00728.00.23	1	1
--------------	---	---



Top guides



Reduced top guide

ALUMINIUM SILVER

3000 mm	G01734.01.01	1	1
4000 mm	G01734.02.01	1	1
5000 mm	G01734.03.01	1	1
6000 mm	G01734.04.01	1	1

ALUMINIUM BROWN

3000 mm	G01734.01.02	1	1
4000 mm	G01734.02.02	1	1
5000 mm	G01734.03.02	1	1
6000 mm	G01734.04.02	1	1



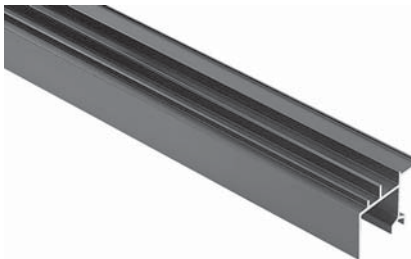
High top guide

ALUMINIUM SILVER

3000 mm	G00734.01.01	1	1
4000 mm	G00734.02.01	1	1
6000 mm	G00734.03.01	1	1

ALUMINIUM BROWN

3000 mm	G00734.01.02	1	1
4000 mm	G00734.02.02	1	1
6000 mm	G00734.03.02	1	1



High top guide with covering contour, 56-64 mm thick. (stock exhaust.)

ALUMINIUM SILVER

3000 mm	G00735.01.01	1	1
4000 mm	G00735.02.01	1	1
6000 mm	G00735.03.01	1	1

ALUMINIUM BROWN

3000 mm	G00735.01.02	1	1
4000 mm	G00735.02.02	1	1
6000 mm	G00735.03.02	1	1

High top guide with covering contour for 65-74 mm thickness

ALUMINIUM SILVER

3000 mm	G00736.01.01	1	1
4000 mm	G00736.02.01	1	1
6000 mm	G00736.03.01	1	1

ALUMINIUM BROWN

3000 mm	G00736.01.02	1	1
4000 mm	G00736.02.02	1	1
6000 mm	G00736.03.02	1	1



"C" Track

ALUMINIUM SILVER

3000 mm	G01739.01.01	1	1
4000 mm	G01739.02.01	1	1
5000 mm	G01739.03.01	1	1
6000 mm	G01739.04.01	1	1

ALUMINIUM BROWN

3000 mm	G01739.01.02	1	1
4000 mm	G01739.02.02	1	1
5000 mm	G01739.03.02	1	1
6000 mm	G01739.04.02	1	1



Rails



"C" track

ALUMINIUM SILVER

3000 mm	G01739.01.01	1	1
4000 mm	G01739.02.01	1	1
5000 mm	G01739.03.01	1	1
6000 mm	G01739.04.01	1	1

ALUMINIUM BROWN

3000 mm	G01739.01.02	1	1
4000 mm	G01739.02.02	1	1
5000 mm	G01739.03.02	1	1
6000 mm	G01739.04.02	1	1



Snap-in rail for "C" track

ALUMINIUM SILVER

3000 mm	G02739.01.01	1	1
4000 mm	G02739.02.01	1	1
5000 mm	G02739.03.01	1	1
6000 mm	G02739.04.01	1	1

ALUMINIUM BROWN

3000 mm	G02739.01.02	1	1
4000 mm	G02739.02.02	1	1
5000 mm	G02739.03.02	1	1
6000 mm	G02739.04.02	1	1



High track with removable stainless steel rail

ALUMINIUM SILVER

3000 mm *	G03739.01.01	1	1
4000 mm *	G03739.02.01	1	1
6000 mm *	G03739.04.01	1	1

ALUMINIUM BROWN

4000 mm *	G03739.02.02	1	1
6000 mm *	G03739.04.02	1	1

* Stock exhaustion



Low rail

ALUMINIUM SILVER

3000 mm	G00738.01.01	1	1
4000 mm	G00738.02.01	1	1
6000 mm	G00738.03.01	1	1

ALUMINIUM BROWN

3000 mm	G00738.01.02	1	1
4000 mm	G00738.02.02	1	1
6000 mm	G00738.03.02	1	1



Rails



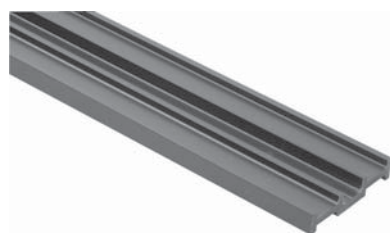
High rail

ALUMINIUM SILVER

3000 mm	G00739.01.01	1	1
4000 mm	G00739.02.01	1	1
6000 mm	G00739.03.01	1	1

ALUMINIUM BROWN

3000 mm	G00739.01.02	1	1
4000 mm	G00739.02.02	1	1
6000 mm	G00739.03.02	1	1



Supporting profile for fixed sash

1500 mm	G00760.00.01	1	40
2000 mm	G00760.00.02	1	40
2500 mm	G00760.00.03	1	40
3000 mm	G00760.00.04	1	40



End cap for supporting profile for fixed sash

G00760.00.00	25	25
--------------	----	----



Low cover threshold with thermal brake



Low cover threshold with thermal brake

ALUMINIUM SILVER

3000 mm	G01741.01.01	1	1
4000 mm	G01741.02.01	1	1
5000 mm	G01741.03.01	1	1
6000 mm	G01741.04.01	1	1

ALUMINIUM BROWN

3000 mm	G01741.01.02	1	1
4000 mm	G01741.02.02	1	1
5000 mm	G01741.03.02	1	1
6000 mm	G01741.04.02	1	1

NB: The cover does not include the releasing rail which has to be ordered separately



"C" track for 2nd sliding sash on low cover threshold

ALUMINIUM SILVER

3000 mm	G01743.01.01	1	1
4000 mm	G01743.02.01	1	1
5000 mm	G01743.03.01	1	1
6000 mm	G01743.04.01	1	1

ALUMINIUM BROWN

3000 mm	G01743.01.02	1	1
4000 mm	G01743.02.02	1	1
5000 mm	G01743.03.02	1	1
6000 mm	G01743.04.02	1	1

NB: The rail does not include the releasing rail which has to be ordered separately



Snap-in rail

ALUMINIUM SILVER

3000 mm	G02739.01.01	1	1
4000 mm	G02739.02.01	1	1
5000 mm	G02739.03.01	1	1
6000 mm	G02739.04.01	1	1

ALUMINIUM BROWN

3000 mm	G02739.01.02	1	1
4000 mm	G02739.02.02	1	1
5000 mm	G02739.03.02	1	1
6000 mm	G02739.04.02	1	1



Pvc supporting profile for fixed sash on low cover threshold

1500 mm	G01742.01.00	1	1
2000 mm	G01742.02.00	1	1
2500 mm	G01742.03.00	1	1
3000 mm	G01742.04.00	1	1



Low cover threshold with thermal brake

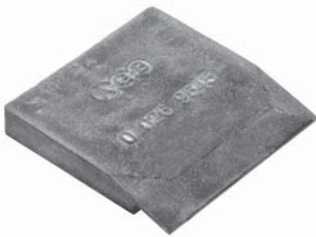
End cap for supporting profile, non handed, for low cover threshold

G00728.01.31	25	25
--------------	----	----



Sealing pad, for low cover threshold

56 mm	G01728.00.22	1	1
68 mm	G01728.00.21	1	1



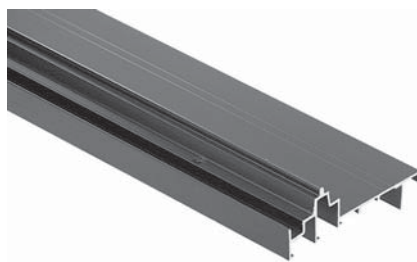
Corner connection for low cover threshold

G01728.00.27	1	1
--------------	---	---





High cover threshold and sill



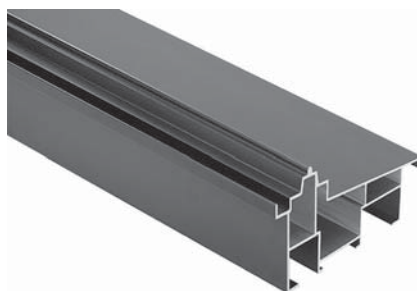
High cover threshold, height 37 mm (stock exhaustion)

ALUMINIUM SILVER

3000 mm	G00741.01.01	1	1
4000 mm	G00741.02.01	1	1
6000 mm	G00741.03.01	1	1

ALUMINIUM BROWN

3000 mm	G00741.01.02	1	1
4000 mm	G00741.02.02	1	1
6000 mm	G00741.03.02	1	1



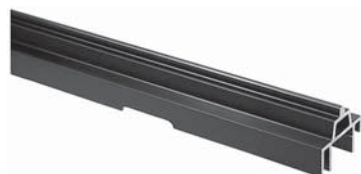
High tubular sill (stock exhaustion)

ALUMINIUM SILVER

3000 mm	G00740.01.01	1	1
4000 mm	G00740.02.01	1	1
6000 mm	G00740.03.01	1	1

ALUMINIUM BROWN

3000 mm	G00740.01.02	1	1
4000 mm	G00740.02.02	1	1
6000 mm	G00740.03.02	1	1



Rail for second sliding sash (stock exhaustion)

ALUMINIUM SILVER

3000 mm	G00743.01.01	1	1
4000 mm	G00743.02.01	1	1
6000 mm	G00743.03.01	1	1

ALUMINIUM BROWN

3000 mm	G00743.01.02	1	1
4000 mm	G00743.02.02	1	1
6000 mm	G00743.03.02	1	1



Supporting block for rail G00743 (stock exhaustion)

G00728.00.01	1	1
--------------	---	---



Supporting profile for fixed sash (stock exhaustion)

1500 mm	G00742.00.01	1	1
2000 mm	G00742.00.02	1	1
3000 mm	G00742.00.03	1	1



High cover threshold and sill



End cap for supporting profile (stock exhaustion)

	G00728.00.31	1	1



Sealing pad, for cover threshold and sill (stock exhaustion)

56 mm	G00728.00.22	1	1
68 mm	G00728.00.21	1	1



Corner connection for sill (stock exhaustion)

	G00728.00.27	1	1



Complementary profiles



Anti-burglar central lock

ALUMINIUM SILVER

3000 mm	G00756.04.01	1	1
---------	--------------	---	---

ALUMINIUM BROWN

3000 mm	G00756.04.02	1	1	1
---------	--------------	---	---	---



Tappo nero superiore per nodo centrale 10 mm

G00756.00.93	2	30
--------------	---	----

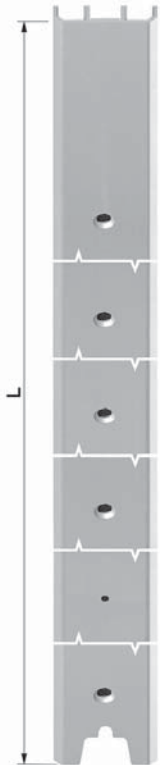
Locking profile for side point system

ALUMINIUM SILVER SH

GR 0	L 1800	800-1800	G00757.00.01	1	1
GR 1	L 2900	1770-2900	G00757.01.01	1	1

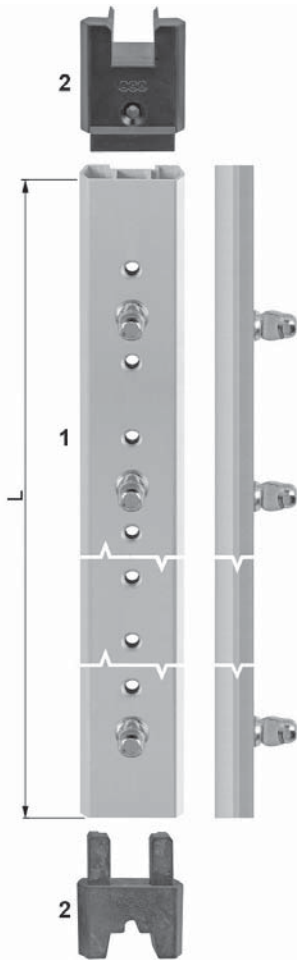
ALUMINIUM BROWN SH

GR 0	L 1800	800-1800	G00757.00.02	1	1
GR 1	L 2900	1770-2900	G00757.01.02	1	1





Complementary profiles

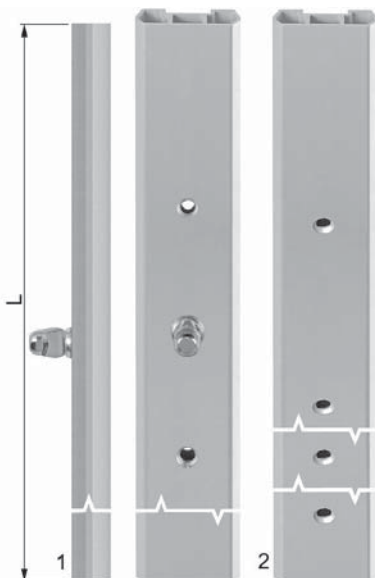


1 Locking profile for coaxial sashes with caps

ALUMINIUM SILVER		SH			
GR 1	L 1125	800-1200	G01757.01.01	1	1
GR 2	L 1725	1170-1800	G01757.02.01	1	1
GR 3	L 2075	1770-2150	G01757.03.01	1	1
GR 4	L 2325	1920-2400	G01757.04.01	1	1
ALUMINIUM BROWN		SH			
GR 1	L 1125	800-1200	G01757.01.02	1	1
GR 2	L 1725	1170-1800	G01757.02.02	1	1
GR 3	L 2075	1770-2150	G01757.03.02	1	1
GR 4	L 2325	1920-2400	G01757.04.02	1	1

2 Sealing fillers Kit for replacement

			G01757.96.00	1	50
--	--	--	--------------	---	----



Extension with locking pins for coaxial sashes

ALUMINIUM SILVER					
1	500 mm	With locking pin	G01757.97.01	1	1
2	1000 mm	Cover profile	G01757.00.01	1	1
ALUMINIUM BROWN					
1	500 mm	With locking pin	G01757.97.02	1	1
2	1000 mm	Cover profile	G01757.00.02	1	1



Gaskets



Bottom lateral flexible gasket

1 Prices per metre				
Black	40 m	G00733.01.01	40	40
	200 m	G00733.01.02	200	200

Bottom lateral flexible gasket (elaprene)

1 Prices per metre				
Black	40 m	G00733.04.01	40	40
	200 m	G00733.04.02	200	200
White	40 m	G00733.11.01	40	40



Top flexible gasket

2 Prices per metre				
Black	40 m	G00733.02.01	40	40
	200 m	G00733.02.02	200	200

Top flexible gasket (elaprene)

2 Prices per metre				
Black	40 m	G00733.05.01	40	40
	200 m	G00733.05.02	200	200
White	40 m	G00733.12.01	40	40



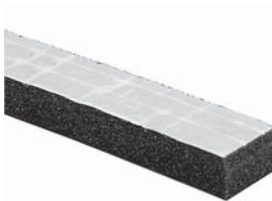
EPDM Gasket for "C" track

3 Prices per metre				
Black	100 m	G00733.07.01	100	100



Gasket for rail G00743 (stock exhaustion)

Prices per metre				
Black	2 m	G00733.03.02	2	2
	3 m	G00733.03.03	3	3



Neoprene gasket for rails

Prices per metre				
Black	20 m	G00733.06.00	20	20



Handles



Handle and external pull

ALUMINIUM

Silver	G00744.01.01	1	1
Electrocolour	G00744.01.02	1	1

BRASS

Anthracite	G00745.01.07	1	1
Enam. polished	G00745.01.10	1	1



Handle with cylinder hole and external pull

ALUMINIUM

Silver	G00744.02.01	1	1
Electrocolour	G00744.02.02	1	1

BRASS

Anthracite	G00745.02.07	1	1
Enam. polished	G00745.02.10	1	1



Internal/external handle

ALUMINIUM

Silver	G00744.03.01	1	1
Electrocolour	G00744.03.02	1	1

BRASS

Anthracite	G00745.03.07	1	1
Enam. polished	G00745.03.10	1	1



Short handle for window

ALUMINIUM

Silver	G00744.04.01	1	1
Electrocolour	G00744.04.02	1	1

BRASS

Enam. polished	G00745.04.10	1	1
----------------	--------------	---	---



Handles



Cover plate for handle

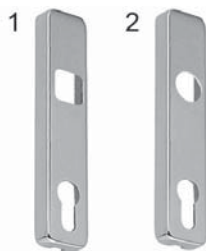
ALUMINIUM

1	Silver*	G00747.00.01	1	1
	Electrocolour*	G00747.00.02	1	1
2	Silver	● G00747.01.01	1	1
	Electrocolour	● G00747.01.02	1	1

BRASS

2	Anthracite	G00748.00.07	1	1
	Enam. polished	G00748.00.10	1	1

* Stock exhaustion



Cover plate with cylinder hole for handle

ALUMINIUM

1	Silver*	G00750.00.01	1	1
	Electrocolour*	G00750.00.02	1	1
2	Silver	● G00750.01.01	1	1
	Electrocolour	● G00750.01.02	1	1

BRASS

2	Anthracite	G00751.00.07	1	1
	Enam. polished	G00751.00.10	1	1

* Stock exhaustion



Plate for short handle fixing

STEEL

G00754.00.04 1 25



Pull handle

ALUMINIUM

Silver	G00752.00.01	1	1
Electrocolour	G00752.00.02	1	1

BRASS

Anthracite	G00753.00.07	1	1
Enam. polished	G00753.00.10	1	1



Jigs

For lock holes



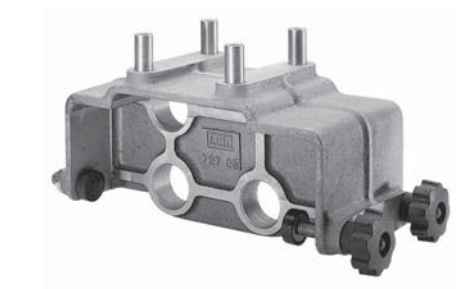
G00746.00.01	1	1
--------------	---	---

For sill



G00746.00.02	1	1
--------------	---	---

For top corner connection



G00746.00.03	1	1
--------------	---	---

For ventilation striker



G00746.00.04	1	1
--------------	---	---

For locking pins



G00746.00.05	1	1
--------------	---	---

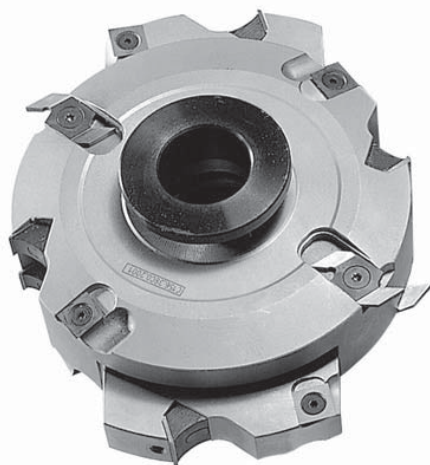


Jigs



Hook for locking pins

G00746.00.06	1	1
--------------	---	---



Milling cutter for wood profiling

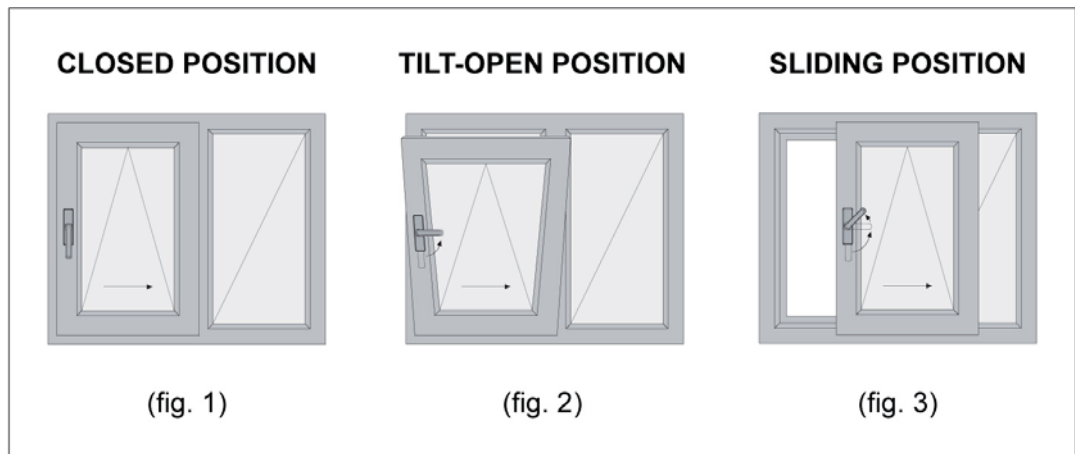
ø 40 mm	with adapter ø 35	G00749.00.01	1	1
ø 50 mm	with adapter ø 40	G00749.00.02	1	1

Kit of blades for milling cutter

G00749.00.03	1	1
--------------	---	---



Functionalities of coplanar sliding systems GALILEO



<p>AUTOMATIC GALILEO</p>	<p>All functions are activated automatically by the operating handle: closing (fig. 1), tilt position (fig. 2) sliding position (fig. 3)</p>
<p>SEMI-AUTOMATIC GALILEO</p>	<p>In order to reach the closing position (fig. 1), the DK handle must be rotated downwards up to the vertical position only after pushing the sash in closing position. The automatic hooking of the lower corner drives allow to automatically position the sash on tilt (fig. 2). To reach the sliding position (fig. 3) the handle must be rotated upwards up to the vertical position first in order to allow the un-hooking of the corner drives and then be rotated up to the horizontal position to drag the sash.</p>
<p>MANUAL COMMAND GALILEO</p>	<p>In order to reach the closing position (fig. 1), the DK handle must be rotated downwards up to the vertical position only after pushing the sash in closing position. The tilt position (fig 2) is reached by pushing the sash towards the frame and then rotating the handle upwards up to the vertical position. To reach the sliding position (fig. 3) the handle must be rotated until horizontal position in order to un-hook the corner drives and to drag the sash.</p>



Galileo system - Hardware for left sash



A Central-control handle kit

M02020.01.XX rh aluminium
 M02020.02.XX lh aluminium
 M02120.01.10 rh brass enamelled polished
 M02120.02.10 lh brass enamelled polished

B Horizontal connection kit

M42023.00.00 - SRW = 720-1035
 M42023.00.01 - SRW = 1036-1260
 M42023.00.02 - SRW = 1261-1510
 M42023.00.03 - SRW = 1511-1760

C Bogie and corner drives kit

M42021.08.01 rh
 M42021.08.02 lh
 M42021.10.01 rh
 M42021.10.02 lh

D Vertical connection kit

M42024.00.01 - SRH = 835-1160
 M42024.00.02 - SRH = 1161-1410
 M42024.00.03 - SRH = 1411-1660

M42024.00.04 - SRH = 1661-1910

M42024.00.05 - SRH = 1745-1995
 M42024.00.06 - SRH = 1900-2150
 M42024.00.07 - SRH = 2151-2400

E Width accessories kit

M02022.01.XX - SRW = 720-1035
 M02022.02.XX - SRW = 1036-1260
 M02022.03.XX - SRW = 1261-1510
 M02022.04.XX - SRW = 1511-1760



Basic kit



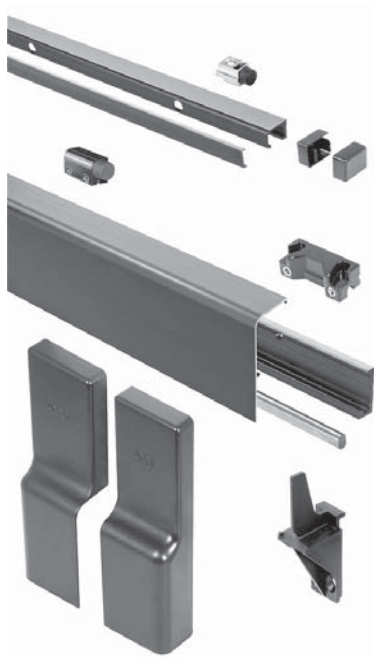
Central-control handle kit for Galileo espagnolette

ALUMINIUM

Silver	rh	M02020.01.01	1	1
	lh	M02020.02.01	1	1
White RAL 9010	rh	M02020.01.91	1	1
	lh	M02020.02.91	1	1
Brown	rh	M02020.01.94	1	1
	lh	M02020.02.94	1	1

BRASS

Enam. polished	rh	M02120.01.10	1	1
	lh	M02120.02.10	1	1



Width accessories kit

WHITE RAL 9010

720-1035	GR 1	M02022.01.91	1	1
1036-1260	GR 2	M02022.02.91	1	1
1261-1510	GR 3	M02022.03.91	1	1
1511-1760	GR 4	M02022.04.91	1	1

BROWN

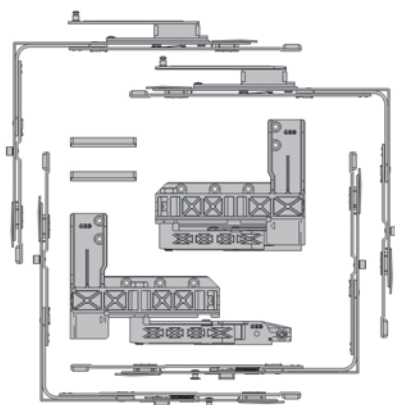
720-1035	GR 1	M02022.01.94	1	1
1036-1260	GR 2	M02022.02.94	1	1
1261-1510	GR 3	M02022.03.94	1	1
1511-1760	GR 4	M02022.04.94	1	1

MATT CHROMIUM PLATED

720-1035	GR 1	M02022.01.34	1	1
1036-1260	GR 2	M02022.02.34	1	1
1261-1510	GR 3	M02022.03.34	1	1
1511-1760	GR 4	M02022.04.34	1	1

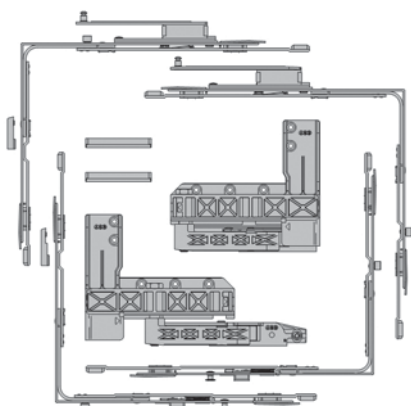


Basic kit



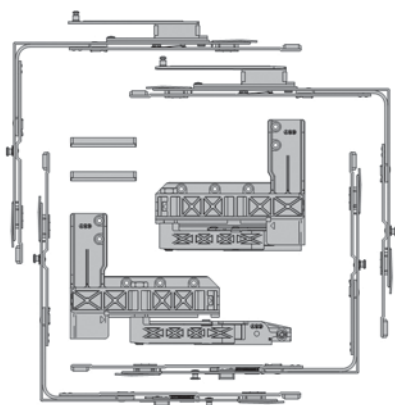
Bogies and corner drives kit

Axis 9	rh	M42021.08.01	1	1
	lh	M42021.08.02	1	1
Axis 13	rh	M42021.10.01	1	1
	lh	M42021.10.02	1	1



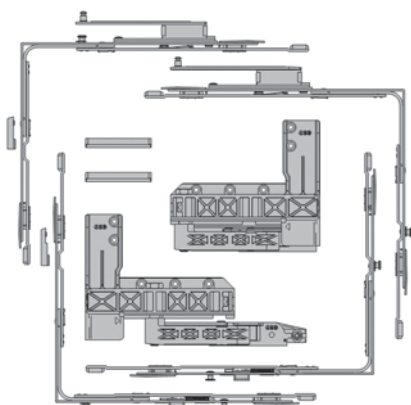
Bogies and corner drives without rear cams kit

Axis 9	rh	M42121.08.01	☎ 1	1
	lh	M42121.08.02	☎ 1	1
Axis 13	rh	M42121.10.01	☎ 1	1
	lh	M42121.10.02	☎ 1	1



Antiburglar bogies and corner drives kit

Axis 9	rh	M42221.08.01	1	1
	lh	M42221.08.02	1	1
Axis 13	rh	M42221.10.01	1	1
	lh	M42221.10.02	1	1

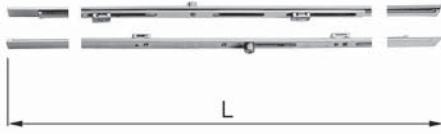


Antiburglar bogies and corner drives without rear cams kit

Axis 9	rh	M42321.08.01	1	1
	lh	M42321.08.02	1	1
Axis 13	rh	M42321.10.01	1	1
	lh	M42321.10.02	1	1

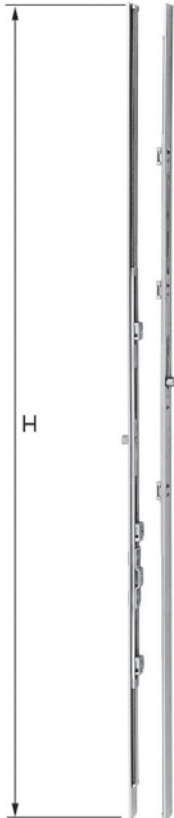


Basic kit



Horizontal connectors kit

	SRH	L				
GR 0	720-1035	415			M42023.00.00	1 1
GR 1	1036-1260	640	1+1		M42023.00.01	1 1
GR 2	1261-1510	890	1+1		M42023.00.02	1 1
GR 3	1511-1760	1140	1+1		M42023.00.03	1 1



Espagnolette and vertical connector kit

SRH	H	H han.	GR	Cam		
835-1160	640	400	1		M42024.00.01	1 1
1161-1410	890	500	2	1+1	M42024.00.02	1 1
1411-1660	1140	500	3	1+1	M42024.00.03	1 1
1661-1910	1390	500	4	1+1	M42024.00.04	1 1
1745-1995	1476	1050	5	2+2	M42024.00.05	1 1
1900-2150	1630	1050	6	2+2	M42024.00.06	1 1
2151-2400	1880	1050	7	2+2	M42024.00.07	1 1

* Handle height 400 - 450 and 500 mm depending on the trimming

Espagnolette without cams and vertical connector

SRH	H	H han.	GR	Cam		
1161-1410		500		1	M42124.00.02	☎ 1 1
1411-1660		500		1	M42124.00.03	☎ 1 1
1661-1910		500		1	M42124.00.04	☎ 1 1
1745-1995		1050		2	M42124.00.05	☎ 1 1
1900-2150		1050		2	M42124.00.06	☎ 1 1
2151-2400		1050		2	M42124.00.07	☎ 1 1



Guide plate for central-control handle

	M42001.00.01	1	200
--	--------------	---	-----



Components

Galileo lock and vertical connector kit

	SRH	GR	Cam			
Backset 40	1660-1910	4	1	M42027.40.04		1 1
	1745-1995	5	2	M42027.40.05		1 1
	1900-2150	6	2	M42027.40.06		1 1
	2150-2400	7	2	M42027.40.07		1 1



Single Handle with cylinder hole for Galileo lock

ALUMINIUM						
Silver				M02020.03.01		1 1
Electrocolour				M02020.03.02		1 1
White RAL 9010				M02020.03.91		1 1
BRASS						
Enam. polished				M02020.03.10		1 1





Components



Double handle (internal/external), for Galileo lock

ALUMINIUM

Silver	rh	M02020.04.01	1	1
	lh	M02020.05.01	1	1
Electrocolour	rh	M02020.04.02	1	1
	lh	M02020.05.02	1	1
White RAL 9010	rh	M02020.04.91	1	1
	lh	M02020.05.91	1	1

NB: Max 90 mm sash thickness

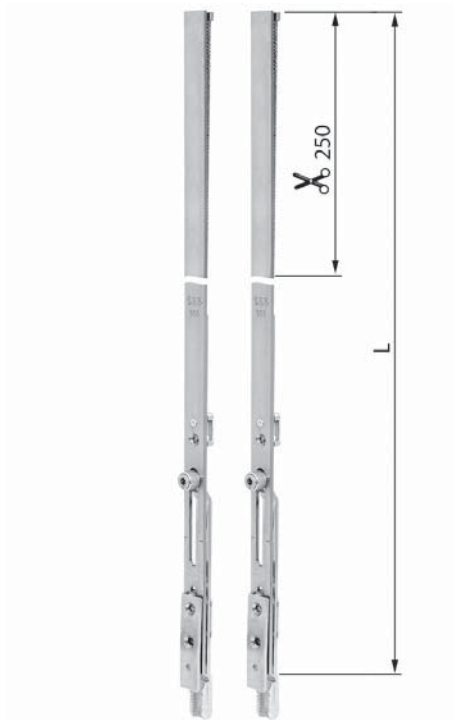


Double handle (internal/external), for Galileo lock

BRASS

Enam. polished	rh	M02120.04.10	1	1
	lh	M02120.05.10	1	1

NB: Max 90 mm sash thickness



Extension kit

In pairs	Length 500	M42026.00.00	1	1
----------	------------	--------------	---	---

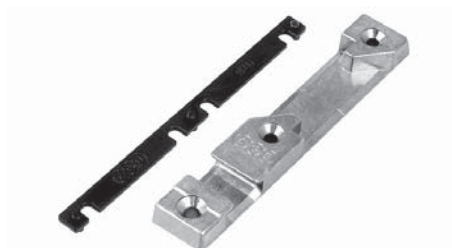


Components



Tilt lock striker - gap 4

18X111X8	rh	M42008.01.01	20	20
	lh	M42009.01.01	20	20



Tilt lock striker - gap 11

17X109X9	rh appl. with shims	M42008.04.01	20	20
	lh appl. with shims	M42009.04.01	20	20



Tilt lock striker - gap 12

17X109X9	rh	M42008.05.01	20	20
	lh	M42009.05.01	20	20
23X109X9	rh Axis 13	M42008.CR.01	20	20
	lh Axis 13	M42009.CR.01	20	20



Tilt lock striker for PVC profile axis 13 mm

23X115X9	rh front - lh rear	● M42017.xx.01	1	10
	rh rear - lh front	● M42017.xx.02	1	10

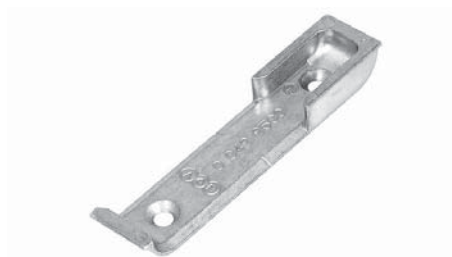
NB: for a list of available profiles please contact AGB sale dept



Adapter for tilt striker on PVC and aluminum profiles axis 9 mm

Ask to AGB Sale dept. for availability	M42017.xx.00	☎	50	50
--	--------------	---	----	----

NB: to use in combination with tilt strikers gap 12 mm M42008.05.01 and M42009.05.01



Cam striker, gap 4

18X82x8	M42008.01.02	20	20
---------	--------------	----	----



Components



Cam striker, gap 12

1 axis 9	17X46X8	A48010.05.02	50	500
2 axis 13	23X46X8,5 reb. 24	A48010.CR.02	50	500



Cam striker, gap 11

15X46X8	8+6 groove	A40017.03.02	50	500
15X46X8	8+7 groove	A40017.04.02	50	500



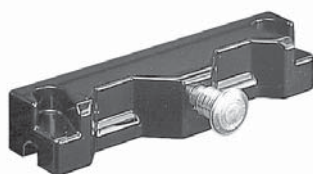
Cam striker, gap 4 surface mounted

18X82x8	surface mounted	A40017.01.10	50	500
---------	-----------------	--------------	----	-----



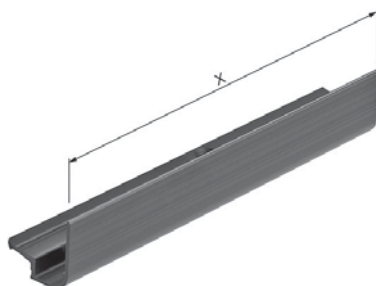
Cam striker for PVC

		Axxxxx.xx.02	☎ 1	1
--	--	--------------	-----	---



Mobile release stop

WHITE RAL 9010		M02011.02.34	1	1
WHITE RAL 9010		M02011.02.91	1	1
BROWN		M02011.02.94	1	1



Stay cover profile

MATT CHROMIUM				
720-1035	X=975	M02014.01.34	1	1
1036-1260	X=1200	M02014.02.34	1	1
1261-1510	X=1450	M02014.03.34	1	1
1511-1760	X=1700	M02014.04.34	1	1
WHITE RAL 9010				
720-1035	X=975	M02014.01.91	☎ 1	1
1036-1260	X=1200	M02014.02.91	☎ 1	1
1261-1510	X=1450	M02014.03.91	☎ 1	1
1511-1760	X=1700	M02014.04.91	☎ 1	1
BROWN				
720-1035	X=975	M02014.01.02	1	1
1036-1260	X=1200	M02014.02.02	1	1
1261-1510	X=1450	M02014.03.02	1	1
1511-1760	X=1700	M02014.04.02	1	1



Components



End caps for stay cover profile

MATT CHROMIUM

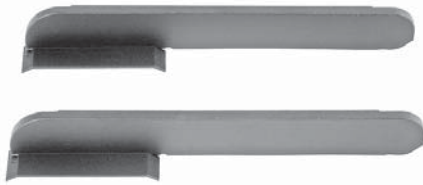
In pairs	M02015.00.34	1	1
----------	--------------	---	---

WHITE RAL 9010

In pairs	M02015.00.91	1	1
----------	--------------	---	---

BROWN

In pairs	M02015.00.93	1	1
----------	--------------	---	---



Stay arm cover

MATT CHROMIUM PLATED

rh sash	M02016.01.34	1	1
---------	--------------	---	---

lh sash	M02016.02.34	1	1
---------	--------------	---	---

WHITE RAL 9010

rh sash	M02016.01.91	1	1
---------	--------------	---	---

lh sash	M02016.02.91	1	1
---------	--------------	---	---

BROWN

rh sash	M02016.01.93	1	1
---------	--------------	---	---

lh sash	M02016.02.93	1	1
---------	--------------	---	---

Accessories



Dk handle with low neck

WHITE RAL 9010

	M02020.11.91	1	1
--	--------------	---	---

ELECTROCOLOUR

	M02020.11.02	1	1
--	--------------	---	---

SILVER

	M02020.11.01	1	1
--	--------------	---	---

GILDED

	M02020.11.31	1	1
--	--------------	---	---

NB: handle design can differ from the drawing



Removable handle

LIGHT BRONZE PLATED

	M02020.14.14	1	1
--	--------------	---	---

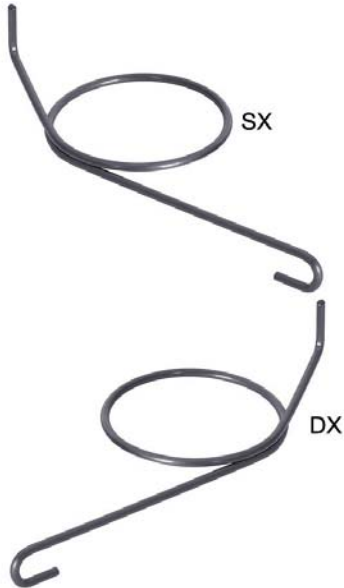


Accessories



Plastic washer with mobile aluminium cover

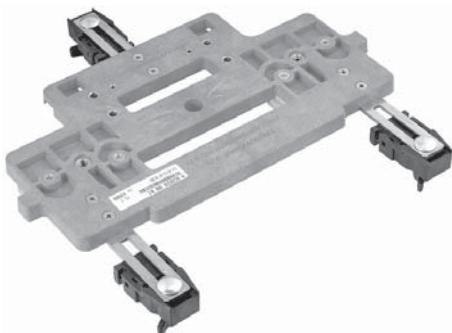
WHITE RAL 9010	M02020.12.91	1	20
ELECTROCOLOUR	M02020.12.02	1	20
SILVER	M02020.12.01	1	20
GILDED	M02020.12.31	1	20



Front bogies spring for replacement

Rh	M02400.00.DX	1	1
Lh	M02400.00.SX	1	1

Jigs

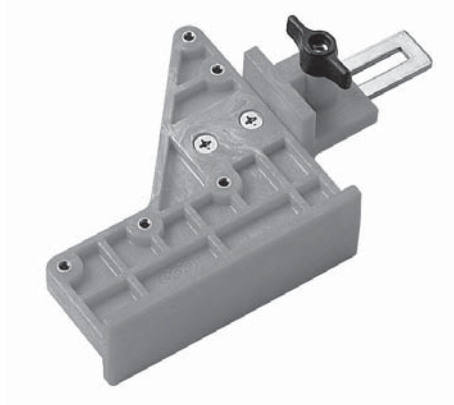


Jig for handle

M02030.00.01	1	1
--------------	---	---

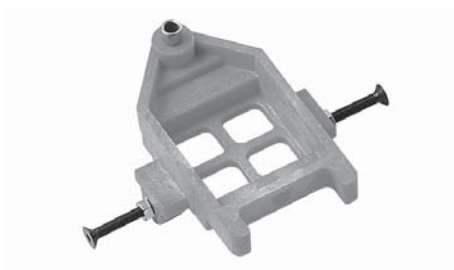


Jigs



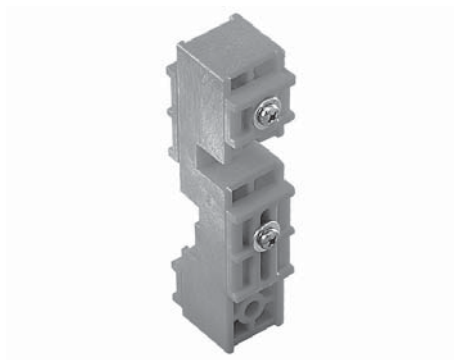
Jig for bogie

M02030.00.02	1	1
--------------	---	---



Jig for release stop

M02030.00.03	1	1
--------------	---	---



Jig for tracks

M02030.00.04	1	1
--------------	---	---

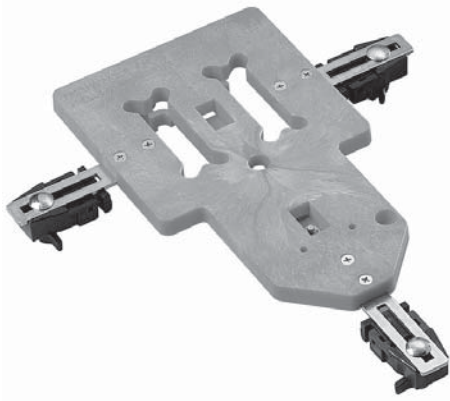


Jig for hole centring

M02030.00.05	1	1
--------------	---	---

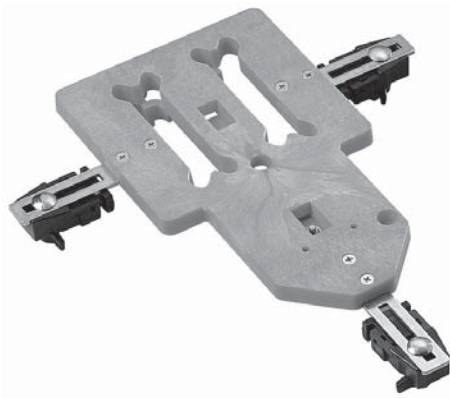


Jigs



Jig for cam striker on corner drive

M02030.01.01	1	1
--------------	---	---



Jig for tilt striker

M02030.01.03	1	1
--------------	---	---



For roller cam and bolt

A20030.01.27	1	1
--------------	---	---



Shim for use of Jig M02030.01.01 on second sash

M02030.01.02	1	1
--------------	---	---

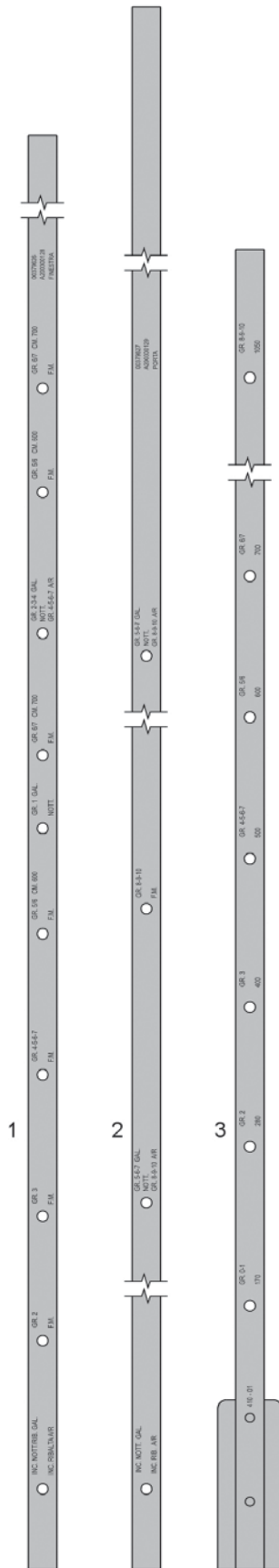


Shim for gap 11, for art. A20030.01.25 jigs

A20030.01.01	1	1
--------------	---	---



Jigs



Jigs rod for window jamb milling

SRH				
1	720-1760	A20030.01.28	1	1

Jigs rod for balcony doors jamb milling

SRH				
2	1745-2400	A20030.01.29	1	1

Jigs rod for lower transom

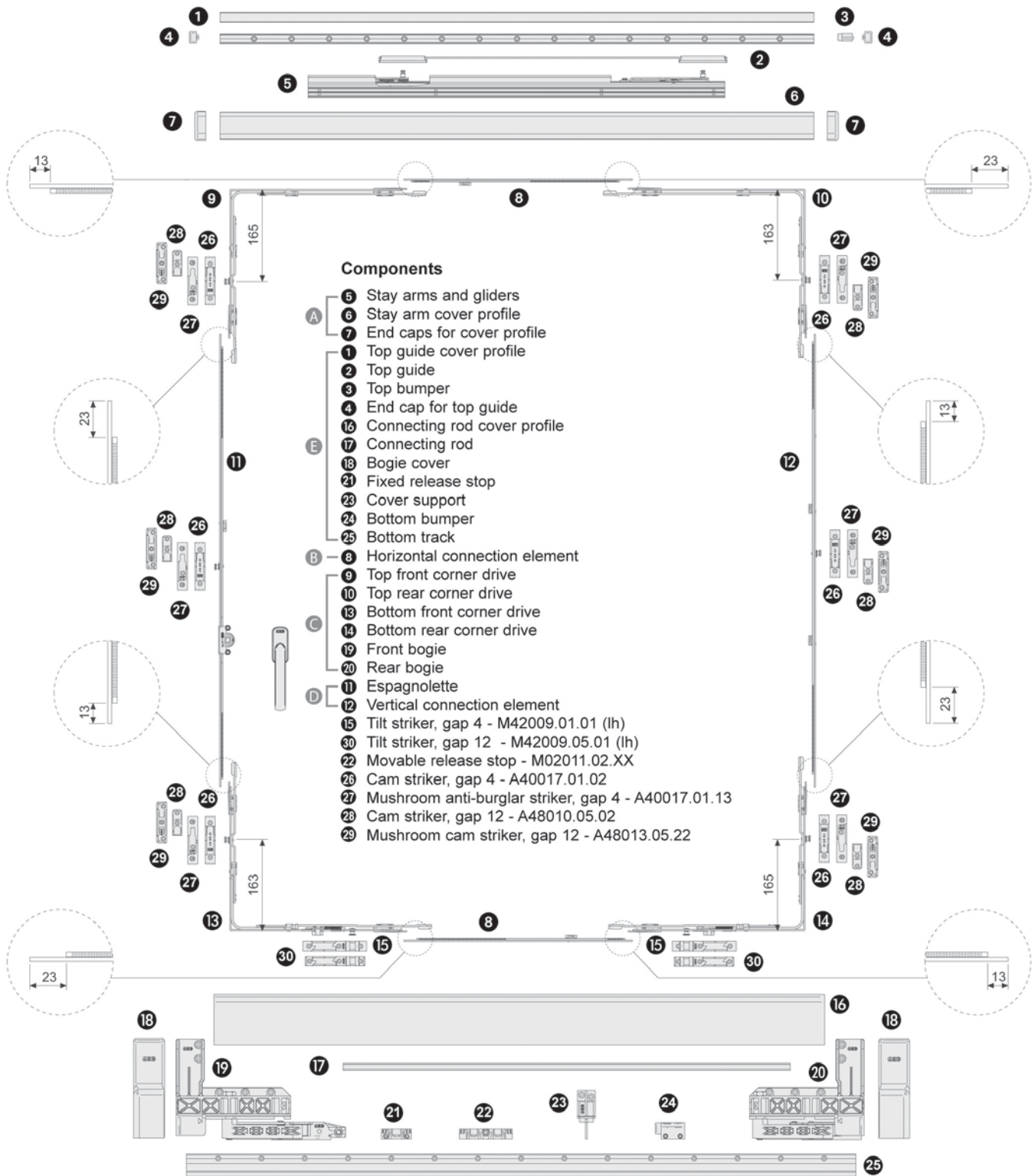
SRH				
1	720-1760	A20030.01.28	1	1

Jigs rod for handle jig

3		A20030.00.00	1	1
---	--	--------------	---	---



Galileo system SA - Hardware for left sash



Components

- 5 Stay arms and gliders
- 6 Stay arm cover profile
- 7 End caps for cover profile
- 1 Top guide cover profile
- 2 Top guide
- 3 Top bumper
- 4 End cap for top guide
- 16 Connecting rod cover profile
- 17 Connecting rod
- 18 Bogie cover
- 21 Fixed release stop
- 23 Cover support
- 24 Bottom bumper
- 25 Bottom track
- 8 Horizontal connection element
- 9 Top front corner drive
- 10 Top rear corner drive
- 13 Bottom front corner drive
- 14 Bottom rear corner drive
- 19 Front bogie
- 20 Rear bogie
- 11 Espagnolette
- 12 Vertical connection element
- 15 Tilt striker, gap 4 - M42009.01.01 (lh)
- 30 Tilt striker, gap 12 - M42009.05.01 (lh)
- 22 Movable release stop - M02011.02.XX
- 26 Cam striker, gap 4 - A40017.01.02
- 27 Mushroom anti-burglar striker, gap 4 - A40017.01.13
- 28 Cam striker, gap 12 - A48010.05.02
- 29 Mushroom cam striker, gap 12 - A48013.05.22

A Stay arm and accessories kit

- M03114.11.XX - SRW = 720-1100
- M03114.12.XX - SRW = 1101-1450
- M03114.13.XX - SRW = 1451-1760

B Horizontal connection kit

- M43023.00.00 - SRW = 720-1035
- M43023.00.01 - SRW = 1036-1260
- M43023.00.02 - SRW = 1261-1510
- M43023.00.03 - SRW = 1511-1760

C Bogie and corner drives kit

- M43021.00.02 lh
- M43021.00.01 rh

D Vertical connection kit

- M43024.15.01 - SRH = 835-1160
- M43024.15.02 - SRH = 1161-1410
- M43024.15.03 - SRH = 1411-1660
- M43024.15.04 - SRH = 1661-1910
- M43024.15.05 - SRH = 1745-1995

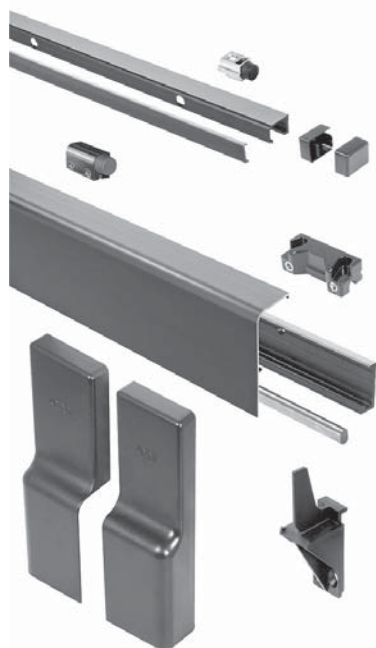
- M43024.15.06 - SRH = 1900-2150
- M43024.15.07 - SRH = 2151-2400

E Width accessories kit

- M02022.01.XX - SRW = 720-1035
- M02022.02.XX - SRW = 1036-1260
- M02022.03.XX - SRW = 1261-1510
- M02022.04.XX - SRW = 1511-1760



Basic kit



Width accessories kit

MATT CHROMIUM PLATED

720-1035	GR 1	M02022.01.34	1	1
1036-1260	GR 2	M02022.02.34	1	1
1261-1510	GR 3	M02022.03.34	1	1
1511-1760	GR 4	M02022.04.34	1	1

WHITE RAL 9010

720-1035	GR 1	M02022.01.91	☎ 1	1
1036-1260	GR 2	M02022.02.91	☎ 1	1
1261-1510	GR 3	M02022.03.91	☎ 1	1
1511-1760	GR 4	M02022.04.91	☎ 1	1

BROWN

720-1035	GR 1	M02022.01.94	1	1
1036-1260	GR 2	M02022.02.94	1	1
1261-1510	GR 3	M02022.03.94	1	1
1511-1760	GR 4	M02022.04.94	1	1



Stay arm and accessories kit

MATT CHROMIUM PLATED

720-1100	GR 1	M03114.11.34	1	1
1101-1450	GR 2	M03114.12.34	1	1
1451-1760	GR 3	M03114.13.34	1	1

WHITE RAL 9010

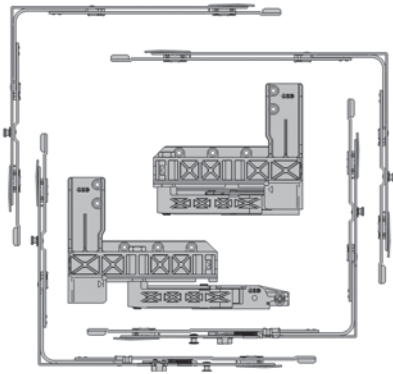
720-1100	GR 1	M03114.11.91	1	1
1101-1450	GR 2	M03114.12.91	1	1
1451-1760	GR 3	M03114.13.91	1	1

BROWN

720-1100	GR 1	M03114.11.94	1	1
1101-1450	GR 2	M03114.12.94	1	1
1451-1760	GR 3	M03114.13.94	1	1

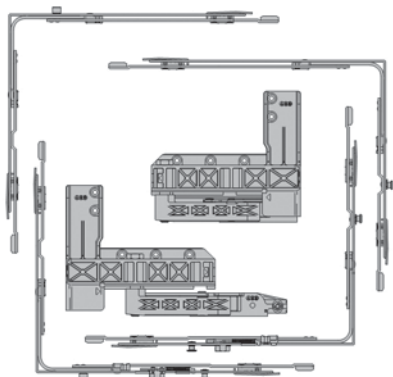


Basic kit



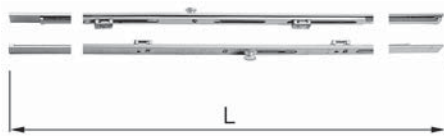
Bogies and corner drives kit

rh	M43021.00.01	1	1
lh	M43021.00.02	1	1



Bogies and corner drives without rear cams kit

rh	M43121.00.01	☎ 1	1
lh	M43121.00.02	☎ 1	1



Horizontal connectors kit

	SRH	L	Cam		
GR 0	720-1035	415		M43023.00.00	1 1
GR 1	1036-1260	640	1+1	M43023.00.01	1 1
GR 2	1261-1510	890	1+1	M43023.00.02	1 1
GR 3	1511-1760	1140	1+1	M43023.00.03	1 1



Basic kit

Espagnolette & vertical connector kit, backset 15

SRH	H	H han.	GR	Cam		
835-1160	640	400	1		M43024.15.01	1 1
1161-1410	890	500	2	1+1	M43024.15.02	1 1
1411-1660	1140	500	3	1+1	M43024.15.03	1 1
1661-1910	1390	500	4	1+1	M43024.15.04	1 1
1745-1995	1476	1050	5	2+2	M43024.15.05	1 1
1900-2150	1630	1050	6	2+2	M43024.15.06	1 1
2151-2400	1880	1050	7	2+2	M43024.15.07	1 1

* Handle height 400 - 450 and 500 mm depending on the trimming





Basic kit

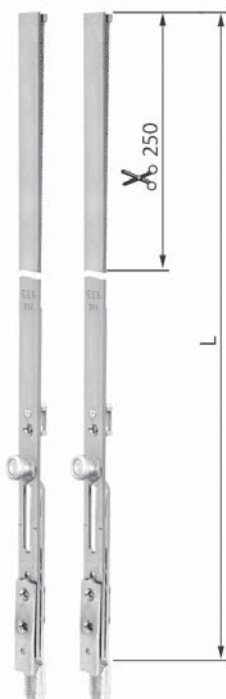
Espagnolette & vertical connector kit, 2nd sash SA

SRH	H	H han.	GR	Cam		
835-1160	640	400	1		M43024.15.01	1 1
1161-1410	890	500	2	0+1	M43124.15.02	☎ 1 1
1411-1660	1140	500	3	0+1	M43124.15.03	☎ 1 1
1661-1910	1390	500	4	0+1	M43124.15.04	☎ 1 1
1745-1995	1476	1050	5	0+2	M43124.15.05	☎ 1 1
1900-2150	1630	1050	6	0+2	M43124.15.06	☎ 1 1
2151-2400	1880	1050	7	0+2	M43124.15.07	☎ 1 1





Components



Extension kit

length 500	M43026.00.00	1	1
------------	--------------	---	---

Tilt lock striker - gap 4

18X111X8	rh	M42008.01.01	20	20
	lh	M42009.01.01	20	20
	rh axis 13	● M42008.DC.01	20	20
	lh axis 13	● M42009.DC.01	20	20

Tilt lock striker - gap 11

17X109X9	rh appl. with shims	M42008.04.01	20	20
	lh appl. with shims	M42009.04.01	20	20

Tilt lock striker - gap 12

17X109X9	rh	M42008.05.01	20	20
	lh	M42009.05.01	20	20
23X109X9	rh Axis 13	M42008.CR.01	20	20
	lh Axis 13	M42009.CR.01	20	20



Components



Tilt lock striker for PVC profile axis 13 mm

23X115X9	rh front - lh rear	● M42017.xx.01	1	10
	rh rear - lh front	● M42017.xx.02	1	10

NB: for a list of available profiles please contact AGB sale dept



Adapter for tilt striker on PVC and aluminum profiles axis 9 mm

Ask to AGB Sale dept. for availability M42017.xx.00 ☎ 50 50

NB: to use in combination with tilt strikers gap 12 mm M42008.05.01 and M42009.05.01



Cam striker, gap 4

18X82x8	axis 9	A40017.01.02	50	500
23X82X8	rh axis 13	● A48011.DC.02	50	500
	lh axis 13	● A48012.DC.02	50	500

NB: for lh Galileo use rh strikers and vice versa



Cam striker, gap 4 surface mounted

18X82x8	surface mounted	A40017.01.10	50	500
---------	-----------------	--------------	----	-----



Mushroom striker, gap 4

18X82x8	rh	A40017.01.13	50	500
	lh	A40018.01.13	50	500
23X82X8	rh axis 13	A48011.DC.13	50	500
	lh axis 13	A48012.DC.13	50	500

NB: for lh Galileo use rh strikers and vice versa



Cam striker, gap 11

15X46X8	8+6 groove	A40017.03.02	50	500
15X46X8	8+7 groove	A40017.04.02	50	500



Components



Cam striker, gap 12

1 axis 9	17X46X8	A48010.05.02	50	500
2 axis 13	23X46X8,5 reb. 24	A48010.CR.02	50	500



Cam striker for PVC

Axxxxx.xx.02	☎	1	1
--------------	---	---	---



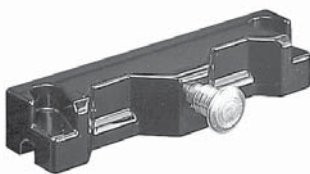
Mushroom striker, gap 12

1 axis 9	A48013.05.22	50	250
2 axis 13	A48010.CR.13	50	300



PVC antiburglar cam striker

A48013.xx.22	☎	50	500
--------------	---	----	-----



Mobile release stop

WHITE RAL 9010

M02011.02.34	1	1
--------------	---	---

WHITE RAL 9010

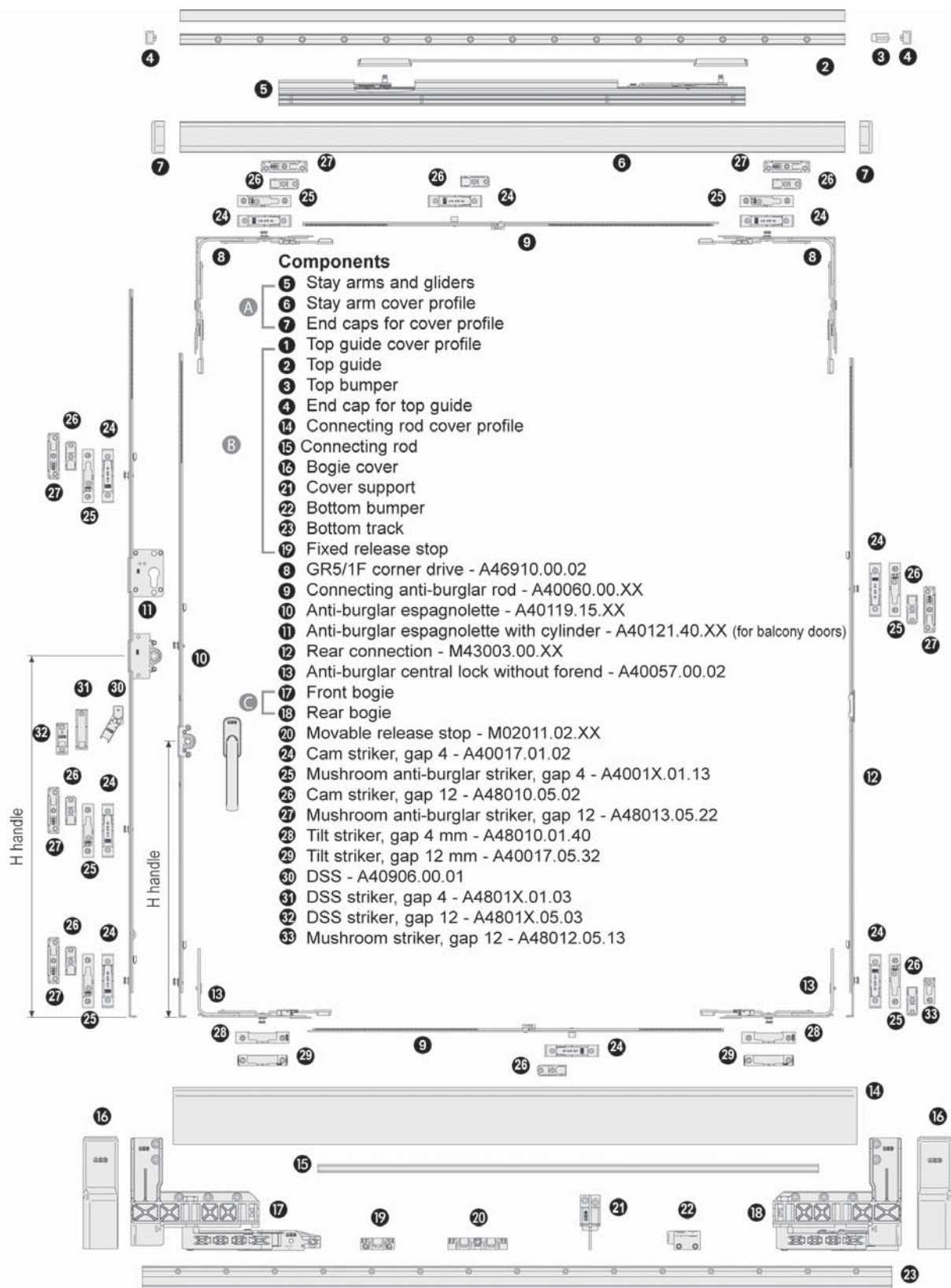
M02011.02.91	1	1
--------------	---	---

BROWN

M02011.02.94	1	1
--------------	---	---



Galileo system CM - Hardware for left sash



A Stay arm and accessories kit

M03114.10.XX - SRW = 530-720
 M03114.11.XX - SRW = 721-1100
 M03114.12.XX - SRW = 1101-1450
 M03114.13.XX - SRW = 1451-1760

B Width accessories kit

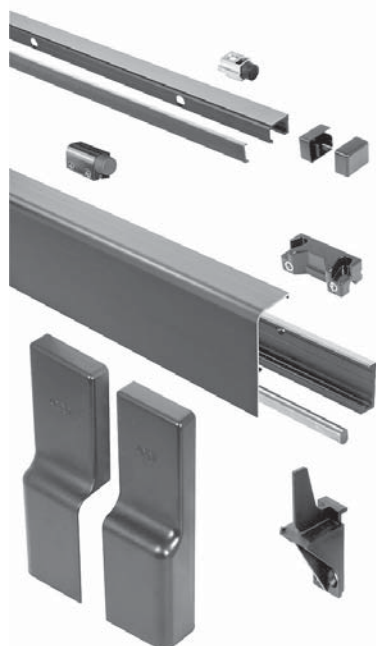
M02022.00.XX - SRW = 530-720
 M02022.01.XX - SRW = 721-1035
 M02022.02.XX - SRW = 1036-1260
 M02022.03.XX - SRW = 1261-1510
 M02022.04.XX - SRW = 1511-1760

C Bogie kit

M42401.DX.00 lh
 M42401.SX.00 rh



Basic kit



Width accessories kit

MATT CHROMIUM PLATED

530-720	GR 0	M02022.00.34	1	1
720-1035	GR 1	M02022.01.34	1	1
1036-1260	GR 2	M02022.02.34	1	1
1261-1510	GR 3	M02022.03.34	1	1
1511-1760	GR 4	M02022.04.34	1	1

WHITE RAL 9010

530-720	GR 0	M02022.00.91	1	1
720-1035	GR 1	M02022.01.91	☎	1
1036-1260	GR 2	M02022.02.91	☎	1
1261-1510	GR 3	M02022.03.91	☎	1
1511-1760	GR 4	M02022.04.91	☎	1

BROWN

530-720	GR 0	M02022.00.94	1	1
720-1035	GR 1	M02022.01.94	1	1
1036-1260	GR 2	M02022.02.94	1	1
1261-1510	GR 3	M02022.03.94	1	1
1511-1760	GR 4	M02022.04.94	1	1



Width accessories kit

MATT CHROMIUM PLATED

530-720	GR 0	M03114.10.34	1	1
720-1100	GR 1	M03114.11.34	1	1
1101-1450	GR 2	M03114.12.34	1	1
1451-1760	GR 3	M03114.13.34	1	1

WHITE RAL 9010

530-720	GR 0	M03114.10.91	1	1
720-1100	GR 1	M03114.11.91	1	1
1101-1450	GR 2	M03114.12.91	1	1
1451-1760	GR 3	M03114.13.91	1	1

BROWN

530-720	GR 0	M03114.10.94	1	1
720-1100	GR 1	M03114.11.94	1	1
1101-1450	GR 2	M03114.12.94	1	1
1451-1760	GR 3	M03114.13.94	1	1



Bogies

Rh	M42401.DX.00	1	1
Lh	M42401.SX.00	1	1

NB: i carrelli saranno forniti Tropical fino ad esaurimento scorte
Il kit contiene un carrello anteriore ed uno posteriore



Components



Anti-burglar Espagnolettes

	SRH	GR	Cam	H handle			
Backset 15	370-550	0	1	170	A40119.15.00	10	10
	490-600	1	1	170	A40119.15.01	10	10
	600-800	2	1	280	A40119.15.02	10	10
	800-1000	3	2	400	A40119.15.03	10	10
	1000-1200	4	2	500	A40119.15.04	10	10
	1200-1400	5	2	500	A40119.15.05	10	10
	1400-1600	6	2	500	A40119.15.06	10	10
	1600-1800	7	2	500	A40119.15.07	10	10
	1800-2000	8	3	1050	A40119.15.08	10	10
	2000-2200	9	3	1050	A40119.15.09	10	10
	2200-2400	10	3	1050	A40119.15.10	10	10



DSS - Security and lift device

A40906.00.01 50 300



Components

Anti-burglar Espagnolettes with cylinder

	SRH	GR	Cam	H handle				
Backset 40	1800-2000	8	3	1050	A40121.40.08		10	10
	2000-2200	9	3	1050	A40121.40.09		10	10
	2200-2400	10	3	1050	A40121.40.10		10	10





Components



Espagnolette for second sash

	SRH	GR				
Backset 15	800-1000	3	M43103.15.03		1	10
	1001-1200	4	M43103.15.04		1	10
	1201-1400	5	M43103.15.05		1	10
	1401-1600	6	M43103.15.06		1	10
	1601-1800	7	M43103.15.07		1	10
	1801-2000	8	M43103.15.08		1	10
	2001-2200	9	M43103.15.09		1	10
	2201-2400	10	M43103.15.10		1	10



Components

Espagnolette with cylinder hole for second sash

	SRH	GR				
Backset 40	1801-2000	8	M43203.40.08		1	5
	2001-2200	9	M43203.40.09		1	5
	2201-2400	10	M43203.40.10		1	5





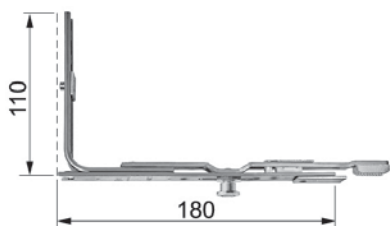
Components



GR5/F

Anti-burglar top corner drive

	SRW	SRH	Cam			
GR 5/F	410-1660	435-2400	1/2 SASHES	1	A46910.00.02	20 20



Anti-burglar bottom connecting drive

	Cam			
GR 2/F	1	A40057.00.02	5	5

Connecting rod

	L	Cam	SRW			
GR 0	395		530-755	A40060.00.00	20	20
GR 1	612	1	756-972	A40060.00.01	20	20
GR 2	862	1	973-1222	A40060.00.02	20	20
GR 3	1112	1	1223-1472	A40060.00.03	20	20
GR 4	1362	2	1473-1722	A40060.00.04	20	20
GR 5	1602	2	1712-1962	A40060.00.05	20	20





Components



Rear vertical connector

SRH	H	GR	Cam			
370-550	170	0	1	M43003.00.00	10	10
490-600	170	1	1	M43003.00.01	10	10
600-800	280	2	1	M43003.00.02	10	10
800-1000	820	3	2	M43003.00.03	10	10
1001-1200	1020	4	2	M43003.00.04	10	10
1201-1400	1220	5	2	M43003.00.05	10	10
1401-1600	1420	6	2	M43003.00.06	10	10
1601-1800	1620	7	2	M43003.00.07	10	10
1801-2000	1820	8	3	M43003.00.08	10	10
2001-2200	2020	9	3	M43003.00.09	10	10
2201-2400	2220	10	3	M43003.00.10	10	10



Components



Tilt lock striker - gap 4

	18X82x8	A48010.01.40	20	200
--	---------	--------------	----	-----



Tilt lock striker - gap 12

	17x80x8,5	A40017.05.32	20	240
axis 13	19X80X8,3	M43008.CR.01	20	20



Tilt lock striker for PVC profiles

		● M40701.xx.00	20	20
--	--	----------------	----	----

NB: for a list of available profiles please contact AGB sale dept



Cam striker, gap 4

	18X82x8	A20017.01.02	50	500
--	---------	--------------	----	-----



Mushroom striker, gap 4

rh	18X82x8	A40017.01.13	50	500
lh	18X82x8	A40018.01.13	50	500



Cam striker, gap 12

1 axis 9	17X46X8	A48010.05.02	50	500
2 axis 13	23X46X8,5 reb. 24	A48010.CR.02	50	500



Components



Cam striker for PVC

Axxxxx.xx.02	☎	1	1
--------------	---	---	---



Mushroom striker, gap 12

1 axis 9	18X74X8,5	A48013.05.22	50	250
2 axis 13	24X72X9 reb. 24	A48010.CR.13	50	300



PVC antiburglar cam striker

A48013.xx.22	☎	50	500
--------------	---	----	-----



DSS strikers Gap 4

18X82X8	A48011.01.03	50	500
18X82X8	A48012.01.03	50	500



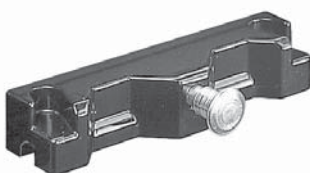
DSS strikers Gap 12

	17X46X8	A48011.05.03	50	500
	17X46X8	A48012.05.03	50	500
axis 13	23X46X8,5 reb. 24	A48010.CR.02	50	500



DSS strikers for PVC

A48010.xx.03	50	500
--------------	----	-----



**Mobile release stop
MATT CHROMIUM PLATED**

M02011.02.34	1	1
--------------	---	---

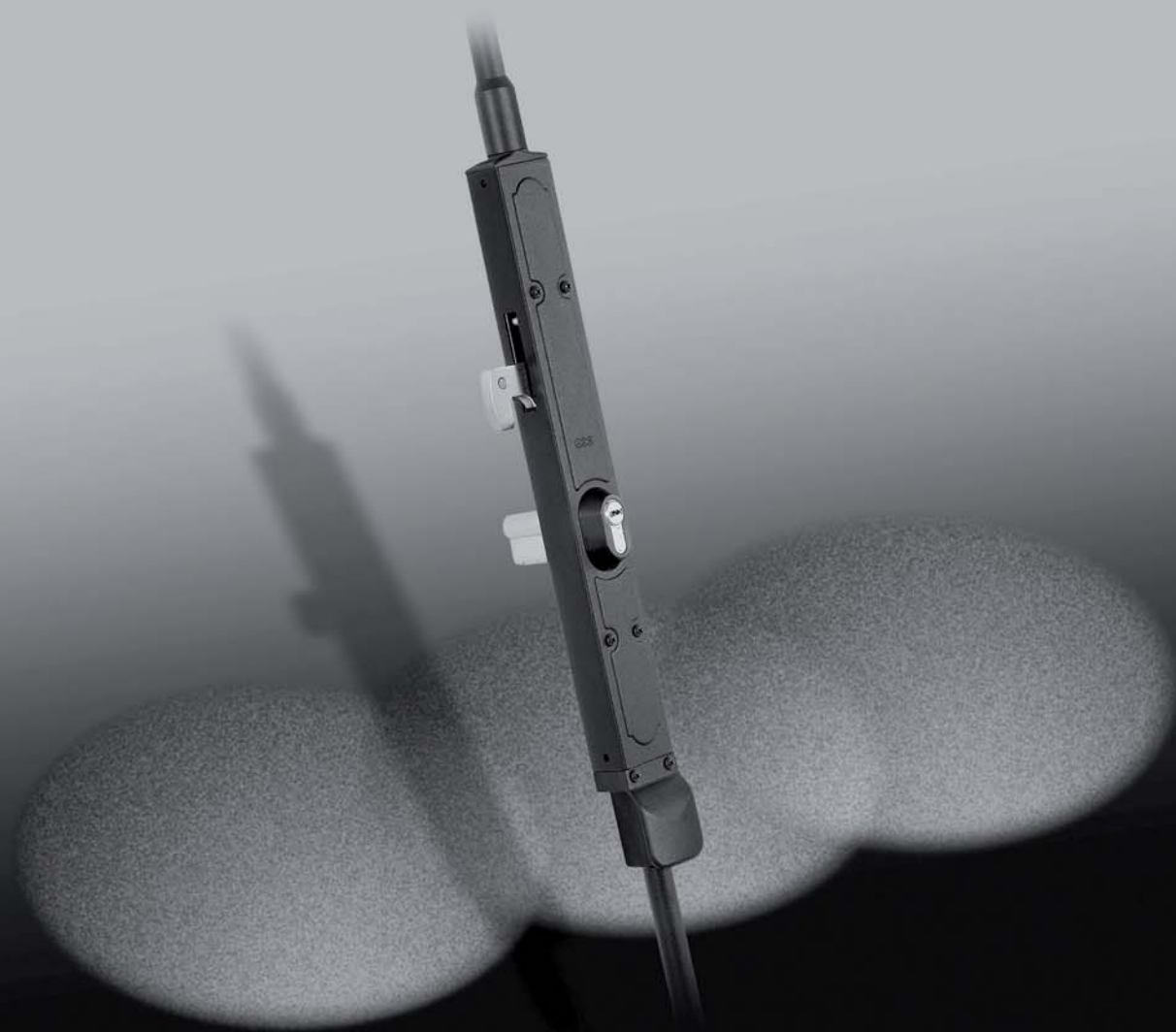
WHITE RAL 9010

M02011.02.91	1	1
--------------	---	---

BROWN

M02011.02.94	1	1
--------------	---	---

HARDWARE FOR SHUTTERS



Hardware for Shutters



Abaco - Espagnolettes	pag.	454
-----------------------	------	-----



Abaco - Ariete	pag.	471
Abaco - TENAX, ROUND for Ariete	pag.	479
Abaco - TENAX, OVAL	pag.	480
Abaco - Cylinders for Ariete	pag.	481
Key systems	pag.	483
Extra charge for key systems	pag.	484



Abaco - Bolts	pag.	485
Abaco - Pintles	pag.	487
Pintles and hinges application ranges with shutters reveal	pag.	492
Abaco - Hinges	pag.	493
Abaco - Alla Veneta	pag.	503
Abaco - Plates	pag.	504
Abaco - Wall catch	pag.	506
Abaco - Accessories	pag.	510
Abaco - Jigs	pag.	513



Traditional pintles for Timber casing	pag.	516
Traditional pintles - Screw anchor fixing	pag.	518
Traditional pintles - masonry pintles	pag.	523
Traditional pintles - Accessories	pag.	524
Traditional pintles - jigs	pag.	525



Abaco - Espagnolettes



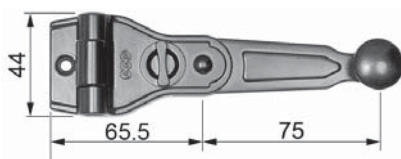
Drive rod

STEEL	H				
Black	1000	GR 1	H00900.01.93	10	10
	1200	GR 2	H00900.02.93	10	10
	1400	GR 3	H00900.03.93	10	10
	1600	GR 4	H00900.04.93	10	10
	1800	GR 5	H00900.05.93	10	10
	2000	GR 6	H00900.06.93	10	10
	2200	GR 7	H00900.07.93	10	10
	2400	GR 8	H00900.08.93	10	10
	2600	GR 9	H00900.09.93	10	10
	3200	GR 10	H00900.10.93	10	10
Silver**	1000	GR 1	H00900.01.15	10	10
	1200	GR 2	H00900.02.15	10	10
	1400	GR 3	H00900.03.15	10	10
	1600	GR 4	H00900.04.15	10	10
	1800	GR 5	H00900.05.15	10	10
	2000	GR 6	H00900.06.15	10	10
	2200	GR 7	H00900.07.15	10	10
	2400	GR 8	H00900.08.15	10	10
	2600	GR 9	H00900.09.15	10	10
	3200	GR 10	H00900.10.15	10	10
Bichromated*	1000	GR 1	H00900.01.04	10	10
	1200	GR 2	H00900.02.04	10	10
	1400	GR 3	H00900.03.04	10	10
	1600	GR 4	H00900.04.04	10	10
	1800	GR 5	H00900.05.04	10	10
	2000	GR 6	H00900.06.04	10	10
	2200	GR 7	H00900.07.04	10	10
	2400	GR 8	H00900.08.04	10	10
	2600	GR 9	H00900.09.04	10	10
	3200	GR 10	H00900.10.04	10	10
QC Silver***	1000	GR 1	● H00900.01.21	10	10
	1200	GR 2	● H00900.02.21	10	10
	1400	GR 3	● H00900.03.21	10	10
	1600	GR 4	● H00900.04.21	10	10
	1800	GR 5	● H00900.05.21	10	10
	2000	GR 6	● H00900.06.21	10	10
	2200	GR 7	● H00900.07.21	10	10
	2400	GR 8	● H00900.08.21	10	10
	2600	GR 9	● H00900.09.21	10	10
	3200	GR 10	● H00900.10.21	10	10

* Stock exhaustion

** Available until May 2010

*** Available from June 2010



Basic kit for single and double sash

ZAMAK	X				
Black	standard		H00901.04.93	20	80
	thickness	4 mm	H00901.73.93	20	80
	thickness	7 mm	H00901.74.93	20	80
Silver**	standard		H00901.04.15	20	80
	thickness	4 mm	H00901.73.15	20	80
	thickness	7 mm	H00901.74.15	20	80
Bichromated*	standard		H00901.04.04	20	80
	thickness	4 mm	H00901.73.04	20	80
	thickness	7 mm	H00901.74.04	20	80
QC Silver***	standard		● H00901.04.21	20	80
	thickness	4 mm	● H00901.73.21	20	80
	thickness	7 mm	● H00901.74.21	20	80

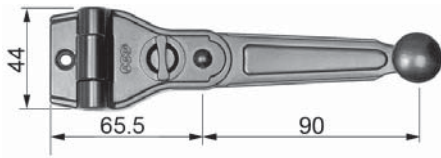
* Stock exhaustion

** Available until May 2010

*** Available from June 2010



Abaco - Espagnolettes



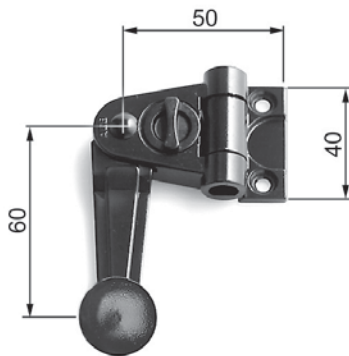
Basic kit for single and double sash

ZAMAK					
Black	standard		H00901.88.93	☎	20 80
	thickness 4 mm		H00901.89.93	☎	20 80
	thickness 7 mm		H00901.90.93	☎	20 80
Silver**	standard		H00901.88.15		20 80
	thickness 4 mm		H00901.89.15		20 80
	thickness 7 mm		H00901.90.15		20 80
Bichromated*	standard		H00901.88.04	☎	20 80
	thickness 4 mm		H00901.89.04	☎	20 80
	thickness 7 mm		H00901.90.04	☎	20 80
QC Silver***	standard	●	H00901.88.21		20 80
	thickness 4 mm	●	H00901.89.21		20 80
	thickness 7 mm	●	H00901.90.21		20 80

* Stock exhaustion

** Available until May 2010

*** Available from June 2010



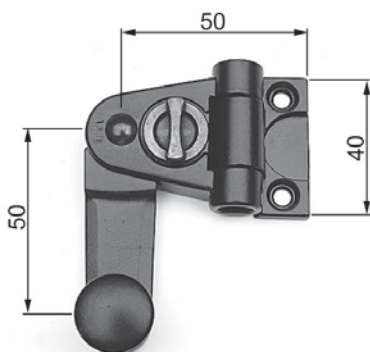
Small handle

ZAMAK					
Black	180 ° Rot.		H00901.49.93		20 80
Silver**	180 ° Rot.		H00901.49.15		20 80
Bichromated*	180 ° Rot.		H00901.49.04		20 80
QC Silver***	180 ° Rot.	●	H00901.49.21		20 80

* Stock exhaustion

** Available until May 2010

*** Available from June 2010



Reduced handle

ZAMAK					
Black	180 ° Rot.		H00901.05.93		20 80
Silver**	180 ° Rot.		H00901.05.15		20 80
Bichromated*	180 ° Rot.		H00901.05.04		20 80
QC Silver***	180 ° Rot.	●	H00901.05.21		20 80

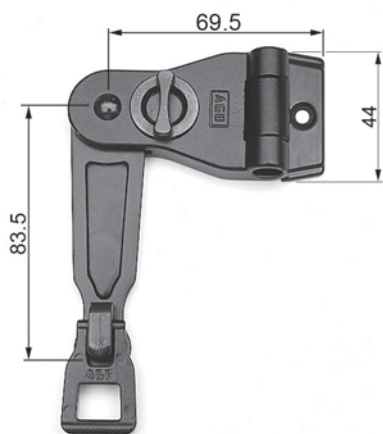
* Stock exhaustion

** Available until May 2010

*** Available from June 2010



Abaco - Espagnolettes



Flat handle

ZAMAK				
Black	180 ° Rot.	H00901.06.93	20	80
Silver**	180 ° Rot.	H00901.06.15	20	80
Bichromated*	180 ° Rot.	H00901.06.04	20	80
QC Silver***	180 ° Rot.	● H00901.06.21	20	80

* Stock exhaustion

** Available until May 2010

*** Available from June 2010

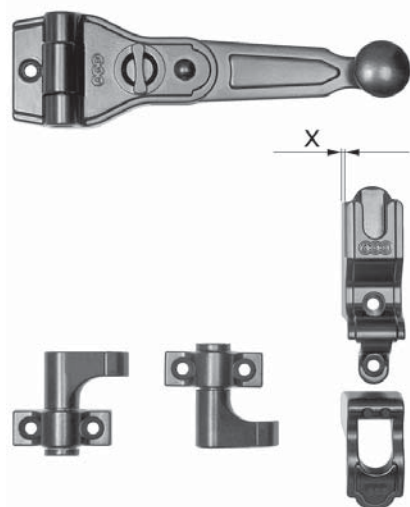


Snap-lock handle 2K series

ZAMAK				
Black	Rot.90°	H00003.01.93	20	80
Silver**	Rot.90°	H00003.01.15	20	80
QC Silver***	Rot.90°	● H00003.01.21	20	80

** Available until May 2010

*** Available from June 2010



UNICA - Basic kit for single and double sash

ZAMAK		X		
Black	standard	H00903.15.93	20	20
	thickness 4 mm	H00903.17.93	20	20
	thickness 7 mm	H00903.18.93	20	20
Silver**	standard	H00903.15.15	20	20
	thickness 4 mm	H00903.17.15	20	20
	thickness 7 mm	H00903.18.15	20	20
Bichromated*	standard	H00903.15.04	20	20
	thickness 4 mm	H00903.17.04	20	20
	thickness 7 mm	H00903.18.04	20	20
QC Silver***	standard	● H00903.15.21	20	20
	thickness 4 mm	● H00903.17.21	20	20
	thickness 7 mm	● H00903.18.21	20	20

* Stock exhaustion

** Available until May 2010

*** Available from June 2010



Abaco - Espagnolettes



UNICA - Basic kit with bent hooks

ZAMAK

Black	H00402.00.93	20	20
-------	--------------	----	----



Basic kit for single-sash

ZAMAK

Black	Large	H00903.06.93	20	20
	Small	H00903.12.93	20	20
	Reduced	H00903.07.93	20	20
Bichromated*	Large	H00903.06.04	20	20
	Small	H00903.12.04	20	20
	Reduced	H00903.07.04	20	20

* Stock exhaustion



Nella confezione con maniglietta piccola e ridotta il fermo-maniglia è l'articolo cod. H00901.08.xx

Basic kit for double-sash

ZAMAK

Black	Large	H00903.08.93	20	20
	Small	H00903.13.93	20	20
	Reduced	H00903.09.93	20	20
Bichromated*	Large	H00903.08.04	20	20
	Small	H00903.13.04	20	20
	Reduced	H00903.09.04	20	20

* Stock exhaustion





Abaco - Espagnolettes



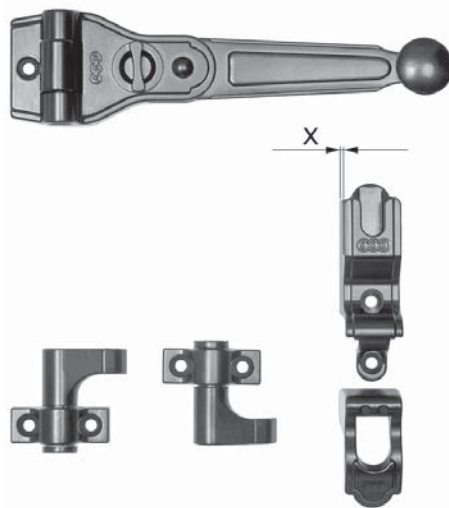
Basic kit for single and double sash

ZAMAK			
Black		H00903.16.93	20 20
Silver**		H00903.16.15	20 20
Bichromated*		H00903.16.04	20 20
QC Silver***	●	H00903.16.21	20 20

* Stock exhaustion

** Available until May 2010

*** Available from June 2010



UNICA long - Basic kit for single and double sash

ZAMAK		X			
Black	standard		H00903.22.93	20	20
	thickness 4 mm		H00903.20.93	20	20
	thickness 7 mm		H00903.21.93	20	20
Silver**	standard		H00903.22.15	20	20
	thickness 4 mm		H00903.20.15	20	20
	thickness 7 mm		H00903.21.15	20	20
Bichromated*	standard		H00903.22.04	20	20
	thickness 4 mm		H00903.20.04	20	20
	thickness 7 mm		H00903.21.04	20	20
QC Silver***	thickness 4 mm	●	H00903.20.21	20	20
	thickness 7 mm	●	H00903.21.21	20	20
	standard	●	H00903.22.21	20	20

* Stock exhaustion

** Available until May 2010

*** Available from June 2010



Flat handle - basic kit for single-sash

ZAMAK			
Black		H00903.10.93	20 20



Abaco - Espagnolettes



Flat handle - basic kit for double-sash

ZAMAK

Black	180 ° Rot.	H00903.11.93	20	20
Bichromated*	180 ° Rot.	H00903.11.04	20	20

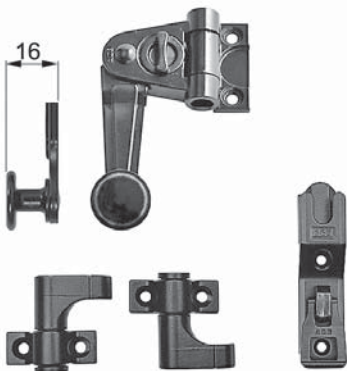
* Stock exhaustion

Small handle - basic kit for double-sash

ZAMAK

Black	Rot.180°	H00903.19.93	20	20
Bichromated*	Rot.180°	H00903.19.04	20	20

* Stock exhaustion



Snap-lock handle - basic kit 2K series

ZAMAK

Black	Rot.90°	H00004.01.93	20	20
Silver**	Rot.90°	H00004.01.15	20	20
QC Silver***	Rot.90°	● H00004.01.21	20	20

** Available until May 2010

*** Available from June 2010





Abaco - Espagnolettes



Locking pins - two straight pins kit

STEEL

Black	H00901.46.93	20	200
Bichromated*	H00901.46.04	20	200

* Stock exhaustion

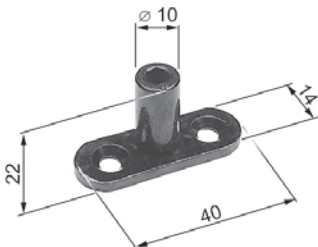


Locking pins - straight pin + corner plate kit

STEEL

Black	H00901.45.93	20	200
Bichromated*	H00901.45.04	20	200

* Stock exhaustion

Locking pins - straight pin \varnothing 10

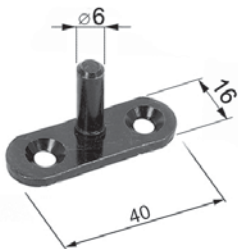
STEEL

Black	H00901.11.93	50	500
Silver**	H00901.11.15	50	500
Bichromated*	H00901.11.04	50	500
QC Silver***	● H00901.11.21	50	500

* Stock exhaustion

** Available until May 2010

*** Available from June 2010

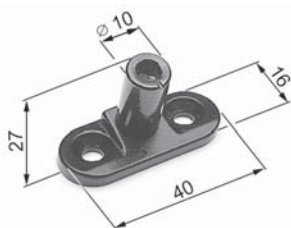
Locking pins - straight pin \varnothing 6

STEEL

Black	H00901.82.93	50	500
-------	--------------	----	-----



Abaco - Espagnolettes



Locking pins - inclined pin 16 mm foot

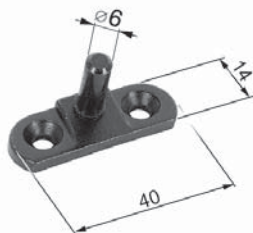
STEEL

Black	H00901.12.93	50	500
Silver**	H00901.12.15	50	500
Bichromated*	H00901.12.04	50	500
QC Silver***	● H00901.12.21	50	500

* Stock exhaustion

** Available until May 2010

*** Available from June 2010

Locking pins - inclined \varnothing 6 pin 14 mm foot

STEEL

Black	H00901.81.93	50	500
-------	--------------	----	-----



Locking pins - corner plate

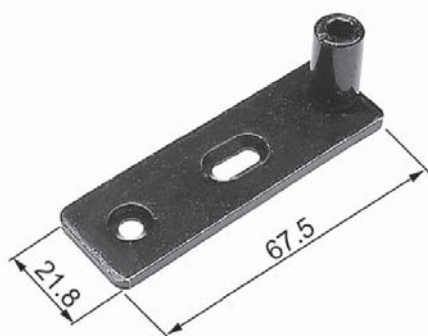
ZAMAK

Black	H00901.26.93	20	200
Silver**	H00901.26.15	20	200
Bichromated*	H00901.26.04	20	200
QC Silver***	● H00901.26.21	20	200

* Stock exhaustion

** Available until May 2010

*** Available from June 2010



Locking pins - long plate

STEEL

Black	H00901.17.93	20	200
Silver**	H00901.17.15	20	200
Bichromated*	H00901.17.04	20	200
QC Silver***	● H00901.17.21	20	200

* Stock exhaustion

** Available until May 2010

*** Available from June 2010



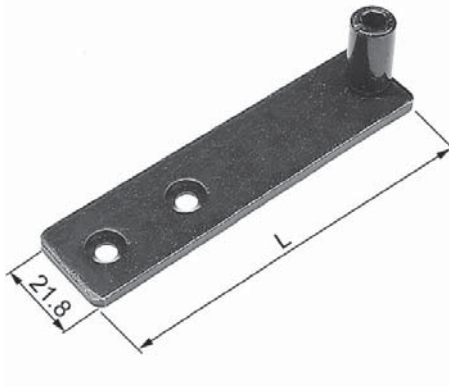
Abaco - Espagnolettes

Locking pins - long plate for appl. with foam insulating panels

STEEL	L			
Black	100	H01901.18.93	20	200
Bichromated*	100	H01901.18.04	20	200
Black	165	H02901.18.93	20	20
QC Silver***	165	● H02901.18.15	20	20
	165	● H02901.18.21	20	20

* Stock exhaustion

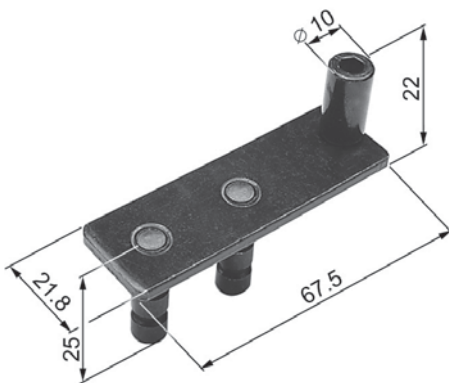
*** Available from June 2010



Locking pins - long plate to be glued

STEEL				
Black		H00901.23.93	20	200
Bichromated*		H00901.23.04	20	200

* Stock exhaustion

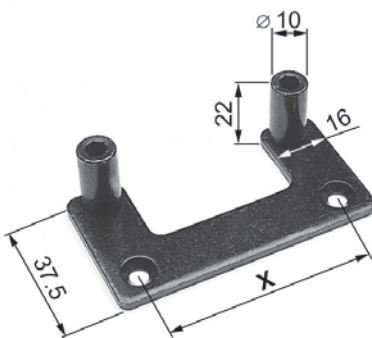


Locking pins - double pin

STEEL	X			
Black	56	H00901.24.93	20	200
	76	H00901.16.93	20	200
Bichromated*	56	H00901.24.04	20	200
	76	H00901.16.04	20	200
QC Silver***	56	● H00901.24.21	20	200

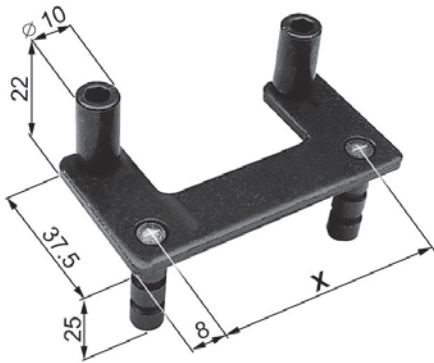
* Stock exhaustion

*** Available from June 2010





Abaco - Espagnolettes



Locking pins - double pin to be glued

STEEL	X				
Black	56	H00901.25.93		20	100
	76	H00901.14.93		20	100
Bichromated*	56	H00901.25.04		20	100
	76	H00901.14.04		20	100

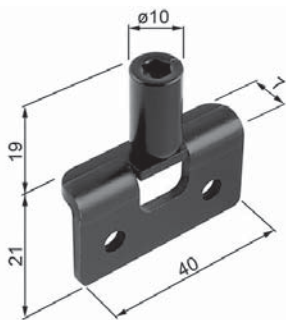
* Stock exhaustion



Locking pins - double pin with spacer

STEEL				
Black		H00901.31.93		20 20
Bichromated*		H00901.31.04		20 20

* Stock exhaustion



Locking pin for flush or rebated application

STEEL				
Black		H00901.53.93		50 500



Locking pins - M8 pin

STEEL				
Black		H00901.22.93		50 500
Bichromated*		H00901.22.04		50 500

* Stock exhaustion



Abaco - Espagnolettes

Locking pins - ø10 mm to be glued



STEEL

Black	H00901.19.93	50	500
Silver**	H00901.19.15	50	500
Bichromated*	H00901.19.04	50	500
QC Silver***	● H00901.19.21	50	500

* Stock exhaustion

** Available until May 2010

*** Available from June 2010

Locking pins - eccentric pin



Black	H00901.28.93	100	500
-------	--------------	-----	-----

Locking pins - screw pin



STEEL

Black	H00901.34.93	20	200
Bichromated*	H00901.34.04	20	200

* Stock exhaustion



Abaco - Espagnolettes



Components - large handle, lock for single sash

ZAMAK

Black	H00901.07.93	20	200
Silver**	H00901.07.15	20	200
Bichromated*	H00901.07.04	20	200
QC Silver***	● H00901.07.21	20	200

* Stock exhaustion

** Available until May 2010

*** Available from June 2010



Components - small and reduced handle, lock for single sash

ZAMAK

Black	H00901.08.93	20	200
Silver**	H00901.08.15	20	200
Bichromated*	H00901.08.04	20	200
QC Silver***	● H00901.08.21	20	200

* Stock exhaustion

** Available until May 2010

*** Available from June 2010



Components - handle lock for double sash

ZAMAK

Black	H00901.13.93	20	200
Silver**	H00901.13.15	20	200
Bichromated*	H00901.13.04	20	200
QC Silver***	● H00901.13.21	20	200

* Stock exhaustion

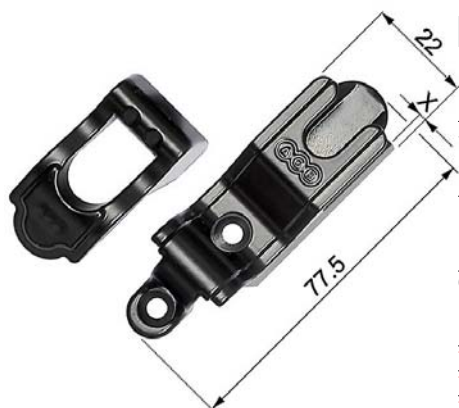
** Available until May 2010

*** Available from June 2010



Abaco - Espagnolettes

Components - large handle UNICA



ZAMAK		X			
Black	standard		H00901.57.93	20	200
	thickness 4 mm		H00901.71.93	20	100
	thickness 7 mm		H00901.72.93	20	100
Silver**	standard		H00901.57.15	20	200
	thickness 4 mm		H00901.71.15	20	100
	thickness 7 mm		H00901.72.15	20	100
Bichromated*	standard		H00901.57.04	20	200
	thickness 4 mm		H00901.71.04	20	100
	thickness 7 mm		H00901.72.04	20	100
QC Silver***	standard	●	H00901.57.21	20	200
	thickness 4 mm	●	H00901.71.21	20	100
	thickness 7 mm	●	H00901.72.21	20	100

* Stock exhaustion

** Available until May 2010

*** Available from June 2010

Components - flat handle lock for double sash



ZAMAK					
Black			H00901.27.93	20	200
Silver**			H00901.27.15	20	200
Bichromated*			H00901.27.04	20	200
QC Silver***		●	H00901.27.21	20	200

* Stock exhaustion

** Available until May 2010

*** Available from June 2010

Components - rod guide



ZAMAK					
Black	standard		H00901.15.93	50	500
	thickness 4 mm		H00901.83.93	50	500
	thickness 7 mm		H00901.84.93	50	500
Silver**	standard		H00901.15.15	50	500
	thickness 4 mm		H00901.83.15	50	500
	thickness 7 mm		H00901.84.15	50	500
Bichromated*	standard		H00901.15.04	50	500
	thickness 4 mm		H00901.83.04	50	500
	thickness 7 mm		H00901.84.04	50	500
QC Silver***	standard	●	H00901.15.21	50	500
	thickness 4 mm	●	H00901.83.21	50	500
	thickness 7 mm	●	H00901.84.21	50	500

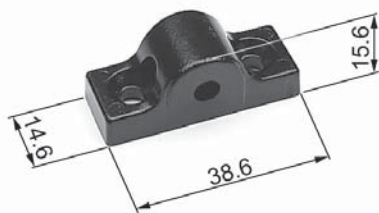
* Stock exhaustion

** Available until May 2010

*** Available from June 2010



Abaco - Espagnolettes



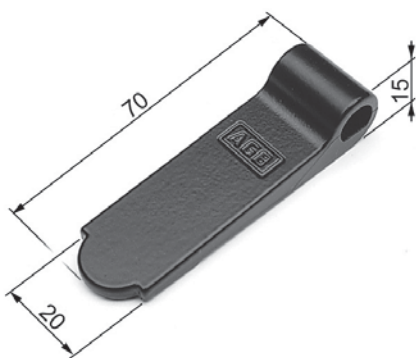
Components - rod guide and support

ZAMAK				
Black	standard		H00901.35.93	50 500
	thickness 4 mm		H00901.85.93	50 500
	thickness 7 mm		H00901.86.93	50 500
Silver**	standard		H00901.35.15	50 500
	thickness 4 mm		H00901.85.15	50 500
	thickness 7 mm		H00901.86.15	50 500
Bichromated*	standard		H00901.35.04	50 500
	thickness 4 mm		H00901.85.04	50 500
	thickness 7 mm		H00901.86.04	50 500
QC Silver***	standard	●	H00901.35.21	50 500
	thickness 4 mm	●	H00901.85.21	50 500
	thickness 7 mm	●	H00901.86.21	50 500

* Stock exhaustion

** Available until May 2010

*** Available from June 2010



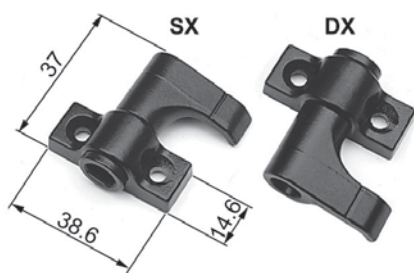
Components - second sash stop

ZAMAK			
Black		H00901.18.93	20 200
Silver**		H00901.18.15	20 200
Bichromated*		H00901.18.04	20 200
QC Silver**	●	H00901.18.21	20 200

** Available until May 2010

* Stock exhaustion

*** Available from June 2010



Components - closing hooks

ZAMAK				
Black	lh standard		H00901.09.93	50 500
	rh standard		H00901.10.93	50 500
	lh thickness 4 mm		H00901.69.93	50 500
	rh thickness 4 mm		H00901.70.93	50 500
	lh thickness 7 mm		H00901.77.93	25 250
	rh thickness 7 mm		H00901.78.93	25 250
Silver**	lh standard		H00901.09.15	50 500
	rh standard		H00901.10.15	50 500
	lh thickness 4 mm		H00901.69.15	50 500
	rh thickness 4 mm		H00901.70.15	50 500
	lh thickness 7 mm		H00901.77.15	25 250
	rh thickness 7 mm		H00901.78.15	25 250
Bichromated*	lh standard		H00901.09.04	50 500
	rh standard		H00901.10.04	50 500
	lh thickness 4 mm		H00901.69.04	50 500
	rh thickness 4 mm		H00901.70.04	50 500
	lh thickness 7 mm		H00901.77.04	25 250
	rh thickness 7 mm		H00901.78.04	25 250
QC Silver***	lh standard	●	H00901.09.21	50 500
	rh standard	●	H00901.10.21	50 500
	lh thickness 4 mm	●	H00901.69.21	50 500
	rh thickness 4 mm	●	H00901.70.21	50 500
	lh thickness 7 mm	●	H00901.77.21	25 250
	rh thickness 7 mm	●	H00901.78.21	25 250

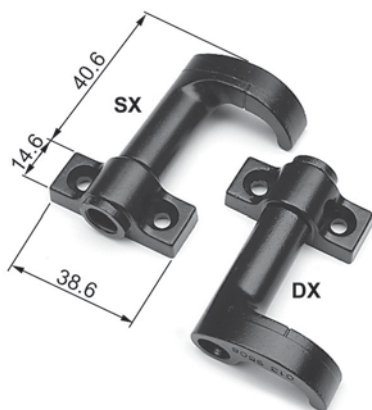
* Stock exhaustion

** Available until May 2010

*** Available from June 2010



Abaco - Espagnolettes



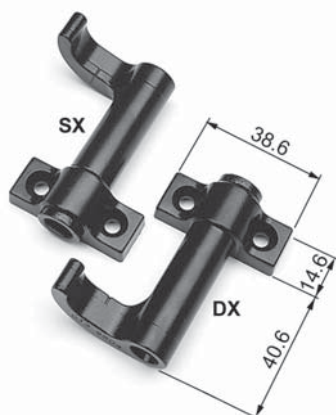
Components - curved closing hooks

ZAMAK					
Black	lh	standard	H00901.40.93	50	250
	rh	standard	H00901.41.93	50	250
	lh	thickness 4 mm	H00901.75.93	50	250
	rh	thickness 4 mm	H00901.76.93	50	250
	lh	thickness 7 mm	H00901.79.93	50	250
	rh	thickness 7 mm	H00901.80.93	50	250
Silver**	lh	standard	H00901.40.15	50	250
	rh	standard	H00901.41.15	50	250
	rh	thickness 4 mm	H00901.75.15	50	250
	rh	thickness 4 mm	H00901.76.15	50	250
	lh	thickness 7 mm	H00901.79.15	50	250
	rh	thickness 7 mm	H00901.80.15	50	250
Bichromated*	lh	standard	H00901.40.04	50	250
	rh	standard	H00901.41.04	50	250
	lh	thickness 4 mm	H00901.75.04	☎	50 250
	rh	thickness 4 mm	H00901.76.04	☎	50 250
	lh	thickness 7 mm	H00901.79.04	☎	50 250
	rh	thickness 7 mm	H00901.80.04	☎	50 250
QC Silver***	lh	standard	● H00901.40.21	50	250
	rh	standard	● H00901.41.21	50	250
	lh	thickness 4 mm	● H00901.75.21	50	250
	rh	thickness 4 mm	● H00901.76.21	50	250
	lh	thickness 7 mm	● H00901.79.21	50	250
	rh	thickness 7 mm	● H00901.80.21	50	250

* Stock exhaustion

** Available until May 2010

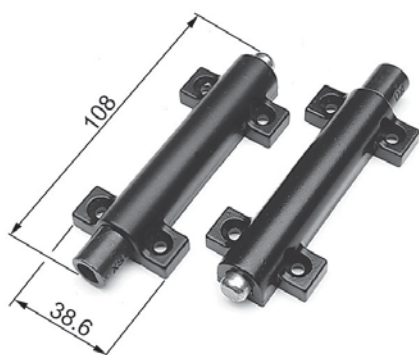
*** Available from June 2010



Components - curved reverse closing hooks (for windows)

ZAMAK					
Black	lh		H00901.32.93	50	250
	rh		H00901.33.93	50	250
Bichromated*	lh		H00901.32.04	50	250
	rh		H00901.33.04	50	250

* Stock exhaustion



Components - shoot bolt - 90° rotation

STEEL					
Black	lh		H00901.21.93	20	100
	rh		H00901.20.93	20	100
Silver**	lh		H00901.21.15	20	100
	rh		H00901.20.15	20	100
Bichromated*	lh		H00901.21.04	20	100
	rh		H00901.20.04	20	100
QC Silver***	rh		● H00901.20.21	20	100
	lh		● H00901.21.21	20	100

For 180° rotation to be coupled with adapter art. H00901.30/29

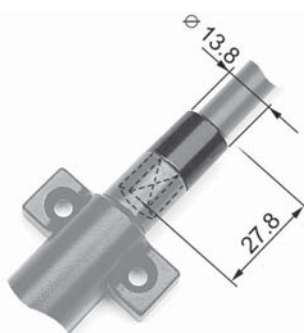
* Stock exhaustion

** Available until May 2010

*** Available from June 2010



Abaco - Espagnolettes



Components - adapter for 180° shootbolt rotation

ZAMAK				
Black	lh	H00901.30.93	50	700
	rh	H00901.29.93	50	700
Silver**	lh	H00901.30.15	50	700
	rh	H00901.29.15	50	700
Bichromated*	lh	H00901.30.04	50	700
	rh	H00901.29.04	50	700
QC Silver***	rh	● H00901.29.21	50	700
	lh	● H00901.30.21	50	700

* Stock exhaustion

** Available until May 2010

*** Available from June 2010

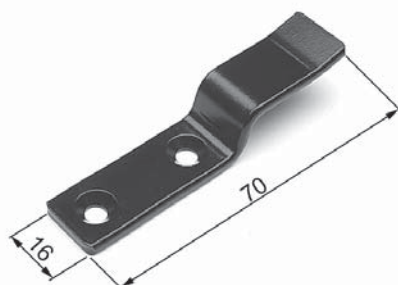


Components - threshold striker

ZAMAK				
Black	1/2 SASHES	F01696.00.93	50	500
Silver**	1/2 SASHES	W01696.00.04	50	500
Bichromated*	1/2 SASHES	F01696.00.04	50	500

* Stock exhaustion

** Available until May 2010



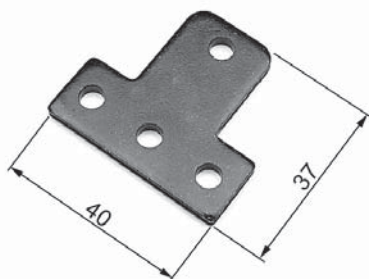
Components - sash locking plate

STEEL				
Black		H00901.39.93	20	400
Silver**		H00901.39.15	20	400
Bichromated*		H00901.39.04	20	400
QC Silver***		● H00901.39.21	20	400

* Stock exhaustion

** Available until May 2010

*** Available from June 2010



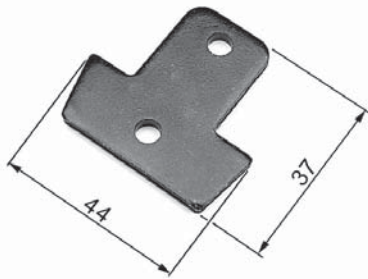
Components - shim for handle

STEEL				
Black	3 mm thickness	H00901.36.93	20	500
	4 mm thickness	H00901.42.93	20	500
Bichromated*	3 mm thickness	H00901.36.04	20	500
	4 mm thickness	H00901.42.04	20	500

* Stock exhaustion



Abaco - Espagnolettes

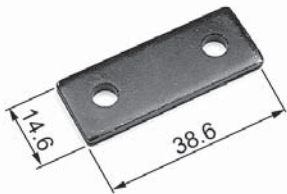


Components - shim for handle UNICA

STEEL

Black	Thickness 3 mm	H00901.63.93	20	500
	Thickness 4 mm	H00901.64.93	20	500
Bichromated*	Thickness 3 mm	H00901.63.04	20	500
	Thickness 4 mm	H00901.64.04	20	500

* Stock exhaustion

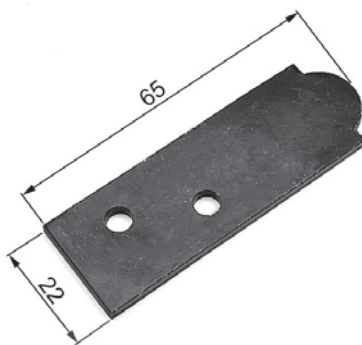


Components - shim for rod guide and locking hooks

STEEL

Black	3 mm thickness	H00901.38.93	50	1000
	4 mm thickness	H00901.44.93	50	1000
Bichromated*	3 mm thickness	H00901.38.04	50	1000
	4 mm thickness	H00901.44.04	50	1000

* Stock exhaustion



Components - shim for handle lock for second sash

STEEL

Black	3 mm thickness	H00901.37.93	20	500
	4 mm thickness	H00901.43.93	20	500
Bichromated*	3 mm thickness	H00901.37.04	20	500
	4 mm thickness	H00901.43.04	20	500
Silver QC***	4 mm thickness	● H00901.43.21	20	500

* Stock exhaustion

*** Available from June 2010



Abaco - Ariete

Basic Kit Ariete Triplex

STEEL			
Blacktech	● H34101.00.99	1	1



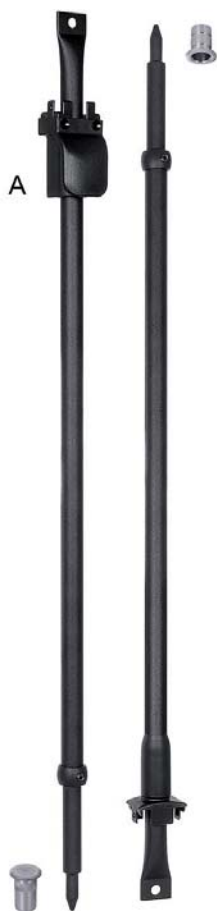
Basic Kit Ariete Duplex

STEEL			
Blacktech	● H34201.00.99	1	1





Abaco - Ariete

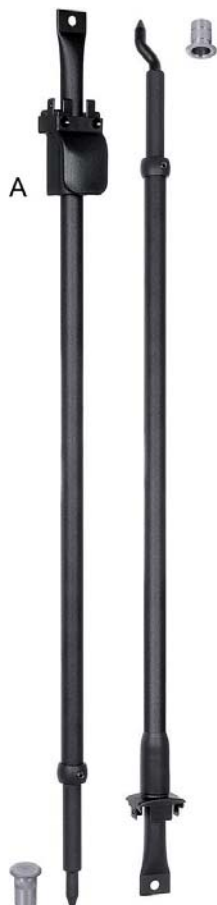


Kit push rods, straight

STEEL	RH				
Blacktech	1750-2900	ø 9	H35001.09.99	1	1

Kit push rods, straight without handle (detail A)

STEEL	RH				
Blacktech	1750-2900	ø 9	● H35005.09.99	☎ 1	1



Kit push rods, upper bent - lower straight

STEEL	RH				
Blacktech	1750-2900	ø 9	H35003.09.99	1	1

Kit push rods, upper bent - lower straight without handle (detail A)

STEEL	RH				
Blacktech	1750-2900	ø 9	● H35007.09.99	☎ 1	1

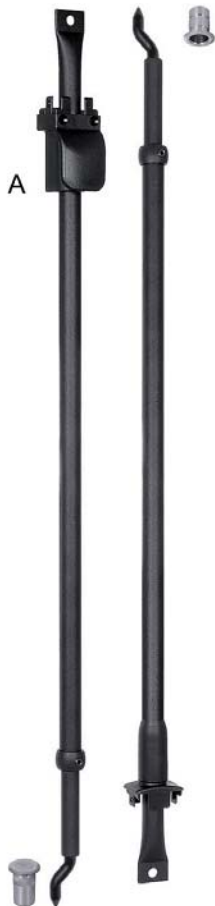


Abaco - Ariete



Kit push rods, upper straight - lower bent

STEEL	RH				
Blacktech	1750-2900	ø 9	H35004.09.99	1	1



Kit push rods, bent

STEEL	RH				
Blacktech	1800-2950	ø 9	H35002.09.99	1	1

Kit push rods, bent, without handle (detail A)

STEEL	RH				
Blacktech	1800-2950	ø 9	● H35006.09.99	☎ 1	1



Abaco - Ariete



Striker for single sash U27 for hook

STEEL

Blacktech

H33101.00.99

1

20



Wall adapter for U27 striker for hook

STEEL

Blacktech

H33201.00.99

1

20



Striker for single sash on wall for hook

STEEL

Blacktech

H33101.02.99

1

20



Abaco - Ariete



Striker for double sash adjustable U30 for hook

STEEL				
1	Blacktech		H33001.01.99	1 20
2	Blacktech	with handle	● H33001.07.99	1 20

Striker for double sash adjustable for PVC and Aluminium for hook

STEEL				
1	Blacktech		● H33004.01.99	☎ 1 20

NB: refer to the technical specifications for the application of the profile



Striker for double sash fixed for PVC and Aluminium for hook

STEEL				
1	Blacktech		● H33004.00.99	☎ 1 20

NB: refer to the technical specifications for the application of the profile



Striker for double sash U36 for hook

STEEL				
1	Blacktech		H33003.00.99	1 20



Abaco - Ariete



Striker for double sash for PVC and Aluminium, for hook

STEEL				
Blacktech	with handle	H33001.05.99	1	20



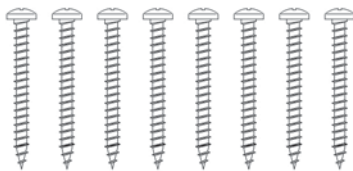
Kit fixing screws for wood

STAINLESS STEEL				
Blacktech		H34400.00.93	1	10



Kit fixing self-threading screws for PVC and aluminium

STAINLESS STEEL				
Blacktech		H34401.00.93	1	10



NB: the image refers to the wood kit



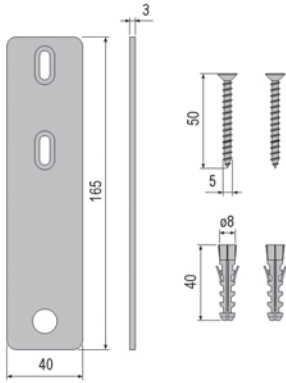
Additional antiburglar guide for push-rods

STEEL				
Blacktech		H32200.00.99	1	20



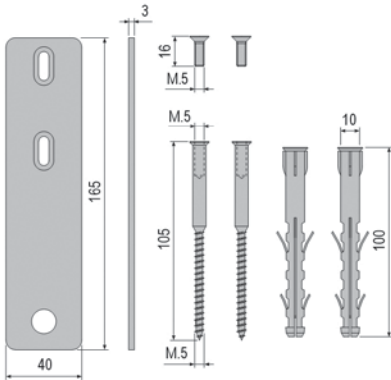
Abaco - Ariete

Plate & short screw anchor kit for insulating panels



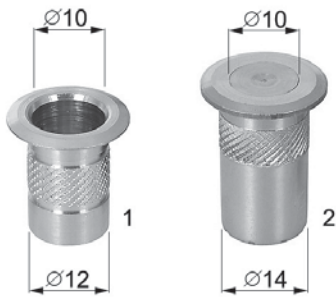
H34501.00.99	1	1	

Plate & long screw anchor kit for insulating panels



H34502.00.99	1	1	

Threshold striker - push rod \varnothing 9 mm



BRASS			
1	H32211.01.01	10	10
2	H32211.02.01	10	10

Striker for push rod \varnothing 9 mm, flush systems



ZAMAK			
Black	H00964.01.93	20	20
Bichromated*	H00964.01.04	20	20

* Stock exhaustion

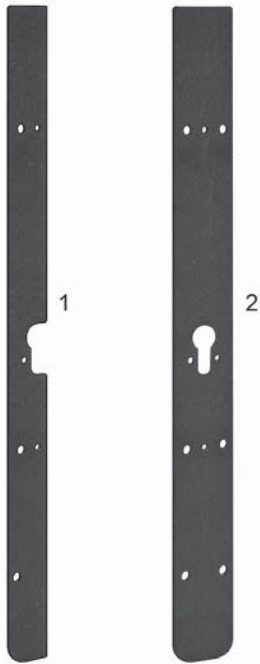
Adapter for flush systems



ZAMA			
Black	● H32312.00.93	50	50



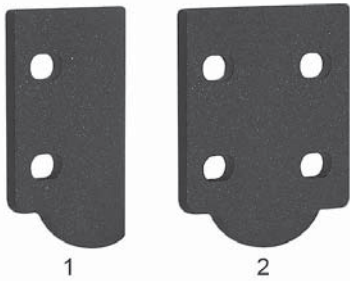
Abaco - Ariete



Adapter for central box on PVC / Aluminium profiles

STEEL

1	thickness 3 mm	H32305.00.99	1	20
2	thickness 2 mm	● H32310.02.99	☎ 1	20
	thickness 3 mm	● H32310.03.99	☎ 1	20
	thickness 4 mm	● H32310.04.99	☎ 1	20



Adapter for push rod guides on PVC / Aluminium profiles

STEEL

1	thickness 3 mm	H32306.00.99	1	20
2	thickness 2 mm	● H32311.02.99	☎ 1	20
	thickness 3 mm	● H32311.03.99	☎ 1	20
	thickness 4 mm	● H32311.04.99	☎ 1	20



Escutcheon for cylinder

NYLON

H32302.00.99	1	10
--------------	---	----

NB: two 4x70 mm screws included



Abaco - Ariete



Cylinder escutcheon

STEEL

Enam. brass plated	C00640.00.03	100	1400
Nickel plated	C00640.00.06	100	1400
	C00640.00.99	100	1400

BRASS

Plain	C00641.00.01	100	1400
Nickel plated	C00641.00.06	100	1400
Enam. polished	C00641.00.10	100	1400
Matt chr. plated	C00641.00.34	100	1400

NB: Cylinders discount class



Adapter for escutcheon and TENAX on PVC / Aluminium profiles

NYLON

thickness 3 mm	H32307.03.99	30	300
----------------	--------------	----	-----

Abaco - TENAX, ROUND for Ariete



For drilling \varnothing 34

Blacktech

X = 10 mm	S=0-4mm	H32308.00.99	1	10
-----------	---------	--------------	---	----

X= thickness S= cylinder protrusion from the door



Adapter for escutcheon and TENAX on PVC / Aluminium profiles

NYLON

thickness 3 mm	H32307.03.99	30	300
----------------	--------------	----	-----



Abaco - TENAX, OVAL



With internal stud

Satin Chromium plated

GR 1	X = 10 mm	S=0-4mm	C94700.10.32	1	10
GR 2	X = 12 mm	S=0-6mm	C94700.12.32	1	10
GR 3	X = 14 mm	S=2-8mm	C94700.14.32	1	10
GR 4	X = 16 mm	S=4-10mm	C94700.16.32	1	10
GR 5	X = 18 mm	S=6-12mm	C94700.18.32	1	10

PVD

GR 1	X = 10 mm	S=0-4mm	C94700.10.35	1	10
GR 2	X = 12 mm	S=0-6mm	C94700.12.35	1	10
GR 3	X = 14 mm	S=2-8mm	C94700.14.35	1	10
GR 4	X = 16 mm	S=4-10mm	C94700.16.35	1	10
GR 5	X = 18 mm	S=6-12mm	C94700.18.35	1	10

Compatibility

compatible with Mortice locks

X= thickness S= cylinder protrusion from the door

NB: Cylinders discount class



Abaco - Cylinders for Ariete

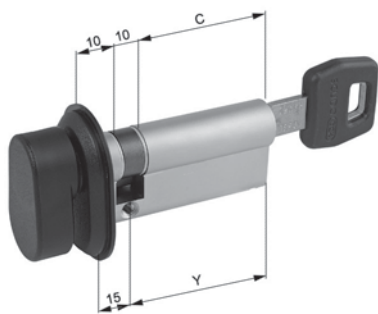


Mod. Ariete knob-blind

PLAIN BRASS

10-10-05	15-10	C67601.10.05	1	10
----------	-------	--------------	---	----

NB: Cylinders discount class

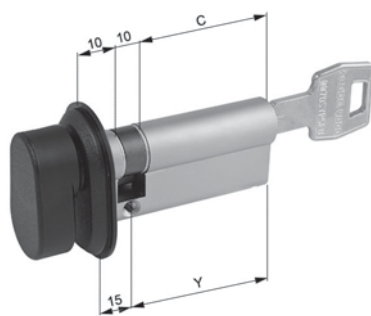


Mod. SCUDO DCK knob-key

MATT NICKEL PLATED

10-10-35	15	15-40	C27516.10.35	1	1
10-10-40	15	15-45	C27516.10.40	1	1
10-10-45	15	15-50	C27516.10.45	1	1
10-10-50	15	15-55	C27516.10.50	1	1
10-10-55	15	15-60	C27516.10.55	1	1
10-10-60	15	15-65	C27516.10.60	1	1
10-10-65	15	15-70	C27516.10.65	1	1
10-10-70	15	15-75	● C27516.10.70	1	1
10-10-75	15	15-80	● C27516.10.75	1	1

NB: Cylinders discount class

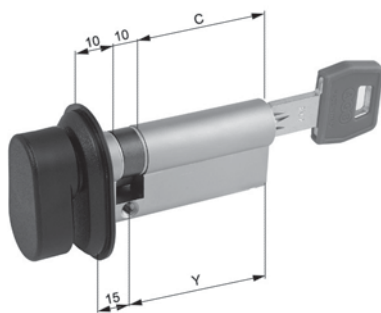


Mod. SCUDO 9000 knob-key

MATT NICKEL PLATED

10-10-35	17	15-40	C97516.10.35	1	1
10-10-40	17	15-45	C97516.10.40	1	1
10-10-45	17	15-50	C97516.10.45	1	1
10-10-50	17	15-55	C97516.10.50	1	1
10-10-55	17	15-60	C97516.10.55	1	1
10-10-60	17	15-65	C97516.10.60	1	1
10-10-65	17	15-70	C97516.10.65	1	1
10-10-70	17	15-75	● C97516.10.70	1	1
10-10-75	17	15-80	● C97516.10.75	1	1

NB: Cylinders discount class

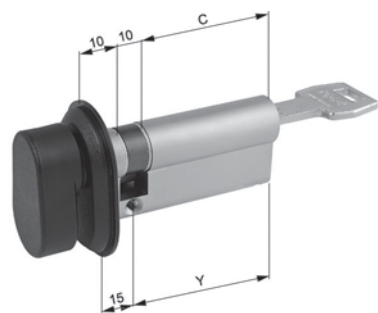


Mod. U-Tech knob-key

MATT NICKEL PLATED

10-10-35	6	15-40	C37516.10.35	☎	1	1
10-10-40	6	15-45	C37516.10.40		1	1
10-10-45	6	15-50	C37516.10.45		1	1
10-10-50	6	15-55	C37516.10.50		1	1
10-10-55	6	15-60	C37516.10.55	☎	1	1
10-10-60	6	15-65	C37516.10.60		1	1
10-10-65	6	15-70	C37516.10.65		1	1
10-10-70	6	15-75	● C37516.10.70		1	1
10-10-80	6	15-85	● C37516.10.80		1	1
10-10-85	6	15-90	● C37516.10.85		1	1
10-10-90	6	15-95	● C37516.10.90		1	1

NB: Cylinders discount class



Mod. SCUDO 5000 knob-key

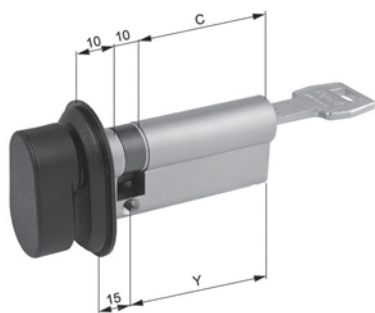
MATT NICKEL PLATED

10-10-35	7	15-40	C57516.10.35	1	1
10-10-40	7	15-45	C57516.10.40	1	1
10-10-45	7	15-50	C57516.10.45	1	1
10-10-50	7	15-55	C57516.10.50	1	1
10-10-55	7	15-60	C57516.10.55	1	1
10-10-60	7	15-65	C57516.10.60	1	1
10-10-65	7	15-70	C57516.10.65	1	1
10-10-70	7	15-75	● C57516.10.70	1	1
10-10-75	7	15-80	● C57516.10.75	1	1
10-10-80	7	15-85	● C57516.10.80	1	1
10-10-85	7	15-90	● C57516.10.85	1	1

NB: Cylinders discount class



Abaco - Cylinders for Ariete

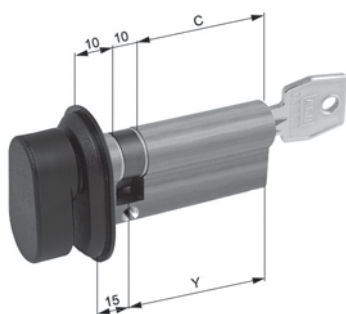


Mod. SCUDO 5000 knob-key double function

MATT NICKEL PLATED

10-10-35	6	15-40	C47516.10.35	1	1
10-10-40	6	15-45	C47516.10.40	1	1
10-10-45	6	15-50	C47516.10.45	1	1
10-10-50	6	15-55	C47516.10.50	1	1
10-10-55	6	15-60	C47516.10.55	1	1
10-10-60	6	15-65	C47516.10.60	1	1
10-10-65	6	15-70	C47516.10.65	1	1
10-10-70	6	15-75	● C47516.10.70	1	1
10-10-75	6	15-80	● C47516.10.75	1	1

NB: Cylinders discount class



Mod. 600 knob-key

PLAIN BRASS

10-10-35	5	15-45	C67501.10.35	1	1
10-10-40	5	15-45	C67501.10.40	1	1
10-10-45	5	15-50	C67501.10.45	1	1
10-10-50	5	15-55	C67501.10.50	1	1
10-10-55	5	15-60	C67501.10.55	1	1
10-10-60	5	15-65	C67501.10.60	1	1
10-10-65	5	15-70	C67501.10.65	1	1
10-10-70	5	15-75	● C67501.10.70	1	1
10-10-75	5	15-80	● C67501.10.75	1	1

NB: Cylinders discount class



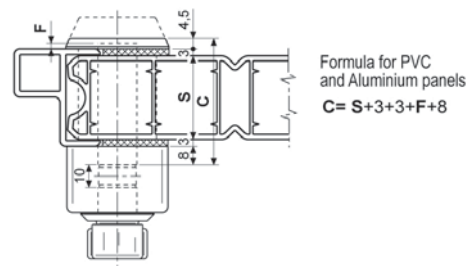
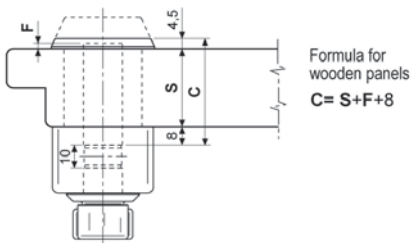
Knob for Ariete cylinders

for replacement	C64593.00.00	1	25	2,637	E1
-----------------	--------------	---	----	-------	----

CALCULATE FORMULA FOR CHOOSING THE DIMENSION "C" OF THE CYLINDER ON THE BASIS OF THE THICKNESS OF THE SHUTTER

TENAX	F = min. 1/ max. 6 mm
ESCHUTCHEON	F = 4,5

TENAX	F = min. 1/ max. 6 mm
ESCHUTCHEON	F = 4,5



Example with Eschutcheon:

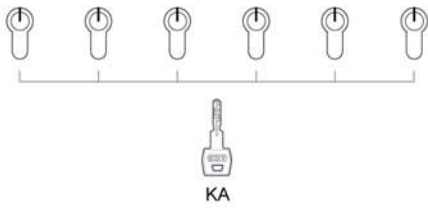
Shutter thickness (S) = 40 mm
F Eschutcheon = 4,5
 $C = 40 + 4,5 + 8 = 52,5$ mm
Choose a cylinder of "C" 55 mm (CX7516.10.55)

Example with TENAX:

Shutter thickness (S) = 36 mm
F Tenax = min. 1/max. 6
 $C = 36 + 3 + 3 + 8 + 6 = 56$ mm
Choose a cylinder of "C" 55 mm (CX7516.10.55)



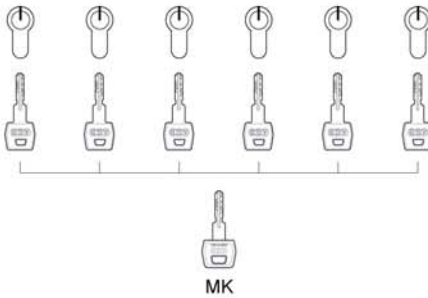
Key systems



Key Alike System

KA

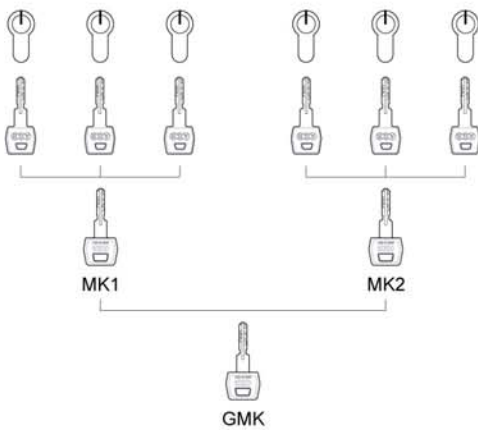
All the cylinders have the same differ and can be opened only by one key.



Master Key system

MK

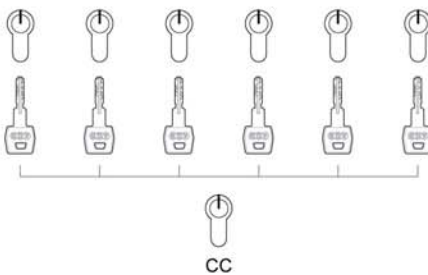
Every cylinder can be opened by its own key which cannot open any other cylinder of the system. All the cylinders can be opened by the MK management key.



General Master Key system

GMK

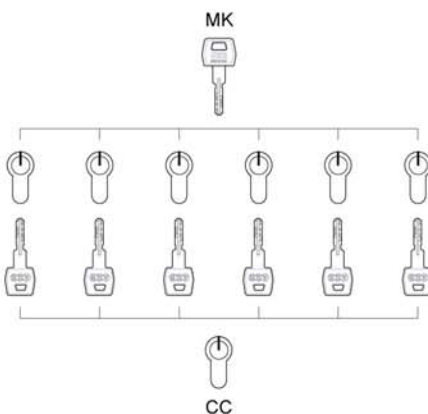
Same as the management key system but in two or more groups. Every group of cylinders can be opened by its own service key. All the cylinders of the system can be opened by the GMK grand management key.



Central Cylinder System

CC

Every cylinder has its own key which cannot open any other cylinder of the system. All the keys of the system can open the cylinder of the central lock.



Central Cylinder System and Master Key

CCMK

Every cylinder has its own key which cannot open any other cylinder of the system, except the central system. All the cylinders of the system can be opened by the MK management key.



Extra charge for key systems

Keyed alike system cylinders - KA

Free coding (price for each cylinder)

Specimen coding (price for each cylinder)

Reduction for each key less than the st. supply

Mod. 600		SCUDO 5000		U-TECH		SCUDO 9000		SCUDO DCK	
CODE	PRICE	CODE	PRICE	CODE	PRICE	CODE	PRICE	CODE	PRICE
KA	1,537	KA	1,716	KA	2,372	KA	3,026	KA	8,767
KC	2,151	KC	2,263	KC	3,039	KC	3,816	KC	9,234
		indicate in order	1,590		1,790	indicate in order	1,987	indicate in order	3,136

N.B. For half-cylinders with knob 50% deduction price

Keyed alike system cylinders - MK

Free coding (price for each cylinder)

Specimen coding (price for each cylinder)

Master key, to be order in multiples of 3
(price and code for each key)

Mod. 600		SCUDO 5000		U-TECH		SCUDO 9000		SCUDO DCK	
CODE	PRICE	CODE	PRICE	CODE	PRICE	CODE	PRICE	CODE	PRICE
MK	9,600	MK	11,993	MK	13,401	MK	14,806	MK	18,987
MC	14,978	MC	16,801	MC	18,107	MC	19,413	MC	25,141
C6430015.06	1,384	C5430015.06	4,494	C34300,15.08	4,731	C9430015.01	4,969	C1430015.01	10,813

N.B. For half-cylinders with knob 50% deduction price

General Master Key system cylinders - GMK

Free coding (price for each cylinder)

Specimen coding (price for each cylinder)

Master key, to be order in multiples of 3
(price and code for each key)

Mod. 600		SCUDO 5000		U-TECH		SCUDO 9000		SCUDO DCK	
CODE	PRICE	CODE	PRICE	CODE	PRICE	CODE	PRICE	CODE	PRICE
GMK	13,440	GMK	15,428	GMK	16,764	GMK	18,085	GMK	21,915
GMC	18,817	GMC	20,227	GMC	21,466	GMC	22,705	GMC	26,006
C6430016.06	1,384	C5430016.06	4,494	C34300,16.08	4,731	C9430016.01	4,969	C1430016.01	10,813

N.B. For half-cylinders with knob 50% deduction price

Central Cylinder system cylinders - CC

Free coding (price for each cylinder)

Specimen coding (price for each cylinder)

Mod. 600		SCUDO 5000		U-TECH		SCUDO 9000		SCUDO DCK	
CODE	PRICE	CODE	PRICE	CODE	PRICE	CODE	PRICE	CODE	PRICE
CC	6,528	CC	9,257	CC	10,716	CC	12,176	CC	16,656
CCC	9,600	CCC	11,999	CCC	13,406	CCC	14,787	CCC	18,994

N.B. For half-cylinders with knob 50% deduction price

Central & Master Key syst. cyl.-CCMK

Free coding (price for each cylinder)

Specimen coding (price for each cylinder)

Master key, to be order in multiples of 3
(price and code for each key)

Mod. 600		SCUDO 5000		U-TECH		SCUDO 9000		SCUDO DCK	
CODE	PRICE	CODE	PRICE	CODE	PRICE	CODE	PRICE	CODE	PRICE
CMK	16,130	CMK	17,829	CMK	19,117	CMK	20,402	CMK	23,961
CMC	23,426	CMC	24,342	CMC	24,486	CMC	26,654	CMC	29,512
C6430016.06	1,384	C5430016.06	4,494	C34300,15.08	4,731	C9430016.01	4,969	C1430016.01	10,813

N.B. For half-cylinders with knob 50% deduction price

The expansion of existing systems is considered as specimen coding

At the time of the first order, indicate whether a future expansion may be required for the systems, otherwise specimen coding for the systems could not be possible.

For systems other than the ones indicated, please contact our sales department.

The good operation of the cylinders is guaranteed only with original AGB's Key.



Abaco - Bolts



Vertical bolts

STEEL - Bracket size				
Black	290	H00960.25.93	5	5
	440	H00960.40.93	5	5
	540	H00960.50.93	5	5
	640	H00960.60.93	5	5
Bichromated*	290	H00960.25.04	5	5
	440	H00960.40.04	5	5
	540	H00960.50.04	5	5
	640	H00960.60.04	5	5

* Stock exhaustion



Vertical bent bolts

STEEL - Bracket size				
Black	333	H00961.29.93	5	5
	483	H00961.44.93	5	5
	583	H00961.54.93	5	5
	683	H00961.64.93	5	5
Bichromated*	333	H00961.29.04	5	5
	483	H00961.44.04	5	5
	583	H00961.54.04	5	5
	683	H00961.64.04	5	5

* Stock exhaustion



Horizontal bolts

STEEL - Bracket size				
Black	180	H00962.22.93	5	5
	215	H00962.30.93	5	5
	265	H00962.40.93	5	5
	315	H00962.50.93	5	5
Bichromated*	180	H00962.22.04	5	5
	215	H00962.30.04	5	5
	265	H00962.40.04	5	5
	315	H00962.50.04	5	5

* Stock exhaustion



Security bolt for espagnolette (single sash)

STEEL - Bracket size				
Black	225	H00963.00.93	5	5
Bichromated*	225	H00963.00.04	5	5

* Stock exhaustion



Abaco - Bolts



Security bolt for espagnolette (double sash)

STEEL - Bracket size

Black	225	H00963.23.93	5	5
Bichromated*	225	H00963.23.04	5	5

* Stock exhaustion



Threshold striker

ZAMAK

Black	1/2 SASHES	F01696.00.93	50	500
Silver**	1/2 SASHES	W01696.00.04	50	500
Bichromated*	1/2 SASHES	F01696.00.04	50	500

* Stock exhaustion

** Available until May 2010



Through striker

BRASS

Black		H00964.00.09	50	50
-------	--	--------------	----	----



Coplanar striker

ZAMAK

Black		H00964.01.93	20	20
Bichromated*		H00964.01.04	20	20

* Stock exhaustion



Striker for inside opening

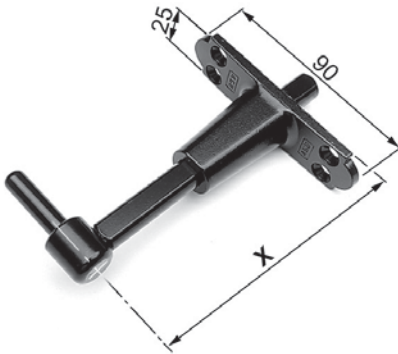
STEEL

Black		H00964.02.93	10	10
-------	--	--------------	----	----



Abaco - Pintles

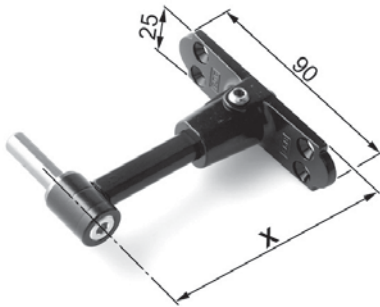
Pintle with narrow bracket



STEEL	X				
Black	25-55	GR 0	H00911.00.93	20	20
	56-85	GR 1	H00911.01.93	20	20
	86-115	GR 2	H00911.02.93	20	20
	116-145	GR 3	H00911.03.93	20	20
Bichromated*	25-55	GR 0	H00911.00.04	20	20
	56-85	GR 1	H00911.01.04	20	20
	86-115	GR 2	H00911.02.04	20	20
	116-145	GR 3	H00911.03.04	20	20

* Stock exhaustion

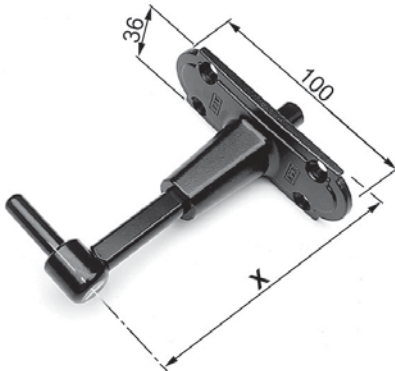
Pintle with narrow bracket and vertical adjustment



STEEL	X				
Black	25-55	GR 0	H01911.00.93	20	20
	56-85	GR 1	H01911.01.93	20	20
	86-115	GR 2	H01911.02.93	20	20
	116-145	GR 3	H01911.03.93	20	20
Bichromated*	25-55	GR 0	H01911.00.04	20	20
	56-85	GR 1	H01911.01.04	20	20
	86-115	GR 2	H01911.02.04	20	20
	116-145	GR 3	H01911.03.04	20	20

* Stock exhaustion

Pintle with large bracket

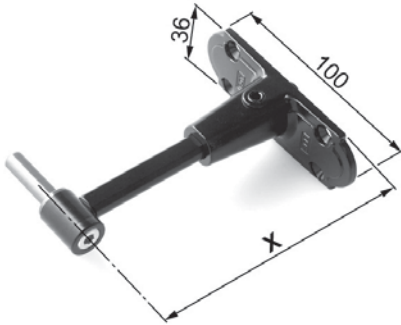


STEEL	X				
Black	56-85	GR 1	H00912.01.93	20	20
	86-115	GR 2	H00912.02.93	20	20
	116-145	GR 3	H00912.03.93	20	20
Bichromated*	56-85	GR 1	H00912.01.04	20	20
	86-115	GR 2	H00912.02.04	20	20
	116-145	GR 3	H00912.03.04	20	20

* Stock exhaustion



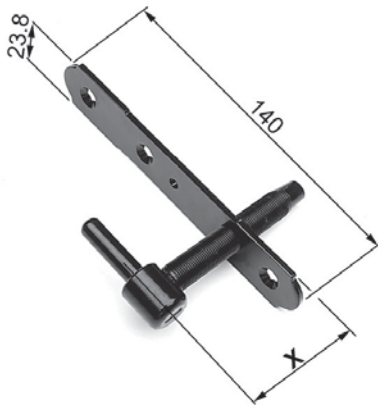
Abaco - Pintles



Pintle with large bracket and vertical adjustment

STEEL	X				
Black	56-85	GR 1	H01912.01.93	20	20
	86-115	GR 2	H01912.02.93	20	20
	116-145	GR 3	H01912.03.93	20	20
Bichromated*	56-85	GR 1	H01912.01.04	20	20
	86-115	GR 2	H01912.02.04	20	20
	116-145	GR 3	H01912.03.04	20	20

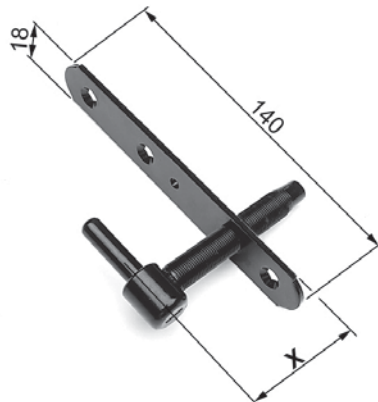
* Stock exhaustion



Pintle with threaded shank on 24 mm plate

STEEL	X				
Black	12-45		H00925.45.93	20	100
Bichromated*	12-45		H00925.45.04	20	100

* Stock exhaustion



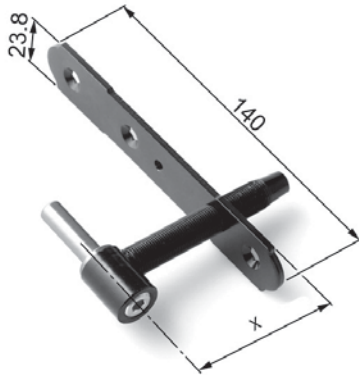
Pintle with threaded shank on 18 mm plate

STEEL	X				
Black	45		H01925.45.93	20	100
Bichromated*	45		H01925.45.04	20	100

* Stock exhaustion



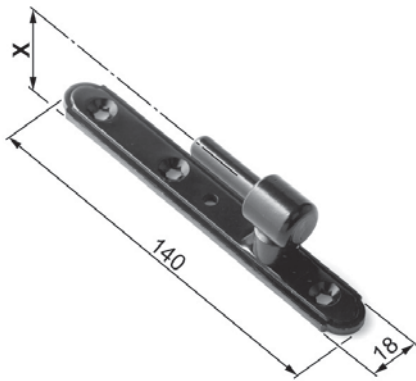
Abaco - Pintles



Pintle with threaded shank on 24 mm plate and vertical adjustment

STEEL	X			
Black	12-45		H02925.45.93	20 100
Bichromated*	12-45		H02925.45.04	20 100

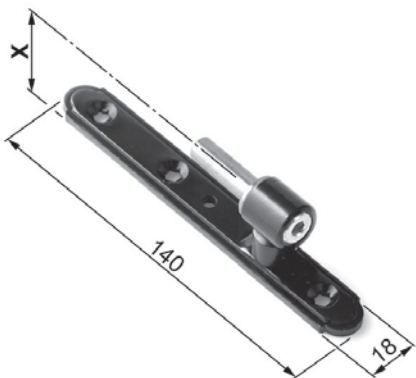
* Stock exhaustion



Fixed pintle - on 18 mm plate

STEEL	X			
Black	15	GR 2	H01924.15.93	20 20
	18	GR 3	H01924.18.93	20 20
	20	GR 4	H01924.20.93	20 20
	22	GR 5	H01924.22.93	20 20
	24	GR 6	H01924.24.93	20 20
	26	GR 7	H01924.26.93	20 20
	28	GR 8	H01924.28.93	20 20
	30	GR 9	H01924.30.93	20 20
	Bichromated*	15	GR 2	H01924.15.04
18		GR 3	H01924.18.04	20 20
20		GR 4	H01924.20.04	20 20
22		GR 5	H01924.22.04	20 20
24		GR 6	H01924.24.04	20 20
26		GR 7	H01924.26.04	20 20
28		GR 8	H01924.28.04	20 20
30		GR 9	H01924.30.04	20 20

* Stock exhaustion



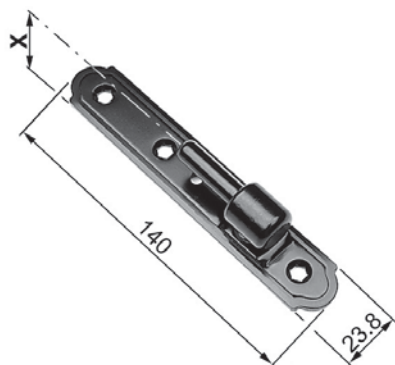
Fixed pintle - on 18 mm plate and vertical adjustment

STEEL	X			
Black	22	GR 5	H03924.22.93	20 20
	24	GR 6	H03924.24.93	20 20
	26	GR 7	H03924.26.93	20 20
	28	GR 8	H03924.28.93	20 20
	30	GR 9	H03924.30.93	20 20
Bichromated*	22	GR 5	H03924.22.04	20 20
	24	GR 6	H03924.24.04	20 20
	26	GR 7	H03924.26.04	20 20
	28	GR 8	H03924.28.04	20 20
	30	GR 9	H03924.30.04	20 20

* Stock exhaustion



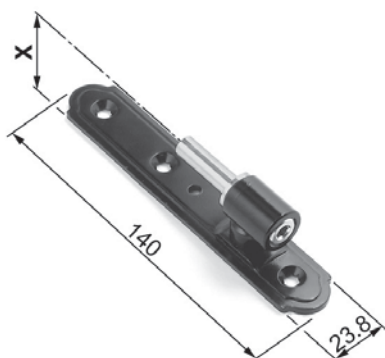
Abaco - Pintles



Fixed pintle - on 24 mm plate

STEEL	X				
Black	12	GR 1	H00924.12.93	20	20
	15	GR 2	H00924.15.93	20	20
	18	GR 3	H00924.18.93	20	20
	20	GR 4	H00924.20.93	20	20
	22	GR 5	H00924.22.93	20	20
	24	GR 6	H00924.24.93	20	20
	26	GR 7	H00924.26.93	20	20
	28	GR 8	H00924.28.93	20	20
	30	GR 9	H00924.30.93	20	20
Bichromated*	12	GR 1	H00924.12.04	20	20
	15	GR 2	H00924.15.04	20	20
	18	GR 3	H00924.18.04	20	20
	20	GR 4	H00924.20.04	20	20
	22	GR 5	H00924.22.04	20	20
	24	GR 6	H00924.24.04	20	20
	26	GR 7	H00924.26.04	20	20
	28	GR 8	H00924.28.04	20	20
	30	GR 9	H00924.30.04	20	20

* Stock exhaustion



Fixed pintle - on 24 mm plate and vertical adjustment

STEEL	X				
Black	12	GR 1	H02924.12.93	20	20
	15	GR 2	H02924.15.93	20	20
	18	GR 3	H02924.18.93	20	20
	20	GR 4	H02924.20.93	20	20
	22	GR 5	H02924.22.93	20	20
	24	GR 6	H02924.24.93	20	20
	26	GR 7	H02924.26.93	20	20
	28	GR 8	H02924.28.93	20	20
	30	GR 9	H02924.30.93	20	20
Bichromated*	12	GR 1	H02924.12.04	20	20
	15	GR 2	H02924.15.04	20	20
	18	GR 3	H02924.18.04	20	20
	20	GR 4	H02924.20.04	20	20
	22	GR 5	H02924.22.04	20	20
	24	GR 6	H02924.24.04	20	20
	26	GR 7	H02924.26.04	20	20
	28	GR 8	H02924.28.04	20	20
	30	GR 9	H02924.30.04	20	20

* Stock exhaustion

3 mm shim for pintles on 18 mm plates

STEEL				
Black			H00021.01.93	20 20
Bichromated*			H00021.01.04	20 20

* Stock exhaustion

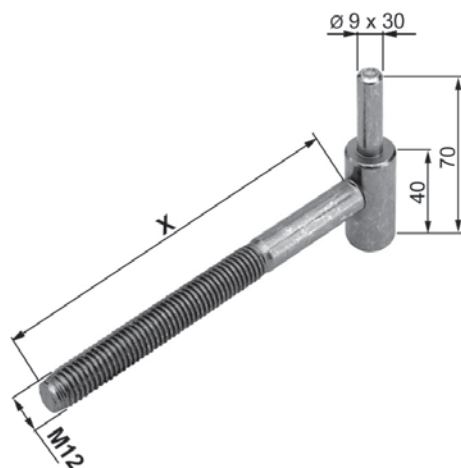
3 mm shim for pintles on 24 mm plates

STEEL				
Black			H00021.04.93	20 20
Bichromated*			H00021.04.04	20 20

* Stock exhaustion



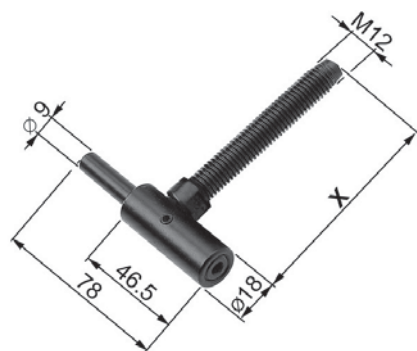
Abaco - Pintles



Screw pintle for masonry

STEEL		X			
Black	85	GR 1	H00928.01.93	20	20
	125	GR 2	H00928.02.93	20	20
	145	GR 3	H00928.03.93	20	20
	175	GR 4	H00928.04.93	20	20
Bichromated*	85	GR 1	H00928.01.04	20	20
	125	GR 2	H00928.02.04	20	20
	145	GR 3	H00928.03.04	20	20
	175	GR 4	H00928.04.04	20	20

* Stock exhaustion



Screw pintle with removable pivot for masonry, vertical adjustment

STEEL		X			
Black	85	GR 1	H01149.01.93	20	20
	125	GR 2	H01149.02.93	20	20
	145	GR 3	H01149.03.93	20	20
	175	GR 4	H01149.04.93	20	20
Bichromated*	85	GR 1	H01149.01.04	20	20
	125	GR 2	H01149.02.04	20	20
	145	GR 3	H01149.03.04	20	20
	175	GR 4	H01149.04.04	20	20

* Stock exhaustion



Screw pintle for masonry, vertical adjustment

STEEL		X			
Black	85	GR 1	H01928.01.93	20	20
	125	GR 2	H01928.02.93	20	20
	145	GR 3	H01928.03.93	20	20
	175	GR 4	H01928.04.93	20	20
Bichromated*	85	GR 1	H01928.01.04	20	20
	125	GR 2	H01928.02.04	20	20
	145	GR 3	H01928.03.04	20	20
	175	GR 4	H01928.04.04	20	20

* Stock exhaustion



Mod. 8018, pintle only

STEEL - M10X85 screw					
Black	ø18	rh	H08028.18.93	20	20
	ø18	lh	H08029.18.93	20	20
Bichromated*	ø18	rh	H08028.18.04	20	20
	ø18	lh	H08029.18.04	20	20

* Stock exhaustion



Anchor for screw pintles

NYLON					
	H 135 mm		H00901.48.01	50	50
	H 100 mm		H00901.47.01	50	50



Pintles and hinges application ranges with shutters reveal

(GR) Size table for pintles H00911.0X.XX and hinges H00914.XX.XX

F = 0 Flush type	E =	72	85	98	139	145	187		
	pintle:	GR 0 (*)	GR 1	GR 1	GR 1	GR 2			
	hinge:	GR 1	GR 1	GR 2	GR 3	GR 3			
F = 12	E =	59	73	85	111	133	151	193	199
	pintle:	GR 0 (*)	GR 1	GR 1	GR 1	GR 2	GR 2	GR 3	
	hinge:	GR 0	GR 0	GR 1	GR 2	GR 2	GR 3	GR 3	
F = 15	E =	62	70	87	113	130	154	190	202
	pintle:	GR 0 (*)	GR 1	GR 1	GR 1	GR 2	GR 2	GR 3	
	hinge:	GR 0	GR 0	GR 1	GR 2	GR 2	GR 3	GR 3	
F = 18	E =	65	67	91	117	127	157	187	205
	pintle:	GR 0 (*)	GR 1	GR 1	GR 1	GR 2	GR 2	GR 3	
	hinge:	GR 0	GR 0	GR 1	GR 2	GR 2	GR 3	GR 3	
F = 20	E =	67	92	118	125	159	185	207	
	pintle:	GR 1	GR 1	GR 1	GR 2	GR 2	GR 3		
	hinge:	GR 0	GR 1	GR 2	GR 2	GR 3	GR 3		
F = 22	E =	69	94	123	161	183	209		
	pintle:	GR 1	GR 1	GR 2	GR 2	GR 3			
	hinge:	GR 0	GR 1	GR 2	GR 3	GR 3			
F = 25	E =	72	97	120	123	164	180	212	
	pintle:	GR 1	GR 1	GR 2	GR 2	GR 2	GR 3		
	hinge:	GR 0	GR 1	GR 1	GR 2	GR 3	GR 3		
F = 30	E =	77	102	115	128	169	175	217	
	pintle:	GR 1	GR 1	GR 2	GR 2	GR 2	GR 3		
	hinge:	GR 0	GR 1	GR 1	GR 2	GR 3	GR 3		
F = 35	E =	82	107	110	133	170	174	222	
	pintle:	GR 1	GR 1	GR 2	GR 2	GR 3	GR 3		
	hinge:	GR 0	GR 1	GR 1	GR 2	GR 2	GR 3		
F = 40	E =	87	105	112	138	165	179	225	
	pintle:	GR 1	GR 2	GR 2	GR 2	GR 3	GR 3		
	hinge:	GR 0	GR 0	GR 1	GR 2	GR 2	GR 3		
F = 45	E =	92	100	117	143	160	184	220	
	pintle:	GR 1	GR 2	GR 2	GR 2	GR 3	GR 3		
	hinge:	GR 0	GR 0	GR 1	GR 2	GR 2	GR 3		
F = 50	E =	97	122	148	155	189	215		
	pintle:	GR 2	GR 2	GR 2	GR 3	GR 3			
	hinge:	GR 0	GR 1	GR 2	GR 2	GR 3			
F = 55	E =	102	127	150	153	194	210		
	pintle:	GR 2	GR 2	GR 3	GR 3	GR 3			
	hinge:	GR 0	GR 1	GR 1	GR 2	GR 3			
F = 60	E =	107	132	145	158	199	205		
	pintle:	GR 2	GR 2	GR 3	GR 3	GR 3			
	hinge:	GR 0	GR 1	GR 1	GR 2	GR 3			

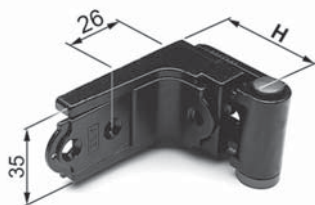
NB. This table has been calculated on the basis of a simple shutter with distance D equal to 25 mm.

(*) Do not use with hinge catch for shutters.

F = Rebate thickness E = Window reveal thickness



Abaco - Hinges



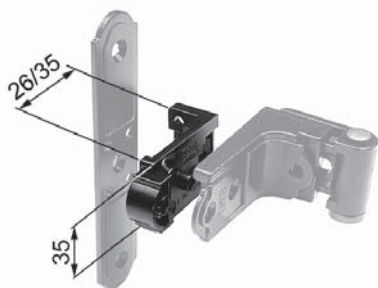
Adjustable hinge for recessed shutters

ZAMAK	E	H			
Black	GR 0 69-94	36-48	H00914.00.93	20	20
	GR 1 94-123	49-61	H00914.01.93	20	20
	GR 2 123-161	62-82	H00914.02.93	20	20
	GR 3 161-209	83-106	H00914.03.93	20	20
Bichromated*	GR 0 69-94	36-48	H00914.00.04	20	20
	GR 1 94-123	49-61	H00914.01.04	20	20
	GR 2 123-161	62-82	H00914.02.04	20	20
	GR 3 161-209	83-106	H00914.03.04	20	20

E = window reveal thickness with 22 mm shutter rebate

NB: per la scelta del GR consultare l'apposita tabella

* Stock exhaustion



Support for corner and vertical plates - 26 mm offset

ZAMAK				
Black	Swinging	H00915.01.93	20	20
	Flush	H00915.03.93	20	20
Bichromated*	Swinging	H00915.01.04	20	20
	Flush	H00915.03.04	20	20

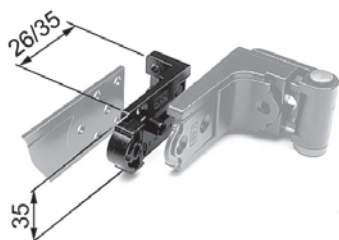
* Stock exhaustion

Battuta minima 15 mm
Minimum shutter rebate 15mm

Support for corner and vertical plates - 35 mm offset

ZAMAK				
Black	Swinging	H00949.01.93	20	20
	Flush	H00949.03.93	20	20
Bichromated*	Swinging	H00949.01.04	20	20
	Flush	H00949.03.04	20	20

* Stock exhaustion



Support for horizontal plate - 26 mm offset

ZAMAK				
Black	Swinging	H00915.02.93	20	20
	Flush	H00915.04.93	20	20
Bichromated*	Swinging	H00915.02.04	20	20
	Flush	H00915.04.04	20	20

* Stock exhaustion

Battuta minima 15 mm
Minimum shutter rebate 15mm

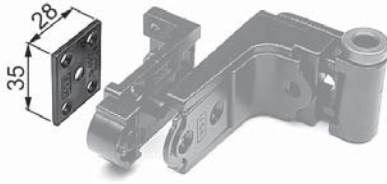
Support for horizontal plate - 35 mm offset

ZAMAK				
Black	Swinging	H00949.02.93	20	20
	Flush	H00949.04.93	20	20
Bichromated*	Swinging	H00949.02.04	20	20
	Flush	H00949.04.04	20	20

* Stock exhaustion



Abaco - Hinges



Shim to fix the hinge without plates

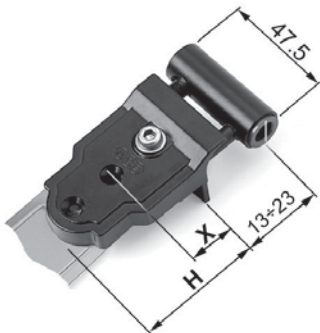
NYLON						
Black				H00921.00.93	20	1000



Adjustable hinge - for corner and vertical plates - 19x8 rebated

ZAMAK	X		H			
Black	26	rh	56	H00932.08.93	20	20
	26	lh	56	H01932.08.93	20	20
	35	rh	63	H00944.08.93	20	20
	35	lh	63	H01944.08.93	20	20
Bichromated*	26	rh	56	H00932.08.04	20	20
	26	lh	56	H01932.08.04	20	20
	35	rh	63	H00944.08.04	20	20
	35	lh	63	H01944.08.04	20	20

* Stock exhaustion



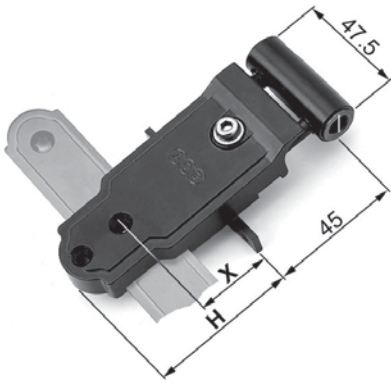
Adjustable hinge - for horizontal plate - 19x8 rebated

ZAMAK	X		H			
Black	26	rh	56	H00933.08.93	20	20
	26	lh	56	H01933.08.93	20	20
	35	rh	63	H00945.08.93	20	20
	35	lh	63	H01945.08.93	20	20
Bichromated*	26	rh	56	H00933.08.04	20	20
	26	lh	56	H01933.08.04	20	20
	35	rh	63	H00945.08.04	20	20
	35	lh	63	H01945.08.04	20	20

* Stock exhaustion



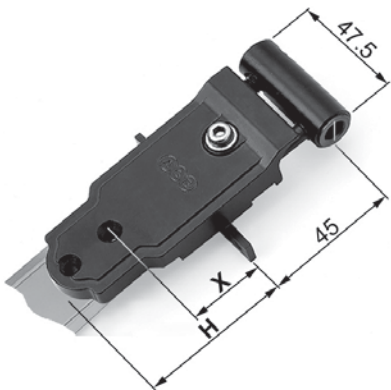
Abaco - Hinges



Adjustable hinge - for corner and vertical plates - 45x8 rebated

ZAMAK	X	H			
Black	26	rh	56	H00940.08.93	20 20
	26	lh	56	H01940.08.93	20 20
	35	rh	63	H00942.08.93	20 20
	35	lh	63	H01942.08.93	20 20
Bichromated*	26	rh	56	H00940.08.04	20 20
	26	lh	56	H01940.08.04	20 20
	35	rh	63	H00942.08.04	20 20
	35	lh	63	H01942.08.04	20 20

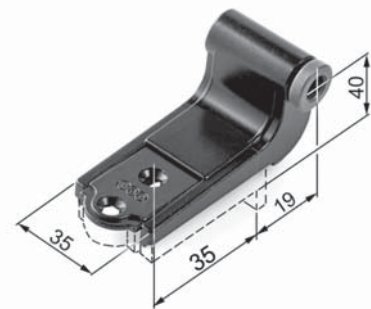
* Stock exhaustion



Adjustable hinge - for horizontal plate - 45x8 rebated

ZAMAK	X	H			
Black	26	rh	56	H00941.08.93	20 20
	26	lh	56	H01941.08.93	20 20
	35	rh	63	H00943.08.93	20 20
	35	lh	63	H01943.08.93	20 20
Bichromated*	26	rh	56	H00941.08.04	20 20
	26	lh	56	H01941.08.04	20 20
	35	rh	63	H00943.08.04	20 20
	35	lh	63	H01943.08.04	20 20

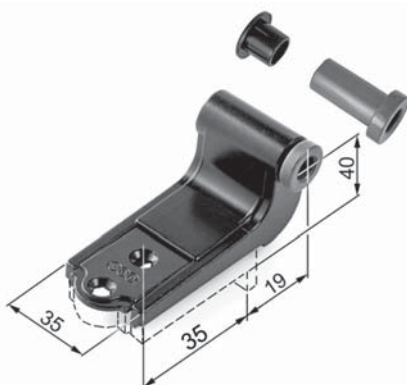
* Stock exhaustion



Adjustable hinge - neck 40 mm for PVC

ZAMAK			
Black	H00946.40.93	20	20
Bichromated*	H00946.40.04	20	20

* Stock exhaustion



Adjustable hinge - neck 40 mm for PVC, removable bushing

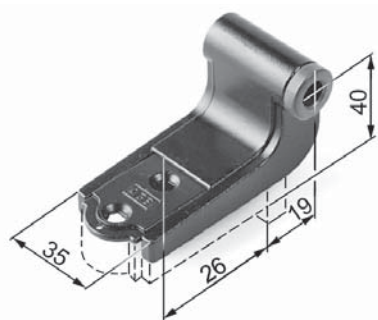
ZAMAK			
Black	H01946.40.93	20	20
Bichromated*	H01946.40.04	20	20

NB: to be used with pintle H08028.18.xx

* Stock exhaustion



Abaco - Hinges

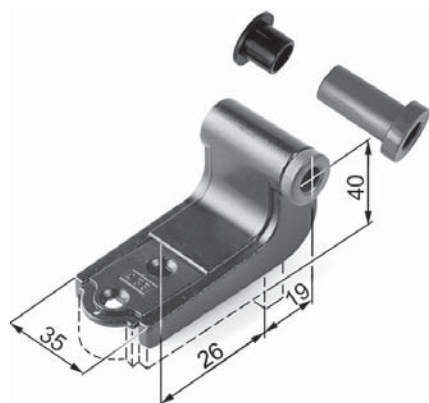


Adjustable hinge - neck 40 mm for timber

ZAMAK

Black	H00947.40.93	20	20
Bichromated*	H00947.40.04	20	20

* Stock exhaustion



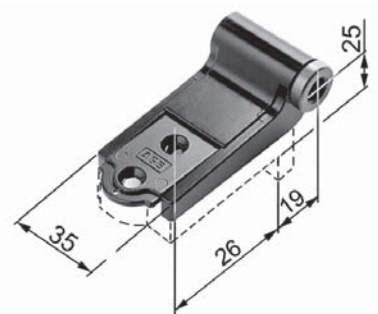
Adjustable hinge - neck 40 mm for timber, removable bushing

ZAMAK

Black	H01947.40.93	📞 20	20
Bichromated*	H01947.40.04	20	20

NB: to be used with pintle H08028.18.xx

* Stock exhaustion

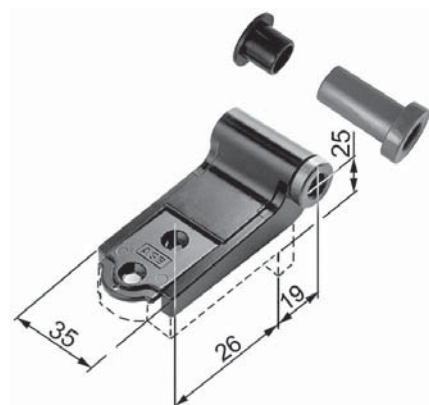


Adjustable hinge - neck 25 mm for timber

ZAMAK

Black	H00948.25.93	20	20
Bichromated*	H00948.25.04	20	20

* Stock exhaustion



Adjustable hinge - neck 25 mm for timber, removable bushing

ZAMAK

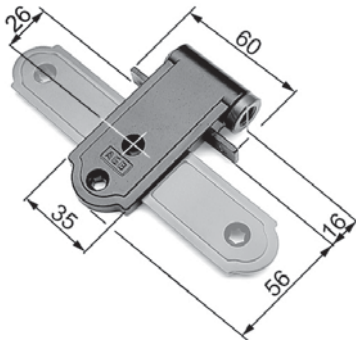
Black	H01948.25.93	📞 20	20
Bichromated*	H01948.25.04	20	20

NB: to be used with pintle H08028.18.xx

* Stock exhaustion

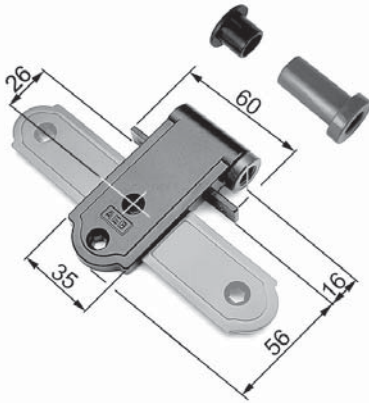


Abaco - Hinges



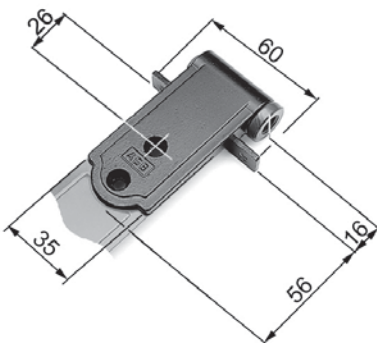
Fixed hinge - for corner and vertical plates - 16x0 rebated

ZAMAK			
Black	H00927.00.93	20	20
Bichromated*	H00927.00.04	20	20
* Stock exhaustion			



Fixed hinge - corner and vert. plates - 16x0 rebated, remov. b

ZAMAK			
Black	H01927.00.93	☎ 20	20
Bichromated*	H01927.00.04	20	20
NB: to be used with pintle H08028.18.xx			
* Stock exhaustion			

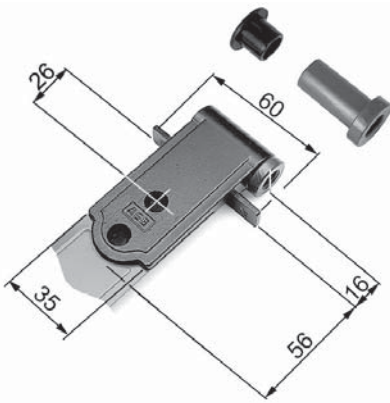


Fixed hinge - for horizontal plate - 16x0 rebated

ZAMAK			
Black	H00923.00.93	20	20
Bichromated*	H00923.00.04	20	20
* Stock exhaustion			



Abaco - Hinges



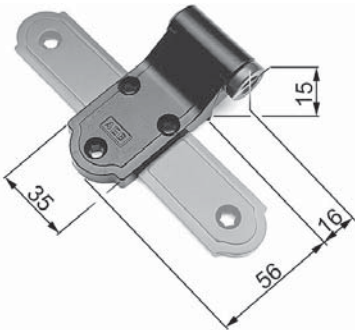
Fixed hinge - 16x0 rebated for horizontal plate, remov. bushing

ZAMAK

Black	H01923.00.93	☎	20	20
Bichromated*	H01923.00.04		20	20

NB: to be used with pintle H08028.18.xx

* Stock exhaustion

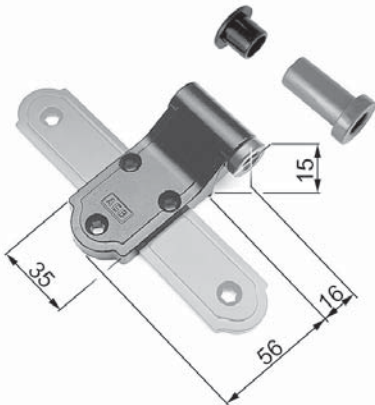


Fixed hinge - for corner and vertical plates - 16x15 flush

ZAMAK

Black	H00927.15.93		20	20
Bichromated*	H00927.15.04		20	20

* Stock exhaustion



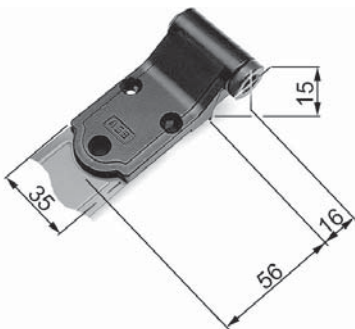
Fixed hinge - for corner and vert. plates - 16x15 flush, remov. bush.

ZAMAK

Black	H01927.15.93	☎	20	20
Bichromated*	H01927.15.04		20	20

NB: to be used with pintle H08028.18.xx

* Stock exhaustion



Fixed hinge - for horizontal plate - 16x15 flush

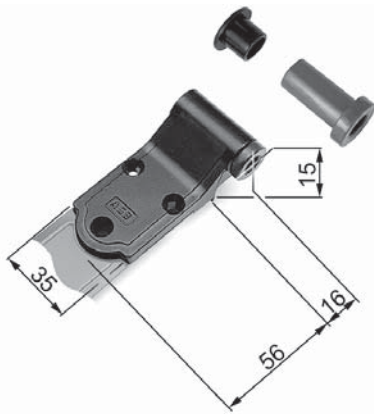
ZAMAK

Black	H00923.15.93		20	20
Bichromated*	H00923.15.04		20	20

* Stock exhaustion



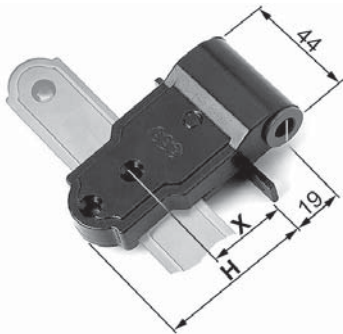
Abaco - Hinges



Fixed hinge - for horizontal plate - 16x15 flush, removable bushing

ZAMAK				
Black	H01923.15.93	☎	20	20
Bichromated*	H01923.15.04		20	20

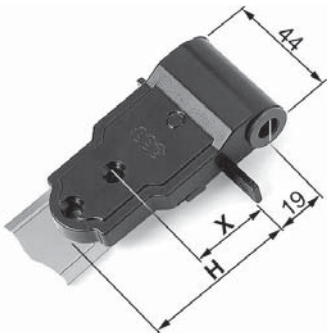
NB: to be used with pintle H08028.18.xx
* Stock exhaustion



Fixed hinge - for corner and vertical plates - 19x8 rebated

ZAMAK	X	H		
Black	35	63	H00938.08.93	20 20
Bichromated*	35	63	H00938.08.04	20 20

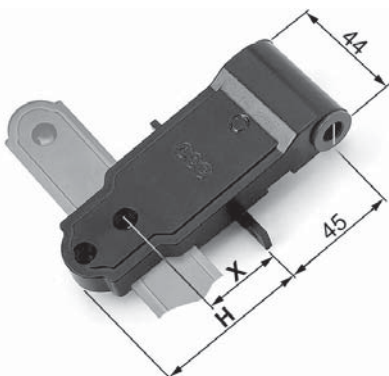
* Stock exhaustion



Fixed hinge - for horizontal plates - 19x8 rebated

ZAMAK	X	H		
Black	35	63	H00939.08.93	20 20
Bichromated*	35	63	H00939.08.04	20 20

* Stock exhaustion



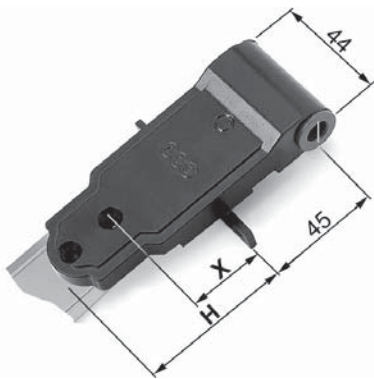
Fixed hinge - for corner and vertical plates - 45x8 rebated

ZAMAK	X	H		
Black	26	56	H00934.08.93	20 20
	35	63	H00936.08.93	20 20
Bichromated*	26	56	H00934.08.04	20 20
	35	63	H00936.08.04	20 20

* Stock exhaustion



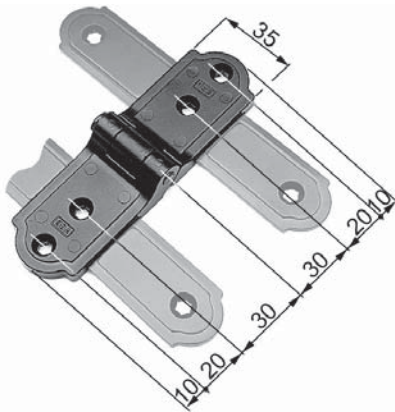
Abaco - Hinges



Fixed hinge - for horizontal plates - 45x8 rebated

ZAMAK	X	H			
Black	26	56	H00935.08.93	20	20
	35	63	H00937.08.93	20	20
Bichromated*	26	56	H00935.08.04	20	20
	35	63	H00937.08.04	20	20

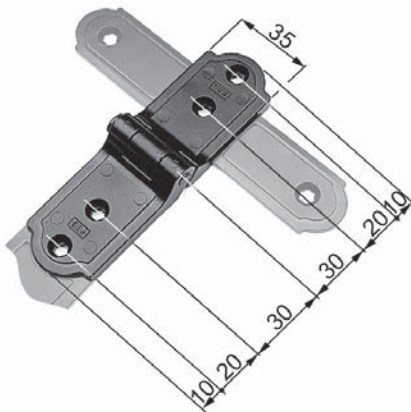
* Stock exhaustion



Coplanar - symm. hinge for corner and vertical plates 60/25

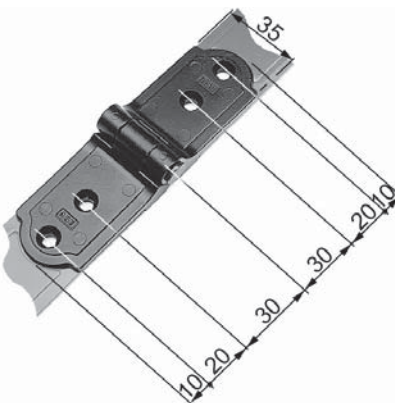
ZAMAK					
Black	60-60	H00931.01.93	20	20	
Bichromated*	60-60	H00931.01.04	20	20	

* Stock exhaustion



Coplanar - symmetrical hinge for horizontal and vertical plates

ZAMAK					
Black	60-60	H00931.11.93	☎	20	20



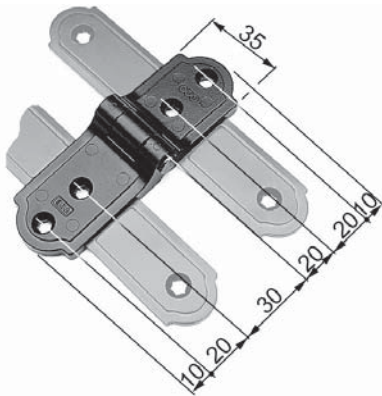
Coplanar - symmetrical hinge for horizontal plates 60/25

ZAMAK					
Black	60-60	H00931.03.93	20	20	
Bichromated*	60-60	H00931.03.04	20	20	

* Stock exhaustion



Abaco - Hinges

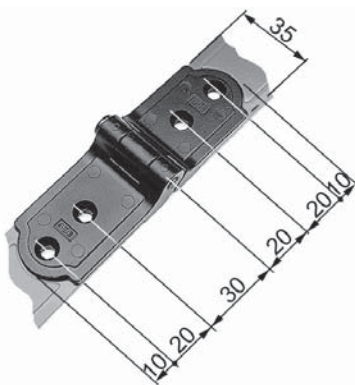


Coplanar - off-set hinge for corner and vert. plates 60/25

ZAMAK

Black	60-50	H00931.02.93	20	20
Bichromated*	60-50	H00931.02.04	20	20

* Stock exhaustion

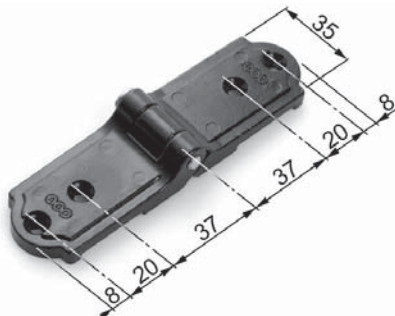


Coplanar - off-set hinge for horizontal plates 60/25

ZAMAK

Black	60-50	H00931.04.93	20	20
Bichromated*	60-50	H00931.04.04	20	20

* Stock exhaustion

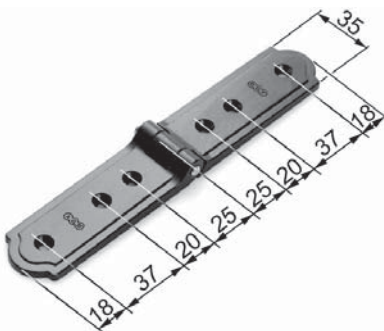


Coplanar - symm. hinge PVC for corner and vert. plates 65/25

ZAMAK

Black	65-65	H00931.06.93	20	20
Bichromated*	65-65	H00931.06.04	20	20

* Stock exhaustion



Coplanar - flat symmetrical hinge 100/16

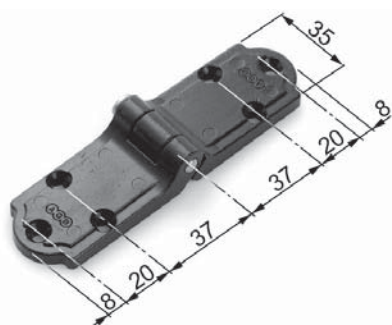
ZAMAK

Black	100-100	H00931.05.93	20	20
Bichromated*	100-100	H00931.05.04	20	20

* Stock exhaustion



Abaco - Hinges

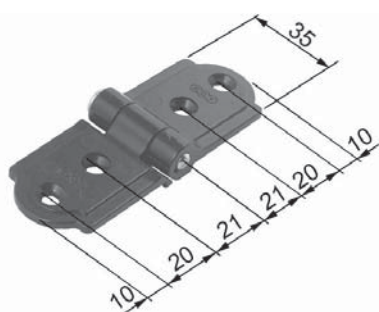


Coplanar - flat symmetrical hinge 65/25

ZAMAK

Black	65-65	H00931.08.93	20	20
Bichromated*	65-65	H00931.08.04	20	20

* Stock exhaustion

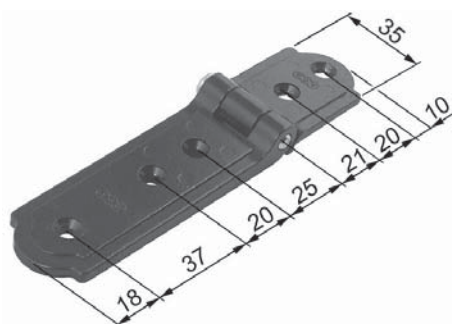


Coplanar - symmetrical hinge for horizontal plates 51/16

ZAMAK

Black	51-51	H00931.09.93	20	20
Bichromated*	51-51	H00931.09.04	20	20

* Stock exhaustion

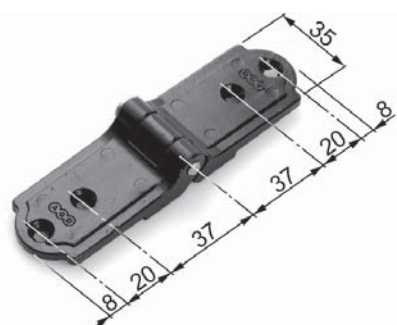


Coplanar - for horizontal plates 100/16

ZAMAK

Black	100-51	H00931.10.93	20	20
Bichromated*	100-51	H00931.10.04	20	20

* Stock exhaustion



Coplanar - symmetrical hinge PVC for horizontal plates 65/25

ZAMAK

Black	65-65	H00931.07.93	20	20
Bichromated*	65-65	H00931.07.04	20	20

* Stock exhaustion



Bult hinge for folding shutters (25 mm)

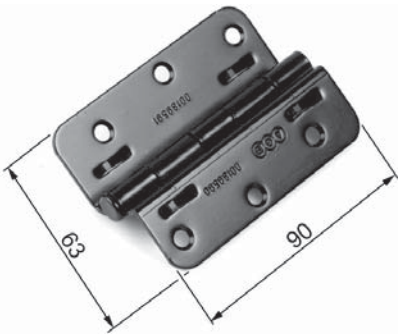
STEEL

Black	H00950.25.93	20	200
Bichromated*	H00950.25.04	20	20

* Stock exhaustion



Abaco - Hinges



Bult hinge with offset for folding shutters

STEEL

Black	H00951.25.93	20	100
Bichromated*	H00951.25.04	20	20

* Stock exhaustion

Abaco - Alla Veneta



Small strap hinge and plug for chemical anchor

STEEL

Black	H01143.13.93	☎	20	20
Bichromated*	H01143.13.04		20	20

* Stock exhaustion



Strap hinge and plug for chemical anchor

STEEL

Black	H02143.13.93	☎	20	20
Bichromated*	H02143.13.04		20	20

* Stock exhaustion



Kit Mestrina - Pintle

ZAMAK

Black	rh	H01144.18.93	20	120
	lh	H01145.18.93	20	120
Bichromated*	rh	H01144.18.04	20	120
	lh	H01145.18.04	20	120

* Stock exhaustion



Kit Mestrina - Hinge

ZAMAK

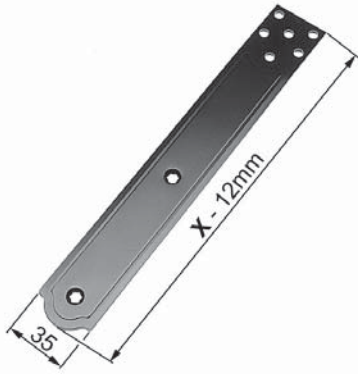
Black		H00144.18.93	20	200
		H00144.18.04	20	200

* Stock exhaustion



Abaco - Plates

Horizontal plate



STEEL	X			
Black	160	H00920.01.93	20	20
	245	H00920.02.93	20	20
	330	H00920.03.93	20	20
	415	H00920.04.93	20	20
Bichromated*	160	H00920.01.04	20	20
	245	H00920.02.04	20	20
	330	H00920.03.04	20	20
	415	H00920.04.04	20	20

* Stock exhaustion

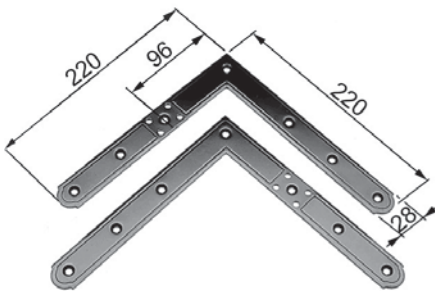
Vertical plate



STEEL				
Black		H00918.01.93	20	20
Bichromated*		H00918.01.04	20	20

* Stock exhaustion

Corner plate - 96 mm

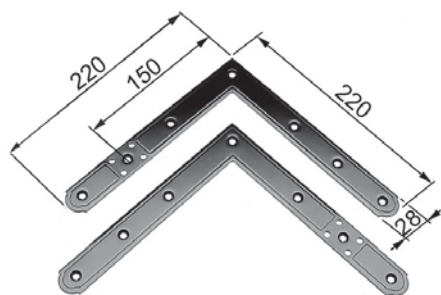


STEEL				
Black	up.lh/low.rh	H00919.03.93	20	20
	up.rh/low.lh	H00919.04.93	20	20
Bichromated*	up.lh/low.rh	H00919.03.04	20	20
	up.rh/low.lh	H00919.04.04	20	20

* Stock exhaustion



Abaco - Plates

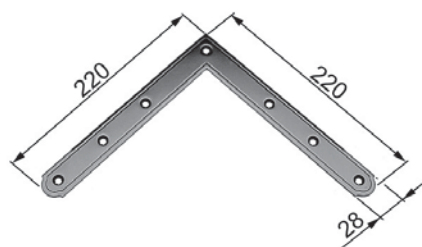


Corner plate - 150 mm

STEEL				
Black	up.lh/low.rh	H00919.01.93	20	20
	up.rh/low.lh	H00919.02.93	20	20
	up.lh/low.rh for PVC*	H00919.05.93	20	20
	up.rh/low.lh for PVC*	H00919.06.93	20	20
Bichromated*	up.lh/low.rh	H00919.01.04	20	20
	up.rh/low.lh	H00919.02.04	20	20

* Without corner screw

* Stock exhaustion



Dummy corner plate

STEEL				
Black		H00919.00.93	20	20
Bichromated*		H00919.00.04	20	20

* Stock exhaustion

Horizontal connecting plate for articulated shutters



STEEL - Bracket size		H				
Black	140-150	106	H00952.01.93	20	20	
	160-170	126	H00952.02.93	20	20	
	180-190	146	H00952.03.93	20	20	
	200-210	166	H00952.04.93	20	20	
	220-230	186	H00952.05.93	20	20	
	240-250	206	H00952.06.93	20	20	
	260-270	226	H00952.07.93	20	20	
	280-290	246	H00952.08.93	20	20	
	300-310	266	H00952.09.93	20	20	
	320-330	286	H00952.10.93	20	20	
	Bichromated*	140-150	106	H00952.01.04	20	20
		160-170	126	H00952.02.04	20	20
180-190		146	H00952.03.04	20	20	
200-210		166	H00952.04.04	20	20	
220-230		186	H00952.05.04	20	20	
240-250		206	H00952.06.04	20	20	
260-270		226	H00952.07.04	20	20	
280-290		246	H00952.08.04	20	20	
300-310		266	H00952.09.04	20	20	
320-330		286	H00952.10.04	20	20	

* Stock exhaustion



Abaco - Wall catch

Hinge catch for shutters

ZAMAK

Black	lh	H00913.00.93	20	20
	rh	H00913.01.93	20	20
Bichromated*	lh	H00913.00.04	20	20
	rh	H00913.01.04	20	20

* Stock exhaustion

Wall catch for shutters

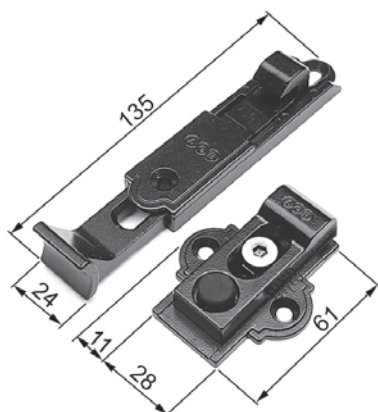
ZAMAK

Black		H00926.00.93	20	20
Silver**	●	H00926.00.15	20	20
Bichromated*		H00926.00.04	20	20
QC Silver***	●	H00926.00.21	20	20

* Stock exhaustion

** Available until May 2010

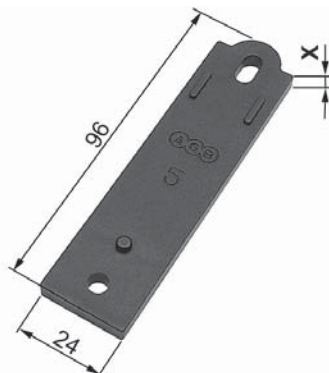
*** Available from June 2010



Shim for wall catch for shutters

NYLON

	X			
Black	5	H00926.02.93	20	20
	15	H00926.01.93	20	20





Abaco - Wall catch

Wall catch for shutters with handle

ZAMAK

Black	H01926.00.93	20	20
Silver**	● H01926.00.15	20	20
Bichromated*	H01926.00.04	20	20
QC Silver***	● H01926.00.21	20	20

* Stock exhaustion

** Available until May 2010

*** Available from June 2010



Shim for handle for movable breaksun

STEEL

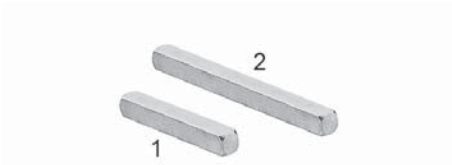
H01926.04.93	20	20
--------------	----	----



6 mm hub

STEEL

1	Door thickness 22/38 mm	H01926.38.00	20	200
2	Door thickness 39/54 mm	H01926.54.00	20	200

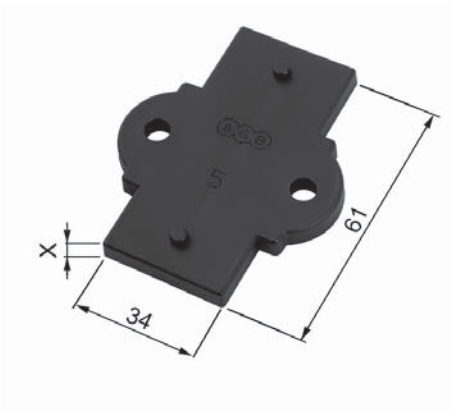


Shim for wall catch for shutters

NYLON

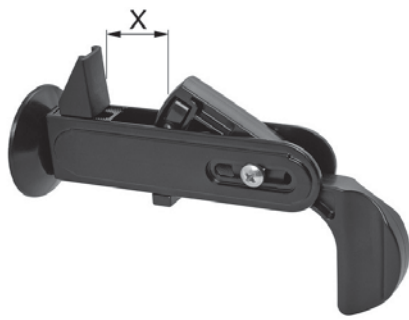
X

Black	5	H00926.04.93	20	20
-------	---	--------------	----	----





Abaco - Wall catch



Archimede, automatic wall catch

STEEL	X				
Black	15-45	GR 1	H02926.01.93	20	20
	45-75	GR 2	H02926.02.93	20	20
	75-105	GR 3	H02926.03.93	20	20
	105-135	GR 4	H02926.04.93	20	20



Anti-removal stop for "alla padovana" shutters

	H02926.98.00	20	20
--	--------------	----	----



Wall catch for shutters - for insulating panels application

ZAMAK			
Black	H00926.03.93	20	20
Bichromated*	H00926.03.04	20	20

* Stock exhaustion



Wall catch for shutters with handle - for insulating panels application

ZAMAK			
Black	H01926.01.93	20	20
Bichromated*	H01926.01.04	20	20

* Stock exhaustion



Shim for wall catch on insulating panels application

NYLON			
	● H01926.05.93	20	20



Abaco - Wall catch



Screw anchor for insulating panels applications

NYLON

H 50 mm*	ø10	H00901.47.10	50	50
H 100 mm	ø14	H00901.47.14	40	40
H 135 mm	ø14	H00901.48.14	40	40
H 185 mm	ø14	H00901.48.15	40	40

*for pin L 96



Pivot for wall catch for insulating panels applications

STEEL

Silver**

L

98	H00904.14.15	20	20
135	H01904.14.15	20	20
170	H01904.17.15	20	20
220	H01904.22.15	20	20

** Available until May 2010

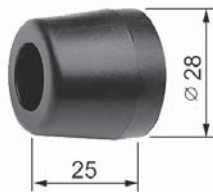


Abaco - Accessories



Spring bumpers

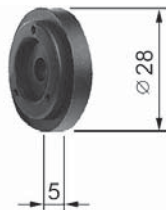
Black	H00922.02.93	20	20
-------	--------------	----	----



Rubber bumper

RUBBER

Black	H00922.00.93	20	20
-------	--------------	----	----



Shim for bumpers

Black	H00922.01.93	20	1000
-------	--------------	----	------



Supporting kit for rebated sash

ZAMAK

Black	H00901.59.93	1	20
-------	--------------	---	----



Supporting kit for flush sash

ZAMAK

Black	H00901.60.93	1	20
-------	--------------	---	----



Abaco - Accessories



Supporting kit for shutter sill

Supporting kit for shutter sill				
Black	Rh	H00901.93.93	1	20
	Sx	H00901.94.93	1	20



Hinge bushing, rebovable pin

		H00000.01.00	20	200
--	--	--------------	----	-----



Hinge cap, rebovable pin

		H00000.02.00	20	200
--	--	--------------	----	-----



Hinge bushing, L40

		H00000.03.00	20	200
--	--	--------------	----	-----



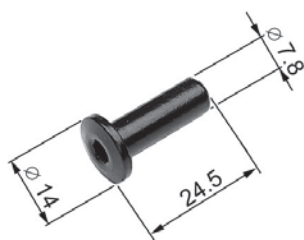
Carriage bolts for plates

STAINLESS STEEL		H		
Black		25	H00916.25.93	100 100
		30	H00916.30.93	100 100
		35	H00916.35.93	100 100
		40	H00916.40.93	100 100
		45	H00916.45.93	100 100
		50	H00916.50.93	100 100
		55	H00916.55.93	100 100
		60	H00916.60.93	100 100
Plain		25	H00916.25.01	☎ 100 100
		30	H00916.30.01	☎ 100 100
		35	H00916.35.01	☎ 100 100
		40	H00916.40.01	☎ 100 100
		45	H00916.45.01	☎ 100 100
		50	H00916.50.01	☎ 100 100
		55	H00916.55.01	☎ 100 100
		60	H00916.60.01	☎ 100 100
Bichromated*		25	H00916.25.04	100 100
		30	H00916.30.04	100 100
		35	H00916.35.04	100 100
		40	H00916.40.04	100 100
		45	H00916.45.04	100 100
		50	H00916.50.04	100 100
		55	H00916.55.04	100 100
		60	H00916.60.04	100 100

* Stock exhaustion



Abaco - Accessories



M5 threaded bushings for carriage bolts

ZAMAK

Black	H00916.00.93	100	1400
Bichromated*	H00916.00.04	100	1400

* Stock exhaustion

Wheel for sliding shutters

STEEL

Bichromated*	16 mm width	G00751.00.16	20	200
	18 mm width	G00751.00.18	20	200

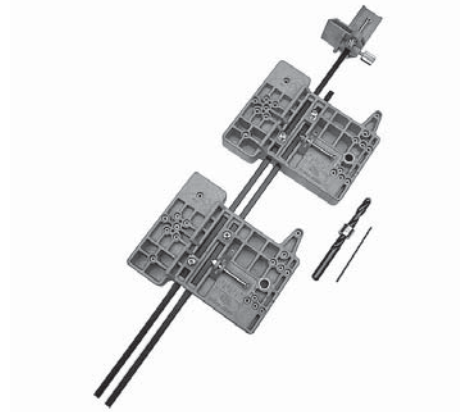
* Stock exhaustion





Abaco - Jigs

Jig kit - for sash/frame



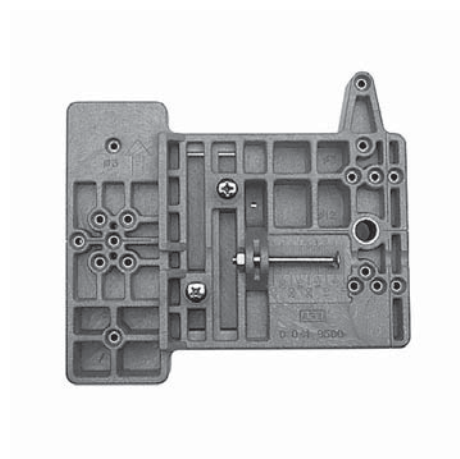
H00930.01.01	1	1
--------------	---	---

Adjustable upper stop for jig



H00930.00.02	1	1
--------------	---	---

Single Jig - for sash/frame



H00930.00.01	1	1
--------------	---	---

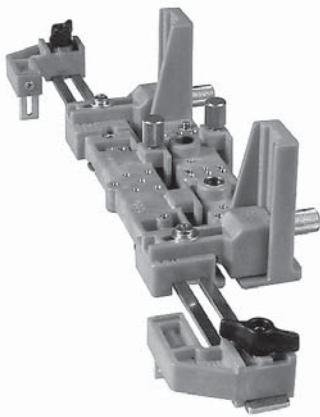


Abaco - Jigs



Jig for wall catch for shutters

H00930.03.01	1	1
--------------	---	---



Jig for simultaneous sash and frame drilling

H00930.02.01	1	1
--------------	---	---



Kit for masonry pintles (inclination 60°)

H00930.05.01	1	1
--------------	---	---

Content: 1600-2400mm aluminium drawn (2 pcs)

refer bases (2 pcs)

masonry jigs 60° (3 pcs)

shims for reference blocks (6 pcs)



Abaco - Jigs

Sash drilling for automatic wall catch with handle

H00930.03.02	1	1
--------------	---	---



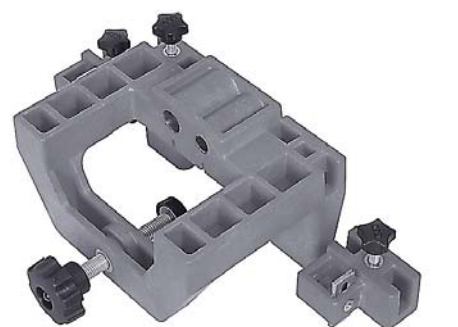
Wall catch handle positioning

H00930.03.03	1	1
--------------	---	---



Complete jig kit for Archimede wall catch

H00930.03.07	1	1
--------------	---	---





Traditional pintles for Timber casing

Rounded head

STEEL		H			
Black	ø16	90	H00177.16.93	20	100
	ø18	105	H00177.18.93	20	100
Bronze plated	ø16	90	H00177.16.02	20	100
Enam. brass plated	ø16	90	H00177.16.03	20	100
Bichromated*	ø16	90	H00177.16.04	20	100
	ø18	105	H00177.18.04	20	100

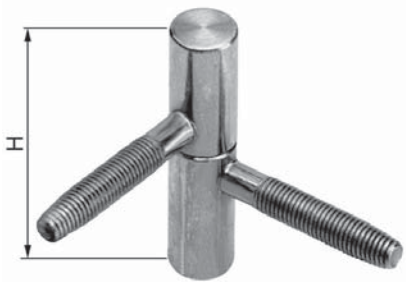
* Stock exhaustion



Mod.179

STEEL		H			
Black	ø18	80	H00179.18.93	20	100
Bichromated*	ø18	80	H00179.18.04	20	100

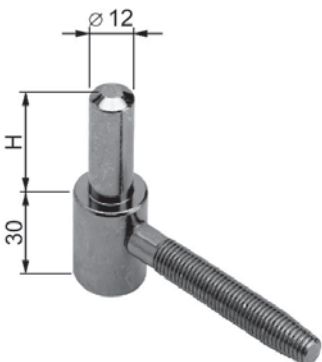
* Stock exhaustion



Mod.184

STEEL		H			
Black	ø20	32	H00184.20.93	12	240
	ø20	42	H00185.20.93	12	240
Bichromated*	ø20	32	H00184.20.04	12	240
	ø20	42	H00185.20.04	12	240

* Stock exhaustion



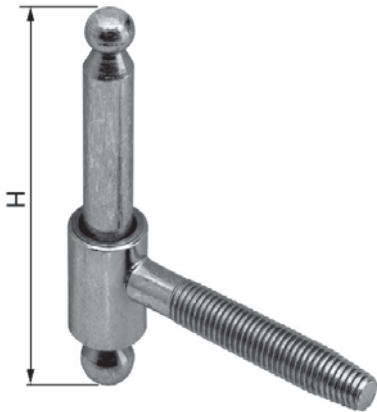


Traditional pintles for Timber casing

Old style

STEEL		H			
Black	ø16	91	H00188.16.93	24	480
	ø20	91	H00189.20.93	12	240
	ø20	99	H00190.20.93	12	240
Bichromated*	ø16	91	H00188.16.04	24	480
	ø20	91	H00189.20.04	12	240
	ø20	99	H00190.20.04	12	240

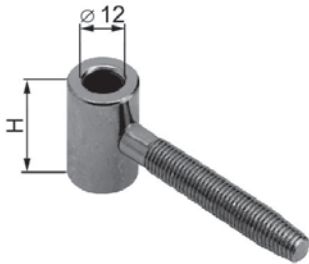
* Stock exhaustion



Pintle hinge with central screw pin

STEEL		H			
Black	ø20	30	H00147.20.93	200	200
Bichromated*	ø20	30	H00147.20.04	200	200

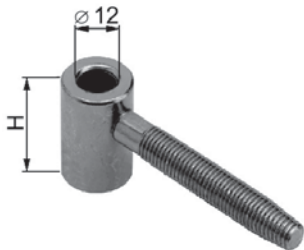
* Stock exhaustion



Pintle hinge with offset screw pin

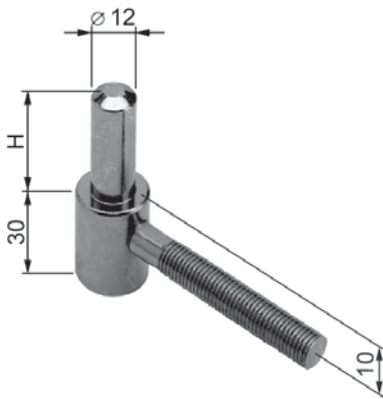
STEEL		H			
Black	ø20	30	H00148.20.93	200	200
Bichromated*	ø20	30	H00148.20.04	200	200

* Stock exhaustion





Traditional pintles - Screw anchor fixing

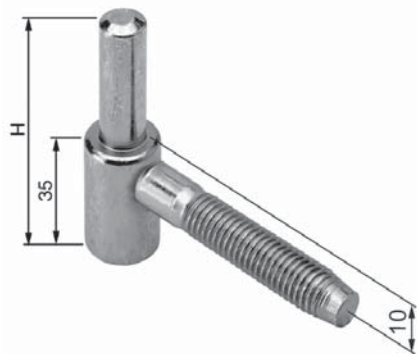


Fixed pin - Mod. 186

STEEL - M12X125 screw		H			
Black	ø20	32	H00186.20.93	12	60
	ø20	42	H00187.20.93	12	60
Bichromated*	ø20	32	H00186.20.04	12	60
	ø20	42	H00187.20.04	12	60
QC Silver***	ø20	42	● H00187.20.21	12	60

* Stock exhaustion

*** Available from June 2010



Fixed pin - Mod 1189

STEEL - M10X60 screw		H			
Black	ø20	70	H01191.20.93	12	60
	ø20	70	H01191.20.04	12	60

STEEL - M12X65 screw		H			
Black	ø20	70	H01189.20.93	12	60
	ø20	70	H01189.20.04	12	60

STEEL - M12X85 screw		H			
Black	ø20	70	H01190.20.93	12	60
	ø20	70	H01190.20.04	12	60

* Stock exhaustion



Pintle hinge with plug

STEEL		H			
Black zinc plated	ø14	13	H00143.14.09	50	250
	ø14	13	H00143.14.04	50	250

* Stock exhaustion

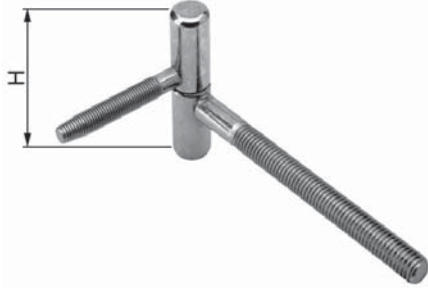


Traditional pintles - Screw anchor fixing

Mod.180 - with fixed pivot

STEEL - M12X125 screw		H			
Black	ø18	80	H00180.18.93	10	50
Bichromated*	ø18	80	H00180.18.04	10	50

* Stock exhaustion

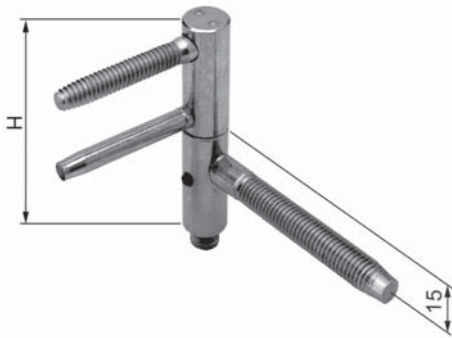


Loose pivot - double adjustment, with security grub screw

STEEL - M12X85 screw		H			
Black	ø18	105	H00149.18.93	12	60
Bichromated*	ø18	105	H00149.18.04	12	60
QC Silver***	ø18	105	● H00149.18.21	12	60

* Stock exhaustion

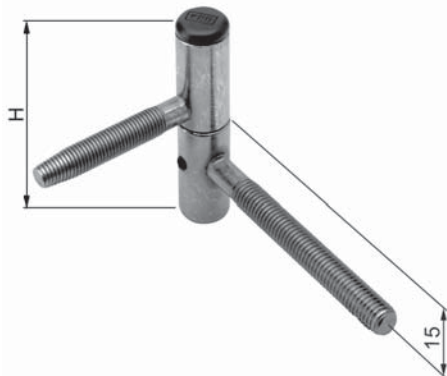
*** Available from June 2010



Mod. 8018, with loose pivot and security grub screw

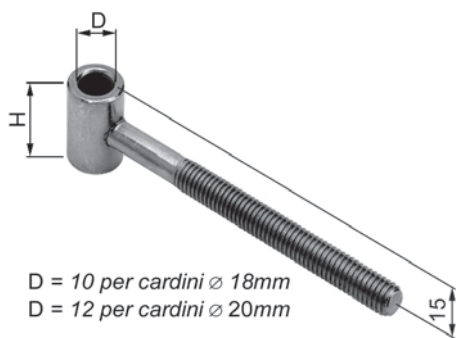
STEEL - M10X85 screw		H			
Black	ø18 rh	80,5	H08018.18.93	12	60
	ø18 lh	80,5	H08019.18.93	12	60
Bichromated*	ø18 rh	80,5	H08018.18.04	12	60
	ø18 lh	80,5	H08019.18.04	12	60

* Stock exhaustion





Traditional pintles - Screw anchor fixing

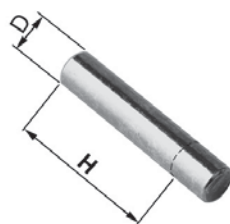


Pintle hinge - straight

STEEL	D		H				
Black	ø18	M10X100	30		H11820.18.93	12	120
	ø20	M12X100	30		H11820.20.93	12	120
Bichromated*	ø18	M10X100	30		H11820.18.04	12	120
	ø20	M12X100	30		H11820.20.04	12	120

NB: dime H00182.xx.xx

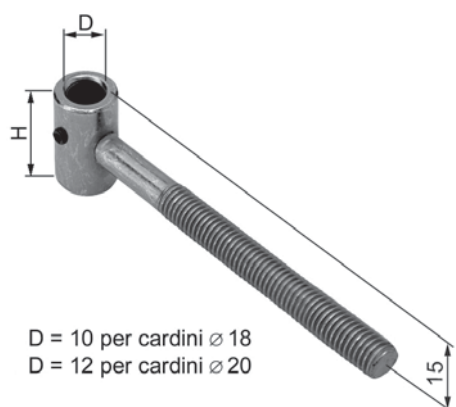
* Stock exhaustion



Pivot for straight pintle hinge

STEEL	D		H				
Black zinc plated	ø10	pintle ø18	30		H01853.30.09	12	120
	ø10	pintle ø18	35		H01853.35.09	12	120
	ø10	pintle ø18	40		H01853.40.09	12	120
Bichromated*	ø10	pintle ø18	30		H01853.30.04	12	120
	ø10	pintle ø18	35		H01853.35.04	12	120
	ø10	pintle ø18	40		H01853.40.04	12	120
Black zinc plated	ø12	pintle ø20	30		H01852.30.09	12	120
	ø12	pintle ø20	35		H01852.35.09	12	120
	ø12	pintle ø20	40		H01852.40.09	12	120
Bichromated*	ø12	pintle ø20	30		H01852.30.04	12	120
	ø12	pintle ø20	35		H01852.35.04	12	120
	ø12	pintle ø20	40		H01852.40.04	12	120

* Stock exhaustion



Pintle hinge - straight with security grub screw

STEEL	D		H				
Black	ø18	lh M10X100	30		H11831.18.93	12	120
	ø18	rh M10X100	30		H11830.18.93	12	120
Bichromated*	ø18	lh M10X100	30		H11831.18.04	12	120
	ø18	rh M10X100	30		H11830.18.04	12	120
Black	ø20	lh M12X100	30		H11831.20.93	12	120
	ø20	rh M12X100	30		H11830.20.93	12	120
Bichromated*	ø20	lh M12X100	30		H11831.20.04	12	120
	ø20	rh M12X100	30		H11830.20.04	12	120

NB: dime H00182.xx.xx

* Stock exhaustion

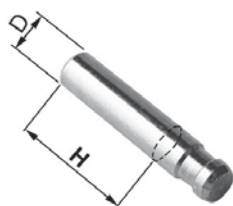


Perno sfilabile - Cardine normale reversibile con grano di bloccaggio

STEEL	D		H				
Black	ø20	M12X125	30	●	H12053.12.93	12	120
	ø20	M12X145	30	●	H12053.14.93	12	120
	ø20	M12X175	30	●	H12053.17.93	12	120



Traditional pintles - Screw anchor fixing



Pivot for straight pintle hinge with security grub screw

STEEL	D	H				
Black zinc plated	ø10 pintle ø18	30	H01851.30.09	12	120	
	ø10 pintle ø18	35	H01851.35.09	12	120	
	ø10 pintle ø18	40	H01851.40.09	12	120	
Bichromated*	ø10 pintle ø18	30	H01851.30.04	12	120	
	ø10 pintle ø18	35	H01851.35.04	12	120	
	ø10 pintle ø18	40	H01851.40.04	12	120	
Black zinc plated	ø12 pintle ø20	30	H01850.30.09	12	120	
	ø12 pintle ø20	35	H01850.35.09	12	120	
	ø12 pintle ø20	40	H01850.40.09	12	120	
Bichromated*	ø12 pintle ø20	30	H01850.30.04	12	120	
	ø12 pintle ø20	35	H01850.35.04	12	120	
	ø12 pintle ø20	40	H01850.40.04	12	120	

* Stock exhaustion



Pintle hinge - tapered hole

STEEL	D	H				
Black	ø 20 M12X100	30	H11834.20.93	12	120	
	ø 20 M12X125	30	H11834.04.93	12	120	
	ø 20 M12X145	30	H11834.05.93	12	120	
	ø 20 M12X175	30	H11834.06.93	12	12	
	ø 20 M12X100	30	H11834.20.04	12	120	
Bichromated*	ø 20 M12X125	30	H11834.04.04	12	120	
	ø 20 M12X145	30	H11834.05.04	12	120	
	ø 20 M12X175	30	H11834.06.04	12	12	

NB: dime H00182.xx.xx

* Stock exhaustion



Pintle hinge - reversible tapered hole, security grub screw

STEEL	D	H				
Black	ø 20 M12X120	30	H11835.03.93	12	120	
	ø 20 M12X125	30	H11835.04.93	12	120	
	ø 20 M12X175	30	H11835.06.93	12	12	
	ø 20 M20X240	30	H11836.10.93	12	12	



STEEL	D	H				
Black	ø 20 M18X145	30	● H12035.29.93	12	12	
	ø 20 M18X170	30	● H12035.25.93	12	12	
	ø 20 M18X240	30	● H12035.26.93	12	12	



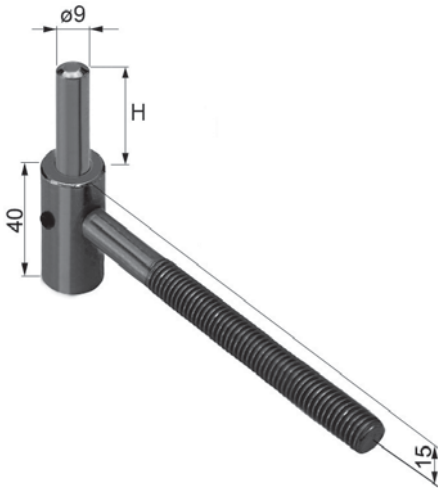
Traditional pintles - Screw anchor fixing



Pivot for tapered pintle hinge

STEEL	D	H			
Black zinc plated	ø12	30	H11850.30.09	12	120
	ø12	35	H11850.35.09	12	120
	ø12	40	H11850.40.09	12	120
Bichromated*	ø12	30	H11850.30.04	12	120
	ø12	35	H11850.35.04	12	120
	ø12	40	H11850.40.04	12	120

* Stock exhaustion



STEEL - M12X175 screw		H			
Black	ø18 rh	30	HA1851.17.93	☎ 20	20
	ø18 lh	30	HA1852.17.93	☎ 20	20

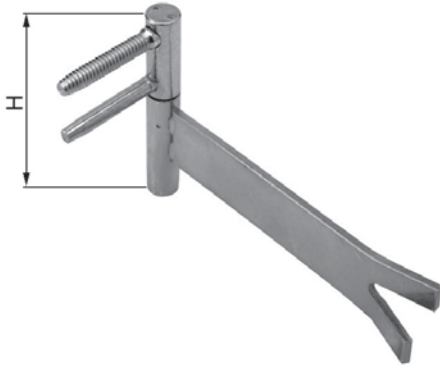


Traditional pintles - masonry pintles

Mod. Top, adjustable

STEEL	D	H			
Bichromated*	ø16	99	H00153.16.04	6	60
	ø20	111	H00153.20.04	6	60

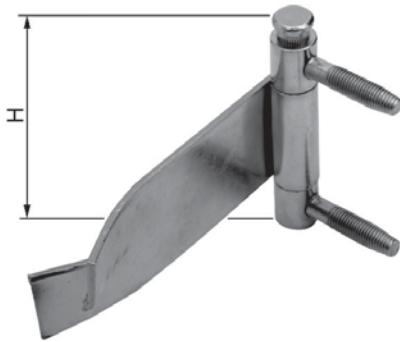
* Stock exhaustion



Mod. Tria

STEEL	D	H			
Black	ø18	92	H00175.18.93	6	60
Bichromated*	ø18	92	H00175.18.04	6	60

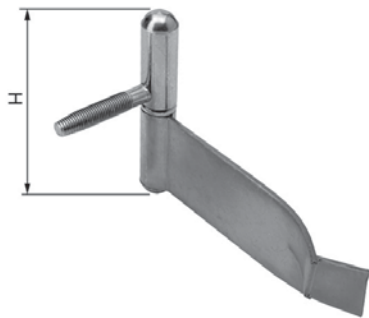
* Stock exhaustion



Mod. with rounded head

STEEL	D	H			
Black	ø16	90	H00176.16.93	6	60
	ø18	110	H00176.18.93	6	60
Bichromated*	ø16	90	H00176.16.04	6	60
	ø18	110	H00176.18.04	6	60

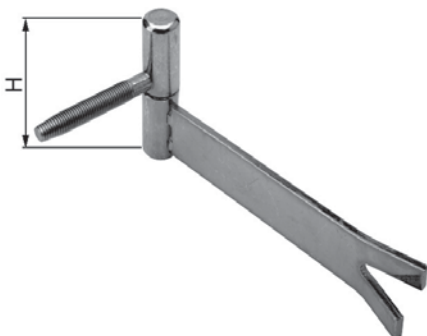
* Stock exhaustion



Mod.178

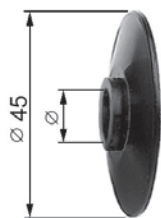
STEEL	D	H			
Black	ø18	80	H00178.18.93	6	60
Bichromated*	ø18	80	H00178.18.04	6	60

* Stock exhaustion





Traditional pintles - Accessories



Washer for pintle

NYLON	Ø			
Black	M10	H00917.02.93	100	100
	M12	H00917.01.93	100	100



Screw anchor

NYLON				
	L 135 mm	H00901.48.01	50	50
	L 100 mm	H00901.47.01	50	50



Traditional pintles - jigs

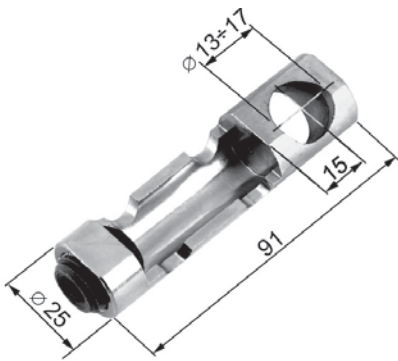


For pintles art. H11820, H11830

		D		
Hole 12 mm	ø18	H00182.10.12	5	5
	ø20	H00182.12.12	5	5
Hole 16 mm	ø18	H00182.10.16	5	5
	ø20	H00182.12.16	5	5
Hole 20 mm	ø18	H00182.10.20	5	5
	ø20	H00182.12.20	5	5
Hole 22 mm	ø18	H00182.10.22	5	5
	ø20	H00182.12.22	5	5

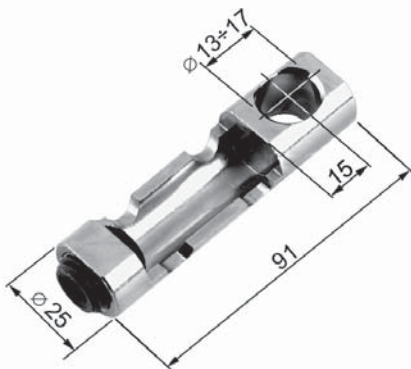
For pintles art. H08018, H08019

Hole 12 mm		H00183.10.12	5	5
Hole 16 mm		H00183.10.16	5	5
Hole 20 mm		H00183.10.20	5	5
Hole 22 mm		H00183.10.22	5	5



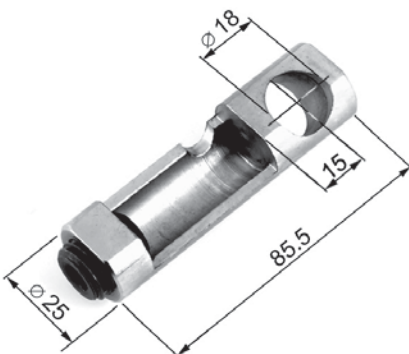
For pintles art. H00149, H00928 e H01149 - inclination 30°

Hole 12 mm	rh	H01149.12.30	5	5
	lh	H01149.12.31	5	5
Hole 16 mm	rh	H01149.16.30	5	5
	lh	H01149.16.31	5	5



For pintles art. H00149, H00928 e H01149 - inclination 90°

Hole 12 mm		H01149.12.90	5	5
Hole 16 mm		H01149.16.90	5	5



For pintles art. H00149, H08018 - inclination 30°

Hole 17 mm	rh	H01180.17.30	5	5
	lh	H01180.17.31	5	5

BICHROMATED HARDWARE



Multipoint lock tropical



Sicurtop POSEIDON - 85 mm centre	pag.	531
Sicurtop mod. 1685 - 85 mm centre with rollers - not extensible	pag.	532
Sicurtop mod. 1686 - 85 mm centre with roller cams	pag.	533
Sicurtop mod. 11400 - 85mm centre with mushroom cams	pag.	534
Sicurtop mod. 1688 - 85 mm centre with bolts and cams	pag.	535
Sicurtop - Terminals	pag.	536
Sicurtop - Extension	pag.	538
Sicurtop - Electric strikers half wing	pag.	539
Sicurtop - Electric strikers long wing	pag.	540
Sicurtop - Strikers	pag.	541
Sicurtop - One-piece strikers for Poseidon, single sash	pag.	545
Sicurtop - One-piece striker for Poseidon, double sash	pag.	546
Sicurtop - Lever Bolts	pag.	547
Sicurtop - Roundbolts	pag.	548



Unitop Poseidon	pag.	549
Unitop mod. 457 - 2454 with rollers - not extensible	pag.	550
Unitop mod. 458 - 1455 with rollers and shootbolt	pag.	551
Unitop mod. 459 - 2456 with rollers and shootbolts (stock exhaustion)	pag.	552
Unitop mod. 2461 with hooks+rollers - not extensible	pag.	553
Unitop mod. 1462 with hooks + rollers and shootbolt	pag.	554
Unitop mod. 2459 - with shoot bolts only for inactive sash	pag.	555
Unitop - Terminals	pag.	556
Unitop - Extensions	pag.	557
Unitop - Strikers	pag.	558
Unitop - U 30 steel strikers for PVC	pag.	562
Unitop - One-piece strikers for Poseidon, single sash	pag.	563
Unitop - One-piece striker for Poseidon, double sash	pag.	564
Unitop - Striker Kits	pag.	565
Extensible Bolt for Euronut 8+5 groove	pag.	566
Unitop - Lever bolts - 8 mm shoot bolt	pag.	567
Unitop - Lever bolts - 9,5 mm shoot bolt	pag.	568

Dual - Poseidon	pag.	569
Dual - with roller cams	pag.	570
Dual - Extensions	pag.	571
Dual - Terminals	pag.	571
Dual - Strikers	pag.	572
For the remaining strikers see Unitop strikers	pag.	572



Windows hardware tropical



Espagnolettes - Tilt & Turn	pag.	574
Espagnolettes - Terminals and Accessories for Tilt & Turn	pag.	577
Espagnolettes - Turn only windows	pag.	578
Espagnolettes - Turn only and Tilt only windows	pag.	580
Espagnolettes - Sliding windows	pag.	581
Espagnolettes - Terminals and Accessories	pag.	582
Corner drives	pag.	583



Stay arm - TESI for wooden windows	pag.	585
Stay arm - ø 34 for wooden windows	pag.	586
Stay arm - Supplementary and Tilt only	pag.	587
Stay arm - TESI surface mounted	pag.	588
Central and corner locks	pag.	589



Stay supports - TESI for wooden windows	pag.	591
Stay supports - ø 34 for wooden windows	pag.	592
Stay supports - TESI surface mounted	pag.	593
Hinges - TESI for rectangular wooden windows	pag.	594
Hinges - TESI for arched and angled wooden windows	pag.	595
Hinges - ø 34 for rectangular wooden windows	pag.	597
Hinges - ø 34 for arched and angled wooden windows	pag.	597
Hinges - TESI surface mounted for rectangular PVC windows	pag.	598
Hinges - TESI surface mounted for arched and angled PVC windows	pag.	599



Accessories for inactive sash	pag.	600
Hinges for inactive sash - TESI for wooden windows	pag.	601
Hinges for inactive sash - ø 34 for wooden windows	pag.	601
Hinges for inactive sash - TESI surface mounted for PVC windows	pag.	602
Hidden central hinges	pag.	603
MAXI hinge for 3 and 4 sashes wooden windows	pag.	604
Bolts	pag.	606
Extensible Bolt for 16/12 eurogroove with pre-assembled strikers	pag.	607
Extensible Bolt for Euronut 8+5 groove	pag.	608
Extensible Bolt for Euronut 8+7 groove	pag.	609
Extensible Bolt for Euronut, 180° lever	pag.	610



Cam strikers	pag.	611
DSS strikers	pag.	613
Tilt strikers	pag.	614
Strikers for shootbolt throw	pag.	615
Strikers for supplementary stay arms for arched windows	pag.	616
Lift strikers for arched and angled windows	pag.	616
Sash catchers	pag.	617



Anti-burglar Tilt & Turn	pag.	618
Anti-burglar strikers	pag.	627
Magnétique: magnetic contacts for control and alarm systems	pag.	628

Hardware for pivot windows tropical

TOUR Components	pag.	630
TOUR Strikers - Components for strikers kits	pag.	632
TOUR Strikers	pag.	633

TOUR R Components	pag.	634
TOUR R Strikers	pag.	636

Galileo - sliding systems tropical



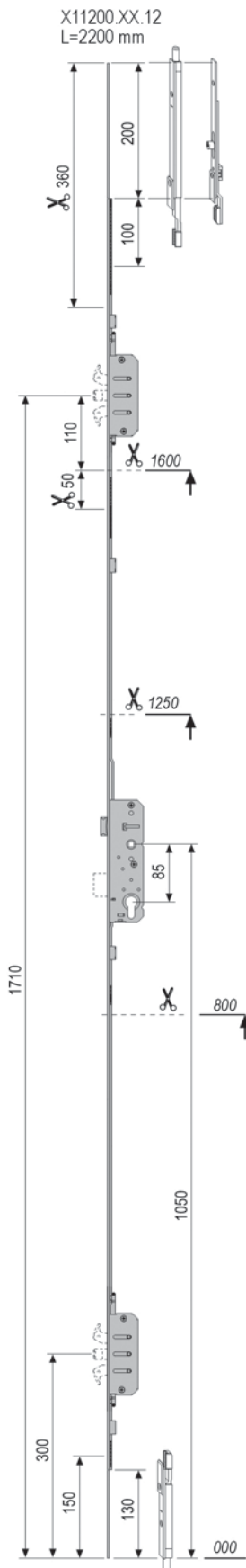
GALILEO Basic kit	pag.	638
Components	pag.	639

GALILEO SA Basic kit	pag.	644
Components	pag.	647

GALILEO CM Components	pag.	650
-----------------------	------	-----



Sicurtop POSEIDON - 85 mm centre



16 mm faceplate

APPLICATION RANGE 1840-2200 mm

Backset 35	2200 mm	2P	F11200.35.12	5	5
Backset 40	2200 mm	2P	F11200.40.12	5	5
Backset 45	2200 mm	2P	F11200.45.12	5	5
Backset 50	2200 mm	2P	F11200.50.12	5	5
Backset 55	2200 mm	2P	F11200.55.12	5	5
Backset 60	2200 mm	2P	F11200.60.12	5	5
Backset 70	2200 mm	2P	F11200.70.12	5	5

NB: Application range without terminals

APPLICATION RANGE 1950-2400 mm

Backset 35	2400 mm	2P	F11200.35.13	5	5
Backset 40	2400 mm	2P	F11200.40.13	5	5
Backset 45	2400 mm	2P	F11200.45.13	5	5
Backset 50	2400 mm	2P	F11200.50.13	5	5
Backset 55	2400 mm	2P	F11200.55.13	5	5
Backset 60	2400 mm	2P	F11200.60.13	5	5
Backset 70	2400 mm	2P	F11200.70.13	5	5

NB: Application range without terminals

20 mm faceplate

APPLICATION RANGE 1840-2200 mm

Backset 35	2200 mm	2P	F11201.35.12	5	5
Backset 40	2200 mm	2P	F11201.40.12	5	5
Backset 45	2200 mm	2P	F11201.45.12	5	5
Backset 50	2200 mm	2P	F11201.50.12	5	5
Backset 55	2200 mm	2P	F11201.55.12	5	5
Backset 60	2200 mm	2P	F11201.60.12	5	5
Backset 70	2200 mm	2P	F11201.70.12	5	5

NB: Application range without terminals

APPLICATION RANGE 1950-2400 mm

Backset 35	2400 mm	2P	F11201.35.13	5	5
Backset 40	2400 mm	2P	F11201.40.13	5	5
Backset 45	2400 mm	2P	F11201.45.13	5	5
Backset 50	2400 mm	2P	F11201.50.13	5	5
Backset 55	2400 mm	2P	F11201.55.13	5	5
Backset 60	2400 mm	2P	F11201.60.13	5	5
Backset 70	2400 mm	2P	F11201.70.13	5	5

NB: Application range without terminals

Roller latch - Extra charge

Available for all backsets

Order with end-code 210	F1120x.xx.xx.210	5	5
-------------------------	------------------	---	---

Upper roundbolt with reverse gear

To be ordered separately

16 mm faceplate - 200 mm	F01690.00.03	20	20
20 mm faceplate - 200 mm	F02090.00.03	20	20

Lower roundbolt

To be ordered separately

16 mm faceplate - 130 mm	F01690.00.01	20	100
20 mm faceplate - 130 mm	F02090.00.01	20	100

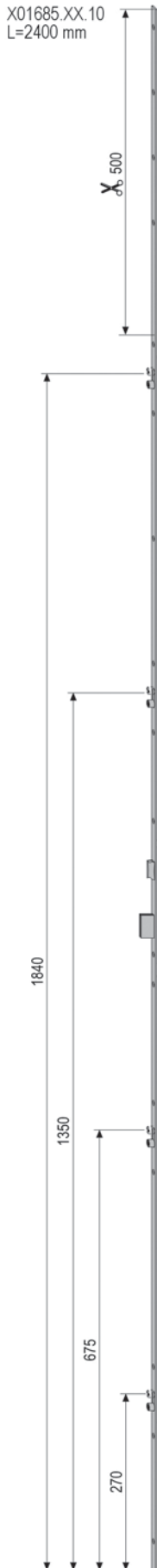
Upper terminal with roller cam

To be ordered separately

16 mm faceplate - 200 mm	1N	F01690.00.13	20	20
--------------------------	----	--------------	----	----



Sicurtop mod. 1685 - 85 mm centre with rollers - not extensible



16 mm faceplate

APPLICATION RANGE 1900-2400 mm

Backset 35	2400 mm	4 N	F01685.35.10	5	5
Backset 40	2400 mm	4 N	F01685.40.10	5	5
Backset 45	2400 mm	4 N	F01685.45.10	5	5
Backset 50	2400 mm	4 N	F01685.50.10	5	5
Backset 55	2400 mm	4 N	F01685.55.10	5	5
Backset 60	2400 mm	4 N	F01685.60.10	5	5
Backset 70	2400 mm	4 N	F01685.70.10	5	5

20 mm faceplate

APPLICATION RANGE 1900-2400 mm

Backset 35	2400 mm	4 N	F02085.35.10	5	5
Backset 40	2400 mm	4 N	F02085.40.10	5	5
Backset 45	2400 mm	4 N	F02085.45.10	5	5
Backset 50	2400 mm	4 N	F02085.50.10	5	5
Backset 55	2400 mm	4 N	F02085.55.10	5	5
Backset 60	2400 mm	4 N	F02085.60.10	5	5
Backset 70	2400 mm	4 N	F02085.70.10	5	5

Roller latch - Extra charge

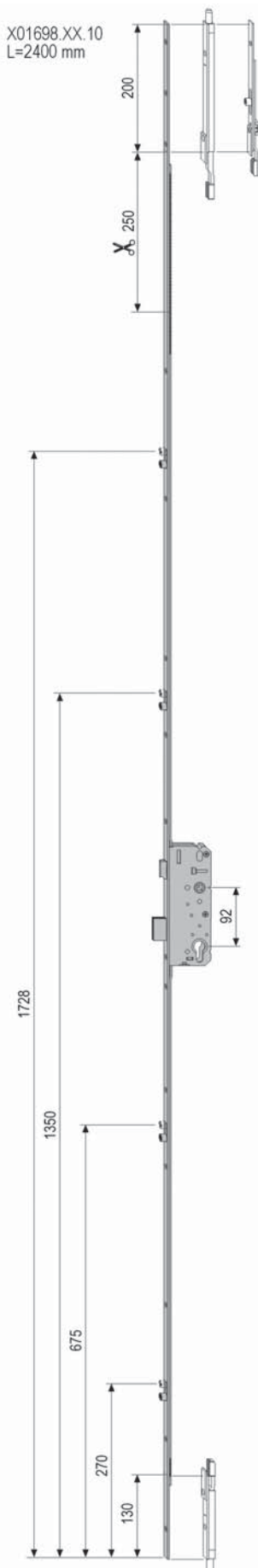
Available for all backsets

Order with end-code 210

F0xxxx.xx.xx.210 5 5



Sicurtop mod. 1686 - 85 mm centre with roller cams



16 mm faceplate

APPLICATION RANGE 1900-2150 mm

Backset 35	2150 mm	3 N	F01686.35.09	5	5
Backset 40	2150 mm	3 N	F01686.40.09	5	5
Backset 45	2150 mm	3 N	F01686.45.09	5	5
Backset 50	2150 mm	3 N	F01686.50.09	5	5
Backset 55	2150 mm	3 N	F01686.55.09	5	5
Backset 60	2150 mm	3 N	F01686.60.09	5	5
Backset 70	2150 mm	3 N	F01686.70.09	5	5

NB: Application range is inclusive of 200 mm upper terminal

APPLICATION RANGE 2150-2400 mm

Backset 35	2400 mm	4 N	F01687.35.10	5	5
Backset 40	2400 mm	4 N	F01687.40.10	5	5
Backset 45	2400 mm	4 N	F01687.45.10	5	5
Backset 50	2400 mm	4 N	F01687.50.10	5	5
Backset 55	2400 mm	4 N	F01687.55.10	5	5
Backset 60	2400 mm	4 N	F01687.60.10	5	5
Backset 70	2400 mm	4 N	F01687.70.10	5	5

NB: Application range is inclusive of 200 mm upper terminal

20 mm faceplate

APPLICATION RANGE 1900-2150 mm

Backset 35	2150 mm	3 N	F02086.35.09	5	5
Backset 40	2150 mm	3 N	F02086.40.09	5	5
Backset 45	2150 mm	3 N	F02086.45.09	5	5
Backset 50	2150 mm	3 N	F02086.50.09	5	5
Backset 55	2150 mm	3 N	F02086.55.09	5	5
Backset 60	2150 mm	3 N	F02086.60.09	5	5
Backset 70	2150 mm	3 N	F02086.70.09	5	5

NB: Application range is inclusive of 200 mm upper terminal

APPLICATION RANGE 2150-2400 mm

Backset 35	2400 mm	4 N	F02087.35.10	5	5
Backset 40	2400 mm	4 N	F02087.40.10	5	5
Backset 45	2400 mm	4 N	F02087.45.10	5	5
Backset 50	2400 mm	4 N	F02087.50.10	5	5
Backset 55	2400 mm	4 N	F02087.55.10	5	5
Backset 60	2400 mm	4 N	F02087.60.10	5	5
Backset 70	2400 mm	4 N	F02087.70.10	5	5

NB: Application range is inclusive of 200 mm upper terminal

Roller latch - Extra charge

Available for all backsets

Order with end-code 210	F0xxxx.xx.xx.210	5	5
-------------------------	------------------	---	---

Lower roundbolt

To be ordered separately

16 mm faceplate - 130 mm	F01690.00.01	20	100
20 mm faceplate - 130 mm	F02090.00.01	20	100

Upper roundbolt with reverse gear

To be ordered separately

16 mm faceplate - 200 mm	F01690.00.03	20	20
20 mm faceplate - 200 mm	F02090.00.03	20	20

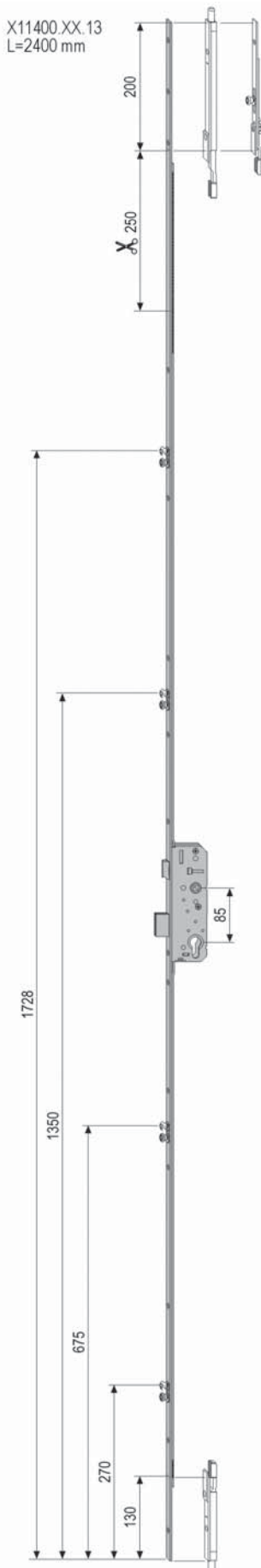
Upper terminal with roller cam

To be ordered separately

16 mm faceplate - 200 mm	1N	F01690.00.13	20	20
--------------------------	----	--------------	----	----



Sicurtop mod. 11400 - 85mm centre with mushroom cams



16 mm faceplate

APPLICATION RANGE 1900-2150 mm

Backset 35	2150 mm	3	F11400.35.12	5	5
Backset 40	2150 mm	3	F11400.40.12	5	5
Backset 45	2150 mm	3	F11400.45.12	5	5
Backset 50	2150 mm	3	F11400.50.12	5	5
Backset 55	2150 mm	3	F11400.55.12	5	5
Backset 60	2150 mm	3	F11400.60.12	5	5
Backset 70	2150 mm	3	F11400.70.12	5	5

NB: Application range is inclusive of 200 mm upper terminal

APPLICATION RANGE 2150-2400 mm

Backset 35	2400 mm	4	F11400.35.13	5	5
Backset 40	2400 mm	4	F11400.40.13	5	5
Backset 45	2400 mm	4	F11400.45.13	5	5
Backset 50	2400 mm	4	F11400.50.13	5	5
Backset 55	2400 mm	4	F11400.55.13	5	5
Backset 60	2400 mm	4	F11400.60.13	5	5
Backset 70	2400 mm	4	F11400.70.13	5	5

NB: Application range is inclusive of 200 mm upper terminal

Roller latch - Extra charge

Available for all backsets

Order with end-code 210	F11400.xx.xx.210	5	5
-------------------------	------------------	---	---

Lower roundbolt

To be ordered separately

16 mm faceplate - 130 mm	F01690.00.01	20	100
--------------------------	--------------	----	-----

Upper terminal with mushroom cam

To be ordered separately

16 mm faceplate - 200 mm	1F	F99900.00.06	20	20
--------------------------	----	--------------	----	----

Upper roundbolt with reverse gear

To be ordered separately

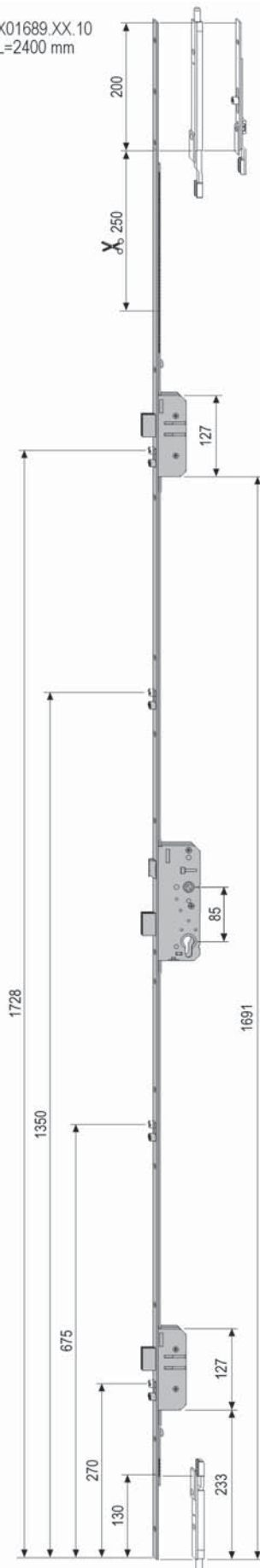
16 mm faceplate - 200 mm	F01690.00.03	20	20
--------------------------	--------------	----	----



Sicurtop mod. 1688 - 85 mm centre with bolts and cams



X01689.XX.10
L=2400 mm



16 mm faceplate

APPLICATION RANGE 1900-2150 mm

Backset 35	2150 mm	2CN + N	F01688.35.09	5	5
Backset 40	2150 mm	2CN + N	F01688.40.09	5	5
Backset 45	2150 mm	2CN + N	F01688.45.09	5	5
Backset 50	2150 mm	2CN + N	F01688.50.09	5	5
Backset 55	2150 mm	2CN + N	F01688.55.09	5	5
Backset 60	2150 mm	2CN + N	F01688.60.09	5	5
Backset 70	2150 mm	2CN + N	F01688.70.09	5	5

NB: Application range is inclusive of 200 mm upper terminal

APPLICATION RANGE 2150-2400 mm

Backset 35	2400 mm	2CN+2N	F01689.35.10	5	5
Backset 40	2400 mm	2CN+2N	F01689.40.10	5	5
Backset 45	2400 mm	2CN+2N	F01689.45.10	5	5
Backset 50	2400 mm	2CN+2N	F01689.50.10	5	5
Backset 55	2400 mm	2CN+2N	F01689.55.10	5	5
Backset 60	2400 mm	2CN+2N	F01689.60.10	5	5
Backset 70	2400 mm	2CN+2N	F01689.70.10	5	5

NB: Application range is inclusive of 200 mm upper terminal

20 mm faceplate

APPLICATION RANGE 1900-2150 mm

Backset 35	2150 mm	2CN + N	F02088.35.09	5	5
Backset 40	2150 mm	2CN + N	F02088.40.09	5	5
Backset 45	2150 mm	2CN + N	F02088.45.09	5	5
Backset 50	2150 mm	2CN + N	F02088.50.09	5	5
Backset 55	2150 mm	2CN + N	F02088.55.09	5	5
Backset 60	2150 mm	2CN + N	F02088.60.09	5	5
Backset 70	2150 mm	2CN + N	F02088.70.09	5	5

NB: Application range is inclusive of 200 mm upper terminal

APPLICATION RANGE 2150-2400 mm

Backset 35	2400 mm	2CN+2N	F02089.35.10	5	5
Backset 40	2400 mm	2CN+2N	F02089.40.10	5	5
Backset 45	2400 mm	2CN+2N	F02089.45.10	5	5
Backset 50	2400 mm	2CN+2N	F02089.50.10	5	5
Backset 55	2400 mm	2CN+2N	F02089.55.10	5	5
Backset 60	2400 mm	2CN+2N	F02089.60.10	5	5
Backset 70	2400 mm	2CN+2N	F02089.70.10	5	5

NB: Application range is inclusive of 200 mm upper terminal

Roller latch - Extra charge

Available for all backsets

Order with end-code 210	F0xxxx.xx.xx.210	5	5
-------------------------	------------------	---	---

Lower roundbolt

To be ordered separately

16 mm faceplate - 130 mm	F01690.00.01	20	100
20 mm faceplate - 130 mm	F02090.00.01	20	100

Upper roundbolt with reverse gear

To be ordered separately

16 mm faceplate - 200 mm	F01690.00.03	20	20
20 mm faceplate - 200 mm	F02090.00.03	20	20

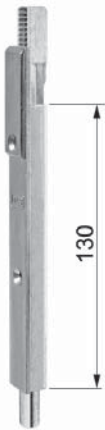
Upper terminal with roller cam

To be ordered separately

16 mm faceplate - 200 mm	1N	F01690.00.13	20	20
--------------------------	----	--------------	----	----



Sicurtop - Terminals



Lower roundbolt

Length 130 mm

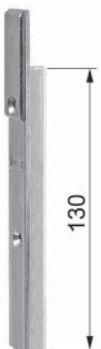
16 mm faceplate - 130 mm	F01690.00.01	20	100
20 mm faceplate - 130 mm	F02090.00.01	20	100



Upper roundbolt with reverse gear

Length 200 mm

16 mm faceplate - 200 mm	F01690.00.03	20	20	1
20 mm faceplate - 200 mm	F02090.00.03	20	20	1



Lower terminal without bolt

Length 130 mm

16 mm faceplate - 130 mm	F01690.00.02	20	200
20 mm faceplate - 130 mm	F02090.00.02	20	200



Sicurtop - Terminals



Upper terminal with roller cam

Length 200 mm

16 mm faceplate - 200 mm	1N	F01690.00.13	20	20
--------------------------	----	--------------	----	----



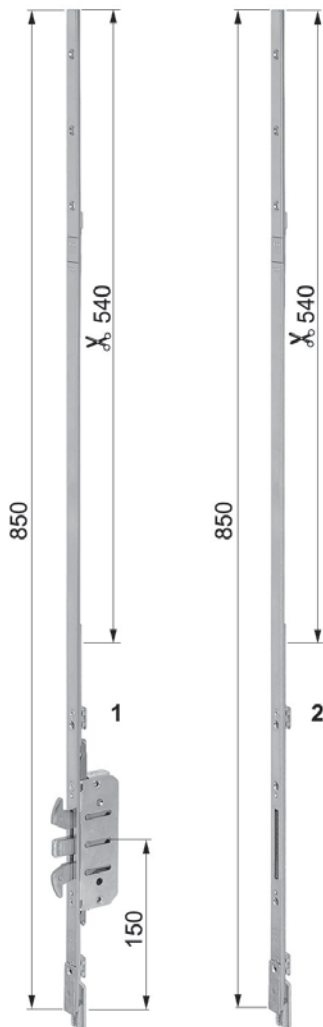
Upper terminal with mushroom cam

Length 200 mm

16 mm faceplate - 200 mm	1F	F99900.00.06	20	20
--------------------------	----	--------------	----	----



Sicurtop - Extension



1 Extension with Poseidon box

16 mm faceplate

Upper	1P	F99800.00.10	5	5
Lower	1P	F99800.00.15	5	5

20 mm faceplate

Upper	1P	F99801.00.10	5	5
Lower	1P	F99801.00.15	5	5

2 Extension without Poseidon box

16 mm faceplate

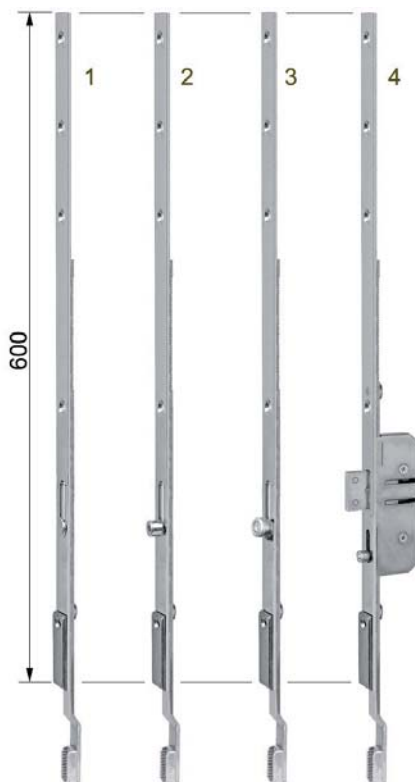
Upper		F99800.00.11	5	5
Lower		F99800.00.16	5	5

20 mm faceplate

Upper		F99801.00.11	5	5
Lower		F99801.00.16	5	5

NB: Use this extension to reduce the lock application range.

Poseidon box removed from the lock can be fixed here with screws.



1 Without roller cam

		F99800.00.18	20	20
--	--	--------------	----	----

2 With roller cam

16 mm faceplate	1N	F01690.00.04	20	20
20 mm faceplate	1N	F02090.00.04	20	20

3 With self-adjustable mushroom cam

	1F	F99800.00.17	20	20
--	----	--------------	----	----

4 With bolt + roller cam

16 mm faceplate	1CN	F01690.00.05	20	20
20 mm faceplate	1CN	F02090.00.05	20	20



Sicurtop - Electric strikers half wing



18 mm width, adjustable, with repeater

STEEL - with manual release lever 12V AC/DC

gap 4	18x208x33,5 rh	F98004.01.01	1	1
	18x208x33,5 lh	F98104.01.01	1	1
gap 12	18x243x33,5 rh	F98004.05.01	1	1
	18x208x33,5 lh	F98104.05.01	1	1
gap 11 (8+6)	18x243x33,5 rh	F98004.03.01	1	1
	18x243x33,5 lh	F98104.03.01	1	1
gap 11 (8+7)	18x243x33,5 rh	F98004.04.01	1	1
	18x243x33,5 lh	F98104.04.01	1	1



Width 18 mm, Striker only

Without electric device (use with 16 mm electric devices only)

gap 4*	18x243x33,5 rh	F98000.01.00	10	10
	18x243x33,5 lh	F98100.01.00	10	10
gap 12	18x243x33,5 rh	F98000.05.00	10	10
	18x243x33,5 lh	F98100.05.00	10	10
gap 11 (8+6)	18x243x33,5 rh	F98000.03.00	10	10
	18x243x33,5 lh	F98100.03.00	10	10
gap 11 (8+7)	18x243x33,5 rh	F98000.04.00	10	10
	18x243x33,5 lh	F98100.04.00	10	10

NB: to be used with 16 mm width strikers only

*Different lenght compared with striker with electric device art. F98004.01.01 and F98104.01.01



Sicurtop - Electric strikers long wing



18 mm width, adjustable, with repeater

STEEL - With manual release lever 12V AC/DC

gap 4	18x208x33,5 rh	F97004.01.01	1	1
	18x208x33,5 lh	F97104.01.01	1	1
gap 12	18x243x33,5 rh	F97004.05.01	1	1
	18x243x33,5 lh	F97104.05.01	1	1
gap 11 (8+6)	18x243x33,5 rh	F97004.03.01	1	1
	18x243x33,5 lh	F97104.03.01	1	1
gap 11 (8+7)	18x243x33,5 rh	F97004.04.01	1	1
	18x243x33,5 lh	F97104.04.01	1	1



Width 18 mm, without electric device

STEEL

gap 4*	18x243x33,5 rh	F97000.01.00	10	10
	18x243x33,5 lh	F97100.01.00	10	10
gap 12	18x243x33,5 rh	F97000.05.00	10	10
	18x243x33,5 lh	F97100.05.00	10	10
gap 11 (8+6)	18x243x33,5 rh	F97000.03.00	10	10
	18x243x33,5 lh	F97100.03.00	10	10
gap 11 (8+7)	18x243x33,5 rh	F97000.04.00	10	10
	18x243x33,5 lh	F97100.04.00	10	10

NB: to be used with 16 mm width strikers only

***Different lenght compared with striker with electric device art. F98004.01.01 and F98104.01.01**



Replacing insert for electric strikers

ADJUSTABLE KIT

Nickel plated	F98900.00.06	1	10
---------------	--------------	---	----



Sicurtop - Strikers

NB: for U30 strikers for PVC systems please refer to Unitop chapter - "U30 steel strikers for PVC profiles PVC"



Latch + bolt - adjustable

16 mm faceplate				
gap 4	18X208X8,5		F11692.01.01	20 20
gap 11 (8+6)	18X208X8,5 lh		F11692.03.01	20 20
	18X208X8,5 rh		F11692.03.02	20 20
gap 11 (8+7)	18X208X8,5 lh		F11692.04.01	20 20
	18X208X8,5 rh		F11692.04.02	20 20
gap 12	18X208X8,5		F11692.05.01	20 20

FOR MILLING MACHINES

gap 4	18X194X8,5		F851DE.11.04	☎ 20 20
	18X194X8,5		F852DE.11.04	☎ 20 20



Latch + bolt - fixed

16 mm faceplate				
gap 4	18X208X8,5	Cent. 85	F01692.01.01	20 100
20 mm faceplate				
gap 4	20X208X8,5	Cent. 85	F01693.01.01	20 100



Latch + bolt - for flush doors - adjustable

20 mm faceplate		X		
For 45 mm door thickness	12,5 mm	F99620.08.46	5	5
For 57 mm door thickness	12,5 mm	F99620.08.58	5	5



Sicurtop - Strikers



Latch + bolt - flush doors - fixed

20 mm faceplate

For 45 mm door thickness	rh	F99621.08.45	5	150
For 45 mm door thickness	lh	F99622.08.45	5	150
For 57 mm door thickness	rh	F99621.08.57	5	150
For 57 mm door thickness	lh	F99622.08.57	5	150



Latch - adjustable

16 mm faceplate

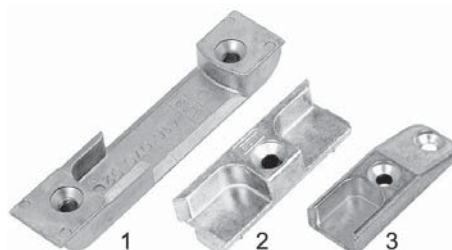
gap 4	18X82x8	Hole h 30mm	A20017.01.12	50	500
gap 11 (8+7)	18X93x8,5	Hole h 35mm	F01694.04.01	50	250
gap 12	18X93x8,5	Hole h 35mm	F01695.05.01	50	500
Pvc		Hole h 35mm	A20017.xx.12	50	500



Bolt

16 mm faceplate

gap 11 (8+7)	18X79X8	F01694.04.03	50	200
gap 12	18X79X8,5	F01695.05.03	50	200
Pvc		A20017.xx.22	50	200



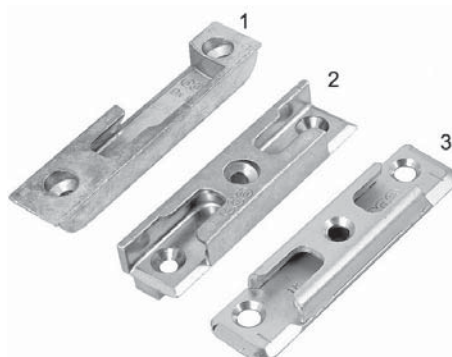
Roller cam

16 mm faceplate

1 gap 4	18X82X8,5	F01692.01.02	50	250
2 gap 12	18X46X9,5	F01695.05.02	50	500
3 gap 11 (8+7)	17X46X8,5	F01694.04.02	50	500

20 mm faceplate

1 gap 4	20X82X8,5	F01693.01.02	50	250
---------	-----------	--------------	----	-----



Mushroom cam

16 mm faceplate

3 gap 4	18X86X8,5	rh	F99611.01.31	20	200
	18X86X8,5	lh	F99612.01.31	20	200
2 gap 11	18X72X9		A20017.03.13	50	500
	18X72X9		A20017.04.13	50	500
1 gap 12	18X74X8,5		A38013.05.22	50	250



Mushroom, gap 11 for double sash

ZAMAK

8+6 groove	rh	A38011.03.13	50	500
8+6 groove	lh	A38012.03.13	50	500
8+7 groove	rh	A38011.04.13	50	500
8+7 groove	lh	A38012.04.13	50	500

NB: See technical catalog for application



Sicurtop - Strikers



Mushroom, gap 12 - double sashes

ZAMAK

rh	A38011.05.13	☎	50	500
lh	A38012.05.13	☎	50	500

NB: See technical catalog for application



1 Roller cam + bolt

16 mm faceplate

1 gap 4	18X134X8,5		F01692.01.03	20	200
2 gap11(8+7)	18X126X8	rh	F01694.04.04	20	200
	18X126X8	lh	F01694.04.05	20	200
3 gap 12	18X126X8,5		F01695.05.04	20	200
Pvc rh			A20017.xx.30	☎	50
Pvc lh			A20017.xx.31	☎	50

20 mm faceplate

gap 4	20X134X8,5		F01693.01.03	20	200
-------	------------	--	--------------	----	-----

FOR MILLING MACHINES

gap 4		rh	F851DE.03.04	☎	20
		lh	F852DE.03.04	☎	20



Poseidon - adjustable

16 mm faceplate

gap 4	18X178X8,5		F99610.01.13	20	20
gap 12	18X180X8,5		F99610.05.13	20	20
gap 11(8+6)	18X182X7		F99610.03.13	20	20
gap 11(8+7)	18X182X7		F99610.04.13	20	20



1

2

1 Poseidon for flush doors - adjustable

20 mm faceplate

	F99620.08.13	10	50
--	--------------	----	----

2 Poseidon for flush doors - fixed

20 mm faceplate

	F99620.08.17	10	100
--	--------------	----	-----



Sicurtop - Strikers



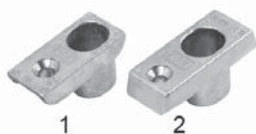
Shoot bolts, for double sash - fixed

16 mm faceplate

1 gap 4	18X78X8,5	F01692.01.05	50	250
2 gap 12	18X78X8	F01697.05.01	50	500
3 gap 12	18X78X8,5	F01695.06.02	50	500

20 mm faceplate

4 gap 4	20X78X8,5	F01693.01.05	50	500
---------	-----------	--------------	----	-----



Shoot bolts, for single sash - fixed

16 mm faceplate

1 gap 4	18X40X8,5	F01692.01.04	50	500
2 gap 12	18X46X8,5	F01695.06.01	50	500

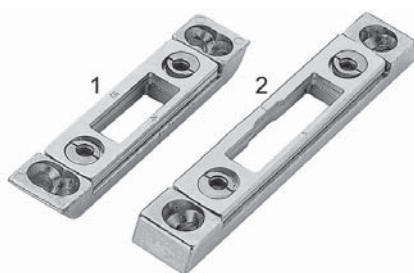
20 mm faceplate

1 gap 4	20X40X8,5	F01693.01.04	50	250
---------	-----------	--------------	----	-----



Shoot bolts with spring cover

1/2 SASHES	Bichromated*	ø ext. 18 mm	F01696.00.04	50	500
	Black	ø ext. 18 mm	F01696.00.93	50	500



Adjustable striker for lever bolts

1 gap 4	18X82x8	1 hole	F01697.01.13	50	500
2 gap 12	17X102X8		F01697.06.13	50	250

NB: for U30 strikers for PVC systems please refer to Unitop chapter - "U30 steel strikers for PVC profiles PVC"



Sicurtop - One-piece strikers for Poseidon, single sash



U18 x 8 One-piece striker

1 ONE-PIECE STRIKER				
gap 4	1870 mm	F99610.01.20	5	5
	1970 mm	F99610.01.21	5	5
gap 12	2216 mm	F99610.05.20	5	5
	2416 mm	F99610.05.21	5	5

U30 x 8 One-piece striker

2				
2216 mm	rh	F99631.07.20	5	5
	lh	F99632.07.20	5	5
2416 mm	rh	F99631.07.21	5	5
	lh	F99632.07.21	5	5

NB: the bolt hand is determined by the main sash



Sicurtop - One-piece striker for Poseidon, double sash



U18 x 8 One-piece striker
WITH BOLT INCLUDED

2212 mm	rh	F99611.00.29	5	5
	lh	F99612.00.29	5	5
2412 mm	rh	F99611.00.30	5	5
	lh	F99612.00.30	5	5

NB: the striker does not include the upper push rod.

F20067.05.xx or F20068.05.xx can be coupled

(the last when upper terminal F01690.00.13 is used on the lock)





Sicurtop - Lever Bolts



Upper and lower - adjustable throw

18 mm faceplate

Length 210	gap 4		F20067.01.01	20	180
	gap 11 (8+5)		F20067.02.01	🔒	20 180
	gap 11 (8+6)	rh	F20067.03.01	🔒	20 180
	gap 11 (8+6)	lh	F20167.03.01	🔒	20 180
	gap 11 (8+7)	rh	F20067.04.01	🔒	20 180
	gap 11 (8+7)	lh	F20167.04.01	🔒	20 180
	gap 12		F20067.05.01		20 180
Length 300	16/12 eurogroove		F20067.19.01	20	180
	gap 4		F20067.01.02	20	180
	gap 11 (8+5)		F20067.02.02	🔒	20 180
	gap 11 (8+6)	rh	F20067.03.02	🔒	20 180
	gap 11 (8+6)	lh	F20167.03.02	🔒	20 180
	gap 11 (8+7)	rh	F20067.04.02	🔒	20 180
	gap 11 (8+7)	lh	F20167.04.02	🔒	20 180
Length 400	gap 12		F20067.05.02	20	180
	16/12 eurogroove		F20067.19.02	20	180
	gap 4		F20067.01.03	20	20
	gap 11 (8+5)		F20067.02.03	🔒	20 20
	gap 11 (8+6)	rh	F20067.03.03	🔒	20 20
	gap 11 (8+6)	lh	F20167.03.03	🔒	20 20
	gap 11 (8+7)	rh	F20067.04.03	🔒	20 20
Length 600	gap 11 (8+7)	lh	F20167.04.03	🔒	20 20
	gap 12		F20067.05.03	20	20
	16/12 eurogroove		F20067.19.03	20	20
	gap 4		F20067.01.04	20	20
	gap 11 (8+5)		F20067.02.04	🔒	20 20
	gap 11 (8+6)	rh	F20067.03.04	🔒	20 20
	gap 11 (8+6)	lh	F20167.03.04	🔒	20 20
	gap 11 (8+7)	rh	F20067.04.04	🔒	20 20
	gap 11 (8+7)	lh	F20167.04.04	🔒	20 20
	gap 12		F20067.05.04	20	20
	16/12 eurogroove		F20067.19.04	20	20



Upper with roller cam striker - adjustable throw

18 mm faceplate

Length 360	gap 4		F20068.01.01	20	120
	gap 11 (8+5)		F20068.02.01	🔒	20 120
	gap 11 (8+6)	rh	F20068.03.01	🔒	20 120
	gap 11 (8+6)	lh	F20168.03.01	🔒	20 120
	gap 11 (8+7)	rh	F20068.04.01	🔒	20 120
	gap 11 (8+7)	lh	F20168.04.01	🔒	20 120
	gap 12		F20068.05.01		20 120
Length 550	16/12 eurogroove		F20068.19.01	🔒	20 20
	gap 4		F20068.01.02	20	20
	gap 11 (8+5)		F20068.02.02	🔒	20 20
	gap 11 (8+6)	rh	F20068.03.02	🔒	20 20
	gap 11 (8+6)	lh	F20168.03.02	🔒	20 20
	gap 11 (8+7)	rh	F20068.04.02	🔒	20 20
	gap 11 (8+7)	lh	F20168.04.02	🔒	20 20
	gap 12		F20068.05.02	20	20
	16/12 eurogroove		F20068.19.02	🔒	20 20



Sicurtop - Lever Bolts



Lower with Poseidon striker - adjustable throw
18 mm faceplate

Length 390	gap 4	rh	F99710.01.01	10	60
	gap 4	lh	F99710.01.02	10	60
	gap 11 (8+5)	rh	F99710.02.01	10	60
	gap 11 (8+5)	lh	F99710.02.02	10	60
	gap 11 (8+6)	rh	F99710.03.01	10	60
	gap 11 (8+6)	lh	F99710.03.02	10	60
	gap 11 (8+7)	rh	F99710.04.01	10	60
	gap 11 (8+7)	lh	F99710.04.02	10	60
	gap 12	rh	F99710.05.01	10	60
	gap 12	lh	F99710.05.02	10	60

Sicurtop - Roundbolts

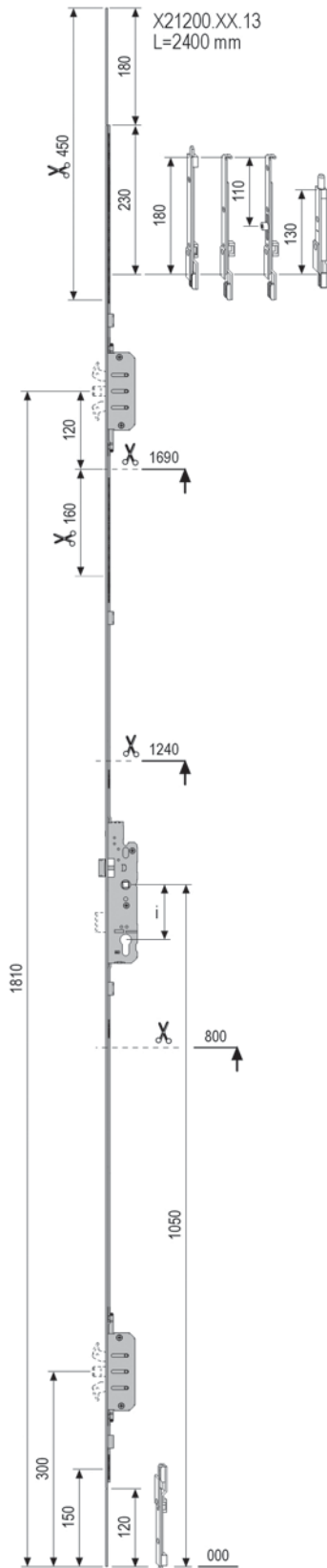


Lower/Upper
18 mm faceplate

Length 180	gap 4	F01691.01.01	20	20
	gap 12	F01691.05.01	20	20
Length 200	gap 4	F01691.01.02	20	20
	gap 12	F01691.05.02	20	20
Length 300	gap 4	F01691.01.03	20	20
	gap 12	F01691.05.03	20	20



Unitop Poseidon



85 mm centre - 16 mm faceplate

APPLICATION RANGE 1840-2200 mm

Backset 30	2200 mm	2P	F21200.30.12	5	5
Backset 35	2200 mm	2P	F21200.35.12	5	5
Backset 40	2200 mm	2P	F21200.40.12	5	5
Backset 45	2200 mm	2P	F21200.45.12	5	5
Backset 50	2200 mm	2P	F21200.50.12	5	5
Backset 55	2200 mm	2P	F21200.55.12	5	5

NB: Application range without terminals

APPLICATION RANGE 1950-2400 mm

Backset 30	2400 mm	2P	F21200.30.13	5	5
Backset 35	2400 mm	2P	F21200.35.13	5	5
Backset 40	2400 mm	2P	F21200.40.13	5	5
Backset 45	2400 mm	2P	F21200.45.13	5	5
Backset 50	2400 mm	2P	F21200.50.13	5	5
Backset 55	2400 mm	2P	F21200.55.13	5	5

NB: Application range without terminals

92 mm centre - 16 mm faceplate

APPLICATION RANGE 1840-2200 mm

Backset 35	2200 mm	2P	F21220.35.12	5	5
------------	---------	----	--------------	---	---

NB: Application range without terminals

92 mm centre - With upper Poseidon case at 1350 mm

Backset 35	2000 mm	2P	F21620.35.12	5	5
------------	---------	----	--------------	---	---

Shoot bolt

11 mm throw

Length 120	A00487.00.02	20	200
Length 180	A00487.00.01	20	200

15 mm throw

Length 120	A00486.00.02	20	200
Length 180	A00486.00.01	20	200

Upper terminal

Length 180	With roller cam	A00481.00.13	20	20
	Without cam	A00481.00.04	20	20

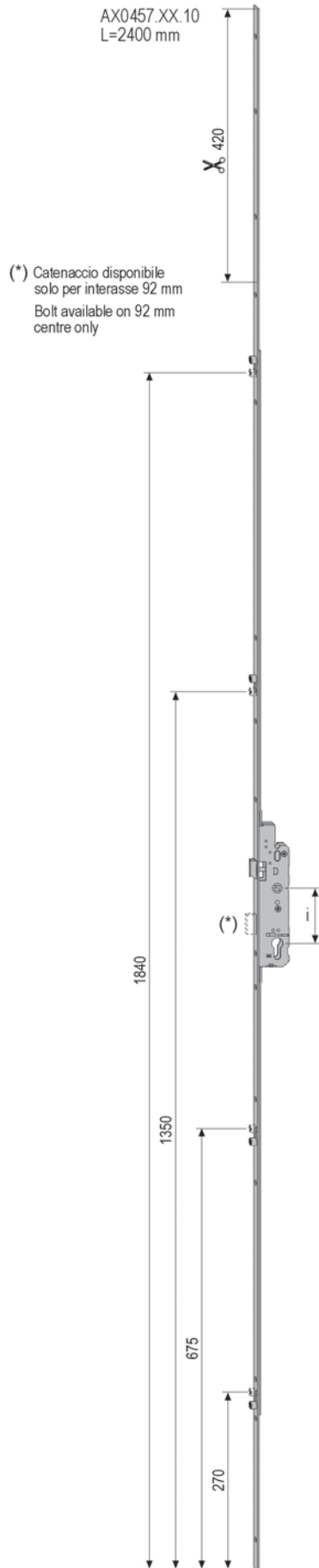
Roundbolt, \varnothing 9,5 mm

16 mm faceplate

Length 130	F01690.00.01	20	100
------------	--------------	----	-----



Unitop mod. 457 - 2454 with rollers - not extensible



85 mm centre - 16 mm faceplate

APPLICATION RANGE 1600-2100 mm

Backset 25	2100 mm	Latch only	3 N	A00457.25.09	10	10
Backset 30	2100 mm	Latch only	3 N	A00457.30.09	10	10
Backset 35	2100 mm	Latch only	3 N	A00457.35.09	10	10
Backset 40	2100 mm	Latch only	3 N	A00457.40.09	10	10
Backset 45	2100 mm	Latch only	3 N	A00457.45.09	10	10
Backset 50	2100 mm	Latch only	3 N	A00457.50.09	10	10
Backset 55	2100 mm	Latch only	3 N	A00457.55.09	10	10

APPLICATION RANGE 1980-2400 mm

Backset 25	2400 mm	Latch only	4 N	A00457.25.10	10	10
Backset 30	2400 mm	Latch only	4 N	A00457.30.10	10	10
Backset 35	2400 mm	Latch only	4 N	A00457.35.10	10	10
Backset 40	2400 mm	Latch only	4 N	A00457.40.10	10	10
Backset 45	2400 mm	Latch only	4 N	A00457.45.10	10	10
Backset 50	2400 mm	Latch only	4 N	A00457.50.10	10	10
Backset 55	2400 mm	Latch only	4 N	A00457.55.10	10	10

92 mm centre - 16 mm faceplate

APPLICATION RANGE 1770-2200 mm

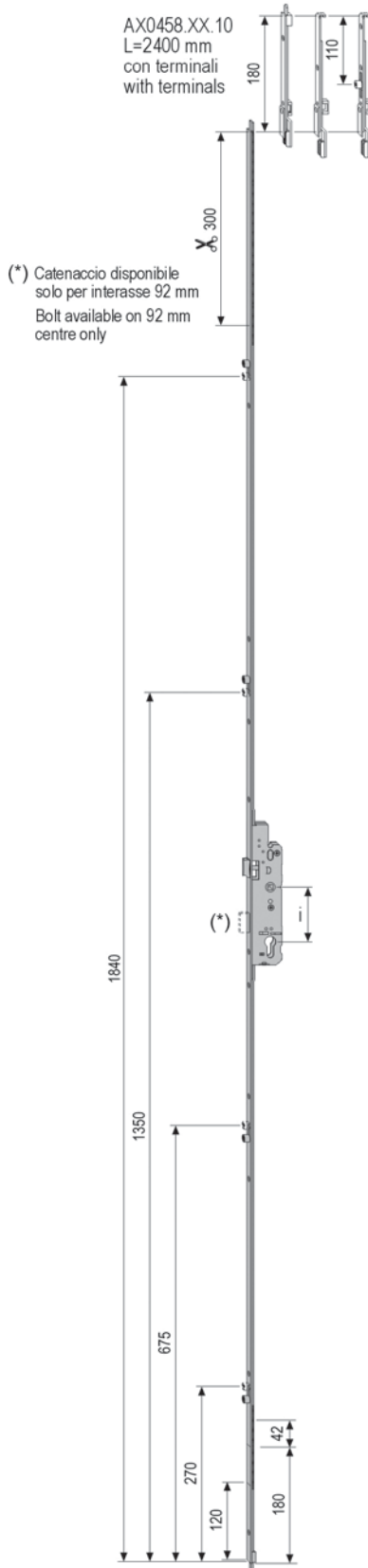
Backset 25	2200 mm	Latch only	4N	A02454.25.09	5	5
Backset 30	2200 mm		4N	A02454.30.09	5	5
Backset 35	2200 mm		4N	A02454.35.09	5	5
Backset 45	2200 mm		4N	A02454.45.09	5	5
Backset 55	2200 mm		4N	A02454.55.09	5	5

APPLICATION RANGE 1980-2400 mm

Backset 30	2400 mm		4N	A02454.30.10	5	5
Backset 35	2400 mm		4N	A02454.35.10	5	5
Backset 40	2400 mm		4N	A02454.40.10	5	5
Backset 45	2400 mm		4N	A02454.45.10	5	5
Backset 50	2400 mm		4N	A02454.50.10	5	5
Backset 55	2400 mm		4N	A02454.55.10	5	5



Unitop mod. 458 - 1455 with rollers and shootbolt



85 mm centre - 16 mm faceplate

APPLICATION RANGE 1800-2100 mm

Backset 25	1920 mm	Latch only	3 N	A00458.25.09	10	10
Backset 30	1920 mm	Latch only	3 N	A00458.30.09	10	10
Backset 35	1920 mm	Latch only	3 N	A00458.35.09	10	10
Backset 40	1920 mm	Latch only	3 N	A00458.40.09	10	10
Backset 45	1920 mm	Latch only	3 N	A00458.45.09	10	10
Backset 50	1920 mm	Latch only	3 N	A00458.50.09	10	10
Backset 55	1920 mm	Latch only	3 N	A00458.55.09	10	10

APPLICATION RANGE 2100-2400 mm

Backset 25	2220 mm	Latch only	4 N	A00458.25.10	10	10
Backset 30	2220 mm	Latch only	4 N	A00458.30.10	10	10
Backset 35	2220 mm	Latch only	4 N	A00458.35.10	10	10
Backset 40	2220 mm	Latch only	4 N	A00458.40.10	10	10
Backset 45	2220 mm	Latch only	4 N	A00458.45.10	10	10
Backset 50	2220 mm	Latch only	4 N	A00458.50.10	10	10
Backset 55	2220 mm	Latch only	4 N	A00458.55.10	10	10

NB: Upper shoot bolt or terminal is not included in the lock

92 mm centre - 16 mm faceplate

APPLICATION RANGE 1800-2100 mm

Backset 25	1920 mm	Latch only	3 N	A01455.25.09	☎ 5	5
Backset 30	1920 mm		3 N	A01455.30.09	☎ 5	5
Backset 35	1920 mm		3 N	A01455.35.09	☎ 5	5
Backset 40	1920 mm		3 N	A01455.40.09	☎ 5	5
Backset 45	1920 mm		3 N	A01455.45.09	☎ 5	5
Backset 50	1920 mm		3 N	A01455.50.09	☎ 5	5
Backset 55	1920 mm		3 N	A01455.55.09	☎ 5	5

APPLICATION RANGE 2100-2400 mm

Backset 35	2220 mm		4 N	A01455.35.10	☎ 5	5
Backset 40	2220 mm		4 N	A01455.40.10	☎ 5	5
Backset 50	2220 mm		4 N	A01455.50.10	☎ 5	5
Backset 55	2220 mm		4 N	A01455.55.10	☎ 5	5

NB: Upper shoot bolt or terminal is not included in the lock

Shoot bolt

11 mm throw

Length 120		A00487.00.02	20	200
Length 180		A00487.00.01	20	200

15 mm throw

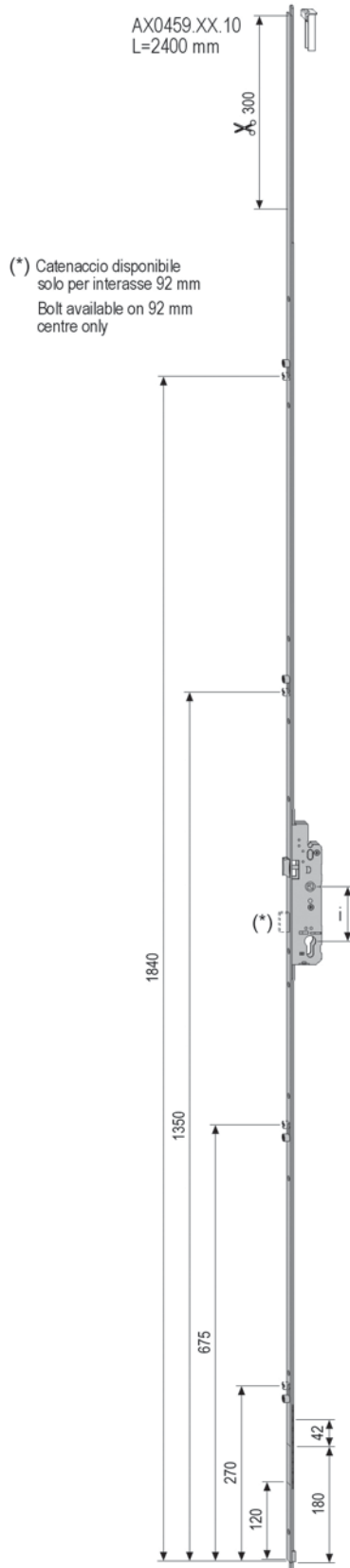
Length 120		A00486.00.02	20	200
Length 180		A00486.00.01	20	200

Terminal

Length 180	With roller cam	A00481.00.13	20	20
	Without cam	A00481.00.04	20	20



Unitop mod. 459 - 2456 with rollers and shootbolts (stock exhaustion)



85 mm centre - 16 mm faceplate

APPLICATION RANGE 1800-2100 mm

Backset 25	2100 mm	Latch only	3 N	A00459.25.09	10	10
Backset 30	2100 mm	Latch only	3 N	A00459.30.09	10	10
Backset 35	2100 mm	Latch only	3 N	A00459.35.09	10	10
Backset 40	2100 mm	Latch only	3 N	A00459.40.09	10	10
Backset 50	2100 mm	Latch only	3 N	A00459.50.09	10	10
Backset 55	2100 mm	Latch only	3 N	A00459.55.09	10	10

APPLICATION RANGE 2100-2400 mm

Backset 25	2400 mm	Latch only	4 N	A00459.25.10	10	10
Backset 30	2400 mm	Latch only	4 N	A00459.30.10	10	10
Backset 40	2400 mm	Latch only	4 N	A00459.40.10	10	10
Backset 45	2400 mm	Latch only	4 N	A00459.45.10	10	10
Backset 50	2400 mm	Latch only	4 N	A00459.50.10	10	10
Backset 55	2400 mm	Latch only	4 N	A00459.55.10	10	10

92 mm centre - 16 mm faceplate

APPLICATION RANGE 1900-2200 mm

Backset 25	2200 mm	Latch only	4 N	A02456.25.09	5	5
			4 N	A02456.28.09	5	5
Backset 30	2200 mm		4 N	A02456.30.09	5	5
Backset 35	2200 mm		4 N	A02456.35.09	5	5

APPLICATION RANGE 2100-2400 mm

Backset 35	2400 mm		4 N	A02456.35.10	5	5
------------	---------	--	-----	--------------	---	---



Unitop mod. 2461 with hooks+rollers - not extensible

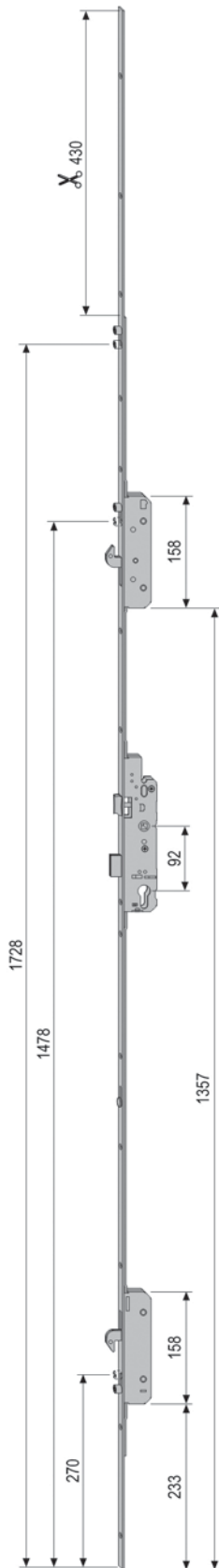


AX2461.XX.09
L=2200 mm

92 mm centre - 16 mm faceplate

APPLICATION RANGE 1770-2200 mm

Backset 28	2200 mm	2 GN+N	A02461.28.09	5	5
Backset 30	2200 mm	2 GN+N	A02461.30.09	5	5
Backset 35	2200 mm	2 GN+N	A02461.35.09	5	5

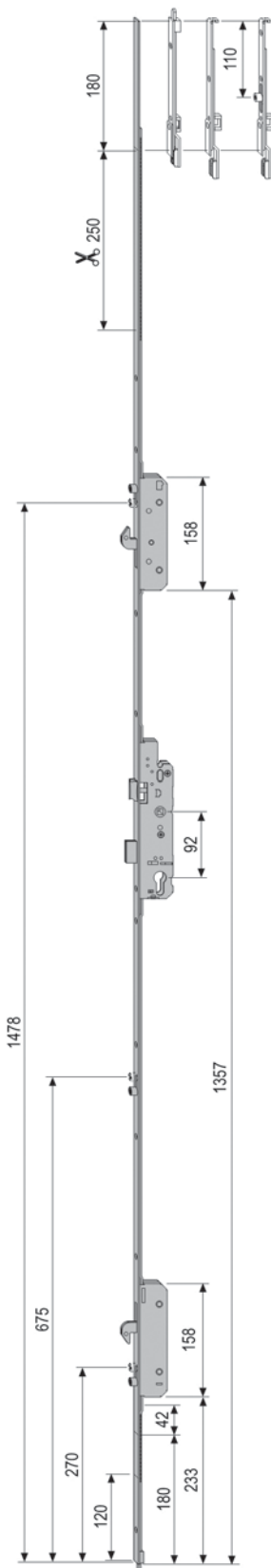




Unitop mod. 1462 with hooks + rollers and shootbolt



AX1462.XX.09
L=2150 mm



92 mm centre - 16 mm faceplate

APPLICATION RANGE 1900-2150 mm

Backset 28	2150 mm	2GN+N	A01462.28.09	🔑	5	5
Backset 30	2150 mm	2GN+N	A01462.30.09	🔑	5	5
Backset 35	2150 mm	2GN+N	A01462.35.09	🔑	5	5

NB: Application range is inclusive of 180 mm upper terminal

Shoot bolt

11 mm throw

Length 120	A00487.00.02	20	200
Length 180	A00487.00.01	20	200

15 mm throw

Length 120	A00486.00.02	20	200
Length 180	A00486.00.01	20	200

Terminal

Length 180	With roller cam	A00481.00.13	20	20
	Without cam	A00481.00.04	20	20



Unitop mod. 2459 - with shoot bolts only for inactive sash



1 92 mm centre - 16 mm faceplate

APPLICATION RANGE 1900-2200 mm

Backset 28	2200 mm	A02459.28.09	☎ 5	5
Backset 30	2200 mm	A02459.30.09	☎ 5	5
Backset 35	2200 mm	A02459.35.09	☎ 5	5

2 92 mm centre - 16 mm faceplate - Extensible

APPLICATION RANGE 1800-2100 mm

Backset 35	1920 mm	A01455.35.09.851	☎ 5	5
------------	---------	------------------	-----	---

NB: Application range is inclusive of 180 mm upper terminal

APPLICATION RANGE 2100-2400 mm

Backset 35	2220 mm	A01455.35.10.851	☎ 5	5
------------	---------	------------------	-----	---

NB: Application range is inclusive of 180 mm upper terminal

Shoot bolt

11 mm push rod throw

Length 120	A00487.00.02	20	200
Length 180	A00487.00.01	20	200

15 mm push rod throw

Length 120	A00486.00.02	20	200
Length 180	A00486.00.01	20	200

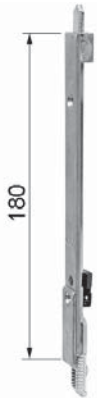
Roundbolt, ø 9,5 mm

16 mm faceplate

Length 130	F01690.00.01	20	100
------------	--------------	----	-----



Unitop - Terminals



Shoot bolt

11 mm throw

Length 120	A00487.00.02	20	200
Length 180	A00487.00.01	20	200

15 mm throw

Length 120	A00486.00.02	20	200
Length 180	A00486.00.01	20	200



Roundbolt, \varnothing 9,5 mm

16 mm faceplate

Length 130	F01690.00.01	20	100
------------	--------------	----	-----



Terminal with self-adjustable mushroom cam

Length 180	1	A30901.00.03	20	20
------------	---	--------------	----	----



Terminal with roller cam

Length 180	1	A00481.00.13	20	20
------------	---	--------------	----	----



Unitop - Terminals



Terminal without cam

Length 180	Without cam	A00481.00.04	20	20
------------	-------------	--------------	----	----

Unitop - Extensions



1 Extension with Poseidon box

16 mm faceplate				
Upper and lower	1P	F99800.00.15	5	5

2 Extension without Poseidon box

16 mm faceplate				
Upper and lower		F99800.00.16	5	5

NB: Use this extension to reduce the lock application range.

Poseidon box removed from the lock can be fixed here with screws.



Unitop - Strikers



Poseidon - adjustable

16 mm faceplate

gap 4	18X178X8,5	F99610.01.13	20	20
gap 12	18X180X8,5	F99610.05.13	20	20
gap 11(8+7)	18X182X7	F99610.04.13	20	20
gap 11(8+6)	18X182X7	F99610.03.13	20	20



Latch + bolt - adjustable

16 mm faceplate

gap 4	18X208X8,5	F11692.01.01	20	20
gap 11 (8+6)	18X208X8,5 lh	F11692.03.01	20	20
	18X208X8,5 rh	F11692.03.02	20	20
gap 11 (8+7)	18X208X8,5 lh	F11692.04.01	20	20
	18X208X8,5 rh	F11692.04.02	20	20
gap 12	18X208X8,5	F11692.05.01	20	20



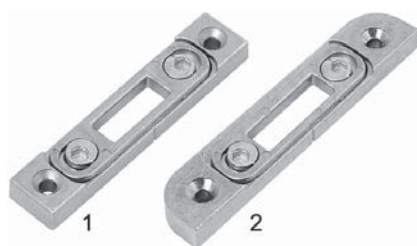
Latch + bolt - fixed

16 mm faceplate

gap 4	18X208X8,5	Cent. 85	F01692.01.01	20	100
-------	------------	----------	--------------	----	-----



Unitop - Strikers



Latch - adjustable

1					
gap 4	18X82x8	Hole h 30mm	A20017.01.12	50	500
gap 11 (8+6)	17X82X8	Hole h 30mm	A20017.03.12	50	500
gap 11 (8+7)	17X82X8	Hole h 30mm	A20017.04.12	50	500
	18X93x8,5	Hole h 35mm	F01694.04.01	50	250
gap 12	17X82X7,8	Hole h 30mm	A20017.05.12	50	500
	18X93x8,5	Hole h 35mm	F01695.05.01	50	500
Pvc		Hole h 35mm	A20017.xx.12	50	500
2 FOR MILLING MACHINES					
gap 4	19X94X8	1 h 10x30	A20027.01.11	250	250



Latch - fixed

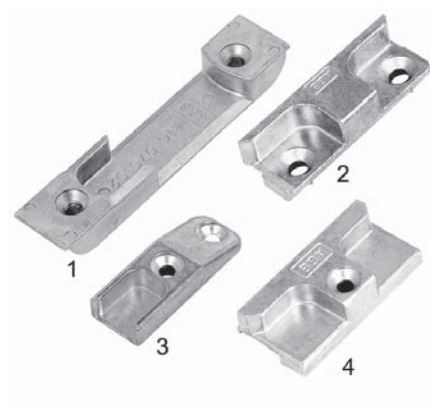
gap 4	18X82x8		A20017.01.11	50	500
gap 11 (8+6)	17X82X8		A20017.03.11	50	500
gap 11 (8+7)	17X82X8		A20017.04.11	50	500
Pvc	Variables		A20017.20.11	50	250



Bolt

16 mm faceplate

gap 11 (8+7)	18X79X8		F01694.04.03	50	200
gap 12	18X79X8,5		F01695.05.03	50	200
Pvc			A20017.xx.22	50	200



Roller cam

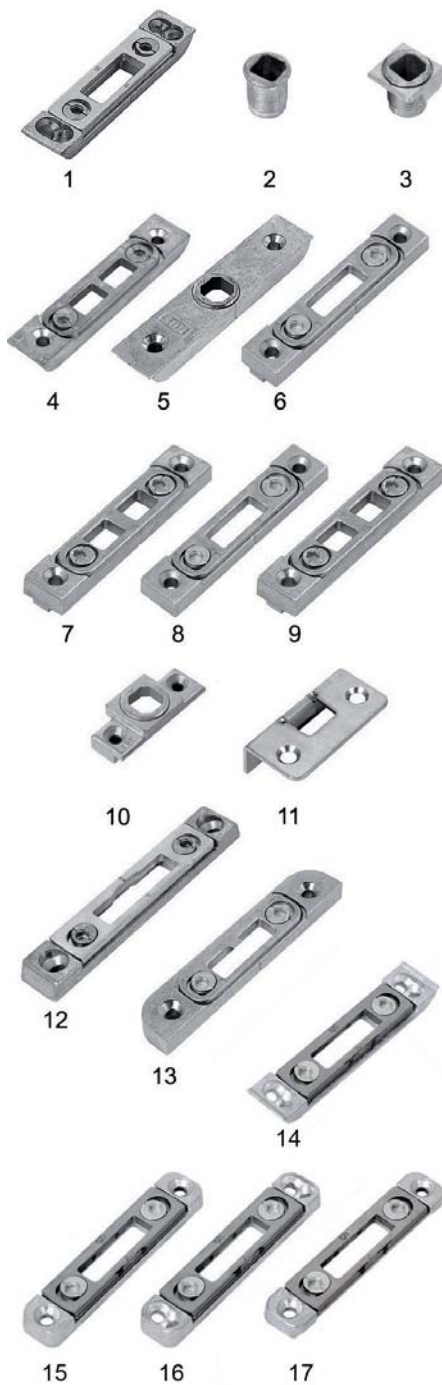
1	gap 4	18X82x8		A20017.01.02	50	500
		18X82x8	surface mounted	A20017.01.10	50	500
		19X94X8	16+16 stroke	A20027.01.06	250	250
2	gap 11	15X46X8	Groove 8+6	A20017.03.02	50	500
		16X46X8	Groove 8+7	A20017.04.02	50	500
3	gap 12	17X46X8	Flat base	A38010.05.02	50	500
4	Pvc	18X46X8	Groove 16/12	A20017.25.32	50	50
		variable		Axxxxx.xx.02	1	1



Unitop - Strikers



Adjustable for shoot bolts



gap 4	1	18X82x8	1 hole	A20017.01.04	50	500
	4	18X82x8	2 holes	A20017.01.05	50	500
	4	18X82x8	2screws int.62	A20017.01.21	50	500
	5	18X82x8	with bushing	A20026.01.26	50	500
	2	16,5X20	bush 14x20	A20026.01.06	50	1000
gap 11/12	6	17X82X6,6	gro. 8+6	A20017.03.04	50	500
		17X82X6,6	groove 8+7	A20017.04.04	50	500
	7	17X82X6,6	2hol. gr. 8+6	A20017.03.05	50	500
	7	17X82X6,6	2hol gr. 8+7	A20017.04.05	50	500
gap 4/11/12	9	17X82X6,6	2 holes	A20017.06.05	50	500
	3	19,5X19	Alu sill	A20026.01.07	50	500
gap 12	11	25X50X2	marble thresh.	A20017.00.19	50	500
	8	17X82X7,8	1 hole	A20017.05.04	50	500
Pvc	9	17X82X7,8	2 holes	A20017.05.05	50	500
	7		2 holes	Axxxxx.xx.05	1	1
	10		with bush	Axxxxx.xx.23	1	1

FOR MILLING MACHINES

gap 4	13	19X94X8	1 h 8x23	A20027.01.13	50	250
	13	19X94X8	1 h 10x30	A20027.01.11	250	250

Adjustable for shoot bolts with steel plate

gap 4	14*	18X82X8	1 hole	● A38010.01.54	50	500
	1	18X82x8	1 hole	F01697.01.13	50	500
gap 12	17*	17X82X7	1 hole	● A38010.05.57	50	500
	15*	17X82X8	1 hole	● A38010.05.55	50	500
	16*	17X82X8	1 hole	● A38010.05.56	50	500
	12	17X102X8	1 hole	A01697.06.13	50	250

*Available from April 2010

Shoot bolts, for single sash - fixed

16 mm faceplate						
1	gap 4	2	18X40X8,5		F01692.01.04	50 500
2	gap 12	2	18X46X8,5		F01695.06.01	50 500
20 mm faceplate						
1	gap 4	1	20X40X8,5		F01693.01.04	50 250



Unitop - Strikers



Shoot bolts, for double sash - fixed

16 mm faceplate

1 gap 4	18X78X8,5	F01692.01.05	50	250
2 gap 12	18X78X8	F01697.05.01	50	500
3 gap 12	18X78X8,5	F01695.06.02	50	500

20 mm faceplate

4 gap 4	20X78X8,5	F01693.01.05	50	500
---------	-----------	--------------	----	-----

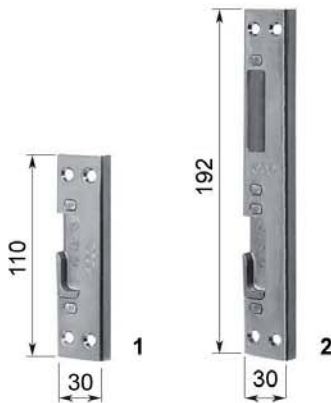


Shoot bolts with spring cover

1/2 SASHES	Bichromated*	ø ext. 18 mm	F01696.00.04	50	500
	Black	ø ext. 18 mm	F01696.00.93	50	500



Unitop - U 30 steel strikers for PVC



Roller cam

STEEL

1	30X110X8	rh	A21117.00.02	20	200
	30X110X8	lh	A21118.00.02	20	200

Hook + roller cam

STEEL

2	30X192X8	rh	A21121.00.41	5	50
	30X192X8	lh	A21122.00.41	5	50

Latch and bolt

STEEL

3	30X238X8	rh	A21121.00.40	5	45
	30X238X8	lh	A21122.00.40	5	45



Bolt + roller cam

STEEL

4	30X192X8	rh	A21117.00.42	5	50
	30X192X8	lh	A21118.00.42	5	50

Poseidon

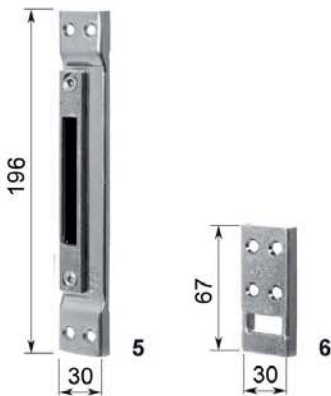
STEEL

5	30X196X8		F99630.00.13	20	20
---	----------	--	--------------	----	----

Shoot bolt

STEEL

6	30X67X8		A21117.00.04	50	50
---	---------	--	--------------	----	----



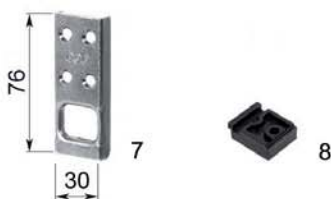
Roundbolt

7			F99630.07.24	50	50
---	--	--	--------------	----	----

Adapters

NYLON

8	For PVC profiles		A21117.xx.00	50	50
---	------------------	--	--------------	----	----





Unitop - One-piece strikers for Poseidon, single sash



U18 x 8 One-piece striker

1 ONE-PIECE STRIKER				
gap 4	1870 mm	F99610.01.20	5	5
	1970 mm	F99610.01.21	5	5
gap 12	2216 mm	F99610.05.20	5	5
	2416 mm	F99610.05.21	5	5

U30 x 8 One-piece striker

2				
2216 mm	rh	F99631.07.20	5	5
	lh	F99632.07.20	5	5
2416 mm	rh	F99631.07.21	5	5
	lh	F99632.07.21	5	5

NB: the bolt hand is determined by the main sash



Unitop - One-piece striker for Poseidon, double sash



U18 x 8 One-piece striker
WITH BOLT INCLUDED

2212 mm	rh	F99611.00.29	5	5
	lh	F99612.00.29	5	5
2412 mm	rh	F99611.00.30	5	5
	lh	F99612.00.30	5	5

NB: the striker does not include the upper push rod.

F20067.05.xx or F20068.05.xx can be coupled

(the last when upper terminal F01690.00.13 is used on the lock)





Unitop - Striker Kits



Contenuto - Content:

dx - 1 pezzo per ogni codice: A21121.00.40 A21121.00.41
rh 1 piece for each codes: A21122.00.41 A21118.00.02
sx - 1 pezzo per ogni codice: A21122.00.40 A21121.00.41
lh 1 piece for each codes: A21122.00.41 A21117.00.02

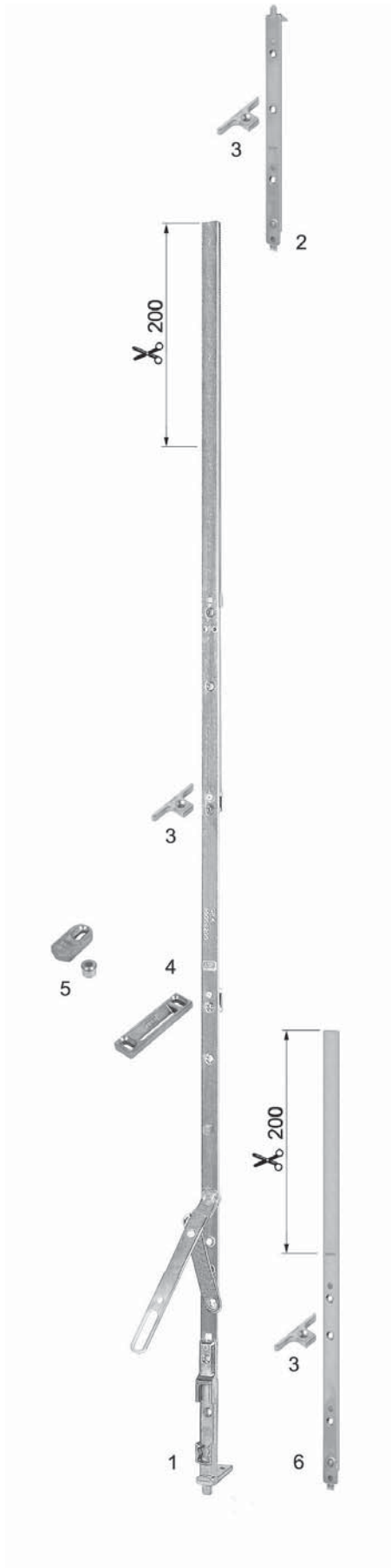
For Unitop Mod.461 / 2461

STEEL

rh	A21121.00.00	5	5
lh	A21122.00.00	5	5



Extensible Bolt for Euronut 8+5 groove



1 Extensible bolt - gap 11, 11 mm throw

1800-2000	GR 8	2	A20032.02.08	10	10
2000-2200	GR 9	2	A20032.02.09	10	10
2200-2400	GR 10	2	A20032.02.10	10	10

2 Upper terminal

A20035.02.01	20	20
--------------	----	----

3 Roller cam striker

A20035.02.02	50	1000
--------------	----	------

4 Latch striker

A20035.02.03	50	50
--------------	----	----

5 Striker + lifting cam for Unitop

A20035.02.04	50	50
--------------	----	----

6 Extension for Euronut bolt

A20035.02.05	20	20
--------------	----	----



Unitop - Lever bolts - 8 mm shoot bolt



Upper and lower - adjustable throw

18 mm faceplate

Length 210	gap 4		A20061.01.01	20	180
	gap 4	Toupie	A20061.00.01	20	180
	gap 4	El.mill.up/rh-low/lh	A20062.01.01	20	180
	gap 4	El.mill.up/lh-low/rh	A20063.01.01	20	180
	gap 11/12		A20061.05.01	20	180
	gap 12	with foot p-rod	A20161.05.01	20	180
Length 300	gap 4		A20061.01.02	20	180
	gap 4	Toupie	A20061.00.02	20	180
	gap 4	El.mill.up/rh-low/lh	A20062.01.02	20	180
	gap 4	El.mill.up/lh-low/rh	A20063.01.02	20	180
	gap 11/12		A20061.05.02	20	180



Upper with roller cam striker - adjustable throw

18 mm faceplate

Length 360	gap 4		A20064.01.01	20	120
	gap 4	El.mill.up/rh-low/lh	A20065.01.01	20	120
	gap 4	El.mill.up/lh-low/rh	A20066.01.01	20	120
	gap 11/12		A20064.05.01	20	120
Length 550	gap 4		A20064.01.02	20	20
	gap 4	El.mill.up/rh-low/lh	A20065.01.02	20	20
	gap 4	El.mill.up/lh-low/rh	A20066.01.02	20	20
	gap 11/12		A20064.05.02	20	20



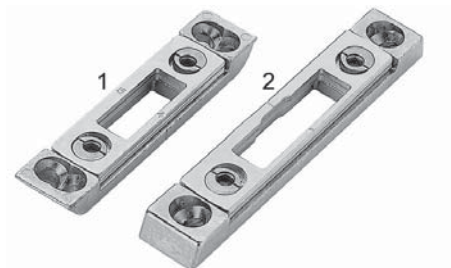
Unitop - Lever bolts - 9,5 mm shoot bolt



Lower with Poseidon striker - adjustable throw

18 mm faceplate

Length 390	gap 4	rh	F99710.01.01	10	60
	gap 4	lh	F99710.01.02	10	60
	gap 12	rh	F99710.05.01	10	60
	gap 12	lh	F99710.05.02	10	60



Adjustable striker for lever bolts

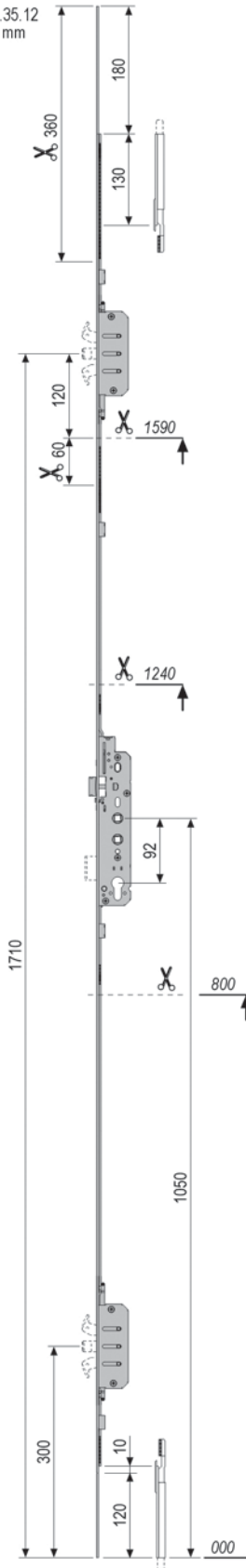
1 gap 4	18X82x8	1 hole	F01697.01.13	50	500
2 gap 12	17X102X8		A01697.06.13	50	250



Dual - Poseidon



X21520.35.12
L=2200 mm



92 mm centre - 16 mm faceplate

APPLICATION RANGE 1840-2200 mm

Backset 35 mm	2200 mm	2P	F21520.35.12	5	5
---------------	---------	----	--------------	---	---

APPLICATION RANGE 1950-2400 mm

Backset 35 mm	2400 mm	2P	F21520.35.13	5	5
---------------	---------	----	--------------	---	---

NB: Application range without terminals

Roundbolt, \varnothing 9,5 mm

16 mm faceplate

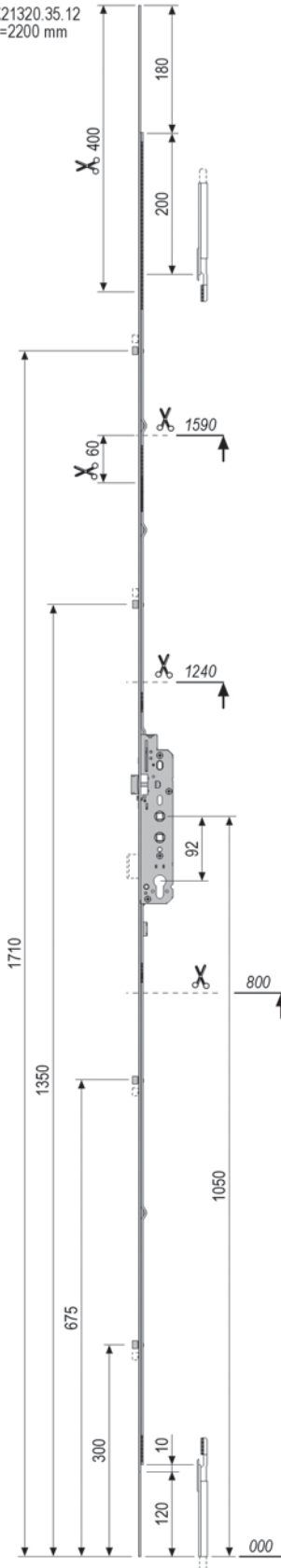
Length 130	F01690.00.01	20	100
------------	--------------	----	-----



Dual - with roller cams



X21320.35.12
L=2200 mm



92 mm centre - 16 mm faceplate

APPLICATION RANGE 1800-2200 mm

Backset 35 mm	2200 mm	4N	F21320.35.12	5	5
---------------	---------	----	--------------	---	---

APPLICATION RANGE 1900-2400 mm

Backset 35 mm	2400 mm	4N	F21320.35.13	5	5
---------------	---------	----	--------------	---	---

NB: Application range without terminals

Roundbolt, \varnothing 9,5 mm

16 mm faceplate

Length 130	F01690.00.01	20	100
------------	--------------	----	-----



Dual - Extensions



1 Extension with Poseidon box

16 mm faceplate

Upper and lower	1P	F99800.00.15	5	5
-----------------	----	--------------	---	---

2 Extension without Poseidon box

16 mm faceplate

Upper and lower		F99800.00.16	5	5
-----------------	--	--------------	---	---

NB: Use this extension to reduce the lock application range.

Poseidon box removed from the lock can be fixed here with screws.

Dual - Terminals



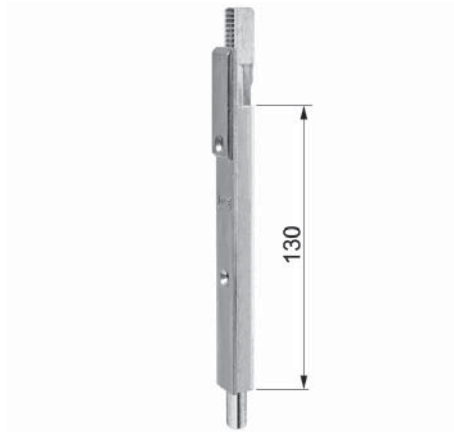
Shoot bolt

11 mm throw

Length 120	A00487.00.02	20	200
Length 180	A00487.00.01	20	200



Dual - Terminals



Roundbolt, \varnothing 9,5 mm

Length 130

Dual - Strikers



Adjustable latch/bolt

U 30

rh	A21121.00.42	5	45
lh	A21122.00.42	5	45

NB: for the remaining strikers see Unitop Strikers



Poseidon

U 30

	F99630.00.13	20	20
--	--------------	----	----

For the remaining strikers see Unitop strikers



Espagnolettes - Tilt & Turn



TESI - Fixed handle height

	SRH	GR	Cam Handle			
Backset 7,5	600-800	2	280	A30110.08.02	☰	10 10
	800-1000	3	400	A30110.08.03	☰	10 10
	1000-1200	4	1 500	A30110.08.04	☰	10 10
	1200-1400	5	1 500	A30110.08.05	☰	10 10
	1400-1600	6	1 500	A30110.08.06	☰	10 10
	1600-1800	7	1 500	A30110.08.07	☰	10 10
	1800-2000	8	2 1050	A30110.08.08	☰	10 10
	2000-2200	9	2 1050	A30110.08.09	☰	10 10
	2200-2400	10	2 1050	A30110.08.10	☰	10 10
	Backset 15	370-550	0	170	A30110.15.00	
490-600		1	170	A30110.15.01		10 10
600-800		2	280	A30110.15.02		10 10
800-1000		3	400	A30110.15.03		10 10
1000-1200		4	1 500	A30110.15.04		10 10
1200-1400		5	1 500	A30110.15.05		10 10
1400-1600		6	1 500	A30110.15.06		10 10
1600-1800		7	1 500	A30110.15.07		10 10
1800-2000		8	2 1050	A30110.15.08		10 10
2000-2200		9	2 1050	A30110.15.09		10 10
Backset 25	2200-2400	10	2 1050	A30110.15.10		10 10
	370-550	0	170	A30110.25.00		10 10
	490-600	1	170	A30110.25.01		10 10
	600-800	2	280	A30110.25.02		10 10
	800-1000	3	400	A30110.25.03		10 10
	1000-1200	4	1 500	A30110.25.04		10 10
	1200-1400	5	1 500	A30110.25.05		10 10
	1400-1600	6	1 500	A30110.25.06		10 10
	1600-1800	7	1 500	A30110.25.07		10 10
	1800-2000	8	2 1050	A30110.25.08		5 5
Backset 40	2000-2200	9	2 1050	A30110.25.09		5 5
	2200-2400	10	2 1050	A30110.25.10		5 5
	370-550	0	170	A30110.40.00		10 10
	490-600	1	170	A30110.40.01		10 10
	600-800	2	280	A30110.40.02		10 10
	800-1000	3	400	A30110.40.03		5 5
	1000-1200	4	1 500	A30110.40.04		5 5
	1200-1400	5	1 500	A30110.40.05		5 5
	1400-1600	6	1 500	A30110.40.06		5 5
	1600-1800	7	1 500	A30110.40.07		5 5
1800-2000	8	2 1050	A30110.40.08		5 5	
2000-2200	9	2 1050	A30110.40.09		5 5	
2200-2400	10	2 1050	A30110.40.10		5 5	

The espagnolette is supplied without DSS (which has to be ordered separately)

DSS applicable from GR2

For handle displacement see accessories for inactive sash



DSS - Security and lift device

A30906.00.01	50	300
--------------	----	-----



Espagnolettes - Tilt & Turn



TESI - Variable handle height

	SRH	GR	Cam Handle				
Backset 7,5	640-800	2	320-400	A30130.08.02		20	20
	800-1200	3	400-600	A30130.08.03		20	20
	1200-1600	4	600-800	A30130.08.04		10	10
	1600-2000	5	800-1000	A30130.08.05		5	5
	2000-2400	6	1000-1200	A30130.08.06		5	5
Backset 15	470-650	1	265-325	A30130.15.01		20	20
	640-800	2	320-400	A30130.15.02		20	20
	800-1200	3	400-600	A30130.15.03		20	20
	1200-1600	4	600-800	A30130.15.04		20	20
	1600-2000	5	800-1000	A30130.15.05		10	10
	2000-2400	6	1000-1200	A30130.15.06		10	10
Backset 25	470-650	1	265-325	A30130.25.01		10	10
	640-800	2	320-400	A30130.25.02		10	10
	800-1200	3	400-600	A30130.25.03		10	10
	1200-1600	4	600-800	A30130.25.04		10	10
	1600-2000	5	800-1000	A30130.25.05		5	5
	2000-2400	6	1000-1200	A30130.25.06		5	5
Backset 40	470-650	1	265-325	A30130.40.01		10	10
	640-800	2	320-400	A30130.40.02		10	10
	800-1200	3	400-600	A30130.40.03		10	10
	1200-1600	4	600-800	A30130.40.04		10	10
	1600-2000	5	800-1000	A30130.40.05		5	5
	2000-2400	6	1000-1200	A30130.40.06		5	5

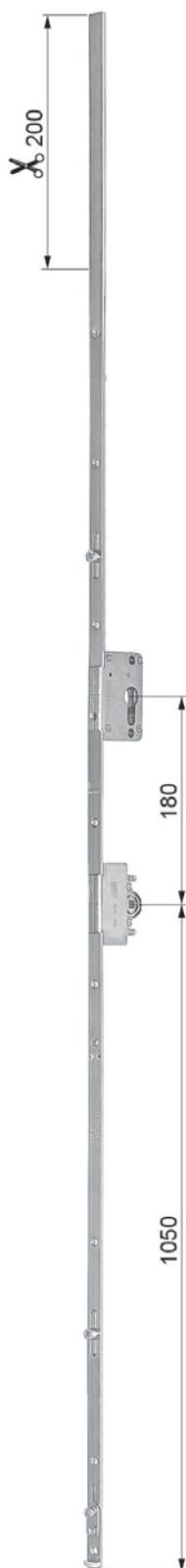
The espagnolette is supplied without DSS (which has to be ordered separately)

DSS applicable from GR 3

For handle displacement see accessories for inactive sash



Espagnolettes - Tilt & Turn



TESI - With cylinder lock

	SRH	GR	Cam	H han.			
Backset 25*	1800-2000	8	2	1050	A20031.25.08	5	5
	2000-2200	9	2	1050	A20031.25.09	5	5
	2200-2400	10	2	1050	A20031.25.10	5	5
Backset 40	1800-2000	8	2	1050	A30120.40.08	5	5
	2000-2200	9	2	1050	A30120.40.09	5	5
	2200-2400	10	2	1050	A30120.40.10	5	5

E25: The espagnolette is supplied with push-button anti-mishandling device

E40: The espagnolette is supplied without DSS (to be ordered separately)

Cylinder is not included

* Stock exhaustion



Espagnolettes - Terminals and Accessories for Tilt & Turn



Lower tilt terminal

GR 1	For GR 1-2 espagnolettes	A00481.00.01	20	20
GR 2	For GR 3-6 espagnolettes	A00481.00.02	20	20



Upper terminal

GR 3	With cam 16+16mm stroke	A00481.00.03	20	20
GR 4	Without cam	A00481.00.04	20	20



Extension

	H	Cam		
GR 1	200		A20020.00.01	20 20
GR 2	400	1	A20020.00.02	20 20
GR 3	600	1	A20020.00.03	20 20



Cover plate

Length				
1240		A20019.00.06	20	20





Espagnolettes - Turn only windows



Mod. 402 for single sash

	SRH	GR	Cam Handle				
Backset 7,5	360-600	1	2	170	A00402.08.01		20 20
	600-800	2	2	280	A00402.08.02		20 20
	800-1000	3	2	400	A00402.08.03		20 20
	1000-1200	4	3	500	A00402.08.04		20 20
	1200-1400	5	3	500	A00402.08.05		20 20
	1400-1600	6	3	500	A00402.08.06		20 20
	1600-1800	7	3	500	A00402.08.07		20 20
	1800-2000	8	4	1050	A00402.08.08		10 10
	2000-2200	9	4	1050	A00402.08.09		10 10
	2200-2400	10	4	1050	A00402.08.10		10 10
	2400-2600	11	4	1050	A00402.08.11		10 10
Backset 15	360-600	1	2	170	A00402.15.01		20 20
	600-800	2	2	280	A00402.15.02		20 20
	800-1000	3	2	400	A00402.15.03		20 20
	1000-1200	4	3	500	A00402.15.04		20 20
	1200-1400	5	3	500	A00402.15.05		20 20
	1400-1600	6	3	500	A00402.15.06		20 20
	1600-1800	7	3	500	A00402.15.07		20 20
	1800-2000	8	4	1050	A00402.15.08		10 10
	2000-2200	9	4	1050	A00402.15.09		10 10
	2200-2400	10	4	1050	A00402.15.10		10 10
	2400-2600	11	4	1050	A00402.15.11		10 10
Backset 25	360-600	1	2	170	A00402.25.01		10 10
	600-800	2	2	280	A00402.25.02		10 10
	800-1000	3	2	400	A00402.25.03		10 10
	1000-1200	4	3	500	A00402.25.04		10 10
	1200-1400	5	3	500	A00402.25.05		10 10
	1400-1600	6	3	500	A00402.25.06		10 10
	1600-1800	7	3	500	A00402.25.07		10 10
	1800-2000	8	4	1050	A00402.25.08		5 5
	2000-2200	9	4	1050	A00402.25.09		5 5
	2200-2400	10	4	1050	A00402.25.10		5 5
	2400-2600	11	4	1050	A00402.25.11		5 5
Backset 40	360-600	1	2	170	A00402.40.01		10 10
	600-800	2	2	280	A00402.40.02		10 10
	800-1000	3	2	400	A00402.40.03		10 10
	1000-1200	4	3	500	A00402.40.04		10 10
	1200-1400	5	3	500	A00402.40.05		10 10
	1400-1600	6	3	500	A00402.40.06		10 10
	1600-1800	7	3	500	A00402.40.07		10 10
	1800-2000	8	4	1050	A00402.40.08		5 5
	2000-2200	9	4	1050	A00402.40.09		5 5
	2200-2400	10	4	1050	A00402.40.10		5 5
	2400-2600	11	4	1050	A00402.40.11		5 5

* DSS applicable from GR8



Rod catch

A00403.00.01	50	1000
--------------	----	------



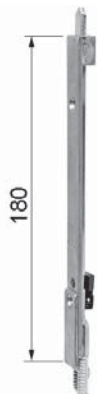
Espagnolettes - Turn only windows



Mod. 488/89 for double sashes - extensible

15 mm	throw	GR	Cam	Handle		
Backset 15	360-600	1		170	A00488.15.01	20 20
	600-800	2		280	A00488.15.02	20 20
	800-1000	3	1	400	A00488.15.03	20 20
	1000-1200	4	1	500	A00488.15.04	20 20
	1200-1400	5	1	500	A00488.15.05	20 20
	1400-1600	6	1	500	A00488.15.06	20 20
	1600-1800	7	1	500	A00488.15.07	20 20
	1800-2000	8	2	1050	A00488.15.08	10 10
	2000-2200	9	2	1050	A00488.15.09	10 10
	2200-2400	10	2	1050	A00488.15.10	10 10
	2400-2600	11	2	1050	A00488.15.11	10 10
Backset 25	600-800	2		280	A00488.25.02	10 10
	800-1000	3	1	400	A00488.25.03	10 10
	1000-1200	4	1	500	A00488.25.04	10 10
	1200-1400	5	1	500	A00488.25.05	10 10
	1400-1600	6	1	500	A00488.25.06	10 10
	1600-1800	7	1	500	A00488.25.07	10 10
	1800-2000	8	2	1050	A00488.25.08	5 5
	2000-2200	9	2	1050	A00488.25.09	5 5
	2200-2400	10	2	1050	A00488.25.10	5 5
	2400-2600	11	2	1050	A00488.25.11	5 5
	Backset 40	600-800	2		280	A00488.40.02
800-1000		3	1	400	A00488.40.03	10 10
1000-1200		4	1	500	A00488.40.04	10 10
1200-1400		5	1	500	A00488.40.05	10 10
1400-1600		6	1	500	A00488.40.06	10 10
1600-1800		7	1	500	A00488.40.07	10 10
1800-2000		8	2	1050	A00488.40.08	5 5
2000-2200		9	2	1050	A00488.40.09	5 5
2200-2400		10	2	1050	A00488.40.10	5 5
2400-2600		11	2	1050	A00488.40.11	5 5
11 mm		throw	GR	Cam	Handle	
Backset 15	360-600	1		170	A00489.15.01	20 20
	600-800	2		280	A00489.15.02	20 20
	800-1000	3	1	400	A00489.15.03	20 20
	1000-1200	4	1	500	A00489.15.04	20 20
	1200-1400	5	1	500	A00489.15.05	20 20
	1400-1600	6	1	500	A00489.15.06	20 20
	1600-1800	7	1	500	A00489.15.07	20 20
	1800-2000	8	2	1050	A00489.15.08	10 10
	2000-2200	9	2	1050	A00489.15.09	10 10
	2200-2400	10	2	1050	A00489.15.10	10 10
	2400-2600	11	2	1050	A00489.15.11	10 10

NB: it is possible to trim the espagnolette, height 1240 and couple with extensions and terminal (only for GR8)



Upper shoot bolt

15 mm throw			
Length 120		A00486.00.02	20 200
Length 180		A00486.00.01	20 200
11 mm throw			
Length 120		A00487.00.02	20 200
Length 180		A00487.00.01	20 200



Espagnolettes - Turn only and Tilt only windows



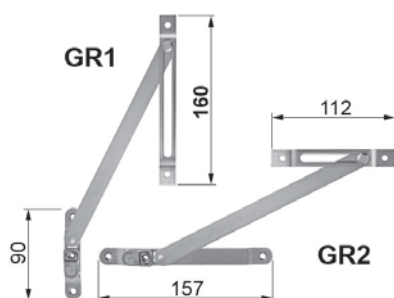
Mod. 406 with central handle

1	SRH	GR	Cam			
Backset 15	300-500	1	2	A00406.15.01	20	20
	500-800	2	2	A00406.15.02	20	20
	800-1100	3	2	A00406.15.03	20	20
	1100-1400	4	3	A00406.15.04	20	20
	1400-1800	5	3	A00406.15.05	20	20
	1940-2400	6*	4	A00406.15.06	10	10
Backset 25	300-500	1	2	A00406.25.01	10	10
	500-800	2	2	A00406.25.02	10	10
	800-1100	3	2	A00406.25.03	10	10
	1100-1400	4	3	A00406.25.04	10	10
	1400-1800	5	3	A00406.25.05	10	10
	1940-2400	6*	4	A00406.25.06	5	5
Backset 40	300-500	1	2	A00406.40.01	10	10
	500-800	2	2	A00406.40.02	10	10
	800-1100	3	2	A00406.40.03	10	10
	1100-1400	4	3	A00406.40.04	10	10
	1400-1800	5	3	A00406.40.05	10	10
	1940-2400	6*	4	A00406.40.06	5	5

* Do not use on Tilt only windows

Rod catch

2			
	A00403.00.01	50	1000



Stay arm for Tilt only windows

GR 1	To be fixed on mod. 406 GR1	A00158.00.01	20	20
GR 2	To be fixed on mod. 406 GR2-GR5	A00158.00.02	20	20



Espagnolettes - Sliding windows



Mod. 404 with hooks

	SRH	GR	Hooks	Handle			
Backset 15	800-1000	3	2	400	A00404.15.03	10	10
	1800-2000	8	3	1050	A00404.15.08	10	10
Backset 25	800-1000	3	2	400	A00404.25.03	10	10
	1800-2000	8	3	1050	A00404.25.08	5	5
Backset 40	800-1000	3	2	400	A00404.40.03	10	10
	1800-2000	8	3	1050	A00404.40.08	5	5



Rod catch

A00403.00.01 50 1000



Espagnolettes - Terminals and Accessories



Upper shoot bolt

11 mm throw			
Length 180	A00487.00.01	20	200
Length 120	A00487.00.02	20	200
15 mm throw			
Length 180	A00486.00.01	20	200
Length 120	A00486.00.02	20	200



Lower bolt with reverse gear

11 mm throw			
Length 180	A00485.00.01	20	200
15 mm throw			
Length 180	A00484.00.01	20	200



Terminal with cam

Without cam	A00481.00.04	20	20
With 16mm stroke cam	A00481.00.05	20	20

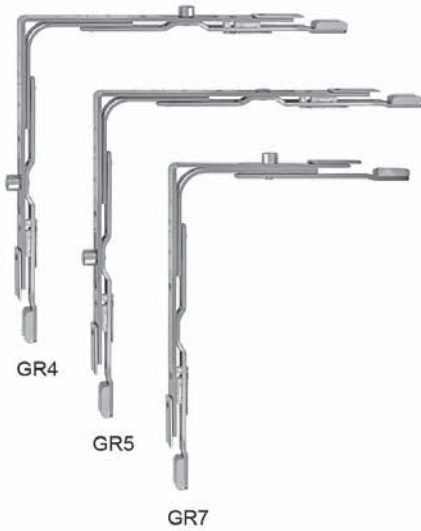
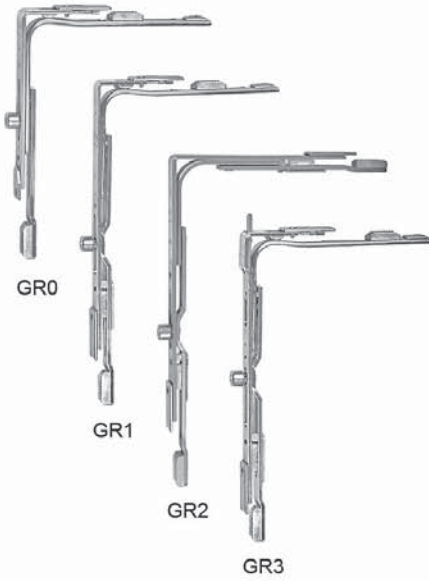


Corner drives



Standard

	SRW	SRH		Cam			
GR 0	280-410	370-485	1 SASH	1	A20009.00.00	20	20
GR 1	280-410	435-2400	1/2 SASHES	1	A20009.00.01	20	20
GR 2	350-1600	435-2400	1/2 SASHES	1	A20009.00.02	20	20
GR 3	280-1530	435-2400	2 SASHES	1P	A20009.00.03	20	20
GR 4	410-1660	435-2400	1/2 SASHES	2	A20009.00.04	20	20
GR 5	410-1660	435-2400	2 SASHES	1	A20009.00.05	20	20
GR 7	350-1600	435-2400	2 SASHES	1	A20009.00.07	20	20
GR 8	350-1600	435-2400	2 SASHES	2	A20009.00.08	20	20
GR 9	280-1530	435-2400	2 SASHES	P	A20009.00.09	20	20



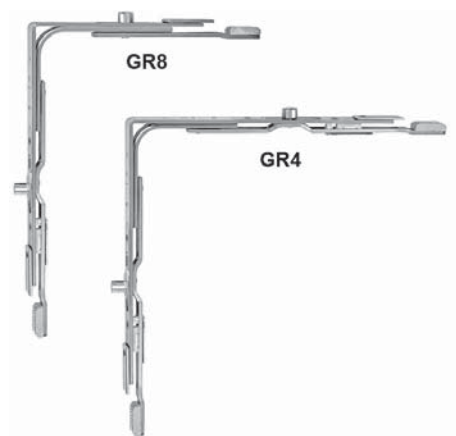


Corner drives



For angled windows

	SRW	SRH	Cam			
GR 2	350-1600	435-2400	1	A20022.00.02	20	20
GR 4	410-1660	435-2400	2	A20022.00.04	20	20



For Micro-ventilation

	SRW	SRH		Cam		
GR 4	410-1660	435-2400	1/2 SASHES	1	A31011.00.04	20 20
GR 8	350-1600	435-2400	1/2 SASHES	1	A31011.00.08	20 20



Striker for Micro-ventilation corner drive

gap 12	A38010.05.24	50	300
--------	--------------	----	-----



Stay arm - TESI for wooden windows



For rectangular windows

SRW	Cam				
280-480	GR 1		A32011.00.01	10	10
480-600	GR 2		A32011.00.02	10	10
600-800	GR 3		A32011.00.03	10	10
800-1000	GR 4	1	A32011.00.04	10	10
1000-1200	GR 5	1	A32011.00.05	10	10
1200-1400	GR 6	1	A32011.00.06	10	10
1400-1600	GR 7	1	A32011.00.07	10	10



For arched windows axis 9

	L	Cam			
Rebate 18	305	GR 0		A32531.24.00	10 10
	415	GR 1	1	A32531.24.01	10 10
	960	GR 2	2	A32531.24.02	10 10

NB: compatible with the previous version, by replacing the stay arm support (A33232.24.00)
Inclusive of stay angle

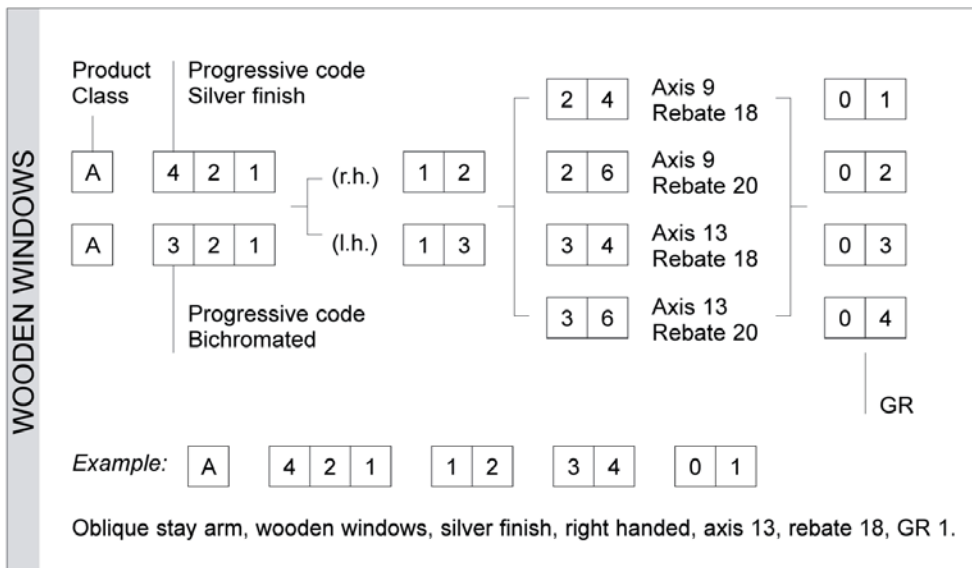
	L	Cam			
Rebate 20	305	GR 0		A42531.36.00	10 10
	415	GR 1	1	A42531.36.01	10 10
	960	GR 2	2	A42531.36.02	10 10

NB: compatible with the previous version, by replacing the stay arm support (A33232.26.00)
Inclusive of stay angle



For angled windows

SRW	GR	Cam			
280-480	1			A321xx.xx.01	1 10
480-600	2			A321xx.xx.02	1 10
600-800	3			A321xx.xx.03	1 10
800-1000	3	1		A321xx.xx.04	1 10





Stay arm - ø 34 for wooden windows



Gap 4 - For rectangular windows

	SRW	Cam			
Rebate 15/18	280-480	GR 1		A20111.01.01	10 10
	480-600	GR 2		A20111.01.02	10 10
	600-800	GR 3		A20111.01.03	10 10
	800-1000	GR 4	1	A20111.01.04	10 10
	1000-1200	GR 5	1	A20111.01.05	10 10
	1200-1400	GR 6	1	A20111.01.06	10 10
	1400-1600	GR 7	1	A20111.01.07	10 10

Gap 11/12 - For rectangular windows

	SRW	Cam			
Rebate 18/20	280-480	GR 1		A20111.06.01	10 10
	480-600	GR 2		A20111.06.02	10 10
	600-800	GR 3		A20111.06.03	10 10
	800-1000	GR 4	1	A20111.06.04	10 10
	1000-1200	GR 5	1	A20111.06.05	10 10
	1200-1400	GR 6	1	A20111.06.06	10 10
	1400-1600	GR 7	1	A20111.06.07	10 10



Gap 4 - For arched windows

	L	Cam			
Rebate 15/18	305	GR 0		A32511.01.00	10 10
	415	GR 1	1	A32511.01.01	10 10
	960	GR 2	2	A32511.01.02	10 10

NB. compatible with the previous version, by keeping the same stay arm support on the jamb

Gap 11/12 - For arched windows

	L	Cam			
Rebate 18/20	305	GR 0		A32511.06.00	10 10
	415	GR 1	1	A32511.06.01	10 10
	960	GR 2	2	A32511.06.02	10 10

NB. compatible with the previous version, by keeping the same stay arm support on the jamb



Gap 4 - For angled windows

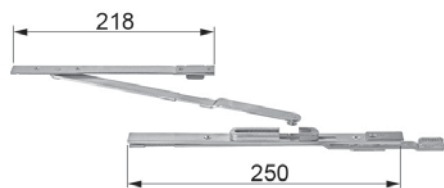
	SRW	Cam			
Rebate 15/18	280-480	GR 1		A20112.01.01	10 10
	480-600	GR 2		A20112.01.02	10 10
	600-800	GR 3		A20112.01.03	10 10
	800-1000	GR 4	1	A20112.01.04	10 10
	1000-1200	GR 5	1	A20112.01.05	10 10
	1200-1400	GR 6	1	A20112.01.06	10 10
	1400-1600	GR 7	1	A20112.01.07	10 10

Gap 11/12 - For angled windows

	SRW	Cam			
Rebate 18/20	280-480	GR 1		A20112.06.01	10 10
	480-600	GR 2		A20112.06.02	10 10
	600-800	GR 3		A20112.06.03	10 10
	800-1000	GR 4	1	A20112.06.04	10 10
	1000-1200	GR 5	1	A20112.06.05	10 10
	1200-1400	GR 6	1	A20112.06.06	10 10



Stay arm - Supplementary and Tilt only



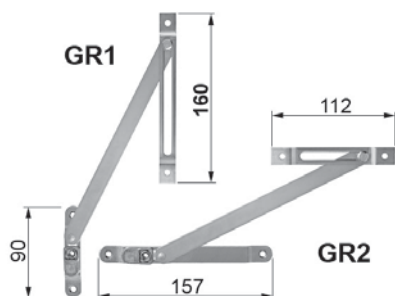
Supplementary for rectangular windows

L				
250	With angular GR2 only	A20012.00.01	20	20



Supplementary stay arm for arched windows

L		Cam		
355	GR 0		A20025.00.00	10 10
465	GR 1	1	A20025.00.01	10 10
1010	GR 2	2	A20025.00.02	10 10



Stay arm for Tilt only

GR 1	To be fixed on mod. 406 GR1	A00158.00.01	20	20
GR 2	To be fixed on mod. 406 GR2-GR5	A00158.00.02	20	20



Stay arm - TESI surface mounted



For rectangular windows

	SRW		Cam		
	280-480	GR 1	A32011.00.01	10	10
	480-600	GR 2	A32011.00.02	10	10
	600-800	GR 3	A32011.00.03	10	10
	800-1000	GR 4 1	A32011.00.04	10	10
	1000-1200	GR 5 1	A32011.00.05	10	10
	1200-1400	GR 6 1	A32011.00.06	10	10
	1400-1600	GR 7 1	A32011.00.07	10	10



For arched windows, rebate 18

	L		Cam		
Axis 9	305	GR 0	A32521.24.00	10	10
	415	GR 1 1	A32521.24.01	10	10
	960	GR 2 2	A32521.24.02	10	10
Axis 13	305	GR 0	A32521.34.00	10	10
	415	GR 1 1	A32521.34.01	10	10
	960	GR 2 2	A32521.34.02	10	10

NB: compatible with the previous version, by replacing the stay arm support (A33222.07.03)

For arched windows, rebate 20

	L		Cam		
Axis 9	305	GR 0	A32521.26.00	10	10
	415	GR 1 1	A32521.26.01	10	10
	960	GR 2 2	A32521.26.02	10	10
Axis 13	305	GR 0	A32521.36.00	10	10
	415	GR 1 1	A32521.36.01	10	10
	960	GR 2 2	A32521.36.02	10	10
Axis 26	305	GR 0	A32521.46.00	10	10
	415	GR 1 1	A32521.46.01	10	10
	960	GR 2 2	A32521.46.02	10	10

NB: compatible with the previous version, by replacing the stay arm support (A33222.07.03)

For arched windows, rebate 22

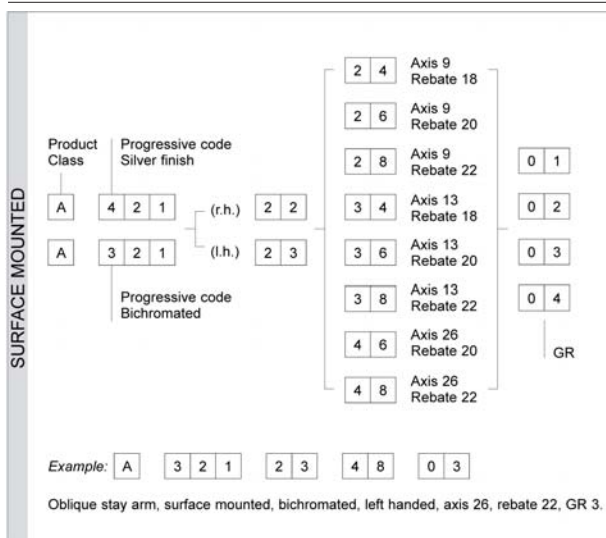
	L		Cam		
Axis 9	305	GR 0	A32521.28.00	10	10
	415	GR 1 1	A32521.28.01	10	10
	960	GR 2 2	A32521.28.02	10	10
Axis 13	305	GR 0	A32521.38.00	10	10
	415	GR 1 1	A32521.38.01	10	10
	960	GR 2 2	A32521.38.02	10	10
Axis 26	305	GR 0	A32521.48.00	10	10
	415	GR 1 1	A32521.48.01	10	10
	960	GR 2 2	A32521.48.02	10	10

NB: compatible with the previous version, by replacing the stay arm support (A33222.07.03)



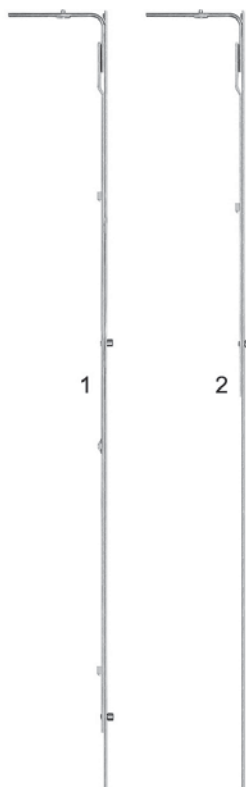
For angled windows

	SRW		Cam		
	280-480	1	A321xx.xx.01	1	10
	480-600	2	A321xx.xx.02	1	10
	600-800	3	A321xx.xx.03	1	10
	800-1000	3 1	A321xx.xx.04	1	10





Central and corner locks



Central lock - short faceplate

1	SRW/SRH	Cam				
	750-950	GR 1	1	A20013.00.01	10	10
	950-1250	GR 2	1	A20013.00.02	10	10
	1250-1800	GR 3	1	A20013.00.03	10	10
	1800-2400	GR 4	2	A20013.00.04	10	10

NB: DSS use is recommended

Central lock - long faceplate

1	SRW/SRH	Cam				
	630-1065	GR 1	1	A20014.00.01	10	10
	1066-1365	GR 2	1	A20014.00.02	10	10
	1366-1915	GR 3	1	A20014.00.03	10	10
	1916-2515	GR 4	2	A20014.00.04	10	10

NB: DSS use is recommended



1 Horizontal/Vertical corner drives for arched and angled windows

SRW/SRH	Cam				
370-590	470-690	GR 1		A20023.00.01	10 10
591-810	691-910	GR 2		A20023.00.02	10 10
811-1030	911-1130	GR 3	1	A20023.00.03	10 10
1031-1250	1131-1350	GR 4	1	A20023.00.04	10 10

2 Kit cuneo di sollevamento e vite

	A31901.00.00	20	20
--	--------------	----	----

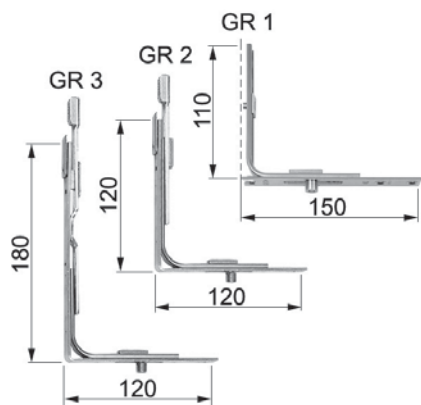


Central and corner locks



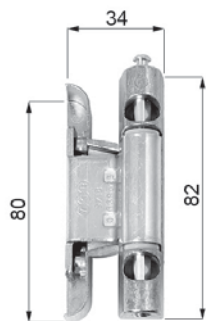
Corner lock

		Cam			
150X110	GR 1	1	A20007.00.01	20	20
120X120	GR 2	1	A20007.00.02	20	20
120X180	GR 3	1	A20007.00.03	20	20





Stay supports - TESI for wooden windows



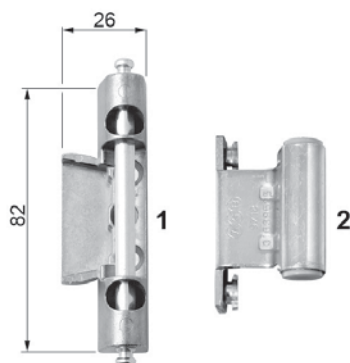
Gap 4

Rebate 15/18	A33032.24.00	20	100
For separated transom/jamb	A33033.24.00	20	100



Gap 11/12 - rectangular windows

Rebate 18	A33031.24.00	20	100
Rebate 20	A33031.26.00	20	100



Separate components - rectangular windows

1	Rebate 18	Support only - gap12	A33030.24.00	1	50
2	Rebate 18	Stay angle - gap 4/11/12	A32321.24.00	1	50

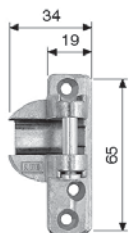


Gap 4/11/12 - arched windows

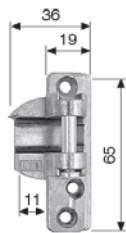
Rebate 18	adjustable from 0 to -4 mm	A33232.24.00	10	100
Rebate 20	adjustable from 0 to -4 mm	A33232.26.00	10	100



Stay supports - \varnothing 34 for wooden windows



Aria - gap 4



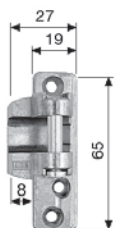
Aria - gap 11/12

Gap 4 - rectangular windows

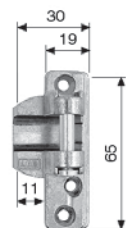
Rebate 15/18	rh	A20041.01.01	20	100
	lh	A20041.01.02	20	100

Gap 11/12 - rectangular windows

Rebate 18/20	rh	A20041.06.01	20	100
	lh	A20041.06.02	20	100



Aria - gap 4



Aria - gap 11/12

Gap 4 - arched windows

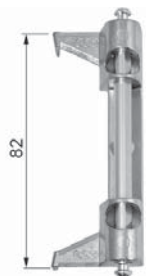
Rebate 15/18	rh	A20041.01.03	20	100
	lh	A20041.01.04	20	100

Gap 11/12 - arched windows

Rebate 18/20	rh	A20041.06.05	20	100
	lh	A20041.06.06	20	100



Stay supports - TESI surface mounted



With resting plates - rectangular windows

Rebate 18	A33023.07.00	20	200
Rebate 20	A33022.07.00	20	200
Rebate 22	A33021.07.00	20	200



With ø 3 mm pins - rectangular windows

	A33021.07.03	20	200
--	--------------	----	-----



Stay angle

Axis 9	Rebate 18	A32320.24.00	20	200
	Rebate 20	A32320.26.00	20	200
	Rebate 22	A32320.28.00	20	200
Axis 13	Rebate 18	A32320.34.00	20	200
	Rebate 20	A32320.36.00	20	200
	Rebate 22	A32320.38.00	20	200
Axis 26	Rebate 20	A32320.46.00	20	100
	Rebate 22	A32320.48.00	20	100



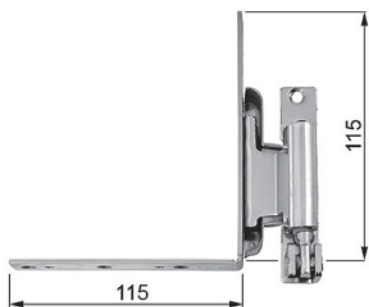
Adjustable - for arched windows

adjustable from 0 to -4 mm	A33222.07.03	10	100
----------------------------	--------------	----	-----

NB: 0/ -4 mm adjustment

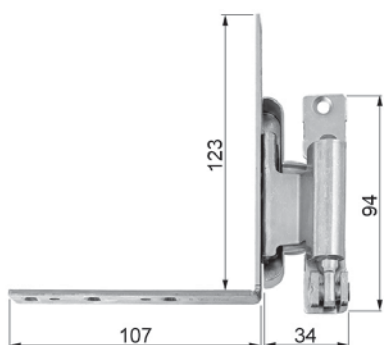


Hinges - TESI for rectangular wooden windows



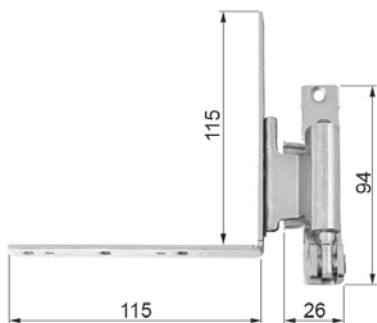
Gap 4

Rebate 15/18	rh	A34036.24.01	20	20
	lh	A34036.24.02	20	20



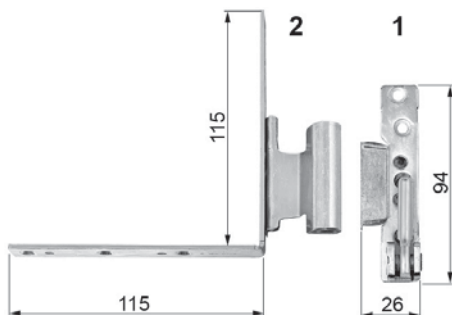
Gap 4 - for aluminium sill

Rebate 15/18	rh	A34037.24.01	20	20
	lh	A34037.24.02	20	20



Gap 11/12

Rebate 18	rh	A34030.24.01	20	20
	lh	A34030.24.02	20	20
Rebate 20	rh	A34030.26.01	20	20
	lh	A34030.26.02	20	20

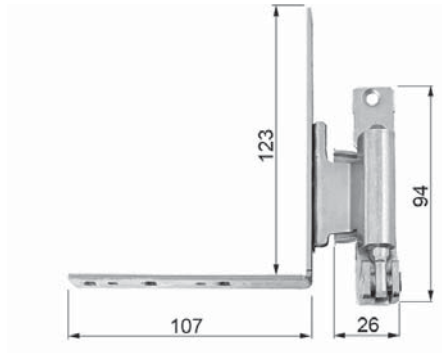


Gap 11/12 - separate components

1 Rebate 18	Support only	rh	A34204.24.01	1	50
	Support only	lh	A34204.24.02	1	50
2 Rebate 18	Hinge only	rh	A34031.24.01	1	50
	Hinge only	lh	A34031.24.02	1	50

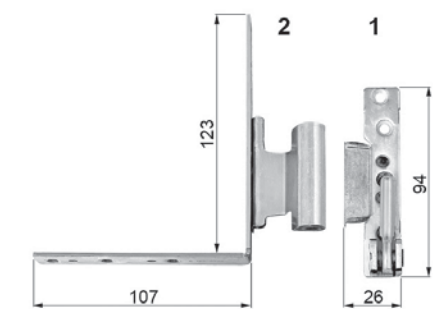


Hinges - TESI for rectangular wooden windows



Gap 11/12 - for aluminium sill

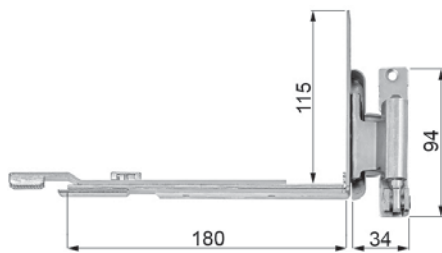
Rebate 18	rh	A34034.24.01	20	20
	lh	A34034.24.02	20	20
Rebate 20	rh	A34034.26.01	20	20
	lh	A34034.26.02	20	20



Gap 11/12 - for aluminium sill - Separated components

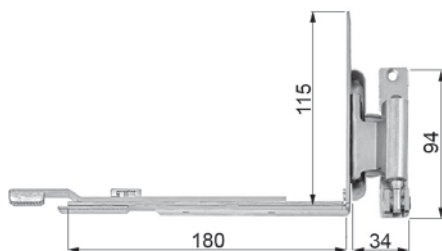
1 Rebate 18	Support only	rh	A34204.24.01	1	50
	Support only	lh	A34204.24.02	1	50
2 Rebate 18	Hinge only	rh	A34035.24.01	1	20
	Hinge only	lh	A34035.24.02	1	20

Hinges - TESI for arched and angled wooden windows



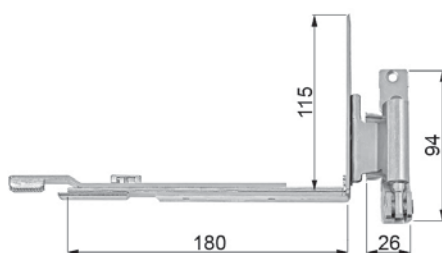
Gap 4

Rebate 15/18	rh	A34136.24.01	20	20
	lh	A34136.24.02	20	20



Gap 4 - for aluminium sill

Rebate 15/18	rh	A34137.24.01	20	20
	lh	A34137.24.02	20	20

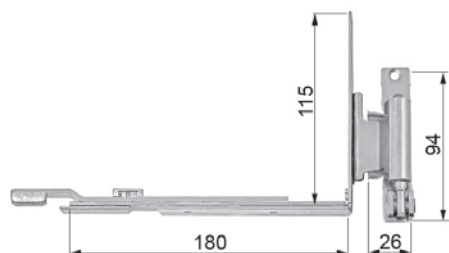


Gap 11/12

Rebate 18	rh	A34130.24.01	20	20
	lh	A34130.24.02	20	20
Rebate 20	rh	A34130.26.01	20	20
	lh	A34130.26.02	20	20



Hinges - TESI for arched and angled wooden windows

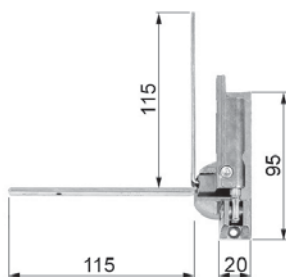


Gap 11/12 - for aluminium sill

Rebate 18	rh	A34134.24.01	20	20
	lh	A34134.24.02	20	20
Rebate 20	rh	A34134.26.01	20	20
	lh	A34134.26.02	20	20



Hinges - \varnothing 34 for rectangular wooden windows



Pz. 1 Cerniera - Hinge
 Pz. 1 Supporto forcice - Stay support
 Pz. 1 Incontro ribalta - Tilt keep
 Pz. 2 Inc. Nott. - Cam keep

Gap 4

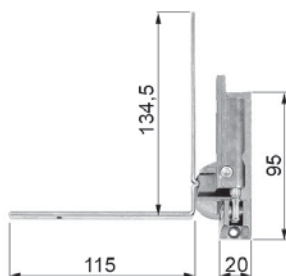
Rebate 15/18	rh	A20040.01.01	20	20
	lh	A20040.01.02	20	20

Gap 4 - basic kit 130 kg

rh	A20118.01.01	20	20
lh	A20118.01.02	20	20

Gap 4 - for aluminium sill

Rebate 15/18	rh	A20040.01.05	20	20
	lh	A20040.01.06	20	20

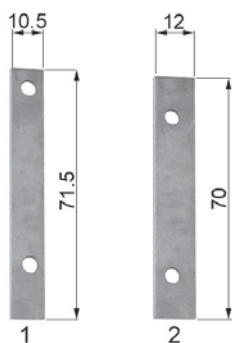


Gap 11/12

Rebate 18/20	rh	A20040.06.01	20	20
	lh	A20040.06.02	20	20

Gap 11/12 - for aluminium sill

Rebate 18/20	rh	A20040.06.05	20	20
	lh	A20040.06.06	20	20



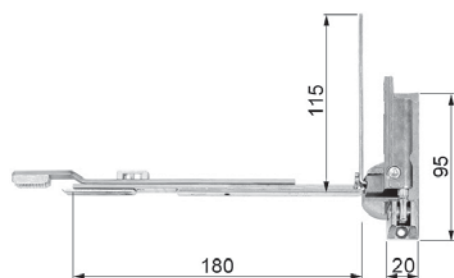
Adapter for 12 mm rebate

1	A20119.00.05	50	50
---	--------------	----	----

Shim for central hinge

2	for Rebate 18	A20019.00.10	100	100
---	---------------	--------------	-----	-----

Hinges - \varnothing 34 for arched and angled wooden windows



Gap 4

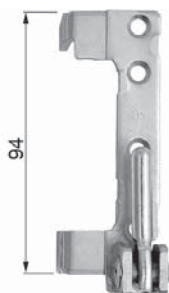
Rebate 15/18	rh	A20040.01.03	20	20
	lh	A20040.01.04	20	20

Gap 11/12

Rebate 18/20	rh	A20040.06.03	20	20
	lh	A20040.06.04	20	20



Hinges - TESI surface mounted for rectangular PVC windows



Corner support with resting plates

Rebate 18	rh	A34203.07.11	20	100
	lh	A34203.07.12	20	100
Rebate 20	rh	A34203.07.09	20	100
	lh	A34203.07.10	20	100
Rebate 22	rh	A34203.07.01	20	100
	lh	A34203.07.02	20	100



Corner support with ø 7 mm pins

A34201.07.04	20	100
--------------	----	-----

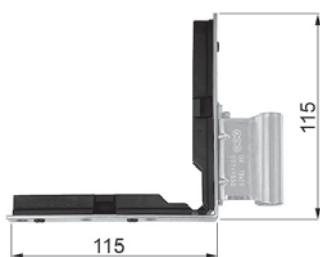
Corner support with ø 7 mm pins (20 lower, 35 upper)

A34201.07.13	20	100
--------------	----	-----



Corner support with ø 3 mm pins

A34201.07.05	20	200
--------------	----	-----



Corner hinge - rebate 18 with adapter

Axis 9	rh	A34026.24.01	20	20
	lh	A34026.24.02	20	20
Axis 13	rh	A34026.34.01	20	20
	lh	A34026.34.02	20	20

Corner hinge - rebate 20 with adapter

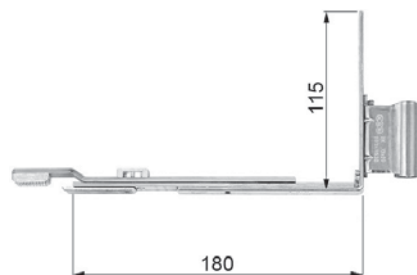
Axis 9	rh	A34026.26.01	20	20
	lh	A34026.26.02	20	20
Axis 13	rh	A34026.36.01	20	20
	lh	A34026.36.02	20	20
Axis 26	rh	A34026.46.01	20	20
	lh	A34026.46.02	20	20

Corner hinge - rebate 22 with adapter

Axis 9	rh	A34026.28.01	20	20
	lh	A34026.28.02	20	20
Axis 13	rh	A34026.38.01	20	20
	lh	A34026.38.02	20	20
Axis 26	rh	A34026.48.01	20	20
	lh	A34026.48.02	20	20



Hinges - TESI surface mounted for arched and angled PVC windows



Corner hinge - rebate 18

Axis 9	rh	A34121.24.01	20	20
	lh	A34121.24.02	20	20
Axis 13	rh	A34121.34.01	20	20
	lh	A34121.34.02	20	20

Corner hinge - rebate 20

Axis 9	rh	A34121.26.01	20	20
	lh	A34121.26.02	20	20
Axis 13	rh	A34121.36.01	20	20
	lh	A34121.36.02	20	20
Axis 26	rh	A34121.46.01	20	20
	lh	A34121.46.02	20	20

Corner hinge - rebate 22

Axis 9	rh	A34121.28.01	20	20
	lh	A34121.28.02	20	20
Axis 13	rh	A34121.38.01	20	20
	lh	A34121.38.02	20	20
Axis 26	rh	A34121.48.01	20	20
	lh	A34121.48.02	20	20



Accessories for inactive sash



Handle displacement (0 mm backset)

REBATE WITHOUT GASKET

Rebate 11	GR 1	A20000.00.01	50	50
Rebate 15	GR 2	A20000.00.02	50	50
Rebate 18	GR 3	A20000.00.03	50	50
Rebate 20	GR 4	A20000.00.04	50	50

REBATE WITH GASKET

Rebate 11	GR 1	A20001.00.01	50	50
Rebate 15	GR 2	A20001.00.02	50	50
Rebate 18	GR 3	A20001.00.03	50	50
Rebate 20	GR 4	A20001.00.04	50	50



Shim for handle displacement

REBATE WITH GASKET

A30907.00.00	50	50
--------------	----	----



Lifting striker gap 4 (frame part)

A20017.01.16	50	250
--------------	----	-----



Lifting strikers gap 11/12 (frame part)

Flat base	A20017.06.16	50	250
-----------	--------------	----	-----

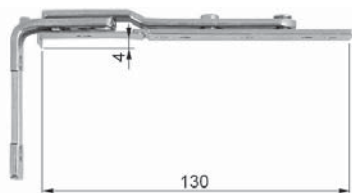


Plate for lifting strikers (sash part)

19 mm width	A20035.00.04	50	1000
for 16/12 eurogro.	A20017.25.33	50	1000

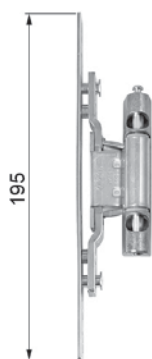


Hinges for inactive sash - TESI for wooden windows



Stay hinge

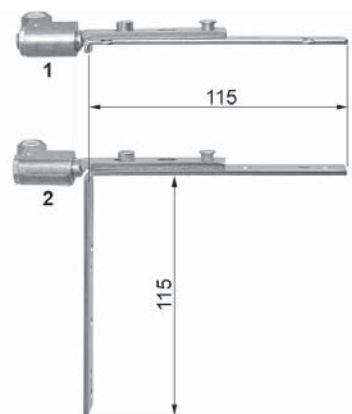
A34331.05.00	20	100
--------------	----	-----



Gap 4/11/12 - Central hinge, adjustable

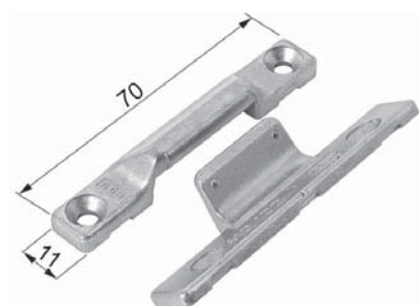
Rebate 18	A34441.24.00	20	20	1
Rebate 20	A34441.26.00	20	20	1

Hinges for inactive sash - ø 34 for wooden windows



Stay hinge for rectangular windows

1 gap 4	A20138.01.01	20	20
2 gap 11/12	A20138.06.01	20	20

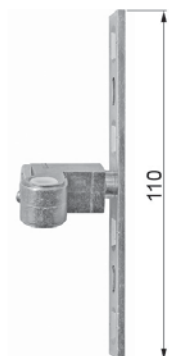


Central hinge, surface mounted

Single gasket gap 4	A20028.01.01	20	20
Double gasket gap 4	A20028.01.02	20	20
Double gasket gap 11/12	A20028.06.01	20	200



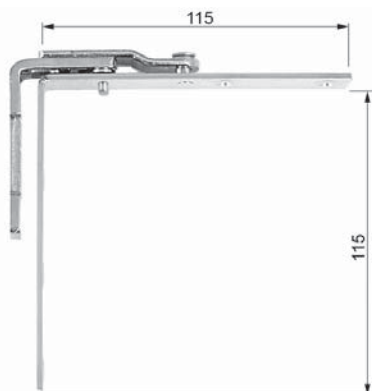
Hinges for inactive sash - ø 34 for wooden windows



Upper hinge for arched windows

gap 4	A20138.01.02	20	100
gap 11/12	A20138.06.02	20	100

Hinges for inactive sash - TESI surface mounted for PVC windows



Stay hinge for rectangular windows

A34321.07.00	20	20
--------------	----	----

NB: the product being edited

Loading hinge with double adjustment

Axis 9	Rebate 18	A34442.24.00	20	20
	Rebate 20	A34442.26.00	20	20
	Rebate 22	A34442.28.00	20	20
Axis 13	Rebate 18	A34442.34.00	20	20
	Rebate 20	A34442.36.00	20	20
	Rebate 22	A34442.38.00	20	20
Axis 26	Rebate 20	A34442.46.00	20	20
	Rebate 22	A34442.48.00	20	20

NB: can be used as central or upper hinge for arched windows



Hidden central hinges



Gap 4



A34805.01.00	20	20
--------------	----	----

Can be used in conjunction with ø34 e ø40 hinges

Gap 11



8 + 7

A34805.04.00	20	20
--------------	----	----

Can be used in conjunction with ø34 e ø40 hinges

Gap 12



A34805.05.00	20	20
--------------	----	----

Can be used in conjunction with ø34 e ø40 hinges

Pvc



A34805.xx.00	☎	20	20
--------------	---	----	----

NB: the product being edited

Frame, gap 12 - Sash with 16/12 eurogroove



A34807.05.00	20	20
--------------	----	----

Frame, gap 11 (8+7) - Sash with 16/12 eurogroove



A34807.04.00	20	20
--------------	----	----



MAXI hinge for 3 and 4 sashes wooden windows



For timber, asymmetrical - surface mounted - auto-jig H 60
With $\varnothing 8$ x 25 threaded pins

A39403.02.04 12 12



For timber, asymmetrical - external opening - surface mounted - auto-jig H 60
With $\varnothing 8$ x 25 threaded pins

A39403.04.04 12 12



For timber, asymmetrical - surface mounted - auto-jig H 90
With $\varnothing 8$ x 25 threaded pins

A39403.01.04 12 12



MAXI hinge for 3 and 4 sashes wooden windows



For timber, asymmetrical - external opening - surface mounted - auto-jig H 90

With ø8 x 25 threaded pins

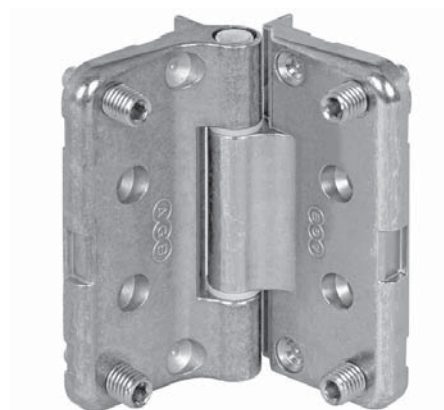
A39403.03.04	12	12
--------------	----	----



For timber, symmetrical - surface mounted - auto-jig H 60

With ø8 x 25 threaded pins

A39403.06.04	12	12
--------------	----	----



For timber, symmetrical - surface mounted - auto-jig H 60

With ø8 x 25 threaded pins

A39403.05.04	12	12
--------------	----	----



1 mm thickness compensator

1 H60

A39403.98.00	500	500
--------------	-----	-----

2 H90

A39403.99.00	500	500
--------------	-----	-----

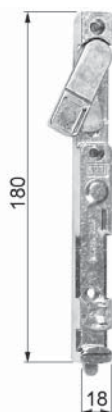


Bolts



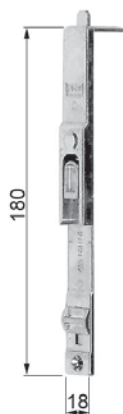
Lower

gap 4	A20036.01.01	20	20
gap 11 (8+5)	A20036.02.01	20	20
gap 12	A20036.05.01	20	20
Pvc	A20036.xx.01	☎	20 20
16/12 eurogroove	A20036.25.01	20	20



Upper

gap 4	A20036.01.02	20	20
gap 11 (8+5)	A20036.02.02	20	20
gap 12	A20036.05.02	20	20
Pvc	A20036.xx.02	☎	20 20
16/12 eurogroove	A20036.25.02	20	20



Upper and lower - adjustable throw

18 mm faceplate			
Length 210	gap 4	A20061.01.01	20 180
	gap 4	with foot push rod 7,8	☎ 20 180
	gap 4	Toupie	A20061.00.01 20 180
	gap 4	El.mill.up/rh-low/lh	A20062.01.01 20 180
	gap 4	El.mill.up/lh-low/rh	A20063.01.01 20 180
	gap 4	El.mill.up/lh-low/rh*	A20163.01.01 20 180
	gap 4	El.mill.up/lh-low/rh*	A20162.01.01 20 180
	gap 11/12	A20061.05.01	20 180
	gap 12	with foot p-rod 7,8	A20161.05.01 20 180
	Length 300	gap 4	A20061.01.02
gap 4		Toupie	A20061.00.02 20 180
gap 4		El.mill.up/rh-low/lh	A20062.01.02 20 180
gap 4		El.mill.up/lh-low/rh	A20063.01.02 20 180
gap 11/12		A20061.05.02	20 180
gap 11/12		A20061.05.02	20 180

*with foot





Extensible Bolt for 16/12 eurogroove with pre-assembled strikers



1 Extensible bolt - gap 12, 11 mm throw

SRH	GR	Cam			
600-800	2		A36110.00.02	20	20
800-1000	3	1	A36110.00.03	20	20
1000-1200	4	1	A36110.00.04	20	20
1200-1400	5	1	A36110.00.05	20	20
1400-1600	6	1	A36110.00.06	20	20
1600-1800	7	1	A36110.00.07	20	20
1800-2000	8	2	A36110.00.08	20	20
2000-2200	9	2	A36110.00.09	20	20
2200-2400	10	2	A36110.00.10	20	20

2 Shoot bolt

11 mm throw

Length 120	A00487.00.02	20	200
Length 180	A00487.00.01	20	200

3 Shoot bolt with cam striker

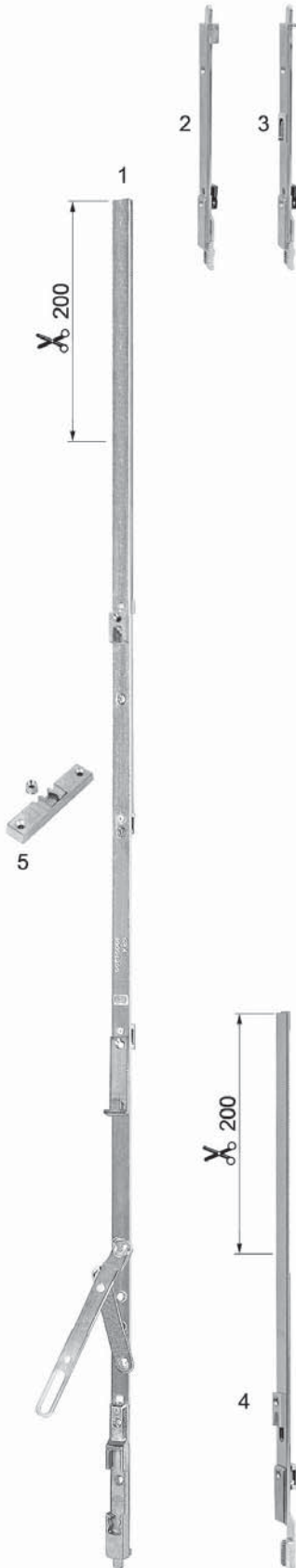
11 mm throw	A20035.00.01	20	20
-------------	--------------	----	----

4 Extension for 16/12 bolt with cam striker

Length 400	A36905.00.02	20	20
------------	--------------	----	----

5 Sash catcher

gap 11/12	18X84X9,5	A20017.06.18	50	300
-----------	-----------	--------------	----	-----





Extensible Bolt for Euronut 8+5 groove



1 Extensible bolt - gap 11, 11 mm throw

SRH	GR	Cam			
600-800	GR 2		A20032.02.02	20	20
800-1000	GR 3	1	A20032.02.03	20	20
1000-1200	GR 4	1	A20032.02.04	20	20
1200-1400	GR 5	1	A20032.02.05	20	20
1400-1600	GR 6	1	A20032.02.06	20	20
1600-1800	GR 7	1	A20032.02.07	20	20
1800-2000	GR 8	2	A20032.02.08	10	10
2000-2200	GR 9	2	A20032.02.09	10	10
2200-2400	GR	2	A20032.02.10	10	10

2 Shoot bolt

Length 180	A20035.02.01	20	20
------------	--------------	----	----

3 Cam striker

	A20035.02.02	50	1000
--	--------------	----	------

4 Latch striker

	A20035.02.03	50	50
--	--------------	----	----

5 Striker + lifting cam for Unitop

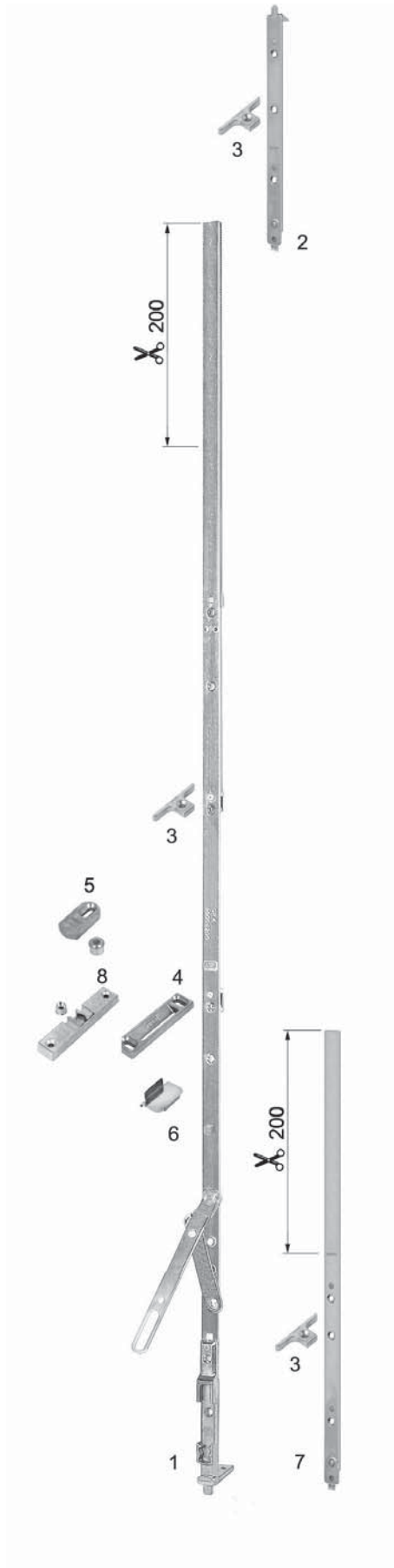
	A20035.02.04	50	50
--	--------------	----	----

6 DSS protection tang

	A20099.00.01	50	50
--	--------------	----	----

7 Extension for Euronut bolt

	A20035.02.05	20	20
--	--------------	----	----





Extensible Bolt for Euronut 8+7 groove



1 Extensible bolt - gap 11, 11 mm throw

SRH	GR	Cam			
600-800	2		A20032.04.02	20	20
800-1000	3	1	A20032.04.03	20	20
1000-1200	4	1	A20032.04.04	20	20
1200-1400	5	1	A20032.04.05	20	20
1400-1600	6	1	A20032.04.06	20	20
1600-1800	7	1	A20032.04.07	20	20
1800-2000	8	2	A20032.04.08	10	10
2000-2200	9	2	A20032.04.09	10	10
2200-2400	10	2	A20032.04.10	10	10

2 Shoot bolt

Length 180	A20035.02.01	20	20
------------	--------------	----	----

3 Cam striker

	A20035.04.02	50	1000
--	--------------	----	------

4 Spring latch striker

	A20035.02.03	50	50
--	--------------	----	----

5 Striker + lifting cam for Unitop

	A20035.02.04	50	50
--	--------------	----	----

6 DSS protection tang

	A20099.00.01	50	50
--	--------------	----	----

7 Extension for Euronut bolt

	A20035.02.05	20	20
--	--------------	----	----

8 Adjustable striker for Euronut 8+7 throw

gap 4	A20017.01.35	50	500
gap 11 (8+7)	A20017.04.35	50	500
gap 12	A20017.05.35	50	500





Extensible Bolt for Euronut, 180° lever



1 Extensible bolt - gap 11, 11 mm throw-rh

SRH	GR	Cam			
600-800	2		A36121.02.02	10	10
801-1000	3		A36121.02.03	10	10
1001-1200	4		A36121.02.04	10	10
1201-1400	5		A36121.02.05	10	10
1401-1600	6		A36121.02.06	10	10
1601-1800	7		A36121.02.07	10	10
1801-2000	8		A36121.02.08	10	10
2001-2200	9		A36121.02.09	10	10
2201-2400	10		A36121.02.10	10	10

1 Extensible bolt - gap 11, 11 mm throw-lh

SRH	GR			
600-800	2		A36122.02.02	10 10
801-1000	3		A36122.02.03	10 10
1001-1200	4		A36122.02.04	10 10
1201-1400	5		A36122.02.05	10 10
1401-1600	6		A36122.02.06	10 10
1601-1800	7		A36122.02.07	10 10
1801-2000	8		A36122.02.08	10 10
2001-2200	9		A36122.02.09	10 10
2201-2400	10		A36122.02.10	10 10

2 Upper terminal

Length 180	A20035.02.01	20	20
<i>NB: can be used on 8+5, 8+6 and 8+7 central joint, in conjunction with proper strikers</i>			

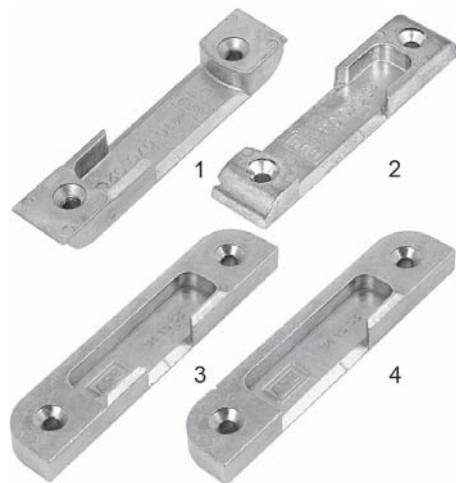
3 Extension for Euronut bolt

A20035.02.05	20	20
--------------	----	----





Cam strikers



Gap 4

1	18X82x8		A20017.01.02	50	500
2	18X82x8	surface mounted	A20017.01.10	50	500
3 El. Mill	19X94X8	16+16 stroke	A20027.01.06	250	250
4 El. Mill	19X94X8	16 stroke rh	A20027.01.08	250	250
	19X94X8	16 stroke lh	A20027.01.09	250	250



Gap 11

Groove 8+6	15X46X8		A20017.03.02	50	500
Groove 8+7	16X46X8		A20017.04.02	50	500



Gap 12

Flat base	17X46X8		A38010.05.02	50	500
-----------	---------	--	--------------	----	-----



Pvc

variable			Axxxxx.xx.02	☎ 1	1
----------	--	--	--------------	-----	---



16/12 eurogroove

18X46X8	Groove 16/12		A20017.25.32	50	50
---------	--------------	--	--------------	----	----



For traditional espagnolettes

1	18X72X8	For vert. milling	A20026.01.11	50	500
2	16X66X7,5	For horiz. milling	A20026.01.10	50	500
3	31X74X8	For larger rebate	A20027.01.10	☎ 50	500



Cam strikers



Extensible bolt for 16/12 eurogroove

A20035.00.03 50 1000

NB: to use with bolt A40032.05.XX



DSS strikers



Gap 4

rh	18X82X8	A38011.01.03	50	500
lh	18X82X8	A38012.01.03	50	500



Gap 12

rh	17X46X8	A38011.05.03	50	500
lh	17X46X8	A38012.05.03	50	500



Gap 11 (8+6) and 11 (8+7)

rh	14X46X8	A38011.11.03	50	500
lh	14X46X8	A38012.11.03	50	500



Extensible bolt for 16/12 eurogroove

	18X64X8	A38010.09.03	50	500
--	---------	--------------	----	-----

NB: to use with bolt A40032.05.XX



PVC

	variable	Axxxxx.xx.03	📞	50	500
--	----------	--------------	---	----	-----



PVC, 16/12 eurogroove

1				
groove 16/12	18X46X14	A38010.19.03	50	500

Wood and Wood-aluminium, 16/12 eurogroove

2				
rh	17X46X11	A38011.19.33	50	500
lh	17X46X11	A38012.19.33	50	500

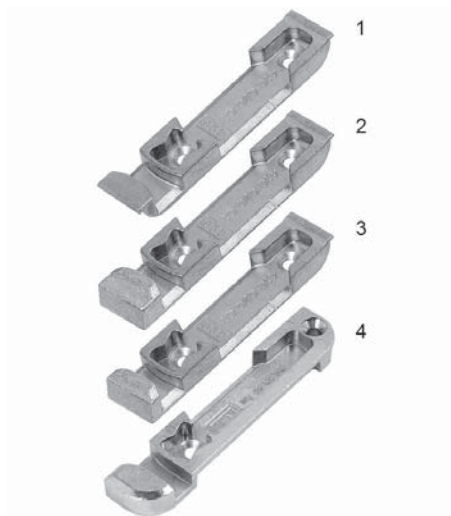


Gap 4 for electronic Mill

rh	19X94X8	A38021.01.03	250	250
lh	19X94X8	A38022.01.03	250	250



Tilt strikers



Gap 4

1	18X82x8		A20017.01.01	50	500
2	18X86x8	For through traverse	A20017.01.25	50	250
3	18X82x8	2 SASHES	A20017.01.27	50	500
4	19X94X8	For el. mill. rh	A20027.01.01	250	250
	19X94X8	For el. mill. lh	A20027.01.02	250	250
	17x104x9	All. thres. 2,5x7	A38010.05.99	50	250



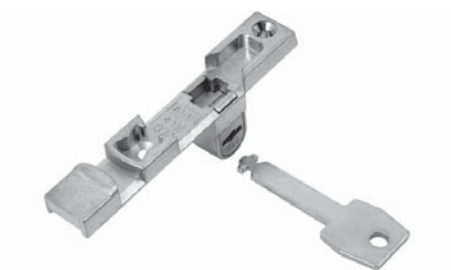
Gap 11

8+6 groove	17X108,5X7,5		A20017.03.01	50	250
8+7 groove	17X108,5X8		A20017.04.01	50	250



Gap 12

with plain base	17x104x9		A38010.05.01	50	250
all. threshold 2x2	17x10x9		A38010.05.44	50	50



With key lock

gap 4			A20017.01.14	20	200
gap 11/12	18X104X8		A20017.06.14	20	200



Pvc

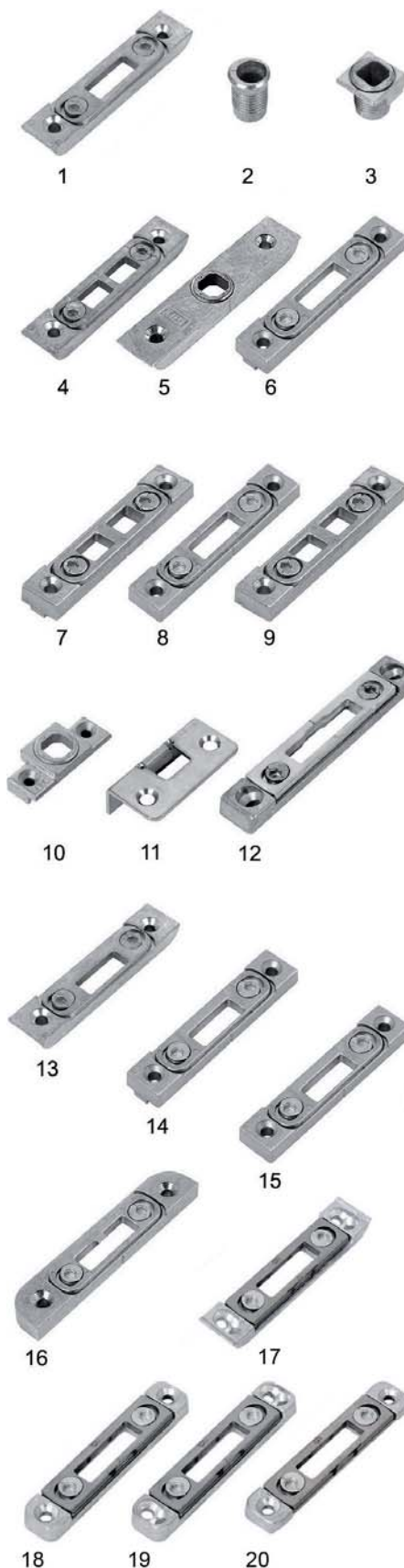
See system documentation			Axxxxx.xx.01	20	20
--------------------------	--	--	--------------	----	----



Strikers for shootbolt throw



Adjustable for shoot bolts



gap 4	1**	18X82x8	1 hole	A20017.01.04	50	500	
	1	16X82X8	1 hole	A20017.01.06	50	500	
	1	14,5X82X8	1 hole	A20017.01.08	50	500	
	4**	18X82x8	2 holes	A20017.01.05	50	500	
	4	16X82X8	2 holes	A20017.01.07	50	500	
	4	14,5X82X8	2 holes	A20017.01.09	50	500	
	4	18X82x8	2screws int.62	A20017.01.21	50	500	
	5	18X82x8	with bushing	A20026.01.26	50	500	
	2	16,5X20	bush 14x20	A20026.01.06	50	1000	
	13*	18X82x8	1 hole	A20017.01.35	50	500	
	2	15,5X22	Tradit.	A20026.01.01	50	1000	
	gap 11/12	6	17X82X6,6	gro. 8+6	A20017.03.04	50	500
		6	17X82X6,6	groove 8+7	A20017.04.04	50	500
7		17X82X6,6	2hol. gr. 8+6	A20017.03.05	50	500	
7		17X82X6,6	2hol gr. 8+7	A20017.04.05	50	500	
8**		17X82X6,6	1 hole	A20017.06.04	50	500	
8		16X82X6,6	1 hole	A20017.06.06	50	500	
8		14,5X82X6,6	1 hole	A20017.06.08	50	500	
9**		17X82X6,6	2 holes	A20017.06.05	50	500	
9		16X82X6,6	2 holes	A20017.06.07	50	500	
9		14,5X82X6,6	2 holes	A20017.06.09	50	500	
11		25X50X2	marble thresh.	A20017.00.19	50	500	
gap 11 (8+7)	14*	17X82X6,6	1 hole	A20017.04.35	50	500	
gap 4/11/12	3	19,5X19	Alu sill	A20026.01.07	50	500	
gap 12	8**	17X82X7,8	1 hole	A20017.05.04	50	500	
	9	17X82X7,8	Vivaldi	A38010.05.36	☎	50 500	
	9**	17X82X7,8	2 holes	A20017.05.05	50	500	
	9		Vivaldi	A38010.05.28	☎	50 500	
	15*	17X82X7,8	1 hole	A20017.05.35	50	500	
Pvc	7		2 holes	Axxxxx.xx.05	☎	1 1	
	10		with bush	Axxxxx.xx.23	☎	1 1	

*To be used with 8+6 e 8+7 euronut groove

** stock exhaustion

FOR MILLING MACHINES

gap 4	16	19X94X8	1 h 8x23	A20027.01.13	50	250
-------	----	---------	----------	--------------	----	-----

Adjustable for shoot bolts with steel plate

gap 4	17*	18X82X8	1 hole	● A38010.01.54	50	500
	1	18X82x8	1 hole	F01697.01.13	50	500
gap 12	20*	17X82X7	1 hole	● A38010.05.57	50	500
	19*	17X82X8	1 hole	● A38010.05.55	50	500
	18*	17X82X8	1 hole	● A38010.05.56	50	500
	12	17X102X8	1 hole	A01697.06.13	50	250

*Available from April 2010



Strikers for supplementary stay arms for arched windows



Gap 4

18X82x8	A20017.01.17	50	500
---------	--------------	----	-----

Gap 11

8+6 groove	17X95X7,5	A20017.03.17	50	500
8+7 groove	17X95X7,5	A20017.04.17	50	500

Gap 12

17X86X8	A20017.05.17	50	500
---------	--------------	----	-----

Lift strikers for arched and angled windows



Gap 4 adjustable striker for lifting wedge

18X82x8	A38010.01.38	20	20
---------	--------------	----	----



Gap 12 adjustable striker for lifting wedge

18X46X6,5	A38010.05.38	20	20
-----------	--------------	----	----



Gap 11 adjustable striker for lifting wedge

(8+6)/(8+7)	18X46X6,5	A38010.11.38	20	20
-------------	-----------	--------------	----	----



Sash catchers



Gap 4

18X82x8	A20017.01.18	50	300
---------	--------------	----	-----



Gap 11/12

18X84X9,5	A20017.06.18	50	300
-----------	--------------	----	-----



Cam for sash catchers for 16/12 eurogroove

16X16	A20047.07.01	50	500
-------	--------------	----	-----



Pvc

	A20017.xx.18	50	300
--	--------------	----	-----



Anti-burglar Tilt & Turn



Anti-burglar Espagnolettes

	SRH	GR	Cam Handle				
Backset 15	370-550	0	1 170	A30119.15.00	10	10	
	490-600	1	1 170	A30119.15.01	10	10	
	600-800	2	1 280	A30119.15.02	10	10	
	800-1000	3	2 400	A30119.15.03	10	10	
	1000-1200	4	2 500	A30119.15.04	10	10	
	1200-1400	5	2 500	A30119.15.05	10	10	
	1400-1600	6	2 500	A30119.15.06	10	10	
	1600-1800	7	2 500	A30119.15.07	10	10	
	1800-2000	8	3 1050	A30119.15.08	10	10	
	2000-2200	9	3 1050	A30119.15.09	10	10	
	2200-2400	10	3 1050	A30119.15.10	10	10	



Anti-burglar Tilt & Turn



Anti-burglar Espagnolettes with tilt lock

	SRH	GR	Cam	Handle				
Backset 15	1000-1200	4	1	500	A30113.15.04		10	10
	1200-1400	5	1	500	A30113.15.05		10	10
	1400-1600	6	1	500	A30113.15.06		10	10
	1600-1800	7	1	500	A30113.15.07		10	10
	1800-2000	8	2	1050	A30113.15.08		5	5
	2000-2200	9	2	1050	A30113.15.09		5	5
	2200-2400	10	2	1050	A30113.15.10		5	5



Anti-burglar Tilt & Turn



Anti-burglar Espagnolettes with cylinder

	SRH	GR	Cam	Handle			
Backset 40	1800-2000	8	3	1050	A30121.40.08	10	10
	2000-2200	9	3	1050	A30121.40.09	10	10
	2200-2400	10	3	1050	A30121.40.10	10	10



Handle shield

	A20050.00.02	10	100
--	--------------	----	-----





Anti-burglar Tilt & Turn



Extensions with mushroom cam, 16+16 stroke

	L	Cam			
GR 2	400	1	A30909.00.02	20	20
GR 3	600	1	A30909.00.03	20	20



Terminal with mushroom cam

	Cam			
with 16+16 mm stroke	1	A30901.00.01	20	20
with 16 mm stroke	1	A30901.00.03	20	20

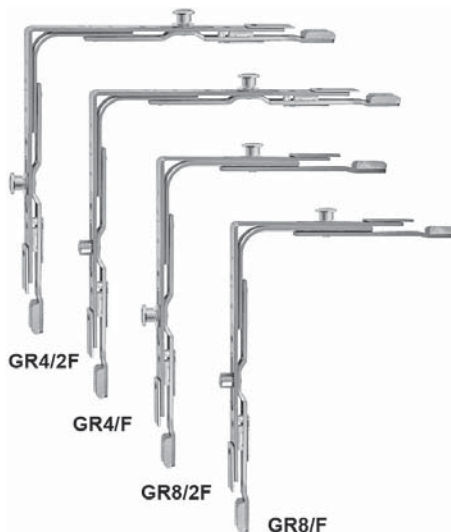


Anti-burglar Tilt & Turn



Anti-burglar corner drives for rectangular windows

	SRW	SRH		Cam			
GR 1/F	280-410	435-2400	1/2 SASHES	1	A31020.00.01	20	20
GR 2/F	410-1660	350-1600	1/2 SASHES	1	A21009.00.02	20	20
GR 4/2F	410-1660	435-2400	1/2 SASH	2	A21009.00.04	20	20
GR 4/F	410-1660	435-2400	2 SASHES	2	A21009.00.11	20	20
GR 5/F	410-1660	435-2400	1/2 sashes	1	A36910.00.02	20	20
GR 8/2F	350-1600	435-2400	1/2 SASH	2	A21009.00.08	20	20
GR 8/F	350-1600	435-2400	2 SASH	2	A21009.00.10	20	20



Anti-burglar corner drive for angled windows

	SRW	SRH		Cam		
GR 4	410-1660	435-2400		2	A31120.00.04	20 20



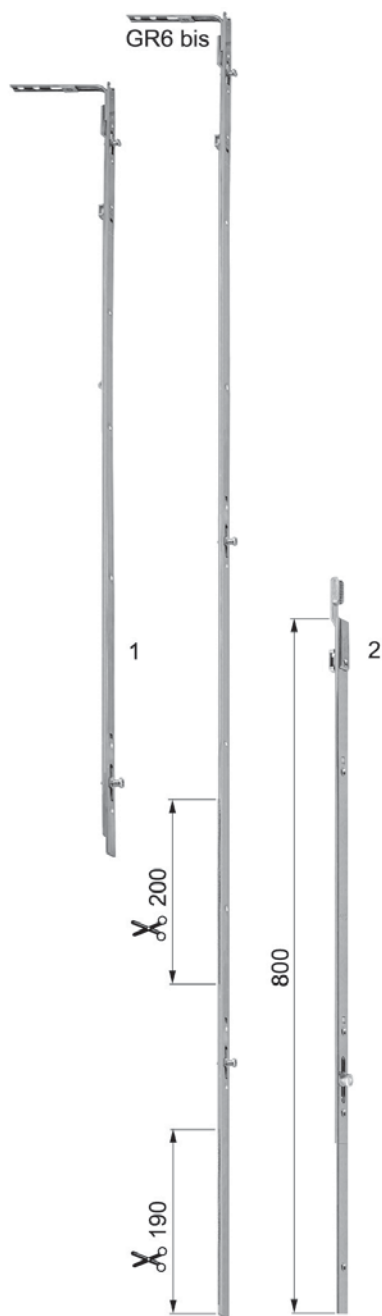
Anti-burglar - Stay arm

	SRW		Cam		
	800-1000	GR 4	1	A32032.00.04	10 10
	1000-1200	GR 5	1	A32032.00.05	10 10
	1200-1400	GR 6	1	A32032.00.06	10 10
	1400-1600	GR 7	1	A32032.00.07	10 10





Anti-burglar Tilt & Turn



Anti-burglar central locks

1	SRH	GR	Cam			
	285-550	GR 1	1	A35012.00.01	10	10
	551-800	GR 2	2	A35012.00.02	10	10
	801-1000	GR 3	2	A35012.00.03	10	10
	1001-1200	GR 4	2	A35012.00.04	10	10
	1201-1400	GR 5	2	A35012.00.05	10	10
	1401-2050	GR 6	3	A35012.00.06	10	10
	2051-2400	GR 6bis*	3	A35013.00.06	10	10

*In order to cover the application field indicated, use terminal element A30901.00.02

NB: for the application ranges according to EN1627 regulation please refer to technical catalog

Extension with mushroom cam

2	Cam					
	1	A30901.00.02	☎	20	20	7,065 F2



Anti-burglar Tilt & central lock

	SRW	GR	Cam			
	325-550	GR 1	1	A35023.00.01	10	10
	551-800	GR 2	2	A35023.00.02	10	10
	801-1000	GR 3	2	A35023.00.03	☎	10 10
	1001-1200	GR 4	2	A35023.00.04	☎	10 10
	1201-1400	GR 5	2	A35023.00.05	☎	10 10
	1401-1600	GR 6	2	A35023.00.06	☎	10 10



Anti-burglar Tilt & Turn

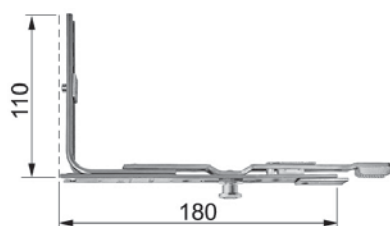


Anti-burglar corner drives for arched and angled windows

	1	SRW	SRH	Cam			
GR 3/F	811-1030	911-1130		1	A31220.00.03	☎	5 5
GR 4/F	1031-1250	1131-1350		1	A31220.00.04	☎	5 5

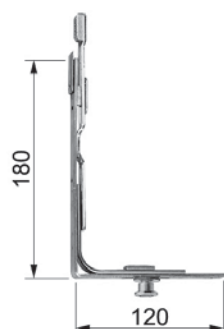
Lifting wedge and screw

2					A31901.00.00		20 20
---	--	--	--	--	--------------	--	-------



Anti-burglar connecting drive

	Cam		
GR 2/F	1	A20057.00.02	☎ 5 5



Corner lock with mushroom cam

	Cam		
GR 4/F	1	A20007.00.04	20 20



Anti-burglar Tilt & Turn



Anti-burglar extensible bolt for 16/12 eurogroove

SRH	GR	Cam			
600-800	2		A36112.00.02	20	20
801-1000	3	1	A36112.00.03	20	20
1001-1200	4	1	A36112.00.04	20	20
1201-1400	5	1	A36112.00.05	20	20
1401-1600	6	1	A36112.00.06	20	20
1601-1800	7	1	A36112.00.07	20	20
1901-2000	8	2	A36112.00.08	10	10
2001-2200	9	2	A36112.00.09	10	10
2201-2400	10	2	A36112.00.10	10	10

Mushroom striker for 16/12 anti-burglar bolt

1	A36911.00.00	50	500
---	--------------	----	-----

Security lever block for 16/12 anti-burglar bolt

2	A36912.00.00	20	200
---	--------------	----	-----

Anti-burglar corner drive for 16/12 extensible bolt

3	SRW	SRH	Cam			
GR 5/F	410-1660	435-2400	1/2	1	A36910.00.02	20 20

Sash catcher for 16/12 extensible bolt

4	gap 11/12	18X84X9,5	A20017.06.18	50	300
---	-----------	-----------	--------------	----	-----

DSS striker for 16/12 extensible bolt

5	18X64X8	A38010.09.03	50	500
---	---------	--------------	----	-----

Shoot bolt

6	11 mm throw	Length 120	A00487.00.02	20	200
		Length 180	A00487.00.01	20	200

Shoot bolt with cam striker

7	11 mm throw	A20035.00.01	20	20
---	-------------	--------------	----	----

Extension for 16/12 bolt with cam striker

8	Lenght 400	A36906.00.02	20	20
---	------------	--------------	----	----





Anti-burglar Tilt & Turn



Concealed beak, gap 4

A34806.01.00		20	20
--------------	--	----	----

Concealed beak, gap 11

8 + 6	A34806.03.00	20	20
8 + 7	A34806.04.00	20	20

Concealed beak, gap 12

A34806.05.00	20	20
--------------	----	----



Anti-burglar strikers



Mushroom striker, gap 4

ZAMAK

rh	18X82x8	A20017.01.13	50	500
lh	18X86x8	A20018.01.13	50	500



Tilt striker, gap 4

ZAMAK

A38010.01.40 20 200

To be used with fasteners A35012.00.xx on lower traverse for tilt movement



Mushroom striker, gap 11

ZAMAK

	8+6 groove	A20017.03.13	50	500
	8+7 groove	A20017.04.13	50	500



Mushroom striker, gap 12

	gap 12	A38013.05.22	50	250
--	--------	--------------	----	-----



Mushroom striker, PVC

STEEL

A38013.xx.22 50 500



Mushroom striker 16/12

STEEL

A38013.19.22 50 250

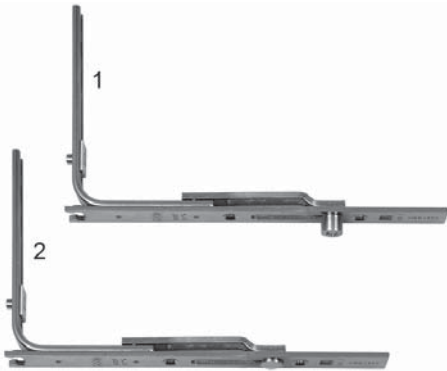


Magnétique: magnetic contacts for control and alarm systems



Corner lock with standard magnetic cam

1 WITH STANDARD CAM						
ø 10x8	GR1	Bichromated	A35015.00.01	1	10	
2 WITH FLAT CAM FOR ALU SILL						
	GR1	Bichromated	A35015.00.02	1	10	



Cam striker with double reed - gap 4 - 3 m cable

18x82x8						
		Bichromated	A38010.01.45	1	10	
NB: drill with ø 8,1 pin						
Attention! Only for alarm systems						
for different use please contact AGB staff						



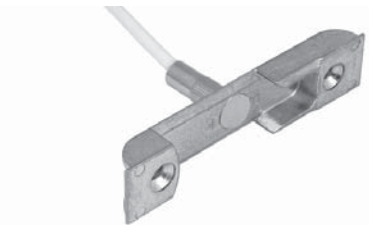
Cam striker with double reed - gap 12 - 3 m cable

18x82x8						
		Bichromated	A38010.06.45	1	10	
NB: drill with ø 8,1 pin						
Attention! Only for alarm systems						
for different use please contact AGB staff						



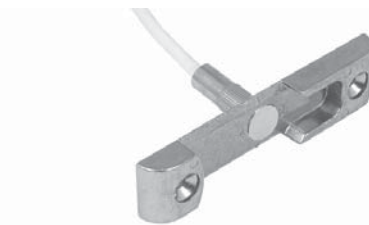
Cam striker with single reed- gap 4 - 3 m cable

18x82x8						
		Bichromated	A38010.01.46	1	10	
NB: drill with ø 8,1 pin						
Attention! Only for alarm systems						
for different use please contact AGB staff						



Cam striker with single reed - gap 12 - 3 m cable

18x82x8						
		Bichromated	A38010.06.46	1	10	
NB: drill with ø 8,1 pin						
Attention! Only for alarm systems						
for different use please contact AGB staff						





TOUR Components

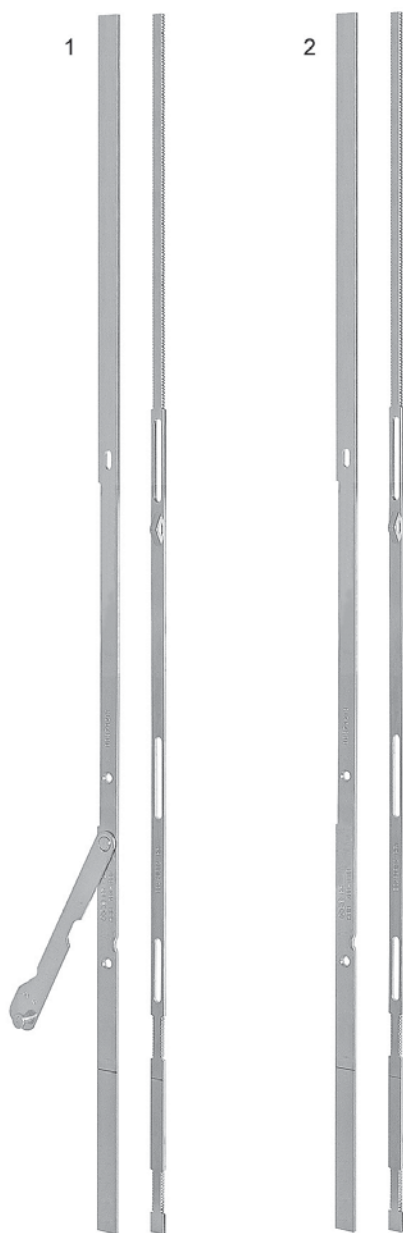


Horizontal element kit (stock exhaustion)

GR	SRW	L	Trim	Cam			
1	530-650	290	60	-	T17501.00.01	1	1
2	640-800	440	80	-	T17501.00.02	1	1
3	801-1200	840	200	1	T17501.00.03	1	1
4	1201-1600	1240	200	1	T17501.00.04	1	1
5	1601-2000	1640	200	1	T17501.00.05	1	1
6	2001-2400	2040	200	2	T17501.00.06	1	1



TOUR Components

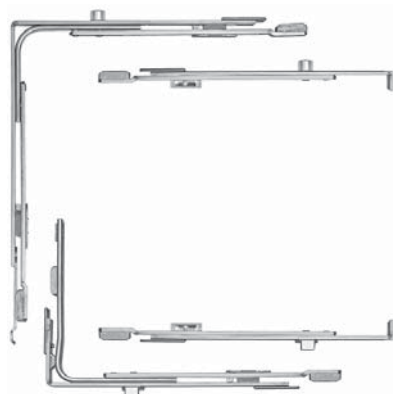


1 - Vertical connecting rod with arm

GR	SRH	L	Cam			
1	rh	800-1000	770	1	T16001.01.01	1 10
	lh	800-1000	770	1	T16001.02.01	1 10
2	rh	1001-1400	1040	1	T16001.01.02	1 10
	lh	1001-1400	1040	1	T16001.02.02	1 10
3	rh	1401-1800	1440	1	T16001.01.03	1 10
	lh	1401-1800	1440	1	T16001.02.03	1 10
4	rh	1801-2400	2040	1	T16001.01.04	1 10
	lh	1801-2400	2040	1	T16001.02.04	1 10

2 - Vertical connecting rod without arm

GR	SRH	L	Cam			
1	rh	600-1000	770	1	T16000.01.01	1 1
	lh	600-1000	770	1	T16000.02.01	1 1



Corner drives Kit

Surface < 2 sm - hardware on 3 sides

SRH>600<800	T18100.03.00	1	1
SRH>801<1000	T18101.03.00	1	1
SRH>1001	T18102.03.00	1	1

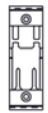


































Corner drives Kit

Surface > 2 sm - hardware on 4 sides

HBB<800	T18100.04.00	1	1
SRH<1000	T18101.04.00	1	1
SRH>1001	T18102.04.00	1	1



TOUR Strikers - Components for strikers kits

Kit incontri	TOUR-30 schema 1 listello 30, asse 15		TOUR-30 schema 2 listello 30, asse 15		TOUR-35 schema 3 listello 35, asse 17,5		TOUR-35 schema 4 listello 35, asse 20		TOUR-40 schema 5 listello 40, asse 20	
	Superficie < 2 m ² T47701.01.00	Superficie > 2 m ² T47702.01.00	Superficie < 2 m ² T47701.02.00	Superficie > 2 m ² T47702.02.00	Superficie < 2 m ² T47701.03.00	Superficie > 2 m ² T47702.03.00	Superficie < 2 m ² T47701.04.00	Superficie > 2 m ² T47702.04.00	Superficie < 2 m ² T47701.05.00	Superficie > 2 m ² T47702.05.00
Incontri superiori	 x 3 T44030.15.02	 x 4 T44030.15.02	 x 3 T44025.15.01	 x 4 T44025.15.01	 x 3 T44035.17.02	 x 4 T44035.17.02	 x 3 T44030.20.01	 x 4 T44030.20.01	 x 3 T44030.20.01	 x 4 T44030.20.01
Incontri inferiori	 x 3 T44030.15.02	 x 4 T44030.15.02	 x 3 T44035.15.02	 x 4 T44035.15.02	 x 3 T44035.17.02	 x 4 T44035.17.02	 x 3 T44040.20.02	 x 4 T44040.20.02	 x 3 T44045.20.02	 x 4 T44045.20.02
Incontri limitatori	 x 1 T44130.15.04 Sx	 x 1 T44130.15.04 Sx  x 1 T44130.15.03 Dx	 x 1 T44130.15.04 Sx	 x 1 T44130.15.04 Sx  x 1 T44130.15.03 Dx	 x 1 T44135.20.04 Sx	 x 1 T44135.20.04 Sx  x 1 T44135.20.03 Dx	 x 1 T44135.20.04 Sx	 x 1 T44135.20.04 Sx  x 1 T44135.20.03 Dx	 x 1 T44140.20.04 Sx	 x 1 T44140.20.04 Sx  x 1 T44140.20.03 Dx

Strikers Kits

TOUR 30 - layout 1

Surface < 2 sm 3 sides	T17701.01.00	1	10
Surface > 2 sm 4 sides	T17702.01.00	1	10

TOUR 30 - layout 2

Surface < 2 sm 3 sides	T17701.02.00	1	10
Surface > 2 sm 4 sides	T17702.02.00	1	10

TOUR 35 - layout 3

Surface < 2 sm 3 sides	T17701.03.00	1	10
Surface > 2 sm 4 sides	T17702.03.00	1	10

TOUR 35 - layout 4

Surface < 2 sm 3 sides	T17701.04.00	1	10
Surface > 2 sm 4 sides	T17702.04.00	1	10

TOUR 40 - layout 5

Surface < 2 sm 3 sides	T17701.05.00	1	10
Surface > 2 sm 4 sides	T17702.05.00	1	10



TOUR Strikers



Cam

Rebate 25	Axis 15	T14025.15.01	1	20
Rebate 30	Axis 20	T14030.20.01	1	20



Cam / Microventilation

Rebate 30	Axis 15	T14030.15.02	1	20
Rebate 35	Axis 15	T14035.15.02	1	20
Rebate 35	Axis 17,5	T14035.17.02	1	20
Rebate 40	Axis 20	T14040.20.02	1	20
Rebate 45	Axis 20	T14045.20.02	1	20



Opening limiter

Rebate 30	Axis 15	rh	T14130.15.03	1	20
	Axis 15	lh	T14130.15.04	1	20
Rebate 35	Axis 20	rh	T14135.20.03	1	20
	Axis 20	lh	T14135.20.04	1	20
Rebate 40	Axis 20	rh	T14140.20.03	1	20
	Axis 20	rh	T14140.20.04	1	20



TOUR R Components



Espagnolette backset 30

GR	SHW	L	Trim	Cam			
1	500-820	1330	300	1	T13201.30.01	1	10
2	821-1140	1832	300	2	T13201.30.02	1	10
3	1141-1460	2334	300	2	T13201.30.03	1	10
4	1461-1780	2836	300	2	T13201.30.04	1	10



Top lock

GR	SRW	L	Trim	Cam			
1	500-820	1330	250	1	T15503.00.01	1	10
2	821-1140	1832	250	2	T15503.00.02	1	10
3	1141-1460	2334	250	2	T15503.00.03	1	10
4	1461-1780	2836	250	2	T15503.00.04	1	10





TOUR R Components



Espagnolette extension



SRW	L			
1781-2100	300	T15603.00.00	1	10

Covering extension



SRW	L			
1780-2100	300	T15603.03.00	1	10

End filler



		T15903.00.00	1	20
--	--	--------------	---	----

NB: 2 pcs. are included in the hinges package

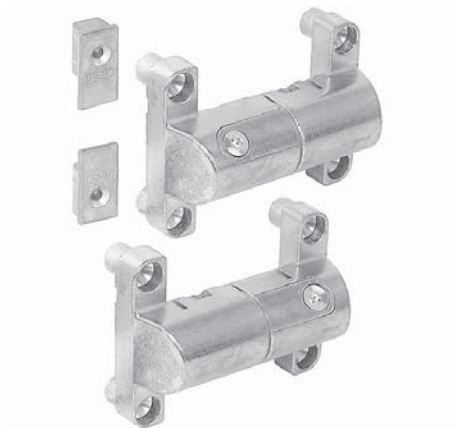


TOUR R Components



Connecting element

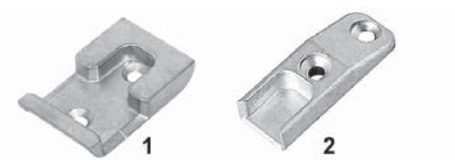
T15703.30.00	1	10
--------------	---	----



Hinges Kit

T17801.00.00	1	1
--------------	---	---

TOUR R Strikers



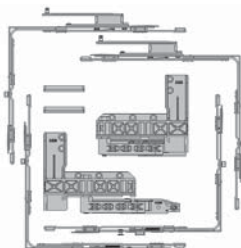
Cam

Ref.

1	gap 4	stock exhaustion	T14330.15.01	1	20
2	gap 12	Flat base	A38010.05.02	50	500

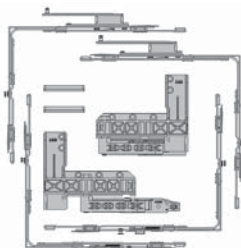


Basic kit



Bogies and corner drives kit

Axis 9	rh	M02021.08.01	1	1
	lh	M02021.08.02	1	1
Axis 13	rh	M02021.10.01	1	1
	lh	M02021.10.02	1	1



Antiburglar bogies and corner drives kit

Axis 9	rh	M02221.08.01	1	1
	lh	M02221.08.02	1	1
Axis 13	rh	M02221.10.01	1	1
	lh	M02221.10.02	1	1



Horizontal connectors kit

	SRH	L	Cam		
GR 0	720-1035	415		M02023.00.00	1 1
GR 1	1036-1260	640	1+1	M02023.00.01	1 1
GR 2	1261-1510	890	1+1	M02023.00.02	1 1
GR 3	1511-1760	1140	1+1	M02023.00.03	1 1



Espagnolette and vertical connector kit

SRH	H	H han.	GR	Cam		
835-1160	640	400	1		M02024.00.01	1 1
1161-1410	890	500	2	1+1	M02024.00.02	1 1
1411-1660	1140	500	3	1+1	M02024.00.03	1 1
1661-1910	1390	500	4	1+1	M02024.00.04	1 1
1745-1995	1476	1050	5	2+2	M02024.00.05	1 1
1900-2150	1630	1050	6	2+2	M02024.00.06	1 1
2151-2400	1880	1050	7	2+2	M02024.00.07	1 1

* Handle height 400 - 450 and 500 mm depending on the trimming



Components

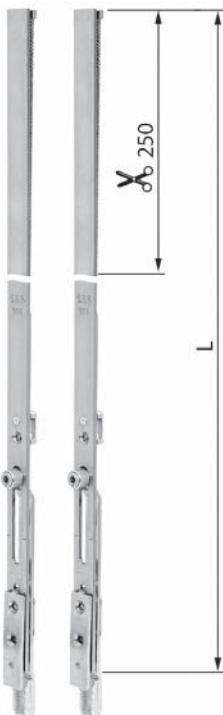


Galileo lock and vertical connector kit

	SRH	GR	Cam			
Backset 30	1745-1995	5	2	M02027.30.05	1	1
	1900-2150	6	2	M02027.30.06	1	1
	2150-2400	7	2	M02027.30.07	1	1
Backset 40	1660-1910	4	1	M02027.40.04	1	1
	1745-1995	5	2	M02027.40.05	1	1
	1900-2150	6	2	M02027.40.06	1	1
	2150-2400	7	2	M02027.40.07	1	1

Extension kit (stock exhaustion)

In pairs	Length 500	M02026.00.00	1	1
----------	------------	--------------	---	---





Components



Extensible shootbolt espagnolette for side sash

1	SRH	GR	H handle		
Backset 15	800-1000	3	400	A01488.15.03	1 1
	1001-1200	4	500	A01488.15.04	1 1
	1201-1400	5	500	A01488.15.05	1 1
	1401-1600	6	500	A01488.15.06	1 1
	1601-1800	7	500	A01488.15.07	1 1
	1801-2000	8	1050	A01488.15.08	1 1
	2001-2200	9	1050	A01488.15.09	1 1
	2201-2400	10	1050	A01488.15.10	1 1
	2401-2600	11	1050	A01488.15.11	1 1

Upper shoot bolt

2				
15 mm throw	Length 120	A00486.00.02	20	200
	Length 180	A00486.00.01	20	200

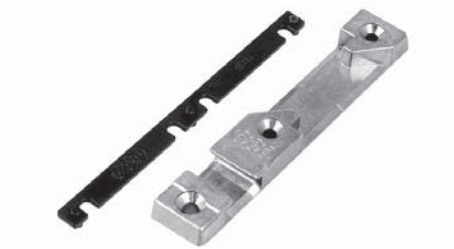


Components



Tilt lock striker - gap 4

18X111X8	rh	M02008.01.01	20	20
	lh	M02009.01.01	20	20



Tilt lock striker - gap 11

17X109X9	rh appl. with shims	M02008.04.01	20	20
	lh appl. with shims	M02009.04.01	20	20



Tilt lock striker - gap 12

17X109X9	rh	M02008.05.01	20	20
	lh	M02009.05.01	20	20



Adapter for tilt striker on PVC profiles

Ask to AGB Sale dept. for availability	M42017.xx.00	☎	50	50
--	--------------	---	----	----



Cam striker, gap 4

18X82x8		M02008.01.02	20	20
---------	--	--------------	----	----



Cam striker, gap 12

17X46X8	Flat base	A38010.05.02	50	500
---------	-----------	--------------	----	-----



Components



Cam striker, gap 11

15X46X8	Groove 8+6	A20017.03.02	50	500
16X46X8	Groove 8+7	A20017.04.02	50	500

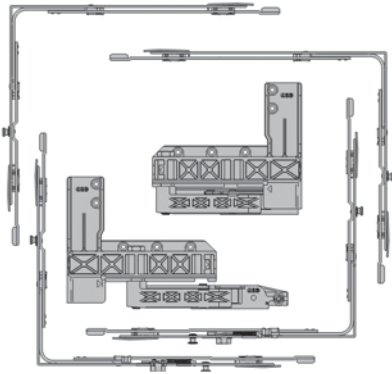


Cam striker, gap 4 surface mounted

18X82x8	surface mounted	A20017.01.10	50	500
---------	-----------------	--------------	----	-----

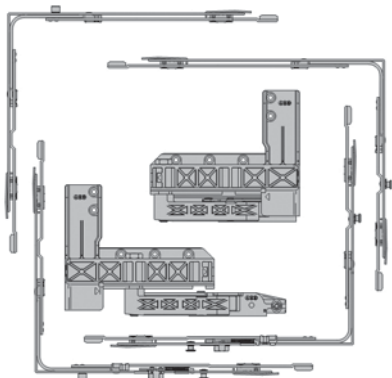


Basic kit



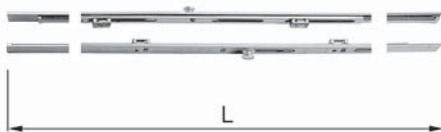
Bogies and corner drives kit

rh	M03021.00.01	1	1
lh	M03021.00.02	1	1



Bogies and corner drives without rear cams kit

rh	M03121.00.01	1	1
lh	M03121.00.02	1	1



Horizontal connectors kit

	SRH	L	Cam		
GR 0	720-1035	415		M03023.00.00	1 1
GR 1	1036-1260	640	1+1	M03023.00.01	1 1
GR 2	1261-1510	890	1+1	M03023.00.02	1 1
GR 3	1511-1760	1140	1+1	M03023.00.03	1 1



Basic kit



Espagnolette & vertical connector kit, backset 15

SRH	H	H han.	GR	Cam			
835-1160	640	400	1		M03024.15.01	1	1
1161-1410	890	500	2	1+1	M03024.15.02	1	1
1411-1660	1140	500	3	1+1	M03024.15.03	1	1
1661-1910	1390	500	4	1+1	M03024.15.04	1	1
1745-1995	1476	1050	5	2+2	M03024.15.05	1	1
1900-2150	1630	1050	6	2+2	M03024.15.06	1	1
2151-2400	1880	1050	7	2+2	M03024.15.07	1	1

* Handle height 400 - 450 and 500 mm depending on the trimming



Basic kit



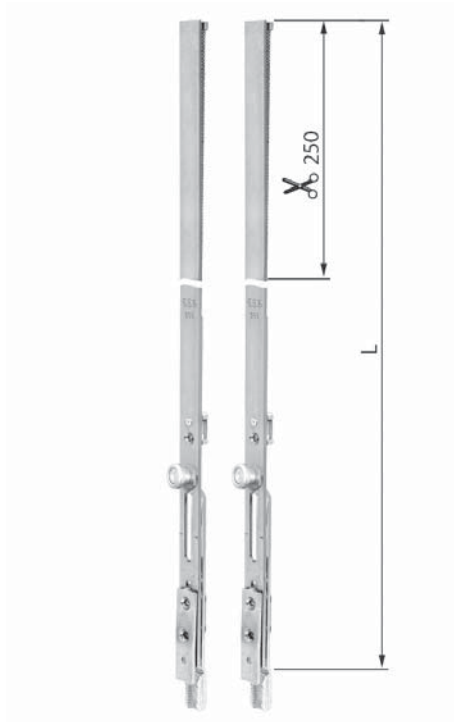
Espagnolette & vertical connector kit, 2nd sash SA

SRH	H	H han.	GR	Cam		
835-1160	640	400	1		M03024.15.01	1 1
1161-1410	890	500	2	0+1	M03124.15.02	1 1
1411-1660	1140	500	3	0+1	M03124.15.03	1 1
1661-1910	1390	500	4	0+1	M03124.15.04	1 1
1745-1995	1476	1050	5	0+2	M03124.15.05	1 1
1900-2150	1630	1050	6	0+2	M03124.15.06	1 1
2151-2400	1880	1050	7	0+2	M03124.15.07	1 1





Components



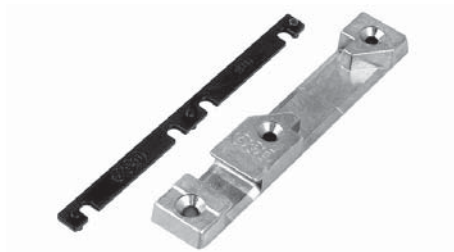
Extension kit

M03026.00.00	1	1
--------------	---	---



Tilt lock striker - gap 4

18X111X8	rh	M02008.01.01	20	20
	lh	M02009.01.01	20	20



Tilt lock striker - gap 11

17X109X9	rh appl. with shims	M02008.04.01	20	20
	lh appl. with shims	M02009.04.01	20	20



Tilt lock striker - gap 12

17X109X9	rh	M02008.05.01	20	20
	lh	M02009.05.01	20	20



Components



Cam striker, gap 4

18X82x8		A20017.01.02	50	500
---------	--	--------------	----	-----



Cam striker, gap 4 surface mounted

18X82x8	surface mounted	A20017.01.10	50	500
---------	-----------------	--------------	----	-----



Mushroom striker, gap 4

rh	18X82x8	A20017.01.13	50	500
lh	18X86x8	A20018.01.13	50	500



Cam striker, gap 11

15X46X8	Groove 8+6	A20017.03.02	50	500
---------	------------	--------------	----	-----

16X46X8	Groove 8+7	A20017.04.02	50	500
---------	------------	--------------	----	-----



Cam striker, gap 12

17X46X8	Flat base	A38010.05.02	50	500
---------	-----------	--------------	----	-----



Mushroom striker, gap 12

	gap 12	A38013.05.22	50	250
--	--------	--------------	----	-----



Components



Anti-burglar Espagnolettes



	SRH	GR	Cam	H handle			
Backset 15	600-800	2	1	280	A30119.15.02	10	10
	800-1000	3	2	400	A30119.15.03	10	10
	1000-1200	4	2	500	A30119.15.04	10	10
	1200-1400	5	2	500	A30119.15.05	10	10
	1400-1600	6	2	500	A30119.15.06	10	10
	1600-1800	7	2	500	A30119.15.07	10	10
	1800-2000	8	3	1050	A30119.15.08	10	10
	2000-2200	9	3	1050	A30119.15.09	10	10
	2200-2400	10	3	1050	A30119.15.10	10	10



DSS - Security and lift device

	A30906.00.01	50	300
--	--------------	----	-----



Components



Anti-burglar Espagnolettes with cylinder

	SRH	GR	Cam	H handle			
Backset 40	1800-2000	8	3	1050	A30121.40.08	10	10
	2000-2200	9	3	1050	A30121.40.09	10	10
	2200-2400	10	3	1050	A30121.40.10	10	10



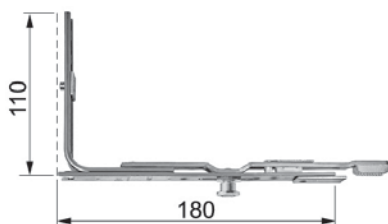


Components



Anti-burglar top corner drive

	SRW	SRH		Cam			
GR 5/F	410-1660	435-2400	1/2 sashes	1	A36910.00.02	20	20



Anti-burglar bottom connecting drive

	Cam		
GR 2/F	1	A20057.00.02	☎ 5 5



Connecting rod (stock exhaustion)

	L	Cam	SRW			
GR 0	395		530-755	A20060.00.00	20	20
GR 1	612	1	756-972	A20060.00.01	20	20
GR 2	862	1	973-1222	A20060.00.02	20	20
GR 3	1112	1	1223-1472	A20060.00.03	20	20
GR 4	1362	2	1473-1722	A20060.00.04	20	20
GR 5	1602	2	1712-1962	A20060.00.05	20	20



Components



Rear vertical connector kit

SRH	H	GR	Cam			
800-1000	820	3	2	M03003.00.03	10	10
1001-1200	1020	4	2	M03003.00.04	10	10
1201-1400	1220	5	2	M03003.00.05	10	10
1401-1600	1420	7	2	M03003.00.06	10	10
1601-1800	1620	7	2	M03003.00.07	10	10
1801-2000	1820	8	3	M03003.00.08	10	10
2001-2200	2020	9	3	M03003.00.09	10	10
2201-2400	2220	10	3	M03003.00.10	10	10



Tilt lock striker - gap 4

18X82x8	A38010.01.40	20	200
---------	--------------	----	-----



Components



Tilt lock striker - gap 12

Flat base	17X80X8,5	A20017.05.32	20	240
-----------	-----------	--------------	----	-----



Cam striker, gap 4

	18X82x8	A20017.01.02	50	500
--	---------	--------------	----	-----



Mushroom striker, gap 4

rh	18X82x8	A20017.01.13	50	500
lh	18X86x8	A20018.01.13	50	500



Cam striker, gap 12

Flat base	17X46X8	A38010.05.02	50	500
-----------	---------	--------------	----	-----



Mushroom striker, gap 12

gap 12	18X74X8,5	A38013.05.22	50	250
--------	-----------	--------------	----	-----



DSS strikers Gap 4

rh	18X82X8	A38011.01.03	50	500
lh	18X82X8	A38012.01.03	50	500



DSS strikers Gap 12

rh	17X46X8	A38011.05.03	50	500
lh	17X46X8	A38012.05.03	50	500

Analytical table of contents

Code  


A00158.00.01	20 20	pag. 587
A00158.00.01	20 20	pag. 580
A00158.00.02	20 20	pag. 580
A00158.00.02	20 20	pag. 587
A00402.08.01	20 20	pag. 578
A00402.08.02	20 20	pag. 578
A00402.08.03	20 20	pag. 578
A00402.08.04	20 20	pag. 578
A00402.08.05	20 20	pag. 578
A00402.08.06	20 20	pag. 578
A00402.08.07	20 20	pag. 578
A00402.08.08	10 10	pag. 578
A00402.08.09	10 10	pag. 578
A00402.08.10	10 10	pag. 578
A00402.08.11	10 10	pag. 578
A00402.15.01	20 20	pag. 578
A00402.15.02	20 20	pag. 578
A00402.15.03	20 20	pag. 578
A00402.15.04	20 20	pag. 578
A00402.15.05	20 20	pag. 578
A00402.15.06	20 20	pag. 578
A00402.15.07	20 20	pag. 578
A00402.15.08	10 10	pag. 578
A00402.15.09	10 10	pag. 578
A00402.15.10	10 10	pag. 578
A00402.15.11	10 10	pag. 578
A00402.25.01	10 10	pag. 578
A00402.25.02	10 10	pag. 578
A00402.25.03	10 10	pag. 578
A00402.25.04	10 10	pag. 578
A00402.25.05	10 10	pag. 578
A00402.25.06	10 10	pag. 578
A00402.25.07	10 10	pag. 578
A00402.25.08	5 5	pag. 578
A00402.25.09	5 5	pag. 578
A00402.25.10	5 5	pag. 578
A00402.25.11	5 5	pag. 578
A00402.40.01	10 10	pag. 578
A00402.40.02	10 10	pag. 578
A00402.40.03	10 10	pag. 578
A00402.40.04	10 10	pag. 578
A00402.40.05	10 10	pag. 578
A00402.40.06	10 10	pag. 578
A00402.40.07	10 10	pag. 578
A00402.40.08	5 5	pag. 578
A00402.40.09	5 5	pag. 578
A00402.40.10	5 5	pag. 578
A00402.40.11	5 5	pag. 578
A00403.00.01	50 1000	pag. 578
A00403.00.01	50 1000	pag. 580
A00403.00.01	50 1000	pag. 581
A00404.15.03	10 10	pag. 581
A00404.15.08	10 10	pag. 581
A00404.25.03	10 10	pag. 581
A00404.25.08	5 5	pag. 581
A00404.40.03	10 10	pag. 581
A00404.40.08	5 5	pag. 581
A00406.15.01	20 20	pag. 580
A00406.15.02	20 20	pag. 580
A00406.15.03	20 20	pag. 580
A00406.15.04	20 20	pag. 580
A00406.15.05	20 20	pag. 580
A00406.15.06	10 10	pag. 580
A00406.25.01	10 10	pag. 580
A00406.25.02	10 10	pag. 580
A00406.25.03	10 10	pag. 580

Code  

A00406.25.04	10 10	pag. 580
A00406.25.05	10 10	pag. 580
A00406.25.06	5 5	pag. 580
A00406.40.01	10 10	pag. 255
A00406.40.01	10 10	pag. 580
A00406.40.02	10 10	pag. 580
A00406.40.03	10 10	pag. 580
A00406.40.04	10 10	pag. 580
A00406.40.05	10 10	pag. 580
A00406.40.06	5 5	pag. 580
A00457.25.09	10 10	pag. 550
A00457.25.10	10 10	pag. 550
A00457.30.09	10 10	pag. 550
A00457.30.10	10 10	pag. 550
A00457.35.09	10 10	pag. 550
A00457.35.10	10 10	pag. 550
A00457.40.09	10 10	pag. 550
A00457.40.10	10 10	pag. 550
A00457.45.09	10 10	pag. 550
A00457.45.10	10 10	pag. 550
A00457.50.09	10 10	pag. 550
A00457.50.10	10 10	pag. 550
A00457.55.09	10 10	pag. 550
A00457.55.10	10 10	pag. 550
A00458.25.09	10 10	pag. 551
A00458.25.10	10 10	pag. 551
A00458.30.09	10 10	pag. 551
A00458.30.10	10 10	pag. 551
A00458.35.09	10 10	pag. 551
A00458.35.10	10 10	pag. 551
A00458.40.09	10 10	pag. 551
A00458.40.10	10 10	pag. 551
A00458.45.09	10 10	pag. 551
A00458.45.10	10 10	pag. 551
A00458.50.09	10 10	pag. 551
A00458.50.10	10 10	pag. 551
A00458.55.09	10 10	pag. 551
A00458.55.10	10 10	pag. 551
A00459.25.09	10 10	pag. 552
A00459.25.10	10 10	pag. 552
A00459.30.09	10 10	pag. 552
A00459.30.10	10 10	pag. 552
A00459.35.09	10 10	pag. 552
A00459.40.09	10 10	pag. 552
A00459.40.10	10 10	pag. 552
A00459.45.10	10 10	pag. 552
A00459.50.09	10 10	pag. 552
A00459.50.10	10 10	pag. 552
A00459.55.09	10 10	pag. 552
A00459.55.10	10 10	pag. 552
A00471.00.01	50 500	pag. 56
A00481.00.01	20 20	pag. 577
A00481.00.02	20 20	pag. 577
A00481.00.03	20 20	pag. 577
A00481.00.04	20 20	pag. 551
A00481.00.04	20 20	pag. 549
A00481.00.04	20 20	pag. 554
A00481.00.04	20 20	pag. 577
A00481.00.04	20 20	pag. 557
A00481.00.04	20 20	pag. 582
A00481.00.05	20 20	pag. 582
A00481.00.13	20 20	pag. 549
A00481.00.13	20 20	pag. 551
A00481.00.13	20 20	pag. 554
A00481.00.13	20 20	pag. 554
A00481.00.13	20 20	pag. 556
A00484.00.01	20 200	pag. 582

Code  

A00485.00.01	20 200	pag. 582
A00486.00.01	20 200	pag. 579
A00486.00.01	20 200	pag. 549
A00486.00.01	20 200	pag. 556
A00486.00.01	20 200	pag. 582
A00486.00.01	20 200	pag. 551
A00486.00.01	20 200	pag. 554
A00486.00.01	20 200	pag. 555
A00486.00.01	20 200	pag. 554
A00486.00.01	20 200	pag. 640
A00486.00.02	20 200	pag. 549
A00486.00.02	20 200	pag. 582
A00486.00.02	20 200	pag. 556
A00486.00.02	20 200	pag. 579
A00486.00.02	20 200	pag. 554
A00486.00.02	20 200	pag. 555
A00486.00.02	20 200	pag. 551
A00486.00.02	20 200	pag. 640
A00487.00.01	20 200	pag. 549
A00487.00.01	20 200	pag. 582
A00487.00.01	20 200	pag. 556
A00487.00.01	20 200	pag. 607
A00487.00.01	20 200	pag. 579
A00487.00.01	20 200	pag. 555
A00487.00.01	20 200	pag. 554
A00487.00.01	20 200	pag. 571
A00487.00.01	20 200	pag. 551
A00487.00.01	20 200	pag. 625
A00487.00.02	20 200	pag. 549
A00487.00.02	20 200	pag. 556
A00487.00.02	20 200	pag. 582
A00487.00.02	20 200	pag. 607
A00487.00.02	20 200	pag. 551
A00487.00.02	20 200	pag. 579
A00487.00.02	20 200	pag. 554
A00487.00.02	20 200	pag. 571
A00487.00.02	20 200	pag. 555
A00487.00.02	20 200	pag. 625
A00488.15.01	20 20	pag. 579
A00488.15.02	20 20	pag. 579
A00488.15.03	20 20	pag. 579
A00488.15.04	20 20	pag. 579
A00488.15.05	20 20	pag. 579
A00488.15.06	20 20	pag. 579
A00488.15.07	20 20	pag. 579
A00488.15.08	10 10	pag. 579
A00488.15.09	10 10	pag. 579
A00488.15.10	10 10	pag. 579
A00488.15.11	10 10	pag. 579
A00488.25.02	10 10	pag. 579
A00488.25.03	10 10	pag. 579
A00488.25.04	10 10	pag. 579
A00488.25.05	10 10	pag. 579
A00488.25.06	10 10	pag. 579
A00488.25.07	10 10	pag. 579
A00488.25.08	5 5	pag. 579
A00488.25.09	5 5	pag. 579
A00488.25.10	5 5	pag. 579
A00488.25.11	5 5	pag. 579
A00488.40.02	10 10	pag. 579
A00488.40.03	10 10	pag. 579
A00488.40.04	10 10	pag. 579
A00488.40.05	10 10	pag. 579
A00488.40.06	10 10	pag. 579
A00488.40.07	10 10	pag. 579
A00488.40.08	5 5	pag. 579
A00488.40.09	5 5	pag. 579

Code 

A00488.40.10	5	5	pag. 579
A00488.40.11	5	5	pag. 579
A00489.15.01	20	20	pag. 579
A00489.15.02	20	20	pag. 579
A00489.15.03	20	20	pag. 579
A00489.15.04	20	20	pag. 579
A00489.15.05	20	20	pag. 579
A00489.15.06	20	20	pag. 579
A00489.15.07	20	20	pag. 579
A00489.15.08	10	10	pag. 579
A00489.15.09	10	10	pag. 579
A00489.15.10	10	10	pag. 579
A00489.15.11	10	10	pag. 579
A01451.01.01	1	1	pag. 228
A01455.25.09	5	5	pag. 551
A01455.30.09	5	5	pag. 551
A01455.35.09	5	5	pag. 551
A01455.35.09.851	5	5	pag. 555
A01455.35.10	5	5	pag. 551
A01455.35.10.851	5	5	pag. 555
A01455.40.09	5	5	pag. 551
A01455.40.10	5	5	pag. 551
A01455.45.09	5	5	pag. 551
A01455.50.09	5	5	pag. 551
A01455.50.10	5	5	pag. 551
A01455.55.09	5	5	pag. 551
A01455.55.10	5	5	pag. 551
A01462.28.09	5	5	pag. 554
A01462.30.09	5	5	pag. 554
A01462.35.09	5	5	pag. 554
A01488.15.03	1	1	pag. 640
A01488.15.04	1	1	pag. 640
A01488.15.05	1	1	pag. 640
A01488.15.06	1	1	pag. 640
A01488.15.07	1	1	pag. 640
A01488.15.08	1	1	pag. 640
A01488.15.09	1	1	pag. 640
A01488.15.10	1	1	pag. 640
A01488.15.11	1	1	pag. 640
A01697.06.13	50	250	pag. 568
A01697.06.13	50	250	pag. 560
A01697.06.13	50	250	pag. 615
A02454.25.09	5	5	pag. 550
A02454.30.09	5	5	pag. 550
A02454.30.10	5	5	pag. 550
A02454.35.09	5	5	pag. 550
A02454.35.10	5	5	pag. 550
A02454.40.10	5	5	pag. 550
A02454.45.09	5	5	pag. 550
A02454.45.10	5	5	pag. 550
A02454.50.10	5	5	pag. 550
A02454.55.09	5	5	pag. 550
A02454.55.10	5	5	pag. 550
A02456.25.09	5	5	pag. 552
A02456.28.09	5	5	pag. 552
A02456.30.09	5	5	pag. 552
A02456.35.09	5	5	pag. 552
A02456.35.10	5	5	pag. 552
A02459.28.09	5	5	pag. 555
A02459.30.09	5	5	pag. 555
A02459.35.09	5	5	pag. 555
A02461.28.09	5	5	pag. 553
A02461.30.09	5	5	pag. 553
A02461.35.09	5	5	pag. 553
A20000.00.01	50	50	pag. 600
A20000.00.02	50	50	pag. 600

Code 

A20000.00.03	50	50	pag. 600
A20000.00.04	50	50	pag. 600
A20001.00.01	50	50	pag. 600
A20001.00.02	50	50	pag. 600
A20001.00.03	50	50	pag. 600
A20001.00.04	50	50	pag. 600
A20007.00.01	20	20	pag. 590
A20007.00.02	20	20	pag. 590
A20007.00.03	20	20	pag. 590
A20007.00.04	20	20	pag. 624
A20009.00.00	20	20	pag. 583
A20009.00.01	20	20	pag. 583
A20009.00.02	20	20	pag. 583
A20009.00.03	20	20	pag. 583
A20009.00.04	20	20	pag. 583
A20009.00.05	20	20	pag. 583
A20009.00.07	20	20	pag. 583
A20009.00.08	20	20	pag. 583
A20009.00.09	20	20	pag. 583
A20012.00.01	20	20	pag. 587
A20013.00.01	10	10	pag. 589
A20013.00.02	10	10	pag. 589
A20013.00.03	10	10	pag. 589
A20013.00.04	10	10	pag. 589
A20014.00.01	10	10	pag. 589
A20014.00.02	10	10	pag. 589
A20014.00.03	10	10	pag. 589
A20014.00.04	10	10	pag. 589
A20017.00.19	50	500	pag. 560
A20017.00.19	50	500	pag. 615
A20017.01.01	50	500	pag. 614
A20017.01.02	50	500	pag. 648
A20017.01.02	50	500	pag. 450
A20017.01.02	50	500	pag. 611
A20017.01.02	50	500	pag. 559
A20017.01.02	50	500	pag. 654
A20017.01.04	50	500	pag. 560
A20017.01.04	50	500	pag. 615
A20017.01.05	50	500	pag. 560
A20017.01.05	50	500	pag. 615
A20017.01.06	50	500	pag. 615
A20017.01.07	50	500	pag. 615
A20017.01.08	50	500	pag. 615
A20017.01.09	50	500	pag. 615
A20017.01.10	50	500	pag. 559
A20017.01.10	50	500	pag. 642
A20017.01.10	50	500	pag. 611
A20017.01.10	50	500	pag. 648
A20017.01.11	50	500	pag. 559
A20017.01.12	50	500	pag. 542
A20017.01.12	50	500	pag. 559
A20017.01.13	50	500	pag. 648
A20017.01.13	50	500	pag. 627
A20017.01.13	50	500	pag. 654
A20017.01.14	20	200	pag. 614
A20017.01.16	50	250	pag. 600
A20017.01.17	50	500	pag. 616
A20017.01.18	50	300	pag. 617
A20017.01.21	50	500	pag. 560
A20017.01.21	50	500	pag. 615
A20017.01.25	50	250	pag. 614
A20017.01.27	50	500	pag. 614
A20017.01.35	50	500	pag. 609
A20017.01.35	50	500	pag. 615
A20017.03.01	50	250	pag. 614
A20017.03.02	50	500	pag. 559

Code 

A20017.03.02	50	500	pag. 611
A20017.03.02	50	500	pag. 642
A20017.03.02	50	500	pag. 648
A20017.03.04	50	500	pag. 560
A20017.03.04	50	500	pag. 615
A20017.03.05	50	500	pag. 560
A20017.03.05	50	500	pag. 615
A20017.03.11	50	500	pag. 559
A20017.03.12	50	500	pag. 559
A20017.03.13	50	500	pag. 542
A20017.03.13	50	500	pag. 627
A20017.03.17	50	500	pag. 616
A20017.04.01	50	250	pag. 614
A20017.04.02	50	500	pag. 611
A20017.04.02	50	500	pag. 559
A20017.04.02	50	500	pag. 642
A20017.04.02	50	500	pag. 648
A20017.04.04	50	500	pag. 560
A20017.04.04	50	500	pag. 615
A20017.04.05	50	500	pag. 560
A20017.04.05	50	500	pag. 615
A20017.04.11	50	500	pag. 559
A20017.04.12	50	500	pag. 559
A20017.04.13	50	500	pag. 542
A20017.04.13	50	500	pag. 627
A20017.04.17	50	500	pag. 616
A20017.04.35	50	500	pag. 609
A20017.04.35	50	500	pag. 615
A20017.05.04	50	500	pag. 560
A20017.05.04	50	500	pag. 615
A20017.05.05	50	500	pag. 560
A20017.05.05	50	500	pag. 615
A20017.05.12	50	500	pag. 559
A20017.05.17	50	500	pag. 616
A20017.05.32	20	240	pag. 654
A20017.05.35	50	500	pag. 609
A20017.05.35	50	500	pag. 615
A20017.06.04	50	500	pag. 615
A20017.06.05	50	500	pag. 560
A20017.06.05	50	500	pag. 615
A20017.06.06	50	500	pag. 615
A20017.06.07	50	500	pag. 615
A20017.06.08	50	500	pag. 615
A20017.06.09	50	500	pag. 615
A20017.06.14	20	200	pag. 614
A20017.06.16	50	250	pag. 600
A20017.06.18	50	300	pag. 607
A20017.06.18	50	300	pag. 617
A20017.06.18	50	300	pag. 625
A20017.20.11	50	250	pag. 559
A20017.25.32	50	50	pag. 559
A20017.25.32	50	50	pag. 611
A20017.25.33	50	1000	pag. 600
A20017.xx.12	50	500	pag. 542
A20017.xx.12	50	500	pag. 559
A20017.xx.18	50	300	pag. 617
A20017.xx.22	50	200	pag. 542
A20017.xx.22	50	200	pag. 559
A20017.xx.30	50	200	pag. 543
A20017.xx.31	50	200	pag. 543
A20018.01.13	50	500	pag. 648
A20018.01.13	50	500	pag. 627
A20018.01.13	50	500	pag. 654
A20019.00.01	50	50	pag. 271
A20019.00.01	50	50	pag. 284
A20019.00.06	20	20	pag. 577

Code  


A20019.00.10 100 100 pag. 273
A20019.00.10 100 100 pag. 597
A20020.00.01 20 20 pag. 577
A20020.00.02 20 20 pag. 577
A20020.00.03 20 20 pag. 577
A20022.00.02 20 20 pag. 584
A20022.00.04 20 20 pag. 584
A20023.00.01 10 10 pag. 589
A20023.00.02 10 10 pag. 589
A20023.00.03 10 10 pag. 589
A20023.00.04 10 10 pag. 589
A20025.00.00 10 10 pag. 587
A20025.00.01 10 10 pag. 587
A20025.00.02 10 10 pag. 587
A20026.01.01 50 1000 pag. 615
A20026.01.06 50 1000 pag. 560
A20026.01.06 50 1000 pag. 615
A20026.01.07 50 500 pag. 560
A20026.01.07 50 500 pag. 615
A20026.01.10 50 500 pag. 611
A20026.01.11 50 500 pag. 611
A20026.01.26 50 500 pag. 560
A20026.01.26 50 500 pag. 615
A20027.01.01 250 250 pag. 614
A20027.01.02 250 250 pag. 614
A20027.01.06 250 250 pag. 559
A20027.01.06 250 250 pag. 611
A20027.01.08 250 250 pag. 611
A20027.01.09 250 250 pag. 611
A20027.01.10 50 500 pag. 611
A20027.01.11 250 250 pag. 559
A20027.01.13 50 250 pag. 560
A20027.01.13 50 250 pag. 615
A20028.01.01 20 20 pag. 601
A20028.01.02 20 20 pag. 601
A20028.06.01 20 200 pag. 601
A20029.01.06 50 50 pag. 280
A20029.01.21 50 50 pag. 280
A20029.01.50 50 50 pag. 280
A20029.01.91 50 50 pag. 280
A20029.01.94 50 50 pag. 280
A20029.02.06 50 50 pag. 280
A20029.02.21 50 50 pag. 280
A20029.02.50 50 50 pag. 280
A20029.02.91 50 50 pag. 280
A20029.02.94 50 50 pag. 280
A20029.03.06 50 50 pag. 280
A20029.03.21 50 50 pag. 280
A20029.03.50 50 50 pag. 280
A20029.03.91 50 50 pag. 280
A20029.03.94 50 50 pag. 280
A20029.04.06 50 50 pag. 280
A20029.04.21 50 50 pag. 280
A20029.04.50 50 50 pag. 280
A20029.04.91 50 50 pag. 280
A20029.04.94 50 50 pag. 280
A20029.05.06 50 500 pag. 282
A20029.05.14 50 500 pag. 282
A20029.05.21 50 500 pag. 282
A20029.05.50 50 500 pag. 282
A20029.05.91 50 500 pag. 282
A20029.05.94 50 500 pag. 282
A20030.00.00 1 1 pag. 433
A20030.00.01 1 1 pag. 306
A20030.00.03 1 1 pag. 313
A20030.00.03.701 1 1 pag. 313

Code  

A20030.00.04 1 1 pag. 313
A20030.00.05 1 1 pag. 313
A20030.01.01 1 1 pag. 314
A20030.01.01 1 1 pag. 432
A20030.01.02 1 1 pag. 314
A20030.01.03 1 1 pag. 214
A20030.01.03 1 1 pag. 230
A20030.01.03 1 1 pag. 314
A20030.01.04 1 1 pag. 161
A20030.01.04 1 1 pag. 315
A20030.01.12 1 1 pag. 307
A20030.01.13 1 1 pag. 307
A20030.01.14 1 1 pag. 307
A20030.01.15 1 1 pag. 307
A20030.01.17 1 1 pag. 311
A20030.01.18 1 1 pag. 312
A20030.01.19 1 1 pag. 312
A20030.01.24 1 1 pag. 213
A20030.01.24 1 1 pag. 230
A20030.01.24 1 1 pag. 315
A20030.01.24 1 1 pag. 313
A20030.01.25 1 1 pag. 313
A20030.01.26 1 1 pag. 229
A20030.01.27 1 1 pag. 313
A20030.01.27 1 1 pag. 432
A20030.01.28 1 1 pag. 312
A20030.01.28 1 1 pag. 433
A20030.01.28 1 1 pag. 433
A20030.01.29 1 1 pag. 312
A20030.01.29 1 1 pag. 433
A20030.01.30 1 1 pag. 312
A20030.01.31 1 1 pag. 313
A20030.01.32 1 1 pag. 314
A20030.01.33 1 1 pag. 314
A20030.01.35 1 1 pag. 314
A20030.01.38 1 1 pag. 307
A20030.01.39 1 1 pag. 307
A20030.01.40 1 1 pag. 307
A20030.01.41 1 1 pag. 307
A20030.01.42 1 1 pag. 307
A20030.01.43 1 1 pag. 307
A20030.01.44 1 1 pag. 307
A20030.01.45 1 1 pag. 307
A20030.06.01 1 1 pag. 306
A20030.06.02 1 1 pag. 306
A20031.25.08 5 5 pag. 576
A20031.25.09 5 5 pag. 576
A20031.25.10 5 5 pag. 576
A20032.02.02 20 20 pag. 608
A20032.02.03 20 20 pag. 608
A20032.02.04 20 20 pag. 608
A20032.02.05 20 20 pag. 608
A20032.02.06 20 20 pag. 608
A20032.02.07 20 20 pag. 608
A20032.02.08 10 10 pag. 566
A20032.02.08 10 10 pag. 608
A20032.02.09 10 10 pag. 566
A20032.02.09 10 10 pag. 608
A20032.02.10 10 10 pag. 566
A20032.02.10 10 10 pag. 608
A20032.04.02 20 20 pag. 609
A20032.04.03 20 20 pag. 609
A20032.04.04 20 20 pag. 609
A20032.04.05 20 20 pag. 609
A20032.04.06 20 20 pag. 609
A20032.04.07 20 20 pag. 609

Code  

A20032.04.08 10 10 pag. 609
A20032.04.09 10 10 pag. 609
A20032.04.10 10 10 pag. 609
A20035.00.01 20 20 pag. 607
A20035.00.01 20 20 pag. 625
A20035.00.03 50 1000 pag. 612
A20035.00.04 50 1000 pag. 600
A20035.02.01 20 20 pag. 608
A20035.02.01 20 20 pag. 566
A20035.02.01 20 20 pag. 609
A20035.02.01 20 20 pag. 610
A20035.02.02 50 1000 pag. 566
A20035.02.02 50 1000 pag. 608
A20035.02.03 50 50 pag. 566
A20035.02.03 50 50 pag. 608
A20035.02.03 50 50 pag. 609
A20035.02.04 50 50 pag. 566
A20035.02.04 50 50 pag. 608
A20035.02.04 50 50 pag. 609
A20035.02.05 20 20 pag. 608
A20035.02.05 20 20 pag. 566
A20035.02.05 20 20 pag. 609
A20035.02.05 20 20 pag. 610
A20035.04.02 50 1000 pag. 609
A20036.01.01 20 20 pag. 606
A20036.01.02 20 20 pag. 606
A20036.02.01 20 20 pag. 606
A20036.02.02 20 20 pag. 606
A20036.05.01 20 20 pag. 606
A20036.05.02 20 20 pag. 606
A20036.25.01 20 20 pag. 606
A20036.25.02 20 20 pag. 606
A20036.xx.01 20 20 pag. 606
A20036.xx.02 20 20 pag. 606
A20040.01.01 20 20 pag. 597
A20040.01.02 20 20 pag. 597
A20040.01.03 20 20 pag. 597
A20040.01.04 20 20 pag. 597
A20040.01.05 20 20 pag. 597
A20040.01.06 20 20 pag. 597
A20040.06.01 20 20 pag. 597
A20040.06.02 20 20 pag. 597
A20040.06.03 20 20 pag. 597
A20040.06.04 20 20 pag. 597
A20040.06.05 20 20 pag. 597
A20040.06.06 20 20 pag. 597
A20041.01.01 20 100 pag. 592
A20041.01.02 20 100 pag. 592
A20041.01.03 20 100 pag. 592
A20041.01.04 20 100 pag. 592
A20041.06.01 20 100 pag. 592
A20041.06.02 20 100 pag. 592
A20041.06.05 20 100 pag. 592
A20041.06.06 20 100 pag. 592
A20047.07.01 50 500 pag. 617
A20050.00.02 10 100 pag. 620
A20057.00.02 5 5 pag. 624
A20057.00.02 5 5 pag. 652
A20060.00.00 20 20 pag. 652
A20060.00.01 20 20 pag. 652
A20060.00.02 20 20 pag. 652
A20060.00.03 20 20 pag. 652
A20060.00.04 20 20 pag. 652
A20060.00.05 20 20 pag. 652
A20061.00.01 20 180 pag. 567
A20061.00.01 20 180 pag. 606

Code Code Code 

A20061.00.02 20 180 pag. 567
A20061.00.02 20 180 pag. 606
A20061.01.01 20 180 pag. 567
A20061.01.01 20 180 pag. 606
A20061.01.02 20 180 pag. 567
A20061.01.02 20 180 pag. 606
A20061.05.01 20 180 pag. 567
A20061.05.01 20 180 pag. 606
A20061.05.02 20 180 pag. 567
A20061.05.02 20 180 pag. 606
A20062.01.01 20 180 pag. 567
A20062.01.01 20 180 pag. 606
A20062.01.02 20 180 pag. 567
A20062.01.02 20 180 pag. 606
A20063.01.01 20 180 pag. 567
A20063.01.01 20 180 pag. 606
A20063.01.02 20 180 pag. 567
A20063.01.02 20 180 pag. 606
A20064.01.01 20 120 pag. 567
A20064.01.02 20 20 pag. 567
A20064.05.01 20 120 pag. 567
A20064.05.02 20 20 pag. 567
A20065.01.01 20 120 pag. 567
A20065.01.02 20 20 pag. 567
A20066.01.01 20 120 pag. 567
A20066.01.02 20 20 pag. 567
A20099.00.01 50 50 pag. 608
A20099.00.01 50 50 pag. 609
A20111.01.01 10 10 pag. 586
A20111.01.02 10 10 pag. 586
A20111.01.03 10 10 pag. 586
A20111.01.04 10 10 pag. 586
A20111.01.05 10 10 pag. 586
A20111.01.06 10 10 pag. 586
A20111.01.07 10 10 pag. 586
A20111.06.01 10 10 pag. 586
A20111.06.02 10 10 pag. 586
A20111.06.03 10 10 pag. 586
A20111.06.04 10 10 pag. 586
A20111.06.05 10 10 pag. 586
A20111.06.06 10 10 pag. 586
A20111.06.07 10 10 pag. 586
A20112.01.01 10 10 pag. 586
A20112.01.02 10 10 pag. 586
A20112.01.03 10 10 pag. 586
A20112.01.04 10 10 pag. 586
A20112.01.05 10 10 pag. 586
A20112.01.06 10 10 pag. 586
A20112.01.07 10 10 pag. 586
A20112.06.01 10 10 pag. 586
A20112.06.02 10 10 pag. 586
A20112.06.03 10 10 pag. 586
A20112.06.04 10 10 pag. 586
A20112.06.05 10 10 pag. 586
A20112.06.06 10 10 pag. 586
A20118.01.01 20 20 pag. 597
A20118.01.02 20 20 pag. 597
A20119.00.05 50 50 pag. 273
A20119.00.05 50 50 pag. 597
A20138.01.01 20 20 pag. 601
A20138.01.02 20 100 pag. 602
A20138.06.01 20 20 pag. 601
A20138.06.02 20 100 pag. 602
A20161.01.01 20 180 pag. 606
A20161.05.01 20 180 pag. 567
A20161.05.01 20 180 pag. 606

A20162.01.01 20 180 pag. 606
A20163.01.01 20 180 pag. 606
A21009.00.02 20 20 pag. 622
A21009.00.04 20 20 pag. 622
A21009.00.08 20 20 pag. 622
A21009.00.10 20 20 pag. 622
A21009.00.11 20 20 pag. 622
A21117.00.02 20 200 pag. 562
A21117.00.04 50 50 pag. 562
A21117.00.42 5 50 pag. 562
A21117.xx.00 50 50 pag. 562
A2118.00.02 20 200 pag. 562
A2118.00.42 5 50 pag. 562
A21121.00.00 5 5 pag. 565
A21121.00.40 5 45 pag. 562
A21121.00.41 5 50 pag. 562
A21121.00.42 5 45 pag. 572
A21122.00.00 5 5 pag. 565
A21122.00.40 5 45 pag. 562
A21122.00.41 5 50 pag. 562
A21122.00.42 5 45 pag. 572
A30110.08.02 10 10 pag. 574
A30110.08.03 10 10 pag. 574
A30110.08.04 10 10 pag. 574
A30110.08.05 10 10 pag. 574
A30110.08.06 10 10 pag. 574
A30110.08.07 10 10 pag. 574
A30110.08.08 10 10 pag. 574
A30110.08.09 10 10 pag. 574
A30110.08.10 10 10 pag. 574
A30110.15.00 10 10 pag. 574
A30110.15.01 10 10 pag. 574
A30110.15.02 10 10 pag. 574
A30110.15.03 10 10 pag. 574
A30110.15.04 10 10 pag. 574
A30110.15.05 10 10 pag. 574
A30110.15.06 10 10 pag. 574
A30110.15.07 10 10 pag. 574
A30110.15.08 10 10 pag. 574
A30110.15.09 10 10 pag. 574
A30110.15.10 10 10 pag. 574
A30110.25.00 10 10 pag. 574
A30110.25.01 10 10 pag. 574
A30110.25.02 10 10 pag. 574
A30110.25.03 10 10 pag. 574
A30110.25.04 10 10 pag. 574
A30110.25.05 10 10 pag. 574
A30110.25.06 10 10 pag. 574
A30110.25.07 10 10 pag. 574
A30110.25.08 5 5 pag. 574
A30110.25.09 5 5 pag. 574
A30110.25.10 5 5 pag. 574
A30110.40.00 10 10 pag. 574
A30110.40.01 10 10 pag. 574
A30110.40.02 10 10 pag. 574
A30110.40.03 5 5 pag. 574
A30110.40.04 5 5 pag. 574
A30110.40.05 5 5 pag. 574
A30110.40.06 5 5 pag. 574
A30110.40.07 5 5 pag. 574
A30110.40.08 5 5 pag. 574
A30110.40.09 5 5 pag. 574
A30110.40.10 5 5 pag. 574
A30113.15.04 10 10 pag. 619
A30113.15.05 10 10 pag. 619
A30113.15.06 10 10 pag. 619

A30113.15.07 10 10 pag. 619
A30113.15.08 5 5 pag. 619
A30113.15.09 5 5 pag. 619
A30113.15.10 5 5 pag. 619
A30119.15.00 10 10 pag. 618
A30119.15.01 10 10 pag. 618
A30119.15.02 10 10 pag. 618
A30119.15.03 10 10 pag. 650
A30119.15.04 10 10 pag. 618
A30119.15.05 10 10 pag. 650
A30119.15.06 10 10 pag. 618
A30119.15.07 10 10 pag. 650
A30119.15.08 10 10 pag. 618
A30119.15.09 10 10 pag. 650
A30119.15.10 10 10 pag. 618
A30120.40.08 5 5 pag. 576
A30120.40.09 5 5 pag. 576
A30120.40.10 5 5 pag. 576
A30121.40.08 10 10 pag. 620
A30121.40.08 10 10 pag. 651
A30121.40.09 10 10 pag. 620
A30121.40.09 10 10 pag. 651
A30121.40.10 10 10 pag. 620
A30121.40.10 10 10 pag. 651
A30130.08.02 20 20 pag. 575
A30130.08.03 20 20 pag. 575
A30130.08.04 10 10 pag. 575
A30130.08.05 5 5 pag. 575
A30130.08.06 5 5 pag. 575
A30130.15.01 20 20 pag. 575
A30130.15.02 20 20 pag. 575
A30130.15.03 20 20 pag. 575
A30130.15.04 20 20 pag. 575
A30130.15.05 10 10 pag. 575
A30130.15.06 10 10 pag. 575
A30130.25.01 10 10 pag. 575
A30130.25.02 10 10 pag. 575
A30130.25.03 10 10 pag. 575
A30130.25.04 10 10 pag. 575
A30130.25.05 5 5 pag. 575
A30130.25.06 5 5 pag. 575
A30130.40.01 10 10 pag. 575
A30130.40.02 10 10 pag. 575
A30130.40.03 10 10 pag. 575
A30130.40.04 10 10 pag. 575
A30130.40.05 5 5 pag. 575
A30130.40.06 5 5 pag. 575
A30901.00.01 20 20 pag. 621
A30901.00.02 20 20 pag. 623
A30901.00.03 20 20 pag. 556
A30901.00.03 20 20 pag. 621
A30905.01.14 20 20 pag. 252
A30905.01.17 20 20 pag. 252
A30905.01.21 20 20 pag. 252
A30905.01.23 20 20 pag. 252
A30905.01.91 20 20 pag. 252
A30905.03.14 1 10 pag. 325

Code 

A30905.03.17 1 10 pag. 325
A30905.03.31 1 10 pag. 325
A30905.03.91 1 10 pag. 325
A30906.00.01 50 300 pag. 574
A30906.00.01 50 300 pag. 650
A30907.00.00 50 50 pag. 600
A30909.00.02 20 20 pag. 621
A30909.00.03 20 20 pag. 621
A31011.00.04 20 20 pag. 584
A31011.00.08 20 20 pag. 584
A31020.00.01 20 20 pag. 622
A31120.00.04 20 20 pag. 622
A31220.00.03 5 5 pag. 624
A31220.00.04 5 5 pag. 624
A31901.00.00 20 20 pag. 301
A31901.00.00 20 20 pag. 328
A31901.00.00 20 20 pag. 266
A31901.00.00 20 20 pag. 589
A31901.00.00 20 20 pag. 624
A32011.00.01 10 10 pag. 585
A32011.00.01 10 10 pag. 588
A32011.00.02 10 10 pag. 585
A32011.00.02 10 10 pag. 588
A32011.00.03 10 10 pag. 585
A32011.00.03 10 10 pag. 588
A32011.00.04 10 10 pag. 585
A32011.00.04 10 10 pag. 588
A32011.00.05 10 10 pag. 585
A32011.00.05 10 10 pag. 588
A32011.00.06 10 10 pag. 585
A32011.00.06 10 10 pag. 588
A32011.00.07 10 10 pag. 585
A32011.00.07 10 10 pag. 588
A32032.00.04 10 10 pag. 622
A32032.00.05 10 10 pag. 622
A32032.00.06 10 10 pag. 622
A32032.00.07 10 10 pag. 622
A321xx.xx.01 1 10 pag. 585
A321xx.xx.01 1 10 pag. 588
A321xx.xx.02 1 10 pag. 585
A321xx.xx.02 1 10 pag. 588
A321xx.xx.03 1 10 pag. 585
A321xx.xx.03 1 10 pag. 588
A321xx.xx.04 1 10 pag. 585
A321xx.xx.04 1 10 pag. 588
A32320.24.00 20 200 pag. 593
A32320.26.00 20 200 pag. 593
A32320.28.00 20 200 pag. 593
A32320.34.00 20 200 pag. 593
A32320.36.00 20 200 pag. 593
A32320.38.00 20 200 pag. 593
A32320.46.00 20 100 pag. 593
A32320.48.00 20 100 pag. 593
A32321.24.00 1 50 pag. 591
A32511.01.00 10 10 pag. 586
A32511.01.01 10 10 pag. 586
A32511.01.02 10 10 pag. 586
A32511.06.00 10 10 pag. 586
A32511.06.01 10 10 pag. 586
A32511.06.02 10 10 pag. 586
A32521.24.00 10 10 pag. 588
A32521.24.01 10 10 pag. 588
A32521.24.02 10 10 pag. 588
A32521.26.00 10 10 pag. 588
A32521.26.01 10 10 pag. 588
A32521.26.02 10 10 pag. 588

Code 

A32521.28.00 10 10 pag. 588
A32521.28.01 10 10 pag. 588
A32521.28.02 10 10 pag. 588
A32521.34.00 10 10 pag. 588
A32521.34.01 10 10 pag. 588
A32521.34.02 10 10 pag. 588
A32521.36.00 10 10 pag. 588
A32521.36.01 10 10 pag. 588
A32521.36.02 10 10 pag. 588
A32521.38.00 10 10 pag. 588
A32521.38.01 10 10 pag. 588
A32521.38.02 10 10 pag. 588
A32521.46.00 10 10 pag. 588
A32521.46.01 10 10 pag. 588
A32521.46.02 10 10 pag. 588
A32521.48.00 10 10 pag. 588
A32521.48.01 10 10 pag. 588
A32521.48.02 10 10 pag. 588
A32531.24.00 10 10 pag. 585
A32531.24.01 10 10 pag. 585
A32531.24.02 10 10 pag. 585
A33021.07.00 20 200 pag. 593
A33021.07.03 20 200 pag. 593
A33022.07.00 20 200 pag. 593
A33023.07.00 20 200 pag. 593
A33030.24.00 1 50 pag. 591
A33031.24.00 20 100 pag. 591
A33031.26.00 20 100 pag. 591
A33032.24.00 20 100 pag. 591
A33033.24.00 20 100 pag. 591
A33222.07.03 10 100 pag. 593
A33232.24.00 10 100 pag. 591
A33232.26.00 10 100 pag. 591
A34026.24.01 20 20 pag. 598
A34026.24.02 20 20 pag. 598
A34026.26.01 20 20 pag. 598
A34026.26.02 20 20 pag. 598
A34026.28.01 20 20 pag. 598
A34026.28.02 20 20 pag. 598
A34026.34.01 20 20 pag. 598
A34026.34.02 20 20 pag. 598
A34026.36.01 20 20 pag. 598
A34026.36.02 20 20 pag. 598
A34026.38.01 20 20 pag. 598
A34026.38.02 20 20 pag. 598
A34026.46.01 20 20 pag. 598
A34026.46.02 20 20 pag. 598
A34026.48.01 20 20 pag. 598
A34026.48.02 20 20 pag. 598
A34030.24.01 20 20 pag. 594
A34030.24.02 20 20 pag. 594
A34030.26.01 20 20 pag. 594
A34030.26.02 20 20 pag. 594
A34031.24.01 1 50 pag. 594
A34031.24.02 1 50 pag. 594
A34034.24.01 20 20 pag. 595
A34034.24.02 20 20 pag. 595
A34034.26.01 20 20 pag. 595
A34034.26.02 20 20 pag. 595
A34035.24.01 1 20 pag. 595
A34035.24.02 1 20 pag. 595
A34036.24.01 20 20 pag. 594
A34036.24.02 20 20 pag. 594
A34037.24.01 20 20 pag. 594
A34037.24.02 20 20 pag. 594
A34121.24.01 20 20 pag. 599

Code 

A34121.24.02 20 20 pag. 599
A34121.26.01 20 20 pag. 599
A34121.26.02 20 20 pag. 599
A34121.28.01 20 20 pag. 599
A34121.28.02 20 20 pag. 599
A34121.34.01 20 20 pag. 599
A34121.34.02 20 20 pag. 599
A34121.36.01 20 20 pag. 599
A34121.36.02 20 20 pag. 599
A34121.38.01 20 20 pag. 599
A34121.38.02 20 20 pag. 599
A34121.46.01 20 20 pag. 599
A34121.46.02 20 20 pag. 599
A34121.48.01 20 20 pag. 599
A34121.48.02 20 20 pag. 599
A34130.24.01 20 20 pag. 595
A34130.24.02 20 20 pag. 595
A34130.26.01 20 20 pag. 595
A34130.26.02 20 20 pag. 595
A34134.24.01 20 20 pag. 596
A34134.24.02 20 20 pag. 596
A34134.26.01 20 20 pag. 596
A34134.26.02 20 20 pag. 596
A34136.24.01 20 20 pag. 595
A34136.24.02 20 20 pag. 595
A34137.24.01 20 20 pag. 595
A34137.24.02 20 20 pag. 595
A34201.07.04 20 100 pag. 598
A34201.07.05 20 200 pag. 598
A34201.07.13 20 100 pag. 598
A34203.07.01 20 100 pag. 598
A34203.07.02 20 100 pag. 598
A34203.07.09 20 100 pag. 598
A34203.07.10 20 100 pag. 598
A34203.07.11 20 100 pag. 598
A34203.07.12 20 100 pag. 598
A34204.24.01 1 50 pag. 594
A34204.24.01 1 50 pag. 595
A34204.24.02 1 50 pag. 594
A34204.24.02 1 50 pag. 595
A34321.07.00 20 20 pag. 602
A34331.05.00 20 100 pag. 601
A34441.24.00 20 20 pag. 601
A34441.26.00 20 20 pag. 601
A34442.24.00 20 20 pag. 602
A34442.26.00 20 20 pag. 602
A34442.28.00 20 20 pag. 602
A34442.34.00 20 20 pag. 602
A34442.36.00 20 20 pag. 602
A34442.38.00 20 20 pag. 602
A34442.46.00 20 20 pag. 602
A34442.48.00 20 20 pag. 602
A34805.01.00 20 20 pag. 603
A34805.04.00 20 20 pag. 603
A34805.05.00 20 20 pag. 603
A34805.xx.00 20 20 pag. 603
A34806.01.00 20 20 pag. 626
A34806.03.00 20 20 pag. 626
A34806.04.00 20 20 pag. 626
A34806.05.00 20 20 pag. 626
A34807.04.00 20 20 pag. 603
A34807.05.00 20 20 pag. 603
A35012.00.01 10 10 pag. 623
A35012.00.02 10 10 pag. 623
A35012.00.03 10 10 pag. 623
A35012.00.04 10 10 pag. 623

Code 


A35012.00.05 10 10 pag. 623
 A35012.00.06 10 10 pag. 623
 A35013.00.06 10 10 pag. 623
 A35015.00.01 1 10 pag. 628
 A35015.00.02 1 10 pag. 628
 A35023.00.01 10 10 pag. 623
 A35023.00.02 10 10 pag. 623
 A35023.00.03 10 10 pag. 623
 A35023.00.04 10 10 pag. 623
 A35023.00.05 10 10 pag. 623
 A35023.00.06 10 10 pag. 623
 A36110.00.02 20 20 pag. 607
 A36110.00.03 20 20 pag. 607
 A36110.00.04 20 20 pag. 607
 A36110.00.05 20 20 pag. 607
 A36110.00.06 20 20 pag. 607
 A36110.00.07 20 20 pag. 607
 A36110.00.08 20 20 pag. 607
 A36110.00.09 20 20 pag. 607
 A36110.00.10 20 20 pag. 607
 A36112.00.02 20 20 pag. 625
 A36112.00.03 20 20 pag. 625
 A36112.00.04 20 20 pag. 625
 A36112.00.05 20 20 pag. 625
 A36112.00.06 20 20 pag. 625
 A36112.00.07 20 20 pag. 625
 A36112.00.08 10 10 pag. 625
 A36112.00.09 10 10 pag. 625
 A36112.00.10 10 10 pag. 625
 A36121.02.02 10 10 pag. 610
 A36121.02.03 10 10 pag. 610
 A36121.02.04 10 10 pag. 610
 A36121.02.05 10 10 pag. 610
 A36121.02.06 10 10 pag. 610
 A36121.02.07 10 10 pag. 610
 A36121.02.08 10 10 pag. 610
 A36121.02.09 10 10 pag. 610
 A36121.02.10 10 10 pag. 610
 A36122.02.02 10 10 pag. 610
 A36122.02.03 10 10 pag. 610
 A36122.02.04 10 10 pag. 610
 A36122.02.05 10 10 pag. 610
 A36122.02.06 10 10 pag. 610
 A36122.02.07 10 10 pag. 610
 A36122.02.08 10 10 pag. 610
 A36122.02.09 10 10 pag. 610
 A36122.02.10 10 10 pag. 610
 A36901.01.00 10 10 pag. 293
 A36901.01.00 10 10 pag. 330
 A36901.01.14 10 10 pag. 293
 A36901.01.14 10 10 pag. 330
 A36901.02.00 10 10 pag. 293
 A36901.02.00 10 10 pag. 330
 A36901.02.14 10 10 pag. 293
 A36901.02.14 10 10 pag. 330
 A36901.03.00 10 10 pag. 293
 A36901.03.00 10 10 pag. 330
 A36901.03.14 10 10 pag. 293
 A36901.03.14 10 10 pag. 330
 A36905.00.02 20 20 pag. 607
 A36906.00.02 20 20 pag. 625
 A36907.00.14 50 50 pag. 293
 A36907.00.14 50 50 pag. 330
 A36907.00.97 50 50 pag. 293
 A36907.00.97 50 50 pag. 330
 A36910.00.02 20 20 pag. 622

Code 

A36910.00.02 20 20 pag. 625
 A36910.00.02 20 20 pag. 652
 A36911.00.00 50 500 pag. 625
 A36912.00.00 20 200 pag. 625
 A37001.01.21 50 500 pag. 279
 A37001.01.50 50 500 pag. 279
 A37001.02.21 50 500 pag. 279
 A37001.02.50 50 500 pag. 279
 A37002.01.21 50 250 pag. 279
 A37002.01.50 50 250 pag. 279
 A37002.02.21 50 250 pag. 279
 A37002.02.50 50 250 pag. 279
 A37003.01.21 50 250 pag. 279
 A37003.01.50 50 250 pag. 279
 A37004.01.21 50 500 pag. 279
 A37004.01.50 50 500 pag. 279
 A37101.01.06 50 50 pag. 278
 A37101.01.14 50 50 pag. 278
 A37101.01.21 50 50 pag. 278
 A37101.01.50 50 50 pag. 278
 A37101.01.91 50 50 pag. 278
 A37101.01.94 50 50 pag. 278
 A37101.02.06 50 50 pag. 278
 A37101.02.14 50 50 pag. 278
 A37101.02.21 50 50 pag. 278
 A37101.02.50 50 50 pag. 278
 A37101.02.91 50 50 pag. 278
 A37101.02.94 50 50 pag. 278
 A37102.01.06 20 100 pag. 278
 A37102.01.14 20 100 pag. 278
 A37102.01.21 20 100 pag. 278
 A37102.01.50 20 100 pag. 278
 A37102.01.84 20 100 pag. 278
 A37102.01.91 20 100 pag. 278
 A37102.01.94 20 100 pag. 278
 A37102.02.06 20 100 pag. 281
 A37102.02.14 20 100 pag. 281
 A37102.02.21 20 100 pag. 281
 A37102.02.50 20 100 pag. 281
 A37102.02.91 20 100 pag. 281
 A37102.02.94 20 100 pag. 281
 A37102.02.98 20 100 pag. 281
 A37102.03.06 20 100 pag. 281
 A37102.03.14 20 100 pag. 281
 A37102.03.21 20 100 pag. 281
 A37102.03.50 20 100 pag. 281
 A37102.03.91 20 100 pag. 281
 A37102.03.94 20 100 pag. 281
 A37102.03.98 20 100 pag. 281
 A37102.18.06 20 100 pag. 278
 A37102.18.14 20 100 pag. 278
 A37102.18.16 20 100 pag. 278
 A37102.18.21 20 100 pag. 278
 A37102.18.50 20 100 pag. 278
 A37102.18.91 20 100 pag. 278
 A37102.18.94 20 100 pag. 278
 A37102.19.06 20 100 pag. 281
 A37102.19.14 20 100 pag. 281
 A37102.19.21 20 100 pag. 281
 A37102.19.50 20 100 pag. 281
 A37102.19.94 20 100 pag. 281
 A37102.19.98 20 100 pag. 281
 A37104.01.06 20 20 pag. 277
 A37104.01.14 20 20 pag. 277
 A37104.01.21 20 20 pag. 277

Code 

A37104.01.50 20 20 pag. 277
 A37104.01.84 20 20 pag. 277
 A37104.01.91 20 20 pag. 277
 A37104.01.94 20 20 pag. 277
 A37104.02.06 20 20 pag. 277
 A37104.02.14 20 20 pag. 277
 A37104.02.21 20 20 pag. 277
 A37104.02.50 20 20 pag. 277
 A37104.02.84 20 20 pag. 277
 A37104.02.91 20 20 pag. 277
 A37104.02.94 20 20 pag. 277
 A37104.12.06 20 20 pag. 277
 A37104.12.21 20 20 pag. 277
 A37104.12.50 20 20 pag. 277
 A37104.12.84 20 20 pag. 277
 A37104.12.91 20 20 pag. 277
 A37104.12.94 20 20 pag. 277
 A37104.13.06 20 20 pag. 277
 A37104.13.21 20 20 pag. 277
 A37104.13.50 20 20 pag. 277
 A37104.13.84 20 20 pag. 277
 A37104.13.91 20 20 pag. 277
 A37104.13.94 20 20 pag. 277
 A37104.16.06 20 20 pag. 281
 A37104.16.14 20 20 pag. 281
 ● A37104.16.21 20 20 pag. 281
 A37104.16.50 20 20 pag. 281
 A37104.16.91 20 20 pag. 281
 A37104.16.94 20 20 pag. 281
 A37104.16.98 20 20 pag. 281
 A37104.17.06 20 20 pag. 281
 A37104.17.14 20 20 pag. 281
 ● A37104.17.21 20 20 pag. 281
 A37104.17.50 20 20 pag. 281
 A37104.17.91 20 20 pag. 281
 A37104.17.94 20 20 pag. 281
 A37104.17.98 20 20 pag. 281
 ● A37106.03.06 50 50 pag. 282
 ● A37106.03.14 50 50 pag. 282
 ● A37106.03.21 50 50 pag. 282
 ● A37106.03.50 50 50 pag. 282
 ● A37106.03.91 50 50 pag. 282
 ● A37106.03.94 50 50 pag. 282
 ● A37106.03.98 50 50 pag. 282
 ● A37106.04.06 50 50 pag. 282
 ● A37106.04.14 50 50 pag. 282
 ● A37106.04.21 50 50 pag. 282
 ● A37106.04.50 50 50 pag. 282
 ● A37106.04.91 50 50 pag. 282
 ● A37106.04.94 50 50 pag. 282
 ● A37106.04.98 50 50 pag. 282
 ● A37106.05.06 50 50 pag. 282
 ● A37106.05.14 50 50 pag. 282
 ● A37106.05.21 50 50 pag. 282
 ● A37106.05.50 50 50 pag. 282
 ● A37106.05.91 50 50 pag. 282
 ● A37106.05.94 50 50 pag. 282
 ● A37106.05.98 50 50 pag. 282
 ● A37106.06.06 50 50 pag. 282
 ● A37106.06.14 50 50 pag. 282
 ● A37106.06.21 50 50 pag. 282
 ● A37106.06.50 50 50 pag. 282
 ● A37106.06.91 50 50 pag. 282
 ● A37106.06.94 50 50 pag. 282
 ● A37106.06.98 50 50 pag. 282
 A37901.00.21 12 60 pag. 288

Code 

A37901.00.50	12 60	pag. 288
A37901.00.91	12 60	pag. 288
A37901.00.93	12 60	pag. 288
A37901.00.94	12 60	pag. 288
A37901.00.98	12 60	pag. 288
A37902.00.06	12 60	pag. 287
A37902.00.14	12 60	pag. 287
A37902.00.21	12 60	pag. 287
A37902.00.50	12 60	pag. 287
A37902.00.91	12 60	pag. 287
A37902.00.93	12 60	pag. 287
A37902.00.94	12 60	pag. 287
A37902.00.98	12 60	pag. 287
A37903.00.06	12 60	pag. 289
A37903.00.14	12 60	pag. 289
A37903.00.16	12 60	pag. 289
A37903.00.21	12 60	pag. 289
A37903.00.50	12 60	pag. 289
A37903.00.91	12 60	pag. 289
A37903.00.93	12 60	pag. 289
A37903.00.94	12 60	pag. 289
A37904.00.06	12 60	pag. 288
A37904.00.14	12 60	pag. 288
A37904.00.16	12 60	pag. 288
A37904.00.21	12 60	pag. 288
A37904.00.50	12 60	pag. 288
A37904.00.91	12 60	pag. 288
A37904.00.93	12 60	pag. 288
A37904.00.94	12 60	pag. 288
A38010.01.38	20 20	pag. 616
A38010.01.40	20 200	pag. 627
A38010.01.40	20 200	pag. 653
A38010.01.45	1 10	pag. 628
A38010.01.46	1 10	pag. 628
● A38010.01.54	50 500	pag. 615
A38010.05.01	50 250	pag. 614
A38010.05.02	50 500	pag. 559
A38010.05.02	50 500	pag. 611
A38010.05.02	50 500	pag. 641
A38010.05.02	50 500	pag. 636
A38010.05.02	50 500	pag. 648
A38010.05.02	50 500	pag. 654
A38010.05.24	50 300	pag. 584
A38010.05.28	50 500	pag. 615
A38010.05.36	50 500	2 pag. 615
A38010.05.38	20 20	pag. 616
A38010.05.44	50 50	pag. 614
● A38010.05.55	50 500	pag. 615
● A38010.05.56	50 500	pag. 615
● A38010.05.57	50 500	pag. 615
A38010.05.99	50 250	pag. 614
A38010.06.45	1 10	pag. 628
A38010.06.46	1 10	pag. 628
A38010.09.03	50 500	pag. 613
A38010.09.03	50 500	pag. 625
A38010.11.38	20 20	pag. 616
A38010.19.03	50 500	pag. 613
A38011.01.03	50 500	pag. 613
A38011.01.03	50 500	pag. 654
A38011.03.13	50 500	2 pag. 542
A38011.04.13	50 500	2 pag. 542
A38011.05.03	50 500	pag. 613
A38011.05.03	50 500	pag. 654
A38011.05.13	50 500	2 pag. 543
A38011.11.03	50 500	pag. 613
A38011.19.33	50 500	pag. 613

Code 

A38012.01.03	50 500	pag. 613
A38012.01.03	50 500	pag. 654
A38012.03.13	50 500	pag. 542
A38012.04.13	50 500	pag. 542
A38012.05.03	50 500	pag. 613
A38012.05.03	50 500	pag. 654
A38012.05.13	50 500	pag. 543
A38012.11.03	50 500	pag. 613
A38012.19.33	50 500	pag. 613
A38013.05.22	50 250	pag. 627
A38013.05.22	50 250	pag. 542
A38013.05.22	50 250	pag. 648
A38013.05.22	50 250	pag. 654
A38013.19.22	50 250	pag. 627
A38013.xx.22	50 500	pag. 627
A38021.01.03	250 250	pag. 613
A38022.01.03	250 250	pag. 613
A38902.19.01	50 500	pag. 302
A38904.01.93	50 600	pag. 298
A38904.02.93	50 600	pag. 298
A39200.00.01	1 1	pag. 310
A39200.00.01	1 1	pag. 310
A39200.01.01	1 1	pag. 310
A39200.01.02	1 1	pag. 310
A39200.01.03	1 1	pag. 310
A39200.07.03	1 1	pag. 311
A39200.07.04	1 1	pag. 311
A39200.07.06	1 1	pag. 311
A39303.07.01	1 1	pag. 306
A39303.07.02	1 1	pag. 306
A39304.06.00	1 1	pag. 332
A39304.06.01	1 1	pag. 332
A39304.06.02	1 1	pag. 332
A39305.06.01	1 1	pag. 332
A39305.06.02	1 1	pag. 332
A39306.06.00	1 1	pag. 332
A39306.06.00	1 1	pag. 332
A39306.06.01	1 1	pag. 332
A39306.06.02	1 1	pag. 332
A39308.06.01	1 1	pag. 309
A39308.06.01	1 1	pag. 332
A39308.06.02	1 1	pag. 309
A39309.06.00	1 1	pag. 308
A39310.06.00	1 1	pag. 304
A39310.06.01	1 1	pag. 304
A39311.01.00	1 1	pag. 304
A39311.06.00	1 1	pag. 305
A39312.00.00	1 1	pag. 336
● A39316.00.01	1 1	pag. 307
● A39316.00.02	1 1	pag. 307
A39402.00.01	1 1	pag. 310
A39402.00.02	1 1	pag. 310
A39402.00.03	1 1	pag. 310
A39402.00.04	1 1	pag. 310
A39402.00.05	1 1	pag. 310
A39403.01.04	12 12	pag. 604
A39403.02.04	12 12	pag. 604
A39403.03.04	12 12	pag. 605
A39403.04.04	12 12	pag. 604
A39403.05.04	12 12	pag. 605
A39403.06.04	12 12	pag. 605
A39403.98.00	500 500	pag. 605
A39403.99.00	500 500	pag. 605
A39405.00.01	1 10	pag. 303
A39405.01.01	20 20	pag. 303
A39405.01.02	20 20	pag. 303

Code 




A39405.01.03	20 20	pag. 303
A39405.01.04	20 20	pag. 303
A39406.10.00	10 10	pag. 333
A39406.10.01	10 10	pag. 333
A39406.11.00	10 10	pag. 335
A39406.12.91	10 10	pag. 334
A39406.12.94	10 10	pag. 334
A39406.14.91	1 10	pag. 333
A39406.14.94	1 10	pag. 333
A39406.15.91	5 50	pag. 334
A39406.15.94	5 50	pag. 334
A39406.17.91	1 10	pag. 334
A39406.17.94	1 10	pag. 334
A39407.00.90	80 80	pag. 266
A39407.00.91	80 80	pag. 266
A39407.00.93	80 80	pag. 266
A39407.00.94	80 80	pag. 266
A39407.00.97	80 80	pag. 266
A39408.01.01	1 50	pag. 230
A40000.00.01	50 50	pag. 283
A40000.00.02	50 50	pag. 283
A40000.00.03	50 50	pag. 283
A40000.00.04	50 50	pag. 283
A40001.00.01	50 50	pag. 283
A40001.00.02	50 50	pag. 283
A40001.00.03	50 50	pag. 283
A40001.00.03	50 50	pag. 283
● A40001.00.04	50 50	pag. 283
● A40001.00.04	50 50	pag. 283
A40009.00.00	20 20	pag. 258
A40009.00.01	20 20	pag. 258
A40009.00.02	20 20	pag. 258
A40009.00.03	20 20	pag. 258
A40009.00.04	20 20	pag. 258
A40009.00.05	20 20	pag. 258
A40009.00.07	20 20	pag. 258
A40009.00.08	20 20	pag. 258
A40009.00.09	20 20	pag. 258
A40012.00.01	20 20	pag. 263
A40013.00.01	10 10	pag. 266
A40013.00.02	10 10	pag. 266
A40013.00.03	10 10	pag. 266
A40013.00.04	10 10	pag. 266
A40014.00.01	10 10	pag. 266
A40014.00.02	10 10	pag. 266
A40014.00.03	10 10	pag. 266
A40014.00.04	10 10	pag. 266
A40017.00.19	50 500	pag. 221
A40017.00.19	50 500	pag. 300
A40017.01.01	50 500	pag. 299
A40017.01.02	50 500	pag. 220
A40017.01.02	50 500	pag. 297
A40017.01.02	50 500	pag. 440
A40017.01.04	50 500	pag. 221
A40017.01.04	50 500	pag. 300
A40017.01.05	50 500	pag. 221
A40017.01.05	50 500	pag. 300
A40017.01.06	50 500	pag. 300
A40017.01.07	50 500	pag. 300
A40017.01.08	50 500	pag. 300
A40017.01.09	50 500	pag. 300
A40017.01.10	50 500	pag. 297
A40017.01.10	50 500	pag. 428
A40017.01.10	50 500	pag. 440
A40017.01.12	50 500	pag. 202
A40017.01.12	50 500	pag. 220

Code				Code				Code			
A40017.01.13	50	500	pag. 331	A40018.01.13	50	500	pag. 440	A40036.xx.01	20	20	pag. 290
A40017.01.13	50	500	pag. 440	A40018.01.13	50	500	pag. 450	A40036.xx.02	20	20	pag. 290
A40017.01.13	50	500	pag. 450	A40019.00.06	20	20	pag. 251	A40040.01.01	20	20	pag. 273
A40017.01.14	20	200	pag. 299	A40020.00.01	20	20	pag. 251	A40040.01.02	20	20	pag. 273
A40017.01.16	50	250	pag. 283	A40020.00.02	20	20	pag. 251	A40040.01.03	20	20	pag. 273
A40017.01.17	50	500	pag. 301	A40020.00.03	20	20	pag. 251	A40040.01.04	20	20	pag. 273
A40017.01.18	50	300	pag. 302	A40022.00.02	20	20	pag. 259	A40040.01.05	20	20	pag. 273
A40017.01.35	50	500	pag. 295	A40022.00.04	20	20	pag. 259	A40040.01.06	20	20	pag. 273
A40017.01.35	50	500	pag. 300	A40023.00.01	10	10	pag. 266	A40040.06.01	20	20	pag. 273
A40017.03.01	50	250	pag. 299	A40023.00.02	10	10	pag. 266	A40040.06.02	20	20	pag. 273
A40017.03.02	50	500	pag. 220	A40023.00.03	10	10	pag. 266	A40040.06.03	20	20	pag. 273
A40017.03.02	50	500	pag. 297	A40023.00.04	10	10	pag. 266	A40040.06.04	20	20	pag. 273
A40017.03.02	50	500	pag. 428	A40025.00.00	10	10	pag. 263	A40040.06.05	20	20	pag. 273
A40017.03.02	50	500	pag. 440	A40025.00.01	10	10	pag. 263	A40040.06.06	20	20	pag. 273
A40017.03.04	50	500	pag. 300	A40025.00.02	10	10	pag. 263	A40041.01.01	20	100	pag. 268
A40017.03.05	50	500	pag. 221	A40028.06.01	20	200	pag. 284	A40041.01.02	20	100	pag. 268
A40017.03.05	50	500	pag. 300	A40032.02.02	20	20	pag. 294	A40041.01.03	20	100	pag. 268
A40017.03.12	50	500	pag. 220	A40032.02.03	20	20	pag. 294	A40041.01.04	20	100	pag. 268
A40017.03.13	50	500	pag. 203	A40032.02.04	20	20	pag. 294	A40041.06.01	20	100	pag. 268
A40017.03.13	50	500	pag. 331	A40032.02.05	20	20	pag. 294	A40041.06.02	20	100	pag. 268
A40017.04.01	50	250	pag. 299	A40032.02.06	20	20	pag. 294	A40041.06.05	20	100	pag. 268
A40017.04.02	50	500	pag. 220	A40032.02.07	20	20	pag. 294	A40041.06.06	20	100	pag. 268
A40017.04.02	50	500	pag. 428	A40032.02.08	10	10	pag. 225	A40047.07.01	50	500	pag. 302
A40017.04.02	50	500	pag. 297	A40032.02.08	10	10	pag. 294	A40057.00.02	5	5	pag. 328
A40017.04.02	50	500	pag. 440	A40032.02.09	10	10	pag. 225	A40057.00.02	5	5	pag. 448
A40017.04.04	50	500	pag. 221	A40032.02.09	10	10	pag. 294	A40060.00.00	20	20	pag. 448
A40017.04.04	50	500	pag. 300	A40032.02.10	10	10	pag. 225	A40060.00.01	20	20	pag. 448
A40017.04.05	50	500	pag. 221	A40032.02.10	10	10	pag. 294	A40060.00.02	20	20	pag. 448
A40017.04.05	50	500	pag. 300	A40032.04.02	20	20	pag. 295	A40060.00.03	20	20	pag. 448
A40017.04.12	50	500	pag. 220	A40032.04.03	20	20	pag. 295	A40060.00.04	20	20	pag. 448
A40017.04.13	50	500	pag. 203	A40032.04.04	20	20	pag. 295	A40060.00.05	20	20	pag. 448
A40017.04.13	50	500	pag. 331	A40032.04.05	20	20	pag. 295	A40061.01.01	20	180	pag. 226
A40017.04.35	50	500	pag. 295	A40032.04.06	20	20	pag. 295	A40061.01.01	20	180	pag. 290
A40017.04.35	50	500	pag. 300	A40032.04.07	20	20	pag. 295	A40061.01.02	20	180	pag. 226
A40017.05.04	50	500	pag. 221	A40032.04.08	10	10	pag. 295	A40061.01.02	20	180	pag. 290
A40017.05.04	50	500	pag. 300	A40032.04.09	10	10	pag. 295	A40061.05.01	20	180	pag. 226
A40017.05.05	50	500	pag. 221	A40032.04.10	10	10	pag. 295	A40061.05.01	20	180	pag. 290
A40017.05.05	50	500	pag. 300	A40035.00.01	20	20	pag. 292	A40061.05.02	20	180	pag. 226
A40017.05.12	50	500	pag. 220	A40035.00.01	20	20	pag. 329	A40061.05.02	20	180	pag. 290
A40017.05.17	50	500	pag. 301	A40035.00.03	50	1000	pag. 297	A40061.19.01	20	180	pag. 226
A40017.05.32	20	240	pag. 450	A40035.00.04	50	1000	pag. 283	A40061.19.01	20	180	pag. 290
A40017.05.35	50	500	pag. 295	A40035.02.01	20	20	pag. 225	A40061.19.02	20	180	pag. 226
A40017.05.35	50	500	pag. 300	A40035.02.01	20	20	pag. 295	A40061.19.02	20	180	pag. 290
A40017.06.04	50	500	pag. 300	A40035.02.01	20	20	pag. 294	A40064.01.01	20	120	pag. 226
A40017.06.05	50	500	pag. 221	A40035.02.01	20	20	pag. 296	A40064.01.02	20	20	pag. 226
A40017.06.05	50	500	pag. 300	A40035.02.02	50	1000	pag. 225	A40064.05.01	20	120	pag. 226
A40017.06.06	50	500	pag. 300	A40035.02.02	50	1000	pag. 294	A40064.05.02	20	20	pag. 226
A40017.06.07	50	500	pag. 300	A40035.02.03	50	50	pag. 225	A40064.19.01	20	120	pag. 226
A40017.06.08	50	500	pag. 300	A40035.02.03	50	50	pag. 294	A40064.19.01	20	120	pag. 291
A40017.06.09	50	500	pag. 300	A40035.02.03	50	50	pag. 295	A40064.19.02	20	20	pag. 226
A40017.06.14	20	200	pag. 299	A40035.02.04	50	50	pag. 294	A40064.19.02	20	20	pag. 291
A40017.06.16	50	250	pag. 283	A40035.02.04	50	50	pag. 225	A40065.01.01	20	120	pag. 226
A40017.06.18	50	300	pag. 302	A40035.02.04	50	50	pag. 295	A40065.01.02	20	20	pag. 226
A40017.06.18	50	300	pag. 292	A40035.02.05	20	20	pag. 225	A40066.01.01	20	120	pag. 226
A40017.06.18	50	300	pag. 329	A40035.02.05	20	20	pag. 294	A40066.01.02	20	20	pag. 226
A40017.25.32	50	50	pag. 220	A40035.02.05	20	20	pag. 295	A40099.00.01	50	50	pag. 294
A40017.25.32	50	50	pag. 297	A40035.02.05	20	20	pag. 296	A40099.00.01	50	50	pag. 295
A40017.25.33	50	1000	pag. 283	A40035.04.02	50	1000	pag. 295	A40110.15.00	10	10	pag. 248
A40017.xx.12	50	300	pag. 202	A40036.01.01	20	20	pag. 290	A40110.15.01	10	10	pag. 248
A40017.xx.12	50	300	pag. 220	A40036.01.02	20	20	pag. 290	A40110.15.02	10	10	pag. 248
A40017.xx.18	50	300	pag. 302	A40036.02.01	20	20	pag. 290	A40110.15.03	10	10	pag. 248
A40017.xx.22	50	200	pag. 202	A40036.02.02	20	20	pag. 290	A40110.15.04	10	10	pag. 248
A40017.xx.22	50	200	pag. 220	A40036.05.01	20	20	pag. 290	A40110.15.05	10	10	pag. 248
A40017.xx.30	50	200	pag. 204	A40036.05.02	20	20	pag. 290	A40110.15.06	10	10	pag. 248
A40017.xx.31	50	200	pag. 204	A40036.25.01	20	20	pag. 290	A40110.15.07	10	10	pag. 248
A40018.01.13	50	500	pag. 331	A40036.25.02	20	20	pag. 290	A40110.15.08	10	10	pag. 248

A40110.15.09	10 10	pag. 248
A40110.15.10	10 10	pag. 248
A40110.25.00	10 10	pag. 248
A40110.25.01	10 10	pag. 248
A40110.25.02	10 10	pag. 248
A40110.25.03	10 10	pag. 248
A40110.25.04	10 10	pag. 248
A40110.25.05	10 10	pag. 248
A40110.25.06	10 10	pag. 248
A40110.25.07	10 10	pag. 248
A40110.25.08	5 5	pag. 248
A40110.25.09	5 5	pag. 248
A40110.25.10	5 5	pag. 248
A40110.40.00	10 10	pag. 248
A40110.40.01	10 10	pag. 248
A40110.40.02	10 10	pag. 248
A40110.40.03	5 5	pag. 248
A40110.40.04	5 5	pag. 248
A40110.40.05	5 5	pag. 248
A40110.40.06	5 5	pag. 248
A40110.40.07	5 5	pag. 248
A40110.40.08	5 5	pag. 248
A40110.40.09	5 5	pag. 248
A40110.40.10	5 5	pag. 248
A40111.01.01	10 10	pag. 262
A40111.01.02	10 10	pag. 262
A40111.01.03	10 10	pag. 262
A40111.01.04	10 10	pag. 262
A40111.01.05	10 10	pag. 262
A40111.01.06	10 10	pag. 262
A40111.01.07	10 10	pag. 262
A40111.06.01	10 10	pag. 262
A40111.06.02	10 10	pag. 262
A40111.06.03	10 10	pag. 262
A40111.06.04	10 10	pag. 262
A40111.06.05	10 10	pag. 262
A40112.01.01	10 10	pag. 262
A40112.01.02	10 10	pag. 262
A40112.01.03	10 10	pag. 262
A40112.01.04	10 10	pag. 262
A40112.01.05	10 10	pag. 262
A40112.01.06	10 10	pag. 262
A40113.15.04	10 10	pag. 323
A40113.15.05	10 10	pag. 323
A40113.15.06	10 10	pag. 323
A40113.15.07	10 10	pag. 323
A40113.15.08	5 5	pag. 323
A40113.15.09	5 5	pag. 323
A40113.15.10	5 5	pag. 323
A40119.15.00	10 10	pag. 322
A40119.15.00	10 10	pag. 444
A40119.15.01	10 10	pag. 322
A40119.15.01	10 10	pag. 444
A40119.15.02	10 10	pag. 322
A40119.15.02	10 10	pag. 444
A40119.15.03	10 10	pag. 322
A40119.15.03	10 10	pag. 444
A40119.15.04	10 10	pag. 322
A40119.15.04	10 10	pag. 444
A40119.15.05	10 10	pag. 322
A40119.15.05	10 10	pag. 444
A40119.15.06	10 10	pag. 322
A40119.15.06	10 10	pag. 444
A40119.15.07	10 10	pag. 322
A40119.15.07	10 10	pag. 444
A40119.15.08	10 10	pag. 322


A40119.15.08	10 10	pag. 444
A40119.15.09	10 10	pag. 322
A40119.15.09	10 10	pag. 444
A40119.15.10	10 10	pag. 322
A40119.15.10	10 10	pag. 444
A40120.25.08	5 5	pag. 250
A40120.25.09	5 5	pag. 250
A40120.25.10	5 5	pag. 250
A40120.40.08	5 5	pag. 250
A40120.40.09	5 5	pag. 250
A40120.40.10	5 5	pag. 250
A40121.40.08	10 10	pag. 324
A40121.40.08	10 10	pag. 445
A40121.40.09	10 10	pag. 324
A40121.40.09	10 10	pag. 445
A40121.40.10	10 10	pag. 324
A40121.40.10	10 10	pag. 445
A40130.15.01	20 20	pag. 249
A40130.15.02	20 20	pag. 249
A40130.15.03	20 20	pag. 249
A40130.15.04	20 20	pag. 249
A40130.15.05	10 10	pag. 249
A40130.15.06	10 10	pag. 249
A40130.25.01	10 10	pag. 249
A40130.25.02	10 10	pag. 249
A40130.25.03	10 10	pag. 249
A40130.25.04	10 10	pag. 249
A40130.25.05	5 5	pag. 249
A40130.25.06	5 5	pag. 249
A40130.40.01	10 10	pag. 249
A40130.40.02	10 10	pag. 249
A40130.40.03	10 10	pag. 249
A40130.40.04	10 10	pag. 249
A40130.40.05	5 5	pag. 249
A40130.40.06	5 5	pag. 249
A40138.01.01	20 20	pag. 284
A40138.01.02	20 100	pag. 285
A40138.06.02	20 100	pag. 285
A40158.00.01	20 20	pag. 255
A40158.00.01	20 20	pag. 263
A40158.00.02	20 20	pag. 255
A40158.00.02	20 20	pag. 263
A40343.00.01	20 400	pag. 218
A40402.15.01	20 20	pag. 253
A40402.15.02	20 20	pag. 253
A40402.15.03	20 20	pag. 253
A40402.15.04	20 20	pag. 253
A40402.15.05	20 20	pag. 253
A40402.15.06	20 20	pag. 253
A40402.15.07	20 20	pag. 253
A40402.15.08	10 10	pag. 253
A40402.15.09	10 10	pag. 253
A40402.15.10	10 10	pag. 253
A40402.15.11	10 10	pag. 253
A40402.25.01	10 10	pag. 253
A40402.25.02	10 10	pag. 253
A40402.25.03	10 10	pag. 253
A40402.25.04	10 10	pag. 253
A40402.25.05	10 10	pag. 253
A40402.25.06	10 10	pag. 253
A40402.25.07	10 10	pag. 253
A40402.25.08	5 5	pag. 253
A40402.25.09	5 5	pag. 253
A40402.25.10	5 5	pag. 253
A40402.25.11	5 5	pag. 253
A40402.40.01	10 10	pag. 253

A40402.40.02	10 10	pag. 253
A40402.40.03	10 10	pag. 253
A40402.40.04	10 10	pag. 253
A40402.40.05	10 10	pag. 253
A40402.40.06	10 10	pag. 253
A40402.40.07	10 10	pag. 253
A40402.40.08	5 5	pag. 253
A40402.40.09	5 5	pag. 253
A40402.40.10	5 5	pag. 253
A40402.40.11	5 5	pag. 253
A40403.00.01	50 1000	pag. 253
A40403.00.01	50 1000	pag. 255
A40403.00.01	50 1000	pag. 256
A40404.15.03	10 10	pag. 256
A40404.15.08	10 10	pag. 256
A40404.25.03	10 10	pag. 256
A40404.25.08	5 5	pag. 256
A40404.40.03	10 10	pag. 256
A40404.40.08	5 5	pag. 256
A40406.15.01	20 20	pag. 255
A40406.15.02	20 20	pag. 255
A40406.15.03	20 20	pag. 255
A40406.15.04	20 20	pag. 255
A40406.15.05	20 20	pag. 255
A40406.15.06	10 10	pag. 255
A40406.25.01	10 10	pag. 255
A40406.25.02	10 10	pag. 255
A40406.25.03	10 10	pag. 255
A40406.25.04	10 10	pag. 255
A40406.25.05	10 10	pag. 255
A40406.25.06	5 5	pag. 255
A40406.40.02	10 10	pag. 255
A40406.40.03	10 10	pag. 255
A40406.40.04	10 10	pag. 255
A40406.40.05	10 10	pag. 255
A40406.40.06	5 5	pag. 255
A40457.25.09	10 10	pag. 216
A40457.25.10	10 10	pag. 216
A40457.30.09	10 10	pag. 216
A40457.30.10	10 10	pag. 216
A40457.35.09	10 10	pag. 216
A40457.35.10	10 10	pag. 216
A40457.40.09	10 10	pag. 216
A40457.40.10	10 10	pag. 216
A40457.45.09	10 10	pag. 216
A40457.45.10	10 10	pag. 216
A40457.50.09	10 10	pag. 216
A40457.50.10	10 10	pag. 216
A40457.55.09	10 10	pag. 216
A40457.55.10	10 10	pag. 216
A40458.25.09	10 10	pag. 217
A40458.25.10	10 10	pag. 217
A40458.30.09	10 10	pag. 217
A40458.30.10	10 10	pag. 217
A40458.35.09	10 10	pag. 217
A40458.35.10	10 10	pag. 217
A40458.40.09	10 10	pag. 217
A40458.40.10	10 10	pag. 217
A40458.45.10	10 10	pag. 217
A40458.50.10	10 10	pag. 217
A40458.55.09	10 10	pag. 217
A40458.55.10	10 10	pag. 217
A40471.00.01	50 500	pag. 56
A40471.00.01	50 500	pag. 257
A40481.00.01	20 20	pag. 251
A40481.00.02	20 20	pag. 251

Code 			Code 			Code 		
A40481.00.03	20 20	pag. 251	A40489.15.01	20 20	pag. 254	A421xx.xx.02	1 10	pag. 265
A40481.00.04	20 20	pag. 215	A40489.15.02	20 20	pag. 254	A421xx.xx.03	1 10	pag. 261
A40481.00.04	20 20	pag. 217	A40489.15.03	20 20	pag. 254	A421xx.xx.03	1 10	pag. 265
A40481.00.04	20 20	pag. 251	A40489.15.04	20 20	pag. 254	A421xx.xx.04	1 10	pag. 261
A40481.00.04	20 20	pag. 257	A40489.15.05	20 20	pag. 254	A421xx.xx.04	1 10	pag. 265
A40481.00.05	20 20	pag. 257	A40489.15.06	20 20	pag. 254	A42320.24.00	20 200	pag. 269
A40481.00.13	20 20	pag. 215	A40489.15.07	20 20	pag. 254	A42320.26.00	20 200	pag. 269
A40481.00.13	20 20	pag. 217	A40489.15.08	10 10	pag. 254	A42320.28.00	20 100	pag. 269
A40481.00.13	20 20	pag. 218	A40489.15.09	10 10	pag. 254	A42320.34.00	20 200	pag. 269
A40484.00.01	20 200	pag. 257	A40489.15.10	10 10	pag. 254	A42320.36.00	20 200	pag. 269
A40485.00.01	20 200	pag. 257	A40489.15.11	10 10	pag. 254	A42320.38.00	20 100	pag. 269
A40486.00.01	20 200	pag. 217	A40901.00.01	20 20	pag. 325	A42320.46.00	20 100	pag. 269
A40486.00.01	20 200	pag. 215	A40901.00.02	20 20	pag. 327	A42320.48.00	20 100	pag. 269
A40486.00.01	20 200	pag. 218	A40901.00.03	20 20	pag. 325	A42321.24.00	1 50	pag. 267
A40486.00.01	20 200	pag. 254	A40906.00.01	50 300	pag. 248	A42321.34.00	1 50	pag. 267
A40486.00.01	20 200	pag. 257	A40906.00.01	50 300	pag. 444	A42321.36.00	1 50	pag. 267
A40486.00.02	20 200	pag. 254	A40907.00.00	50 50	pag. 283	A42454.35.10	5 5	pag. 216
A40486.00.02	20 200	pag. 215	● A40907.CR.01	50 50	pag. 283	A42454.40.10	5 5	pag. 216
A40486.00.02	20 200	pag. 218	● A40907.CR.02	50 50	pag. 283	A42454.45.09	5 5	pag. 216
A40486.00.02	20 200	pag. 217	A40909.00.02	20 20	pag. 325	A42454.45.10	5 5	pag. 216
A40486.00.02	20 200	pag. 257	A40909.00.03	20 20	pag. 325	A42454.55.10	5 5	pag. 216
A40487.00.01	20 200	pag. 217	● A40911.18.13	50 50	pag. 283	A42511.01.00	10 10	pag. 262
A40487.00.01	20 200	pag. 257	● A40911.20.13	50 50	pag. 283	A42511.01.01	10 10	pag. 262
A40487.00.01	20 200	pag. 254	A41009.00.02	20 20	pag. 326	A42511.01.02	10 10	pag. 262
A40487.00.01	20 200	pag. 292	A41009.00.04	20 20	pag. 326	A42511.06.00	10 10	pag. 262
A40487.00.01	20 200	pag. 218	A41009.00.08	20 20	pag. 326	A42511.06.01	10 10	pag. 262
A40487.00.01	20 200	pag. 215	A41009.00.10	20 20	pag. 326	A42511.06.02	10 10	pag. 262
A40487.00.01	20 200	pag. 329	A41009.00.11	20 20	pag. 326	A42521.24.00	10 10	pag. 264
A40487.00.02	20 200	pag. 217	A41011.00.04	20 20	pag. 259	A42521.24.01	10 10	pag. 264
A40487.00.02	20 200	pag. 257	A41011.00.08	20 20	pag. 259	A42521.24.02	10 10	pag. 264
A40487.00.02	20 200	pag. 215	A41020.00.01	20 20	pag. 326	A42521.26.00	10 10	pag. 264
A40487.00.02	20 200	pag. 254	A41117.00.02	20 200	pag. 222	A42521.26.01	10 10	pag. 264
A40487.00.02	20 200	pag. 218	A41117.00.04	50 50	pag. 222	A42521.26.02	10 10	pag. 264
A40487.00.02	20 200	pag. 292	A41117.00.42	5 50	pag. 222	A42521.28.00	10 10	pag. 264
A40487.00.02	20 200	pag. 329	A41118.00.02	20 200	pag. 222	A42521.28.01	10 10	pag. 264
A40488.15.01	20 20	pag. 254	A41118.00.42	5 50	pag. 222	A42521.28.02	10 10	pag. 264
A40488.15.02	20 20	pag. 254	A41121.00.40	5 45	pag. 222	A42521.34.00	10 10	pag. 264
A40488.15.03	20 20	pag. 254	A41121.00.44	5 45	pag. 222	A42521.34.01	10 10	pag. 264
A40488.15.04	20 20	pag. 254	A41121.00.45	20 20	pag. 222	A42521.34.02	10 10	pag. 264
A40488.15.05	20 20	pag. 254	A41122.00.40	5 45	pag. 222	A42521.36.00	10 10	pag. 264
A40488.15.06	20 20	pag. 254	A41122.00.44	5 45	pag. 222	A42521.36.01	10 10	pag. 264
A40488.15.07	20 20	pag. 254	A41220.00.03	10 10	pag. 328	A42521.36.02	10 10	pag. 264
A40488.15.08	10 10	pag. 254	A41220.00.04	10 10	pag. 328	A42521.38.00	10 10	pag. 264
A40488.15.09	10 10	pag. 254	A41697.06.13	50 250	pag. 221	A42521.38.01	10 10	pag. 264
A40488.15.10	10 10	pag. 254	A41697.06.13	50 250	pag. 221	A42521.38.02	10 10	pag. 264
A40488.15.11	10 10	pag. 254	A41697.06.13	50 250	pag. 227	A42521.46.00	10 10	pag. 264
A40488.25.02	10 10	pag. 254	A41697.06.13	50 250	pag. 300	A42521.46.01	10 10	pag. 264
A40488.25.03	10 10	pag. 254	A42011.00.01	10 10	pag. 260	A42521.46.02	10 10	pag. 264
A40488.25.04	10 10	pag. 254	A42011.00.01	10 10	pag. 264	A42521.48.00	10 10	pag. 264
A40488.25.05	10 10	pag. 254	A42011.00.02	10 10	pag. 260	A42521.48.01	10 10	pag. 264
A40488.25.06	10 10	pag. 254	A42011.00.02	10 10	pag. 264	A42521.48.02	10 10	pag. 264
A40488.25.07	10 10	pag. 254	A42011.00.03	10 10	pag. 260	A42531.24.00	10 10	pag. 260
A40488.25.08	5 5	pag. 254	A42011.00.03	10 10	pag. 264	A42531.24.01	10 10	pag. 260
A40488.25.09	5 5	pag. 254	A42011.00.04	10 10	pag. 260	A42531.24.02	10 10	pag. 260
A40488.25.10	5 5	pag. 254	A42011.00.04	10 10	pag. 264	A42531.26.00	10 10	pag. 260
A40488.25.11	5 5	pag. 254	A42011.00.05	10 10	pag. 260	A42531.26.01	10 10	pag. 260
A40488.40.02	10 10	pag. 254	A42011.00.05	10 10	pag. 264	A42531.26.02	10 10	pag. 260
A40488.40.03	10 10	pag. 254	A42011.00.06	10 10	pag. 260	A42531.34.00	10 10	pag. 260
A40488.40.04	10 10	pag. 254	A42011.00.06	10 10	pag. 264	A42531.34.01	10 10	pag. 260
A40488.40.05	10 10	pag. 254	A42032.00.04	10 10	pag. 327	A42531.34.02	10 10	pag. 260
A40488.40.06	10 10	pag. 254	A42032.00.05	10 10	pag. 327	A42531.36.00	10 10	pag. 260
A40488.40.07	10 10	pag. 254	A42032.00.06	10 10	pag. 327	A42531.36.00	10 10	pag. 585
A40488.40.08	5 5	pag. 254	A42032.00.07	10 10	pag. 327	A42531.36.01	10 10	pag. 260
A40488.40.09	5 5	pag. 254	A421xx.xx.01	1 10	pag. 261	A42531.36.01	10 10	pag. 585
A40488.40.10	5 5	pag. 254	A421xx.xx.01	1 10	pag. 265	A42531.36.02	10 10	pag. 260
A40488.40.11	5 5	pag. 254	A421xx.xx.02	1 10	pag. 261	A42531.36.02	10 10	pag. 585

Code  







A43021.07.00 20 200 pag. 269
A43021.07.03 20 200 pag. 269
A43022.07.00 20 200 pag. 269
A43023.07.00 20 200 pag. 269
A43030.24.00 1 50 pag. 267
A43030.26.00 1 50 pag. 267
A43031.24.00 20 100 pag. 267
A43031.26.00 20 100 pag. 267
A43032.24.00 20 100 pag. 267
A43033.24.00 20 100 pag. 267
A43034.24.00 1 50 pag. 267
A43222.07.03 10 100 pag. 269
A43232.24.00 10 100 pag. 267
A43232.26.00 10 100 pag. 267
A44001.07.04 20 200 pag. 274
A44026.24.01 20 20 pag. 275
A44026.24.02 20 20 pag. 275
A44026.26.01 20 20 pag. 275
A44026.26.02 20 20 pag. 275
A44026.28.01 20 20 pag. 275
A44026.28.02 20 20 pag. 275
A44026.34.01 20 20 pag. 275
A44026.34.02 20 20 pag. 275
A44026.36.01 20 20 pag. 275
A44026.36.02 20 20 pag. 275
A44026.38.01 20 20 pag. 275
A44026.38.02 20 20 pag. 275
A44026.46.01 20 20 pag. 275
A44026.46.02 20 20 pag. 275
A44026.48.01 20 20 pag. 275
A44026.48.02 20 20 pag. 275
A44030.24.01 20 20 pag. 270
A44030.24.02 20 20 pag. 270
A44030.26.01 20 20 pag. 270
A44030.26.02 20 20 pag. 270
A44031.24.01 1 50 pag. 270
A44031.24.02 1 50 pag. 270
A44031.34.01 1 50 pag. 270
A44031.34.02 1 50 pag. 270
A44031.36.01 1 50 pag. 270
A44031.36.02 1 50 pag. 270
A44034.24.01 20 20 pag. 271
A44034.24.02 20 20 pag. 271
A44034.26.01 20 20 pag. 271
A44034.26.02 20 20 pag. 271
A44035.24.01 1 20 pag. 271
A44035.24.02 1 20 pag. 271
A44035.34.01 20 20 pag. 271
A44035.34.02 20 20 pag. 271
A44035.36.01 20 20 pag. 271
A44035.36.02 20 20 pag. 271
A44036.24.01 20 20 pag. 270
A44036.24.02 20 20 pag. 270
A44037.24.01 20 20 pag. 270
A44037.24.02 20 20 pag. 270
A44121.26.01 20 20 pag. 275
A44121.26.02 20 20 pag. 275
A44121.34.01 20 20 pag. 275
A44121.34.02 20 20 pag. 275
A44121.36.01 20 20 pag. 275
A44121.36.02 20 20 pag. 275
A44121.38.01 20 20 pag. 275
A44121.38.02 20 20 pag. 275
A44130.24.01 20 20 pag. 272
A44130.24.02 20 20 pag. 272
A44130.26.01 20 20 pag. 272

Code  

A44130.26.02 20 20 pag. 272
A44131.34.01 20 20 pag. 272
A44131.34.02 20 20 pag. 272
A44131.36.01 20 20 pag. 272
A44131.36.02 20 20 pag. 272
A44134.24.01 20 20 pag. 272
A44134.24.02 20 20 pag. 272
A44134.26.01 20 20 pag. 272
A44134.26.02 20 20 pag. 272
A44134.34.01 20 20 pag. 272
A44134.34.02 20 20 pag. 272
A44134.36.01 20 20 pag. 272
A44134.36.02 20 20 pag. 272
A44136.24.01 20 20 pag. 271
A44136.24.02 20 20 pag. 271
A44137.24.01 20 20 pag. 271
A44137.24.02 20 20 pag. 271
A44201.07.04 20 100 pag. 274
A44201.07.05 20 200 pag. 274
A44201.07.13 20 100 pag. 274
A44203.07.01 20 100 pag. 274
A44203.07.02 20 100 pag. 274
A44203.07.09 20 100 pag. 274
A44203.07.10 20 100 pag. 274
A44203.07.11 20 100 pag. 274
A44203.07.12 20 100 pag. 274
A44204.24.01 1 50 pag. 270
A44204.24.02 1 50 pag. 270
A44204.24.02 1 50 pag. 271
A44204.26.01 1 50 pag. 270
A44204.26.02 1 50 pag. 270
A44206.24.01 1 50 pag. 270
A44206.24.02 1 50 pag. 270
A44321.07.00 20 20 pag. 285
A44331.05.00 20 100 pag. 284
A44441.24.00 20 20 pag. 284
A44441.26.00 20 20 pag. 284
A44441.34.00 20 20 pag. 284
A44441.36.00 20 20 pag. 284
A44442.24.00 20 20 pag. 285
A44442.26.00 20 20 pag. 285
A44442.28.00 20 20 pag. 285
A44442.34.00 20 20 pag. 285
A44442.36.00 20 20 pag. 285
A44442.38.00 20 20 pag. 285
A44442.46.00 20 20 pag. 285
A44442.48.00 20 20 pag. 285
A44805.01.00 20 20 pag. 286
A44805.03.00 20 20 pag. 286
A44805.04.00 20 20 pag. 286
A44805.05.00 20 20 pag. 286
A44805.xx.00 20 20 pag. 286
A44806.01.00 20 20 pag. 330
A44806.03.00 20 20 pag. 330
A44806.05.00 20 20 pag. 330
A44807.04.00 20 20 pag. 286
A44807.05.00 20 20 pag. 286
A45012.00.01 10 10 pag. 327
A45012.00.02 10 10 pag. 327
A45012.00.03 10 10 pag. 327
A45012.00.04 10 10 pag. 327
A45012.00.05 10 10 pag. 327
A45012.00.06 10 10 pag. 327
A45013.00.06 10 10 pag. 327
A45015.00.01 1 10 pag. 335

Code  

A45015.00.02 1 10 pag. 335
A45023.00.01 10 10 pag. 327
A45023.00.02 10 10 pag. 327
A45023.00.03 10 10 pag. 327
A45023.00.04 10 10 pag. 327
A45023.00.05 10 10 pag. 327
A45023.00.06 10 10 pag. 327
A45023.00.11 10 10 pag. 327
A46110.00.02 20 20 pag. 292
A46110.00.03 20 20 pag. 292
A46110.00.04 20 20 pag. 292
A46110.00.05 20 20 pag. 292
A46110.00.06 20 20 pag. 292
A46110.00.07 20 20 pag. 292
A46110.00.08 10 10 pag. 292
A46110.00.09 10 10 pag. 292
A46110.00.10 10 10 pag. 292
A46112.00.02 20 20 pag. 329
A46112.00.03 20 20 pag. 329
A46112.00.04 20 20 pag. 329
A46112.00.05 20 20 pag. 329
A46112.00.06 20 20 pag. 329
A46112.00.07 20 20 pag. 329
A46112.00.08 10 10 pag. 329
A46112.00.09 10 10 pag. 329
A46112.00.10 10 10 pag. 329
A46121.02.02 10 10 pag. 296
A46121.02.03 10 10 pag. 296
A46121.02.04 10 10 pag. 296
A46121.02.05 10 10 pag. 296
A46121.02.06 10 10 pag. 296
A46121.02.07 10 10 pag. 296
A46121.02.08 10 10 pag. 296
A46121.02.09 10 10 pag. 296
A46121.02.10 10 10 pag. 296
A46122.02.02 10 10 pag. 296
A46122.02.03 10 10 pag. 296
A46122.02.04 10 10 pag. 296
A46122.02.05 10 10 pag. 296
A46122.02.06 10 10 pag. 296
A46122.02.07 10 10 pag. 296
A46122.02.08 10 10 pag. 296
A46122.02.09 10 10 pag. 296
A46122.02.10 10 10 pag. 296
A46905.00.02 20 20 pag. 292
A46906.00.02 20 20 pag. 329
A46910.00.02 20 20 pag. 326
A46910.00.02 20 20 pag. 448
A46910.00.03 20 20 pag. 326
A46911.00.00 50 500 pag. 329
A46912.00.00 20 200 pag. 329
A48010.01.38 20 20 pag. 301
A48010.01.40 20 200 pag. 331
A48010.01.40 20 200 pag. 450
A48010.01.45 1 10 pag. 335
A48010.01.46 1 10 pag. 336
● A48010.01.54 50 500 pag. 221
● A48010.01.54 50 500 pag. 300
A48010.05.01 50 250 pag. 299
A48010.05.02 50 500 pag. 441
A48010.05.02 50 500 pag. 297
A48010.05.02 50 500 pag. 428
A48010.05.02 50 500 pag. 362
A48010.05.02 50 500 pag. 220
A48010.05.02 50 500 pag. 450

Code				Code				Code			
A48010.05.24	50	300	pag. 259	A48012.19.33	50	500	pag. 298	B00502.01.06	25	300	pag. 74
A48010.05.28	50	500	pag. 300	● A48012.DC.01	50	250	pag. 299	B00502.02.02	25	300	pag. 74
A48010.05.38	20	20	pag. 301	● A48012.DC.02	50	500	pag. 202	B00502.02.03	25	300	pag. 74
A48010.05.44	50	50	pag. 299	● A48012.DC.02	50	500	pag. 220	B00502.02.06	25	300	pag. 74
● A48010.05.55	50	500	pag. 221	● A48012.DC.02	50	500	pag. 297	B00502.03.02	25	300	pag. 74
● A48010.05.55	50	500	pag. 300	● A48012.DC.02	50	500	pag. 440	B00502.03.03	25	300	pag. 74
● A48010.05.56	50	500	pag. 221	● A48012.DC.03	50	500	pag. 298	B00502.03.06	25	300	pag. 74
● A48010.05.56	50	500	pag. 300	A48012.DC.13	50	500	pag. 203	B00502.04.02	25	300	pag. 74
● A48010.05.57	50	500	pag. 221	A48012.DC.13	50	500	pag. 331	B00502.04.03	25	300	pag. 74
● A48010.05.57	50	500	pag. 300	A48012.DC.13	50	500	pag. 440	B00502.04.06	25	300	pag. 74
A48010.05.99	50	250	pag. 299	A48013.05.22	50	250	pag. 203	B00502.05.02	25	300	pag. 74
A48010.06.45	1	10	pag. 335	A48013.05.22	50	250	pag. 331	B00502.05.03	25	300	pag. 74
A48010.06.46	1	10	pag. 336	A48013.05.22	50	250	pag. 441	B00502.05.06	25	300	pag. 74
A48010.09.03	50	500	pag. 298	A48013.05.22	50	250	pag. 451	B00502.06.02	25	300	pag. 74
A48010.09.03	50	500	pag. 329	A48013.19.22	50	250	pag. 331	B00502.06.03	25	300	pag. 74
A48010.11.38	20	20	pag. 301	A48013.xx.22	50	500	pag. 331	B00502.06.06	25	300	pag. 74
A48010.19.03	50	500	pag. 298	A48013.xx.22	50	500	pag. 441	B00502.07.02	25	300	pag. 74
A48010.CR.01	50	250	pag. 299	A48013.xx.22	50	500	pag. 451	B00502.07.03	25	300	pag. 74
A48010.CR.02	50	500	pag. 202	A48037.00.24	50	250	pag. 259	B00502.07.06	25	300	pag. 74
A48010.CR.02	50	500	pag. 220	A49042.34.05	1	1	pag. 276	B00502.08.02	25	300	pag. 74
A48010.CR.02	50	500	pag. 450	A49043.34.05	1	1	pag. 276	B00502.08.03	25	300	pag. 74
A48010.CR.02	50	500	pag. 441	A49044.34.05	1	1	pag. 276	B00502.08.06	25	300	pag. 74
A48010.CR.02	50	500	pag. 428	A49045.34.05	1	1	pag. 276	B00502.09.02	25	300	pag. 74
A48010.CR.02	50	500	pag. 297	A49048.34.05	1	1	pag. 276	B00502.09.03	25	300	pag. 74
A48010.CR.02	50	500	pag. 451	A49049.34.05	1	1	pag. 276	B00502.09.06	25	300	pag. 74
A48010.CR.03	50	500	pag. 298	A49062.24.04	1	1	pag. 276	B00502.10.02	25	300	pag. 74
A48010.CR.05	50	500	pag. 221	A49062.34.05	1	1	pag. 276	B00502.10.03	25	300	pag. 74
A48010.CR.05	50	500	pag. 300	A49063.24.04	1	1	pag. 276	B00502.10.06	25	300	pag. 74
A48010.CR.13	50	300	pag. 331	A49063.34.05	1	1	pag. 276	B00502.11.02	25	300	pag. 74
A48010.CR.13	50	300	pag. 441	A49064.24.04	1	1	pag. 276	B00502.11.03	25	300	pag. 74
A48010.CR.13	50	300	pag. 203	A49064.34.05	1	1	pag. 276	B00502.11.06	25	300	pag. 74
A48010.CR.13	50	300	pag. 451	A49065.24.04	1	1	pag. 276	B00502.12.02	25	300	pag. 74
A48010.CR.16	20	20	pag. 301	A49065.34.05	1	1	pag. 276	B00502.12.03	25	300	pag. 74
A48010.CR.18	50	250	pag. 302	A49068.24.04	1	1	pag. 276	B00502.12.06	25	300	pag. 74
A48010.CR.48	50	500	pag. 221	A49068.34.05	1	1	pag. 276	B00502.13.02	25	300	pag. 74
A48010.CR.48	50	500	pag. 300	A49069.24.04	1	1	pag. 276	B00502.13.03	25	300	pag. 74
● A48010.DC.18	50	250	pag. 302	A49069.34.05	1	1	pag. 276	B00502.13.06	25	300	pag. 74
● A48010.DC.49	50	500	pag. 221	A49403.01.04	12	12	pag. 287	B00502.14.92	500	2000	pag. 75
● A48010.DC.49	50	500	pag. 300	A49403.02.04	12	12	pag. 287	B00502.14.95	500	2000	pag. 75
A48010.xx.03	50	500	pag. 451	A49403.03.04	12	12	pag. 288	B00502.15.01	200	2000	pag. 75
A48011.01.03	50	500	pag. 298	A49403.04.04	12	12	pag. 287	B00502.15.02	200	2000	pag. 75
A48011.01.03	50	500	pag. 451	A49403.05.04	12	12	pag. 289	B00502.15.03	200	2000	pag. 75
A48011.03.13	50	500	pag. 203	A49403.06.04	12	12	pag. 288	B00502.16.02	25	300	pag. 74
A48011.04.13	50	500	pag. 203	A49403.98.00	500	500	pag. 289	B00502.16.03	25	300	pag. 74
A48011.05.03	50	500	pag. 298	A49403.99.00	500	500	pag. 289	B00502.16.06	25	300	pag. 74
A48011.05.03	50	500	pag. 451	Axxxxx.xx.01	20	20	pag. 299	B00502.17.02	10	10	pag. 73
A48011.05.13	50	500	pag. 203	Axxxxx.xx.01	20	20	pag. 614	B00502.17.03	10	10	pag. 73
A48011.11.03	50	500	pag. 298	Axxxxx.xx.02	1	1	pag. 428	B00502.17.06	10	10	pag. 73
A48011.19.33	50	500	pag. 298	Axxxxx.xx.02	1	1	pag. 297	B00502.17.34	10	10	pag. 73
● A48011.DC.01	50	250	pag. 299	Axxxxx.xx.02	1	1	pag. 441	B00502.18.02	10	150	pag. 19
● A48011.DC.02	50	500	pag. 202	Axxxxx.xx.02	1	1	pag. 220	B00502.18.02	10	150	pag. 73
● A48011.DC.02	50	500	pag. 220	Axxxxx.xx.02	1	1	pag. 559	B00502.18.03	10	150	pag. 19
● A48011.DC.02	50	500	pag. 297	Axxxxx.xx.02	1	1	pag. 451	B00502.18.03	10	150	pag. 73
● A48011.DC.02	50	500	pag. 440	Axxxxx.xx.02	1	1	pag. 611	B00502.18.06	10	150	pag. 19
● A48011.DC.03	50	500	pag. 298	Axxxxx.xx.03	50	500	pag. 298	B00502.18.06	10	150	pag. 73
A48011.DC.13	50	500	pag. 203	Axxxxx.xx.03	50	500	pag. 613	B00502.18.34	10	150	pag. 19
A48011.DC.13	50	500	pag. 331	Axxxxx.xx.05	1	1	pag. 221	B00502.18.34	10	150	pag. 73
A48011.DC.13	50	500	pag. 440	Axxxxx.xx.05	1	1	pag. 300	B00502.21.02	1	1	pag. 74
A48012.01.03	50	500	pag. 298	Axxxxx.xx.05	1	1	pag. 560	B00502.21.03	1	1	pag. 74
A48012.01.03	50	500	pag. 451	Axxxxx.xx.05	1	1	pag. 615	B00502.21.06	1	1	pag. 74
A48012.03.13	50	500	pag. 203	Axxxxx.xx.23	1	1	pag. 221	B00503.00.02	25	300	pag. 74
A48012.04.13	50	500	pag. 203	Axxxxx.xx.23	1	1	pag. 300	B00503.00.03	25	300	pag. 74
A48012.05.03	50	500	pag. 298	Axxxxx.xx.23	1	1	pag. 560	B00503.00.06	25	300	pag. 74
A48012.05.03	50	500	pag. 451	Axxxxx.xx.23	1	1	pag. 615	B00570.01.02	50	500	pag. 39
A48012.05.13	50	500	pag. 203	B00502.01.02	25	300	pag. 74	B00570.01.03	50	500	pag. 39
A48012.11.03	50	500	pag. 298	B00502.01.03	25	300	pag. 74	B00570.01.06	50	500	pag. 39

Code  

B00570.01.34 50 50 pag. 39
 B00570.02.10 25 250 pag. 39
 B00570.02.32 25 250 pag. 39
 B00570.03.01 50 500 pag. 40
 B00570.03.02 50 500 pag. 40
 B00570.03.03 50 500 pag. 40
 B00570.03.06 50 500 pag. 40
 B00570.05.01 50 500 pag. 40
 B00570.05.02 50 500 pag. 40
 B00570.05.03 50 500 pag. 40
 B00570.05.06 50 500 pag. 40
 B00570.06.10 25 250 pag. 40
 B00570.07.01 50 500 pag. 40
 B00570.07.02 50 500 pag. 40
 B00570.07.03 50 500 pag. 40
 B00570.07.06 50 500 pag. 40
 B00570.07.34 50 500 pag. 40
 B00570.08.10 25 250 pag. 40
 B00570.09.02 50 500 pag. 39
 B00570.09.03 50 500 pag. 39
 B00570.09.06 50 500 pag. 39
 B00570.09.34 50 500 pag. 39
 B00570.10.10 25 250 pag. 39
 B00570.20.02 50 500 pag. 39
 B00570.20.03 50 500 pag. 39
 B00570.20.06 50 500 pag. 39
 B00570.20.34 50 500 pag. 39
 B00570.21.10 25 250 pag. 39
 B00571.25.02 50 50 pag. 37
 B00571.25.03 50 50 pag. 37
 B00571.30.02 50 50 pag. 37
 B00571.30.03 50 50 pag. 37
 B00571.35.02 50 50 pag. 37
 B00571.35.03 50 50 pag. 37
 B00571.40.02 50 50 pag. 37
 B00571.40.03 50 50 pag. 37
 B00571.40.06 50 50 pag. 37
 B00571.40.34 50 50 pag. 37
 B00571.45.02 50 50 pag. 37
 B00571.45.03 50 50 pag. 37
 B00571.45.34 50 50 pag. 37
 B00571.50.02 50 50 pag. 37
 B00571.50.03 50 50 pag. 37
 B00571.50.06 50 50 pag. 37
 B00571.50.34 50 50 pag. 37
 B00571.60.02 50 50 pag. 37
 B00571.60.03 50 50 pag. 37
 B00571.60.06 50 50 pag. 37
 B00572.25.01 50 50 pag. 38
 B00572.25.02 50 50 pag. 38
 B00572.25.03 50 50 pag. 38
 B00572.30.01 50 50 pag. 38
 B00572.30.02 50 50 pag. 38
 B00572.30.03 50 50 pag. 38
 B00572.35.01 50 50 pag. 38
 B00572.35.02 50 50 pag. 38
 B00572.35.03 50 50 pag. 38
 B00572.35.34 50 50 pag. 38
 B00572.40.01 50 50 pag. 38
 B00572.40.02 50 50 pag. 38
 B00572.40.03 50 50 pag. 38
 B00572.40.34 50 50 pag. 38
 B00572.45.01 50 50 pag. 38
 B00572.45.02 50 50 pag. 38
 B00572.45.03 50 50 pag. 38
 B00572.45.34 50 50 pag. 38

Code  


B00572.50.01 50 50 pag. 38
 B00572.50.02 50 50 pag. 38
 B00572.50.03 50 50 pag. 38
 B00572.50.06 50 50 pag. 38
 B00572.50.34 50 50 pag. 38
 B00572.60.01 50 50 pag. 38
 B00572.60.02 50 50 pag. 38
 B00572.60.03 50 50 pag. 38
 B00572.60.06 50 50 pag. 38
 B00573.40.10 25 25 pag. 37
 B00573.45.10 25 25 pag. 37
 B00573.50.10 25 25 pag. 37
 B00573.60.10 25 25 pag. 37
 B00574.40.10 25 25 pag. 38
 B00574.45.10 25 25 pag. 38
 B00574.50.10 25 25 pag. 38
 B00574.60.10 25 25 pag. 38
 B00575.40.03 50 50 pag. 54
 B00575.40.06 50 50 pag. 54
 B00575.40.34 50 50 pag. 54
 B00575.45.03 50 50 pag. 54
 B00575.45.06 50 50 pag. 54
 B00575.45.34 50 50 pag. 54
 B00576.40.03 50 50 pag. 54
 B00576.40.06 50 50 pag. 54
 B00576.45.03 50 50 pag. 54
 B00576.45.06 50 50 pag. 54
 B00576.45.34 50 50 pag. 54
 B00577.40.10 50 50 pag. 54
 B00577.45.10 50 50 pag. 54
 B00579.50.02 50 50 pag. 37
 B00579.50.03 50 50 pag. 37
 B00579.50.06 50 50 pag. 37
 B00579.50.34 50 50 pag. 37
 B00580.50.01 50 50 pag. 38
 B00580.50.02 50 50 pag. 38
 B00580.50.03 50 50 pag. 38
 B00580.50.06 50 50 pag. 38
 B00580.50.34 50 50 pag. 38
 B00581.50.10 25 25 pag. 37
 B00582.50.10 25 25 pag. 38
 B00585.40.03 50 50 pag. 54
 B00585.40.06 50 50 pag. 54
 B00585.40.34 50 50 pag. 54
 B00585.45.03 50 50 pag. 54
 B00585.45.06 50 50 pag. 54
 B00585.45.34 50 50 pag. 54
 B00590.01.02 50 250 pag. 31
 B00590.01.03 50 250 pag. 31
 B00590.01.06 50 250 pag. 31
 B00590.01.34 50 250 pag. 31
 B00590.01.91 25 250 pag. 31
 B00590.01.93 25 250 pag. 31
 B00590.02.07 25 250 pag. 31
 B00590.02.10 25 250 pag. 31
 B00590.03.01 50 500 pag. 34
 B00590.03.02 50 500 pag. 34
 B00590.03.03 50 500 pag. 34
 B00590.03.06 50 500 pag. 34
 B00590.03.34 50 500 pag. 34
 B00590.04.10 25 250 pag. 34
 B00590.05.01 50 500 pag. 34
 B00590.05.02 50 500 pag. 34
 B00590.05.03 50 500 pag. 34
 B00590.05.06 50 500 pag. 34
 B00590.05.34 50 500 pag. 34

Code  

B00590.06.10 25 250 pag. 34
 B00590.07.02 50 500 pag. 32
 B00590.07.03 50 500 pag. 32
 B00590.07.06 50 500 pag. 32
 B00590.07.34 50 500 pag. 32
 B00590.08.10 25 250 pag. 32
 B00590.09.02 50 250 pag. 35
 B00590.09.03 50 250 pag. 46
 B00590.09.06 50 250 pag. 35
 B00590.09.06 50 250 pag. 46
 B00590.09.34 50 250 pag. 35
 B00590.10.10 25 250 pag. 35
 B00590.10.10 25 250 pag. 46
 B00590.11.02 50 250 pag. 33
 B00590.11.02 50 250 pag. 46
 B00590.11.03 50 250 pag. 33
 B00590.11.03 50 250 pag. 46
 B00590.11.04 50 250 pag. 33
 B00590.11.06 50 250 pag. 33
 B00590.11.06 50 250 pag. 46
 B00590.11.34 50 250 pag. 33
 B00590.12.10 25 250 pag. 33
 B00590.12.10 25 250 pag. 46
 B00590.14.02 25 250 pag. 34
 B00590.14.02 25 250 pag. 47
 B00590.14.03 25 250 pag. 34
 B00590.14.03 25 250 pag. 47
 B00590.14.04 25 250 pag. 34
 B00590.14.04 25 250 pag. 47
 B00590.14.06 25 250 pag. 34
 B00590.14.06 25 250 pag. 47
 B00590.14.34 25 250 pag. 34
 B00590.15.02 25 250 pag. 45
 B00590.15.03 25 250 pag. 45
 B00590.15.06 25 250 pag. 45
 B00590.15.34 25 250 pag. 45
 B00590.16.10 25 250 pag. 45
 B00590.17.02 25 250 pag. 47
 B00590.17.03 25 250 pag. 47
 B00590.17.06 25 250 pag. 47
 B00590.17.34 25 250 pag. 47
 B00590.18.10 25 250 pag. 47
 B00590.19.02 25 250 pag. 47
 B00590.19.03 25 250 pag. 47
 B00590.19.06 25 250 pag. 47
 B00590.20.10 25 250 pag. 47
 B00590.20.34 25 250 pag. 47
 B00590.21.03 25 250 pag. 46
 B00590.21.06 25 250 pag. 46
 B00590.21.34 25 250 pag. 46
 B00590.22.10 25 250 pag. 46
 B00590.25.02 50 250 pag. 32
 B00590.25.03 50 250 pag. 32
 B00590.25.06 50 250 pag. 32
 B00590.25.34 50 250 pag. 32
 B00590.26.02 50 250 pag. 50
 B00590.26.03 50 250 pag. 50
 B00590.26.34 50 250 pag. 50
 B00590.29.10 50 250 pag. 50
 B00590.30.02 25 250 pag. 31
 B00590.30.02 25 250 pag. 45
 B00590.30.03 25 250 pag. 31
 B00590.30.03 25 250 pag. 45
 B00590.30.06 25 250 pag. 31
 B00590.30.06 25 250 pag. 45

Code  


B00590.30.34 25 250 pag. 45
 B00590.35.02 50 250 pag. 36
 B00590.35.03 50 250 pag. 36
 B00590.35.06 50 250 pag. 36
 B00590.35.34 50 250 pag. 36
 B00590.36.02 50 250 pag. 36
 B00590.36.03 50 250 pag. 36
 B00590.36.06 50 250 pag. 36
 B00590.36.34 50 250 pag. 36
 B00590.37.02 50 250 pag. 33
 B00590.37.03 50 250 pag. 33
 B00590.37.06 50 250 pag. 33
 B00590.40.02 50 250 pag. 35
 B00590.40.03 50 250 pag. 35
 B00590.40.06 50 250 pag. 35
 B00590.40.34 50 250 pag. 35
 B00590.42.02 25 250 pag. 31
 B00590.42.03 25 250 pag. 31
 B00590.42.04 25 250 pag. 31
 B00590.42.06 25 250 pag. 31
 B00590.42.34 25 250 pag. 31
 B00590.43.02 25 250 pag. 45
 B00590.43.03 25 250 pag. 45
 B00590.43.04 25 250 pag. 45
 B00590.43.06 25 250 pag. 45
 B00590.43.15 25 250 pag. 45
 B00590.43.34 25 250 pag. 45
 B00590.45.02 50 250 pag. 33
 B00590.58.02 50 250 pag. 32
 B00590.58.03 50 250 pag. 32
 B00590.58.06 50 250 pag. 32
 B00590.58.34 50 250 pag. 32
 B00590.59.02 50 250 pag. 35
 B00590.59.03 50 250 pag. 35
 B00590.59.34 50 250 pag. 35
 B00590.74.03 50 250 pag. 53
 B00590.74.06 50 250 pag. 53
 B00591.25.02 50 50 pag. 27
 B00591.25.03 50 50 pag. 27
 B00591.25.34 50 50 pag. 27
 B00591.30.02 50 50 pag. 27
 B00591.30.03 50 50 pag. 27
 B00591.35.02 50 50 pag. 27
 B00591.35.03 50 50 pag. 27
 B00591.40.02 50 50 pag. 27
 B00591.40.03 50 50 pag. 27
 B00591.40.06 50 50 pag. 27
 B00591.40.34 50 50 pag. 27
 B00591.45.02 50 50 pag. 27
 B00591.45.03 50 50 pag. 27
 B00591.45.06 50 50 pag. 27
 B00591.45.34 50 50 pag. 27
 B00591.50.02 50 50 pag. 27
 B00591.50.03 50 50 pag. 27
 B00591.50.06 50 50 pag. 27
 B00591.50.34 50 50 pag. 27
 B00591.50.91 25 25 pag. 27
 B00591.50.93 25 25 pag. 27
 B00591.60.02 50 50 pag. 27
 B00591.60.03 50 50 pag. 27
 B00591.60.06 50 50 pag. 27
 B00591.60.34 50 50 pag. 27
 B00592.25.01 50 50 pag. 30
 B00592.25.02 50 50 pag. 30
 B00592.25.03 50 50 pag. 30
 B00592.30.01 50 50 pag. 30

Code  

B00592.30.02 50 50 pag. 30
 B00592.30.03 50 50 pag. 30
 B00592.35.01 50 50 pag. 30
 B00592.35.02 50 50 pag. 30
 B00592.35.03 50 50 pag. 30
 B00592.40.01 50 50 pag. 30
 B00592.40.02 50 50 pag. 30
 B00592.40.03 50 50 pag. 30
 B00592.40.06 50 50 pag. 30
 B00592.40.34 50 50 pag. 30
 B00592.45.01 50 50 pag. 30
 B00592.45.02 50 50 pag. 30
 B00592.45.03 50 50 pag. 30
 B00592.45.06 50 50 pag. 30
 B00592.45.34 50 50 pag. 30
 B00592.50.01 50 50 pag. 30
 B00592.50.02 50 50 pag. 30
 B00592.50.03 50 50 pag. 30
 B00592.50.06 50 50 pag. 30
 B00592.50.34 50 50 pag. 30
 B00592.60.01 50 50 pag. 30
 B00592.60.02 50 50 pag. 30
 B00592.60.03 50 50 pag. 30
 B00592.60.06 50 50 pag. 30
 B00593.40.10 25 25 pag. 27
 B00593.45.10 25 25 pag. 27
 B00593.50.10 25 25 pag. 27
 B00593.60.10 25 25 pag. 27
 B00594.40.10 25 25 pag. 30
 B00594.45.10 25 25 pag. 30
 B00594.50.10 25 25 pag. 30
 B00594.60.10 25 25 pag. 30
 B00595.50.02 50 50 pag. 28
 B00595.50.03 50 50 pag. 28
 B00595.50.06 50 50 pag. 28
 B00595.50.34 50 50 pag. 28
 B00595.60.03 50 50 pag. 28
 B00595.60.06 50 50 pag. 28
 B00596.50.02 50 50 pag. 30
 B00596.50.03 50 50 pag. 30
 B00596.50.06 50 50 pag. 30
 B00597.40.02 50 50 pag. 27
 B00597.40.03 50 50 pag. 27
 B00597.40.04 50 50 pag. 27
 B00597.40.06 50 50 pag. 27
 B00597.40.34 50 50 pag. 27
 B00597.45.02 50 50 pag. 27
 B00597.45.03 50 50 pag. 27
 B00597.45.04 50 50 pag. 27
 B00597.45.34 50 50 pag. 27
 B00597.50.02 50 50 pag. 27
 B00597.50.03 50 50 pag. 27
 B00597.50.04 50 50 pag. 27
 B00597.50.06 50 50 pag. 27
 B00597.50.34 50 50 pag. 27
 B00597.60.02 50 50 pag. 27
 B00597.60.04 50 50 pag. 27
 B00597.60.06 50 50 pag. 27
 B00598.50.02 50 50 pag. 28
 B00598.50.03 50 50 pag. 28
 B00598.50.04 50 50 pag. 28
 B00598.50.06 50 50 pag. 28
 B00598.50.34 50 50 pag. 28
 B00599.50.10 25 25 pag. 28
 B00700.03.02 25 250 pag. 72
 B00700.03.03 25 250 pag. 72

Code  

B00700.03.06 25 250 pag. 72
 B00700.06.04 25 250 pag. 70
 B00700.07.02 25 250 pag. 72
 B00700.07.03 25 250 pag. 72
 B00700.07.06 25 250 pag. 72
 B00700.07.34 25 250 pag. 72
 B00700.09.02 25 250 pag. 72
 B00700.09.03 25 250 pag. 72
 B00700.09.34 25 250 pag. 72
 B00700.17.02 25 250 pag. 71
 B00700.17.03 25 250 pag. 71
 B00700.17.06 25 250 pag. 71
 B00700.17.12 25 250 pag. 71
 B00700.17.23 25 250 pag. 71
 B00700.17.34 25 250 pag. 71
 B00700.19.02 10 10 pag. 71
 B00700.19.03 10 10 pag. 71
 B00700.19.06 10 10 pag. 71
 B00700.19.12 10 10 pag. 71
 B00700.19.23 10 10 pag. 71
 B00700.19.34 10 10 pag. 71
 B00700.20.93 25 125 pag. 71
 B00700.30.02 20 20 pag. 73
 B00700.30.03 20 20 pag. 73
 B00700.30.23 20 20 pag. 73
 B00700.30.30 20 20 pag. 73
 B00700.30.34 20 20 pag. 73
 B00700.31.02 50 50 pag. 73
 B00700.31.03 50 50 pag. 73
 B00700.31.23 50 50 pag. 73
 B00700.31.30 50 50 pag. 73
 B00700.31.34 50 50 pag. 73
 B00700.32.02 50 500 pag. 71
 B00700.32.03 50 500 pag. 71
 B00700.32.06 50 500 pag. 71
 B00700.32.23 50 500 pag. 71
 B00700.32.34 50 500 pag. 71
 B00700.33.93 50 50 pag. 71
 B00700.34.02 10 10 pag. 72
 B00700.34.03 10 10 pag. 72
 B00700.34.06 10 10 pag. 72
 B00700.34.23 10 10 pag. 72
 B00700.34.34 10 10 pag. 72
 B00701.30.02 1 25 pag. 68
 B00701.30.03 1 25 pag. 68
 B00701.35.02 1 25 pag. 68
 B00701.35.03 1 25 pag. 68
 B00701.35.34 1 25 pag. 68
 B00701.40.02 1 25 pag. 68
 B00701.40.03 1 25 pag. 68
 B00701.40.34 1 25 pag. 68
 B00701.45.02 1 25 pag. 68
 B00701.45.03 1 25 pag. 68
 B00701.50.02 1 25 pag. 68
 B00701.50.03 1 25 pag. 68
 B00701.50.06 1 25 pag. 68
 B00701.50.34 1 25 pag. 68
 B00701.60.02 1 25 pag. 68
 B00701.60.03 1 25 pag. 68
 B00701.60.34 1 25 pag. 68
 B00702.30.02 1 25 pag. 68
 B00702.30.03 1 25 pag. 68
 B00702.35.02 1 25 pag. 68
 B00702.35.03 1 25 pag. 68
 B00702.40.02 1 25 pag. 68
 B00702.40.03 1 25 pag. 68

Code  

B00702.45.02 1 25 pag. 68
 B00702.45.03 1 25 pag. 68
 B00702.50.02 1 25 pag. 68
 B00702.50.03 1 25 pag. 68
 B00702.50.06 1 25 pag. 68
 B00702.50.34 1 25 pag. 68
 B00702.60.02 1 25 pag. 68
 B00702.60.03 1 25 pag. 68
 B00702.60.34 1 25 pag. 68
 B00703.30.02 1 25 pag. 68
 B00703.30.03 1 25 pag. 68
 B00703.35.02 1 25 pag. 68
 B00703.35.03 1 25 pag. 68
 B00703.35.34 1 25 pag. 68
 B00703.40.02 1 25 pag. 68
 B00703.40.03 1 25 pag. 68
 B00703.40.34 1 25 pag. 68
 B00703.45.02 1 25 pag. 68
 B00703.45.03 1 25 pag. 68
 B00703.50.02 1 25 pag. 68
 B00703.50.03 1 25 pag. 68
 B00703.50.06 1 25 pag. 68
 B00703.50.34 1 25 pag. 68
 B00703.60.02 1 25 pag. 68
 B00703.60.03 1 25 pag. 68
 B00703.60.34 1 25 pag. 68
 B00704.30.02 1 25 pag. 69
 B00704.30.03 1 25 pag. 69
 B00704.35.02 1 25 pag. 69
 B00704.35.03 1 25 pag. 69
 B00704.40.02 1 25 pag. 69
 B00704.40.03 1 25 pag. 69
 B00704.45.02 1 25 pag. 69
 B00704.45.03 1 25 pag. 69
 B00704.50.02 1 25 pag. 69
 B00704.50.03 1 25 pag. 69
 B00704.50.06 1 25 pag. 69
 B00704.60.02 1 25 pag. 69
 B00704.60.03 1 25 pag. 69
 B00705.30.02 1 25 pag. 69
 B00705.30.03 1 25 pag. 69
 B00705.30.06 1 25 pag. 69
 B00705.35.02 1 25 pag. 69
 B00705.35.03 1 25 pag. 69
 B00705.40.02 1 25 pag. 69
 B00705.40.03 1 25 pag. 69
 B00705.40.06 1 25 pag. 69
 B00705.45.02 1 25 pag. 69
 B00705.45.03 1 25 pag. 69
 B00705.45.06 1 25 pag. 69
 B00705.50.02 1 25 pag. 69
 B00705.50.03 1 25 pag. 69
 B00705.50.06 1 25 pag. 69
 B00705.60.02 1 25 pag. 69
 B00705.60.03 1 25 pag. 69
 B00705.60.06 1 25 pag. 69
 B00706.30.02 1 25 pag. 69
 B00706.30.03 1 25 pag. 69
 B00706.35.02 1 25 pag. 69
 B00706.35.03 1 25 pag. 69
 B00706.40.02 1 25 pag. 69
 B00706.40.03 1 25 pag. 69
 B00706.40.06 1 25 pag. 69
 B00706.45.02 1 25 pag. 69
 B00706.45.03 1 25 pag. 69
 B00706.50.02 1 25 pag. 69

Code  


B00706.50.03 1 25 pag. 69
 B00706.50.06 1 25 pag. 69
 B00706.60.02 1 25 pag. 69
 B00706.60.03 1 25 pag. 69
 B00706.60.06 1 25 pag. 69
 B00795.00.05 10 10 pag. 56
 B00795.01.05 10 10 pag. 56
 B00796.00.05 10 10 pag. 56
 B00796.01.05 10 10 pag. 56
 B00796.02.05 50 500 pag. 56
 B00851.20.02 1 25 pag. 43
 B00851.20.03 1 25 pag. 43
 B00851.25.02 1 25 pag. 43
 B00851.25.03 1 25 pag. 43
 B00851.30.02 1 25 pag. 43
 B00851.30.03 1 25 pag. 43
 B00851.30.06 1 25 pag. 43
 B00851.35.02 1 25 pag. 43
 B00851.35.03 1 25 pag. 43
 B00851.35.06 1 25 pag. 43
 B00851.40.02 1 25 pag. 43
 B00851.40.03 1 25 pag. 43
 B00851.40.06 1 25 pag. 43
 B00851.40.34 1 25 pag. 43
 B00851.45.02 1 25 pag. 43
 B00851.45.03 1 25 pag. 43
 B00851.45.06 1 25 pag. 43
 B00851.45.34 1 25 pag. 43
 B00851.50.02 1 25 pag. 43
 B00851.50.03 1 25 pag. 43
 B00851.50.06 1 25 pag. 43
 B00851.50.34 1 25 pag. 43
 B00851.60.02 1 25 pag. 43
 B00851.60.03 1 25 pag. 43
 B00851.60.06 1 25 pag. 43
 B00851.60.34 1 25 pag. 43
 B00851.70.02 1 25 pag. 43
 B00851.70.03 1 25 pag. 43
 B00851.70.06 1 25 pag. 43
 B00851.70.34 1 25 pag. 43
 B00852.20.02 1 25 pag. 44
 B00852.20.03 1 25 pag. 44
 B00852.20.06 1 25 pag. 44
 B00852.25.02 1 25 pag. 44
 B00852.25.03 1 25 pag. 44
 B00852.25.06 1 25 pag. 44
 B00852.30.02 1 25 pag. 44
 B00852.30.03 1 25 pag. 44
 B00852.30.06 1 25 pag. 44
 B00852.35.02 1 25 pag. 44
 B00852.35.03 1 25 pag. 44
 B00852.35.06 1 25 pag. 44
 B00852.40.02 1 25 pag. 44
 B00852.40.03 1 25 pag. 44
 B00852.40.06 1 25 pag. 44
 B00852.45.02 1 25 pag. 44
 B00852.45.03 1 25 pag. 44
 B00852.45.06 1 25 pag. 44
 B00852.50.02 1 25 pag. 44
 B00852.50.03 1 25 pag. 44
 B00852.50.06 1 25 pag. 44
 B00852.60.02 1 25 pag. 44
 B00852.60.03 1 25 pag. 44
 B00852.60.06 1 25 pag. 44
 B00852.70.02 1 25 pag. 44
 B00852.70.03 1 25 pag. 44

Code  

B00852.70.06 1 25 pag. 44
 B00853.40.10 1 25 pag. 43
 B00853.45.10 1 25 pag. 43
 B00853.50.10 1 25 pag. 43
 B00853.60.10 1 25 pag. 43
 B00853.70.10 1 25 pag. 43
 B00855.35.02 1 25 pag. 50
 B00855.35.03 1 25 pag. 50
 B00855.40.02 1 25 pag. 50
 B00855.40.03 1 25 pag. 50
 B00855.45.02 1 25 pag. 50
 B00855.45.03 1 25 pag. 50
 B00855.50.02 1 25 pag. 50
 B00855.50.03 1 25 pag. 50
 B00855.60.02 1 25 pag. 50
 B00855.60.03 1 25 pag. 50
 B00855.70.02 1 25 pag. 50
 B00855.70.03 1 25 pag. 50
 B00856.35.02 1 25 pag. 50
 B00856.35.03 1 25 pag. 50
 B00856.35.06 1 25 pag. 50
 B00856.40.02 1 25 pag. 50
 B00856.40.03 1 25 pag. 50
 B00856.40.06 1 25 pag. 50
 B00856.45.02 1 25 pag. 50
 B00856.45.03 1 25 pag. 50
 B00856.45.06 1 25 pag. 50
 B00856.50.02 1 25 pag. 50
 B00856.50.03 1 25 pag. 50
 B00856.50.06 1 25 pag. 50
 B00856.60.02 1 25 pag. 50
 B00856.60.03 1 25 pag. 50
 B00856.60.06 1 25 pag. 50
 B00856.70.02 1 25 pag. 50
 B00856.70.03 1 25 pag. 50
 B00856.70.06 1 25 pag. 50
 B00857.35.10 1 25 pag. 50
 B00857.40.10 1 25 pag. 50
 B00857.50.10 1 25 pag. 50
 B00858.60.04 1 25 pag. 70
 B00859.60.04 1 25 pag. 70
 B00860.30.04 1 25 pag. 43
 B00860.35.02 1 25 pag. 43
 B00860.35.04 1 25 pag. 43
 B00860.35.06 1 25 pag. 43
 B00860.40.02 1 25 pag. 43
 B00860.40.03 1 25 pag. 43
 B00860.40.04 1 25 pag. 43
 B00860.45.02 1 25 pag. 43
 B00860.45.03 1 25 pag. 43
 B00860.45.04 1 25 pag. 43
 B00860.50.02 1 25 pag. 43
 B00860.50.03 1 25 pag. 43
 B00860.50.04 1 25 pag. 43
 B00860.50.06 1 25 pag. 43
 B00860.50.34 1 25 pag. 43
 B00860.60.02 1 25 pag. 43
 B00860.60.03 1 25 pag. 43
 B00860.60.04 1 25 pag. 43
 B00860.60.06 1 25 pag. 43
 B00860.60.34 1 25 pag. 43
 B00871.60.10 1 25 pag. 50
 B00875.30.04 1 25 pag. 44
 B00875.30.05 1 25 pag. 44
 B00875.30.06 1 25 pag. 44
 B00875.35.04 1 25 pag. 44

Code 







B00875.35.05 1 25 pag. 44
B00875.35.06 1 25 pag. 44
B00875.40.04 1 25 pag. 44
B00875.40.06 1 25 pag. 44
B00875.45.04 1 25 pag. 44
B00875.45.06 1 25 pag. 44
B00875.50.04 1 25 pag. 44
B00875.50.06 1 25 pag. 44
B00876.50.03 1 25 pag. 44
B00876.50.06 1 25 pag. 44
B00876.60.03 1 25 pag. 44
B00876.60.06 1 25 pag. 44
B00876.70.03 1 25 pag. 44
B00876.70.06 1 25 pag. 44
B00910.30.04 1 25 pag. 70
B00910.35.04 1 25 pag. 70
B00910.40.04 1 25 pag. 70
B00910.45.04 1 25 pag. 70
B00910.50.04 1 25 pag. 70
B00910.60.04 1 25 pag. 70
B01000.01.02 25 250 pag. 24
B01000.01.03 25 250 pag. 24
B01000.01.06 25 250 pag. 24
B01000.01.34 25 250 pag. 24
B01000.02.10 25 250 pag. 24
B01000.03.02 25 250 pag. 24
B01000.03.03 25 250 pag. 24
B01000.03.06 25 250 pag. 24
B01000.03.34 25 250 pag. 24
B01000.04.10 25 250 pag. 24
B01000.05.02 50 250 pag. 25
B01000.05.03 50 250 pag. 25
B01000.05.06 50 250 pag. 25
B01000.05.34 50 250 pag. 25
B01000.06.10 25 250 pag. 25
B01000.09.02 50 500 pag. 21
B01000.09.03 50 500 pag. 21
B01000.09.06 50 500 pag. 21
B01000.09.34 50 500 pag. 21
B01000.10.10 25 500 pag. 21
B01000.11.02 50 500 pag. 20
B01000.11.03 50 500 pag. 20
B01000.11.06 50 500 pag. 20
B01000.11.34 50 500 pag. 20
B01000.13.02 50 500 pag. 22
B01000.13.03 50 500 pag. 22
B01000.13.06 50 500 pag. 22
B01000.13.34 50 500 pag. 22
B01000.14.10 25 500 pag. 22
B01000.15.02 50 500 pag. 22
B01000.15.03 50 500 pag. 22
B01000.15.06 50 500 pag. 22
B01000.15.34 50 500 pag. 22
B01000.16.10 25 500 pag. 22
B01000.17.02 50 250 pag. 21
B01000.17.03 50 250 pag. 21
B01000.17.06 50 250 pag. 21
B01000.17.34 50 250 pag. 21
B01000.19.02 50 250 pag. 21
B01000.19.03 50 250 pag. 21
B01000.19.06 50 250 pag. 21
B01000.19.34 50 250 pag. 21
B01000.21.02 25 250 pag. 25
B01000.21.03 25 250 pag. 25
B01000.21.06 25 250 pag. 25
B01000.21.34 25 250 pag. 25

Code 

B01000.22.10 25 250 pag. 25
B01000.23.91 300 300 pag. 26
B01000.23.93 300 300 pag. 26
B01000.23.94 300 300 pag. 26
B01000.24.02 50 250 pag. 21
B01000.24.03 50 250 pag. 21
B01000.24.06 50 250 pag. 21
B01000.24.34 50 250 pag. 21
B01000.26.02 50 500 pag. 22
B01000.26.03 50 500 pag. 22
B01000.26.06 50 500 pag. 22
B01000.26.34 50 500 pag. 22
B01000.27.10 25 500 pag. 22
B01000.29.91 50 500 pag. 20
B01000.29.93 50 500 pag. 20
B01000.32.03 25 500 pag. 21
B01000.32.06 25 500 pag. 21
B01000.35.02 50 250 pag. 26
B01000.35.03 50 250 pag. 26
B01000.35.06 50 250 pag. 26
B01000.35.34 50 250 pag. 26
B01000.36.02 50 250 pag. 26
B01000.36.03 50 250 pag. 26
B01000.36.06 50 250 pag. 26
B01000.36.34 50 250 pag. 26
B01000.39.02 25 250 pag. 24
B01000.39.03 25 250 pag. 24
B01000.39.06 25 250 pag. 24
B01000.39.34 25 250 pag. 24
B01000.40.02 50 500 pag. 20
B01000.40.03 50 500 pag. 20
B01000.40.06 50 500 pag. 20
B01000.40.34 50 500 pag. 20
B01000.41.10 25 500 pag. 20
B01000.43.02 25 250 pag. 25
B01000.43.03 25 250 pag. 25
B01000.43.06 25 250 pag. 25
B01000.43.34 25 250 pag. 25
B01001.50.02 50 50 pag. 23
B01001.50.03 50 50 pag. 23
B01001.50.06 50 50 pag. 23
B01001.50.34 50 50 pag. 23
B01002.50.02 50 50 pag. 23
B01002.50.03 50 50 pag. 23
B01002.50.06 50 50 pag. 23
B01002.50.34 50 50 pag. 23
B01003.50.10 25 25 pag. 23
B01005.50.02 50 50 pag. 23
B01005.50.03 50 50 pag. 23
B01005.50.06 50 50 pag. 23
B01005.50.34 50 50 pag. 23
B01006.50.02 50 50 pag. 23
B01006.50.03 50 50 pag. 23
B01006.50.04 50 50 pag. 23
B01006.50.06 50 50 pag. 23
B01006.50.34 50 50 pag. 23
B01007.50.10 25 25 pag. 23
B01009.50.02 50 50 pag. 19
B01009.50.03 50 50 pag. 19
B01009.50.06 50 50 pag. 19
B01009.50.34 50 50 pag. 19
B01010.50.02 50 50 pag. 19
B01010.50.03 50 50 pag. 19
B01010.50.06 50 50 pag. 19
B01010.50.34 50 50 pag. 19
B01011.50.10 25 25 pag. 19

Code 

B01012.50.02 50 50 pag. 19
B01012.50.03 50 50 pag. 19
B01012.50.06 50 50 pag. 19
B01012.50.34 50 50 pag. 19
B01013.50.02 50 50 pag. 19
B01013.50.03 50 50 pag. 19
B01013.50.06 50 50 pag. 19
B01013.50.34 50 50 pag. 19
B01024.50.02 1 25 pag. 23
B01024.50.03 1 25 pag. 23
B01024.50.06 1 25 pag. 23
B01024.50.34 1 25 pag. 23
B01025.50.02 1 25 pag. 23
B01025.50.03 1 25 pag. 23
B01025.50.06 1 25 pag. 23
B01025.50.34 1 25 pag. 23
B01026.50.10 1 25 pag. 23
B01027.50.10 1 25 pag. 23
B01060.10.01 50 500 pag. 75
B01060.10.02 50 500 pag. 75
B01060.20.01 50 250 pag. 75
B01060.20.02 50 250 pag. 75
B01101.35.02 50 50 pag. 17
B01101.35.03 50 50 pag. 17
B01101.35.06 50 50 pag. 17
B01101.35.34 50 50 pag. 17
B01101.50.02 50 50 pag. 17
B01101.50.03 50 50 pag. 17
B01101.50.06 50 50 pag. 17
B01101.50.12 50 50 pag. 17
B01101.50.23 50 50 pag. 17
B01101.50.34 50 50 pag. 17
B01101.60.02 50 50 pag. 17
B01101.60.03 50 50 pag. 17
B01101.60.06 50 50 pag. 17
B01101.60.34 50 50 pag. 17
B01102.35.02 50 50 pag. 17
B01102.35.03 50 50 pag. 17
B01102.35.06 50 50 pag. 17
B01102.35.34 50 50 pag. 17
B01102.50.02 50 50 pag. 17
B01102.50.03 50 50 pag. 17
B01102.50.06 50 50 pag. 17
B01102.50.12 50 50 pag. 17
B01102.50.23 50 50 pag. 17
B01102.50.34 50 50 pag. 17
B01102.60.02 50 50 pag. 17
B01102.60.03 50 50 pag. 17
B01102.60.06 50 50 pag. 17
B01102.60.34 50 50 pag. 17
B01103.35.02 50 50 pag. 17
B01103.35.03 50 50 pag. 17
B01103.35.06 50 50 pag. 17
B01103.35.34 50 50 pag. 17
B01103.50.02 50 50 pag. 17
B01103.50.03 50 50 pag. 17
B01103.50.06 50 50 pag. 17
B01103.50.12 50 50 pag. 17
B01103.50.23 50 50 pag. 17
B01103.50.34 50 50 pag. 17
B01103.60.02 50 50 pag. 17
B01103.60.03 50 50 pag. 17
B01103.60.06 50 50 pag. 17
B01103.60.34 50 50 pag. 17
B01301.60.06 50 50 pag. 18
B01301.60.31 50 50 pag. 18


Code			Code			Code		
B01302.60.06	50	50	B01920.00.32	1	20	B02592.50.02	50	50
B01302.60.31	50	50	B01920.00.36	1	20	B02592.50.03	50	50
B01303.60.06	50	50	B01920.01.02	1	20	B02592.50.04	50	50
B01303.60.31	50	50	B01920.01.08	1	20	B02592.50.34	50	50
B01401.00.03	50	250	B01920.01.10	1	20	B02597.40.02	50	50
B01401.00.06	50	250	B01920.01.12	1	20	B02597.40.03	50	50
B01401.00.34	50	250	B01920.01.30	1	20	B02597.40.06	50	50
● B01402.05.03	50	50	B01920.01.32	1	20	B02597.40.34	50	50
● B01402.05.06	50	50	B01920.02.02	1	20	B02597.50.02	50	50
● B01402.05.34	50	50	B01920.02.08	1	20	B02597.50.03	50	50
● B01402.05.91	50	50	B01920.02.10	1	20	B02597.50.04	50	50
● B01402.05.93	50	50	B01920.02.12	1	20	B02597.50.06	50	50
● B01402.06.03	50	50	B01920.02.30	1	20	B02597.50.34	50	50
● B01402.06.06	50	50	B01920.02.32	1	20	B02600.01.01	1	1
● B01402.06.34	50	50	B01920.02.36	1	20	B02600.01.02	1	1
● B01402.06.93	50	50	B01920.03.10	1	20	B02600.01.03	1	1
● B01402.09.34	50	50	B01920.03.30	1	20	B02600.01.04	1	1
● B01402.09.93	50	50	B01920.03.32	1	20	B02600.01.05	1	1
● B01403.05.02	50	50	B01920.10.02	1	20	B02600.01.08	1	1
B01403.05.03	50	50	B01920.10.03	1	20	B02600.02.01	1	1
B01403.05.06	50	50	B01920.10.23	1	20	B02600.02.02	1	1
B01403.05.34	50	50	B01920.10.30	1	20	B02600.02.03	1	1
B01403.06.03	50	50	B01920.10.32	1	20	B02600.02.04	1	1
B01403.06.06	50	50	B01927.00.02	1	20	B02600.02.05	1	1
B01403.06.34	50	50	B01927.00.08	1	20	B02600.03.00	1	1
B01693.30.02	10	10	B01927.00.10	1	20	B02600.03.01	1	1
B01693.30.03	10	10	B01927.00.12	1	20	B02600.03.02	1	1
B01693.30.06	10	10	B01927.00.30	1	20	B02600.03.03	1	1
B01693.30.12	10	10	B01927.00.32	1	20	B02600.03.04	1	1
B01693.30.23	10	10	B01927.01.02	1	20	B02600.03.05	1	1
B01693.30.34	10	10	B01927.01.08	1	20	B02600.03.08	1	1
B01693.35.02	10	10	B01927.01.10	1	20	B02600.04.00	1	1
B01693.35.03	10	10	B01927.01.12	1	20	B02600.04.01	1	1
B01693.35.34	10	10	B01927.01.30	1	20	B02600.04.02	1	1
B01800.02.03	1	25	B01927.01.32	1	20	B02600.04.03	1	1
B01800.02.03	1	25	B01927.02.02	1	1	B02600.04.04	1	1
B01800.02.06	1	25	B01927.02.08	1	1	B02600.04.05	1	1
B01800.02.06	1	25	B01927.02.10	1	1	B02600.04.06	1	1
B01800.02.23	1	25	B01927.02.30	1	1	B02600.04.07	1	1
B01800.02.23	1	25	B01927.02.32	1	1	B02600.05.00	1	1
B01800.02.34	1	25	B01927.03.02	1	1	B02600.05.01	1	1
B01800.02.34	1	25	B01927.03.08	1	1	B02600.05.02	1	1
B01800.03.03	1	25	B01927.03.10	1	1	B02600.05.03	1	1
B01800.03.03	1	25	B01927.03.30	1	1	B02600.05.04	1	1
B01800.03.06	1	25	B01927.03.32	1	1	B02600.05.05	1	1
B01800.03.06	1	25	B01927.04.02	1	1	B02600.05.06	1	1
B01800.03.23	1	25	B01927.04.10	1	1	B02600.06.01	1	1
B01800.03.23	1	25	B01927.04.32	1	1	B02600.06.02	1	1
B01800.03.34	1	25	B02020.02.02	1	1	B02600.06.03	1	1
B01800.03.34	1	25	B02020.02.08	1	1	B02600.06.04	1	1
B01910.01.02	10	10	B02020.02.10	1	1	B02600.07.01	1	1
B01910.01.08	10	10	B02020.02.30	1	1	B02600.07.02	1	1
B01910.01.10	10	10	B02020.02.32	1	1	B02600.07.03	1	1
B01910.01.30	10	10	B02020.03.02	1	1	B02600.07.04	1	1
B01910.01.32	10	10	B02020.03.08	1	1	B02600.08.01	1	1
B01910.22.93	20	100	B02020.03.10	1	1	B02600.08.02	1	1
B01910.40.02	10	10	B02020.03.30	1	1	B02600.08.03	1	1
B01910.40.08	10	10	B02020.03.32	1	1	B02600.08.04	1	1
B01910.40.10	10	10	● B02120.02.10	1	20	B02600.10.01	1	1
B01910.40.30	10	10	● B02120.02.30	1	20	B02600.10.02	1	1
B01910.40.32	10	10	● B02120.02.32	1	20	B02601.01.03	1	1
B01920.00.02	1	20	● B02120.02.36	1	20	B02601.01.06	1	1
B01920.00.08	1	20	B02591.50.02	50	50	B02601.01.34	1	1
B01920.00.10	1	20	B02591.50.03	50	50	B02601.02.03	1	1
B01920.00.12	1	20	B02591.50.04	50	50	B02601.02.06	1	1
B01920.00.30	1	20	B02591.50.06	50	50	B02601.02.34	1	1
						B02601.03.03	1	1

Code  

B02632.01.03 1 1 pag. 81
B02632.01.06 1 1 pag. 81
B02632.01.34 1 1 pag. 81
B02632.02.03 1 1 pag. 81
B02632.02.06 1 1 pag. 81
B02632.02.34 1 1 pag. 81
B02632.03.03 1 1 pag. 81
B02632.03.06 1 1 pag. 81
B02632.03.34 1 1 pag. 81
B02632.04.03 1 1 pag. 81
B02632.04.06 1 1 pag. 81
B02632.04.34 1 1 pag. 81
B02632.05.03 1 1 pag. 81
B02632.05.06 1 1 pag. 81
B02632.05.34 1 1 pag. 81
B02632.06.03 1 1 pag. 81
B02632.06.06 1 1 pag. 81
B02632.06.34 1 1 pag. 81
B02632.08.03 1 1 pag. 81
B02632.08.06 1 1 pag. 81
B02632.08.34 1 1 pag. 81
B02632.10.03 1 1 pag. 81
B02632.10.06 1 1 pag. 81
B02632.10.34 1 1 pag. 81
B02793.35.03 10 10 pag. 56
B02793.35.04 10 10 pag. 56
B02793.35.34 10 10 pag. 56
B02800.00.06 1 10 pag. 80
B02800.00.06 1 10 pag. 83
B02800.01.03 1 1 pag. 80
B02800.01.04 1 1 pag. 80
B02800.01.06 1 1 pag. 80
B02800.01.34 1 1 pag. 80
B02801.01.03 1 1 pag. 80
B02801.01.04 1 1 pag. 80
B02801.01.06 1 1 pag. 80
B02801.01.34 1 1 pag. 80
B02802.03.03 1 1 pag. 83
B02802.03.06 1 1 pag. 83
B02802.03.34 1 1 pag. 83
B02803.03.03 1 1 pag. 83
B02803.03.06 1 1 pag. 83
B02803.03.34 1 1 pag. 83
B02900.00.02 1 1 pag. 55
B02900.00.02 1 1 pag. 60
B02900.00.08 1 1 pag. 55
B02900.00.08 1 1 pag. 60
B02900.00.10 1 1 pag. 55
B02900.00.10 1 1 pag. 60
B02900.00.12 1 1 pag. 55
B02900.00.30 1 1 pag. 55
B02900.00.30 1 1 pag. 60
B02900.00.32 1 1 pag. 55
B02900.00.32 1 1 pag. 60
B02901.00.02 1 1 pag. 55
B02901.00.02 1 1 pag. 60
B02901.00.08 1 1 pag. 55
B02901.00.08 1 1 pag. 60
B02901.00.10 1 1 pag. 55
B02901.00.10 1 1 pag. 60
B02901.00.12 1 1 pag. 55
B02901.00.30 1 1 pag. 55
B02901.00.30 1 1 pag. 60
B02901.00.32 1 1 pag. 55
B02901.00.32 1 1 pag. 60
B02902.00.02 1 1 pag. 55

Code  



B02902.00.08 1 1 pag. 55
B02902.00.10 1 1 pag. 55
B02902.00.12 1 1 pag. 55
B02902.00.30 1 1 pag. 55
B02902.00.32 1 1 pag. 55
B02903.00.02 1 1 pag. 55
B02903.00.08 1 1 pag. 55
B02903.00.10 1 1 pag. 55
B02903.00.12 1 1 pag. 55
B02903.00.30 1 1 pag. 55
B02903.00.32 1 1 pag. 55
B02914.50.02 1 1 pag. 58
B02914.50.03 1 1 pag. 58
B02914.50.06 1 1 pag. 58
B02914.50.12 1 1 pag. 58
B02914.50.23 1 1 pag. 58
B02914.50.34 1 1 pag. 58
B02914.50.36 1 1 pag. 58
B02916.50.02 1 1 pag. 58
B02916.50.03 1 1 pag. 58
B02916.50.06 1 1 pag. 58
B02916.50.23 1 1 pag. 58
B02916.50.34 1 1 pag. 58
B02918.50.02 1 1 pag. 58
B02918.50.03 1 1 pag. 58
B02918.50.06 1 1 pag. 58
B02918.50.12 1 1 pag. 58
B02918.50.23 1 1 pag. 58
B02918.50.34 1 1 pag. 58
B02921.50.02 1 1 pag. 58
B02921.50.03 1 1 pag. 58
B02921.50.06 1 1 pag. 58
B02921.50.23 1 1 pag. 58
B02921.50.34 1 1 pag. 58
B02923.50.02 1 1 pag. 62
B02923.50.03 1 1 pag. 62
B02923.50.06 1 1 pag. 62
B02923.50.12 1 1 pag. 62
B02923.50.23 1 1 pag. 62
B02923.50.34 1 1 pag. 62
B02925.50.02 1 1 pag. 62
B02925.50.03 1 1 pag. 62
B02925.50.06 1 1 pag. 62
B02925.50.12 1 1 pag. 62
B02925.50.23 1 1 pag. 62
B02925.50.34 1 1 pag. 62
B02928.50.02 1 1 pag. 62
B02928.50.03 1 1 pag. 62
B02928.50.06 1 1 pag. 62
B02928.50.23 1 1 pag. 62
B02928.50.34 1 1 pag. 62
B03591.40.02 50 50 pag. 29
B03591.40.03 50 50 pag. 29
B03591.40.04 50 50 pag. 29
B03591.40.06 50 50 pag. 29
B03591.40.34 50 50 pag. 29
B03591.50.02 50 50 pag. 29
B03591.50.03 50 50 pag. 29
B03591.50.04 50 50 pag. 29
B03591.50.06 50 50 pag. 29
B03591.50.34 50 50 pag. 29
B03597.40.02 50 50 pag. 29
B03597.40.03 50 50 pag. 29
B03597.40.04 50 50 pag. 29
B03597.40.06 50 50 pag. 29
B03597.40.34 50 50 pag. 29

Code  

B03597.50.02 50 50 pag. 29
B03597.50.03 50 50 pag. 29
B03597.50.04 50 50 pag. 29
B03597.50.06 50 50 pag. 29
B03597.50.34 50 50 pag. 29
B03691.50.02 50 50 pag. 29
B03691.50.03 50 50 pag. 29
B03691.50.06 50 50 pag. 29
B03923.50.02 1 1 pag. 63
B03923.50.03 1 1 pag. 63
B03923.50.06 1 1 pag. 63
B03923.50.23 1 1 pag. 63
B03923.50.34 1 1 pag. 63
B03925.50.02 1 1 pag. 63
B03925.50.03 1 1 pag. 63
B03925.50.06 1 1 pag. 63
B03925.50.23 1 1 pag. 63
B03925.50.34 1 1 pag. 63
B03928.50.02 1 1 pag. 63
B03928.50.03 1 1 pag. 63
B03928.50.06 1 1 pag. 63
B03928.50.23 1 1 pag. 63
B03928.50.34 1 1 pag. 63
B03934.50.02 1 1 pag. 61
B03934.50.03 1 1 pag. 61
B03934.50.06 1 1 pag. 61
B03934.50.23 1 1 pag. 61
B03934.50.34 1 1 pag. 61
B03938.50.02 1 1 pag. 61
B03938.50.03 1 1 pag. 61
B03938.50.06 1 1 pag. 61
B03938.50.23 1 1 pag. 61
B03938.50.34 1 1 pag. 61
B03941.50.02 1 1 pag. 61
B03941.50.03 1 1 pag. 61
B03941.50.06 1 1 pag. 61
B03941.50.23 1 1 pag. 61
B03941.50.34 1 1 pag. 61
● B04101.50.03 50 50 pag. 15
● B04101.50.06 50 50 pag. 15
● B04101.50.34 50 50 pag. 15
● B04102.50.03 50 50 pag. 15
● B04102.50.06 50 50 pag. 15
● B04102.50.34 50 50 pag. 15
● B04103.50.03 50 50 pag. 15
● B04103.50.06 50 50 pag. 15
● B04103.50.34 50 50 pag. 15
B04575.40.08 50 50 pag. 54
B04575.45.08 50 50 pag. 54
B04590.01.08 25 250 pag. 31
B04590.11.08 25 250 pag. 33
B04590.15.08 25 250 pag. 45
B04590.19.08 25 250 pag. 47
B04591.40.08 1 25 pag. 27
B04591.45.08 1 25 pag. 27
B04591.50.08 1 25 pag. 27
B04595.50.08 1 25 pag. 28
B04851.35.08 1 25 pag. 43
B04851.45.08 1 25 pag. 43
B04851.50.08 1 25 pag. 43
B04852.45.08 1 25 pag. 44
B04852.50.08 1 25 pag. 44
B05591.40.02 50 50 pag. 29
B05591.40.03 50 50 pag. 29
B05591.40.04 50 50 pag. 29
B05591.40.06 50 50 pag. 29
B05591.40.34 50 50 pag. 29
B05591.50.02 50 50 pag. 29

Code  


B05591.50.03 50 50 pag. 29
 B05591.50.04 50 50 pag. 29
 B05591.50.06 50 50 pag. 29
 B05591.50.34 50 50 pag. 29
 B05597.40.02 50 50 pag. 29
 B05597.40.03 50 50 pag. 29
 B05597.40.04 50 50 pag. 29
 B05597.40.06 50 50 pag. 29
 B05597.40.34 50 50 pag. 29
 B05597.50.02 50 50 pag. 29
 B05597.50.04 50 50 pag. 29
 B05597.50.06 50 50 pag. 29
 B05597.50.34 50 50 pag. 29
 B06771.50.02 10 10 pag. 66
 B06771.50.03 10 10 pag. 66
 B06771.50.06 10 10 pag. 66
 B06771.50.12 10 10 pag. 66
 B06771.50.23 10 10 pag. 66
 B06771.50.34 10 10 pag. 66
 B08771.50.02 10 10 pag. 66
 B08771.50.03 10 10 pag. 66
 B08771.50.06 10 10 pag. 66
 B08771.50.12 10 10 pag. 66
 B08771.50.23 10 10 pag. 66
 B08771.50.34 10 10 pag. 66
 B08901.50.02 10 10 pag. 66
 B08901.50.03 10 10 pag. 66
 B08901.50.06 10 10 pag. 66
 B08901.50.12 10 10 pag. 66
 B08901.50.23 10 10 pag. 66
 B08901.50.34 10 10 pag. 66
 B08902.50.02 25 25 pag. 67
 B08902.50.03 25 25 pag. 67
 B08902.50.06 25 25 pag. 67
 B08902.50.23 25 25 pag. 67
 B08902.50.34 25 25 pag. 67
 B08905.50.02 10 10 pag. 66
 B08905.50.03 10 10 pag. 66
 B08905.50.06 10 10 pag. 66
 B08905.50.12 10 10 pag. 66
 B08905.50.23 10 10 pag. 66
 B08905.50.34 10 10 pag. 66
 B08906.50.02 25 25 pag. 67
 B08906.50.03 25 25 pag. 67
 B08906.50.06 25 25 pag. 67
 B08906.50.23 25 25 pag. 67
 B08906.50.34 25 25 pag. 67
 B10070.01.02 25 250 pag. 52
 B10070.01.03 25 250 pag. 52
 B10070.01.04 25 250 pag. 52
 B10070.03.02 25 250 pag. 52
 B10070.03.03 25 250 pag. 52
 B10070.03.04 25 250 pag. 52
 B10070.15.02 25 250 pag. 52
 B10070.15.03 25 250 pag. 52
 B10070.15.04 25 250 pag. 52
 B10070.23.02 25 250 pag. 52
 B10070.23.03 25 250 pag. 52
 B10070.23.04 25 250 pag. 52
 B10070.51.02 25 250 pag. 53
 B10070.51.03 25 250 pag. 53
 B10070.51.04 25 250 pag. 53
 B10071.55.02 50 50 pag. 51
 B10071.55.03 50 50 pag. 51
 B10071.55.04 50 50 pag. 51

Code  

B10072.55.02 50 50 pag. 51
 B10072.55.03 50 50 pag. 51
 B10072.55.04 50 50 pag. 51
 B10072.55.06 50 50 pag. 51
 B10073.55.02 50 50 pag. 51
 B10073.55.03 50 50 pag. 51
 B10073.55.04 50 50 pag. 51
 B10077.55.02 50 50 pag. 51
 B10077.55.03 50 50 pag. 51
 B10077.55.04 50 50 pag. 51
 B10077.55.06 50 50 pag. 51
 B10078.55.02 50 50 pag. 51
 B10078.55.03 50 50 pag. 51
 B10078.55.04 50 50 pag. 51
 B10083.55.02 50 50 pag. 51
 B10083.55.03 50 50 pag. 51
 B10083.55.04 50 50 pag. 51
 B10083.55.06 50 50 pag. 51
 B10084.55.02 50 50 pag. 51
 B10084.55.03 50 50 pag. 51
 B10084.55.04 50 50 pag. 51
 B10085.55.02 50 50 pag. 51
 B10085.55.03 50 50 pag. 51
 B10085.55.04 50 50 pag. 51
 B50001.50.03 1 25 pag. 76
 B50001.50.34 1 25 pag. 76
 B50001.60.03 1 25 pag. 76
 B50001.60.34 1 25 pag. 76
 B50001.70.03 1 25 pag. 76
 B50001.70.34 1 25 pag. 76
 B50002.50.03 1 25 pag. 76
 B50002.50.34 1 25 pag. 76
 B50002.60.03 1 25 pag. 76
 B50002.60.34 1 25 pag. 76
 B50002.70.03 1 25 pag. 76
 B50002.70.34 1 25 pag. 76
 B50101.50.03 1 25 pag. 76
 B50101.50.06 1 25 pag. 76
 B50101.50.23 1 25 pag. 76
 B50101.50.34 1 25 pag. 76
 B50101.60.03 1 25 pag. 76
 B50101.60.06 1 25 pag. 76
 B50101.60.23 1 25 pag. 76
 B50101.60.34 1 25 pag. 76
 B50101.70.03 1 25 pag. 76
 B50101.70.06 1 25 pag. 76
 B50101.70.23 1 25 pag. 76
 B50101.70.34 1 25 pag. 76
 B50102.50.03 1 25 pag. 76
 B50102.50.06 1 25 pag. 76
 B50102.50.23 1 25 pag. 76
 B50102.50.34 1 25 pag. 76
 B50102.60.03 1 25 pag. 76
 B50102.60.06 1 25 pag. 76
 B50102.60.23 1 25 pag. 76
 B50102.60.34 1 25 pag. 76
 B50102.70.03 1 25 pag. 76
 B50102.70.06 1 25 pag. 76
 B50102.70.23 1 25 pag. 76
 B50102.70.34 1 25 pag. 76
 B50301.50.03 1 25 pag. 77
 B50301.50.06 1 25 pag. 77
 B50301.50.34 1 25 pag. 77
 B50301.60.03 1 25 pag. 77
 B50301.60.06 1 25 pag. 77
 B50301.60.34 1 25 pag. 77

Code  




B50301.70.03 1 25 pag. 77
 B50301.70.06 1 25 pag. 77
 B50301.70.34 1 25 pag. 77
 B50302.50.03 1 25 pag. 77
 B50302.50.06 1 25 pag. 77
 B50302.50.34 1 25 pag. 77
 B50302.60.03 1 25 pag. 77
 B50302.60.06 1 25 pag. 77
 B50302.60.34 1 25 pag. 77
 B50302.70.03 1 25 pag. 77
 B50302.70.06 1 25 pag. 77
 B50302.70.34 1 25 pag. 77
 B50501.50.03 1 25 pag. 76
 B50501.50.34 1 25 pag. 76
 B50501.60.03 1 25 pag. 76
 B50501.60.34 1 25 pag. 76
 B50501.70.03 1 25 pag. 76
 B50501.70.34 1 25 pag. 76
 B50502.50.03 1 25 pag. 76
 B50502.50.34 1 25 pag. 76
 B50502.60.03 1 25 pag. 76
 B50502.60.34 1 25 pag. 76
 B50502.70.03 1 25 pag. 76
 B50502.70.34 1 25 pag. 76
 B54101.45.03 1 25 pag. 41
 B54101.45.06 1 25 pag. 41
 B54101.45.34 1 25 pag. 41
 B54101.50.03 1 25 pag. 41
 B54101.50.06 1 25 pag. 41
 B54101.50.34 1 25 pag. 41
 B54101.60.03 1 25 pag. 41
 B54101.60.06 1 25 pag. 41
 B54101.60.34 1 25 pag. 41
 B54101.70.03 1 25 pag. 41
 B54101.70.06 1 25 pag. 41
 B54101.70.34 1 25 pag. 41
 B54102.45.03 1 25 pag. 41
 B54102.45.06 1 25 pag. 41
 B54102.45.34 1 25 pag. 41
 B54102.50.03 1 25 pag. 41
 B54102.50.06 1 25 pag. 41
 B54102.50.34 1 25 pag. 41
 B54102.60.03 1 25 pag. 41
 B54102.60.06 1 25 pag. 41
 B54102.60.34 1 25 pag. 41
 B54102.70.03 1 25 pag. 41
 B54102.70.06 1 25 pag. 41
 B54102.70.34 1 25 pag. 41
 B59901.47.57 25 300 pag. 77
 B59901.62.72 25 400 pag. 77
 B59903.01.03 1 25 pag. 42
 B59903.01.03 1 25 pag. 78
 B59903.01.06 1 25 pag. 42
 B59903.01.06 1 25 pag. 78
 B59903.01.23 1 25 pag. 42
 B59903.01.23 1 25 pag. 78
 B59903.01.34 1 25 pag. 42
 B59903.01.34 1 25 pag. 78
 B59903.02.03 1 25 pag. 42
 B59903.02.03 1 25 pag. 78
 B59903.02.06 1 25 pag. 42
 B59903.02.06 1 25 pag. 78
 B59903.02.23 1 25 pag. 42
 B59903.02.23 1 25 pag. 78
 B59903.02.34 1 25 pag. 42
 B59903.02.34 1 25 pag. 78

Code Code Code 

C20016.25.75 1 5 pag. 105
 C20016.28.28 1 5 pag. 105
 C20016.30.30 1 5 pag. 105
 C20016.30.35 1 5 pag. 105
 C20016.30.40 1 5 pag. 105
 C20016.30.45 1 5 pag. 105
 C20016.30.50 1 5 pag. 105
 C20016.30.55 1 5 pag. 105
 C20016.33.33 1 5 pag. 105
 C20016.35.35 1 5 pag. 105
 C20016.35.40 1 5 pag. 105
 C20016.35.45 1 5 pag. 105
 C20016.35.50 1 5 pag. 105
 C20016.35.55 1 5 pag. 105
 C20016.35.65 1 5 pag. 105
 C20016.35.75 1 5 pag. 105
 C20016.40.40 1 5 pag. 105
 C20016.40.45 1 5 pag. 105
 C20016.40.50 1 5 pag. 105
 C20016.40.60 1 5 pag. 105
 C20016.40.65 1 5 pag. 105
 C20016.40.70 1 5 pag. 105
 C20016.45.45 1 5 pag. 105
 C27516.10.35 1 1 pag. 481
 C27516.10.40 1 1 pag. 481
 C27516.10.45 1 1 pag. 481
 C27516.10.50 1 1 pag. 481
 C27516.10.55 1 1 pag. 481
 C27516.10.60 1 1 pag. 481
 C27516.10.65 1 1 pag. 481
 ● C27516.10.70 1 1 pag. 481
 ● C27516.10.75 1 1 pag. 481
 C30001.xx.xx 1 10 pag. 114
 C30010.xx.xx 1 10 pag. 114
 C30016.00.01 1 1 pag. 114
 C30016.25.25 1 10 pag. 114
 C30016.25.30 1 10 pag. 114
 C30016.25.35 1 10 pag. 114
 C30016.25.40 1 10 pag. 114
 C30016.25.45 1 10 pag. 114
 C30016.25.50 1 10 pag. 114
 C30016.25.55 1 10 pag. 114
 C30016.25.65 1 10 pag. 114
 C30016.25.75 1 10 pag. 114
 C30016.30.30 1 10 pag. 114
 C30016.30.35 1 10 pag. 114
 C30016.30.40 1 10 pag. 114
 C30016.30.45 1 10 pag. 114
 C30016.30.50 1 10 pag. 114
 C30016.30.55 1 10 pag. 114
 C30016.30.60 1 10 pag. 114
 C30016.30.70 1 10 pag. 114
 C30016.33.33 1 10 pag. 114
 C30016.35.35 1 10 pag. 114
 C30016.35.40 1 10 pag. 114
 C30016.35.45 1 10 pag. 114
 C30016.35.50 1 10 pag. 114
 C30016.35.55 1 10 pag. 114
 C30016.35.65 1 10 pag. 114
 C30016.35.75 1 10 pag. 114
 C30016.40.40 1 10 pag. 114
 C30016.40.45 1 10 pag. 114
 C30016.40.50 1 10 pag. 114
 C30016.40.60 1 10 pag. 114
 C30016.40.65 1 10 pag. 114
 C30016.45.45 1 10 pag. 114

C30016.45.55 1 10 pag. 114
 C30016.55.55 1 10 pag. 114
 C32001.xx.xx 1 10 pag. 115
 C32010.xx.xx 1 10 pag. 115
 C32016.25.25 1 10 pag. 115
 C32016.25.30 1 10 pag. 115
 C32016.25.35 1 10 pag. 115
 C32016.25.40 1 10 pag. 115
 C32016.25.45 1 10 pag. 115
 C32016.25.55 1 10 pag. 115
 C32016.25.65 1 10 pag. 115
 C32016.30.25 1 10 pag. 115
 C32016.30.30 1 10 pag. 115
 C32016.30.35 1 10 pag. 115
 C32016.30.40 1 10 pag. 115
 C32016.35.25 1 10 pag. 115
 C32016.35.30 1 10 pag. 115
 C32016.35.35 1 10 pag. 115
 C32016.35.40 1 10 pag. 115
 C32016.35.45 1 10 pag. 115
 C32016.35.50 1 10 pag. 115
 C32016.40.25 1 10 pag. 115
 C32016.40.30 1 10 pag. 115
 C32016.40.35 1 10 pag. 115
 C32016.40.40 1 10 pag. 115
 C32016.40.50 1 10 pag. 115
 C32016.45.25 1 10 pag. 115
 C32016.45.30 1 10 pag. 115
 C32016.45.35 1 10 pag. 115
 C32016.45.45 1 10 pag. 115
 C32016.45.55 1 10 pag. 115
 C32016.50.35 1 10 pag. 115
 C32016.50.40 1 10 pag. 115
 C32016.50.60 1 10 pag. 115
 C32016.55.25 1 10 pag. 115
 C32016.55.35 1 10 pag. 115
 C32016.60.50 1 10 pag. 115
 C32301.xx.xx 5 50 pag. 115
 C32310.xx.xx 5 50 pag. 115
 C32316.25.25 1 10 pag. 115
 C32316.25.30 1 10 pag. 115
 C32316.25.35 1 10 pag. 115
 C32316.25.40 1 10 pag. 115
 C32316.25.45 1 10 pag. 115
 C32316.25.55 1 10 pag. 115
 C32316.25.65 1 10 pag. 115
 C33016.05.25 1 10 pag. 114
 C33016.05.30 1 10 pag. 114
 C33016.05.35 1 10 pag. 114
 C33016.05.40 1 10 pag. 114
 C33016.05.45 1 10 pag. 114
 C33016.05.50 1 10 pag. 114
 C33016.05.55 1 10 pag. 114
 C34306.04.06 50 50 pag. 129
 C34306.24.06 1 1 pag. 129
 C37516.10.35 1 1 pag. 481
 C37516.10.40 1 1 pag. 481
 C37516.10.45 1 1 pag. 481
 C37516.10.50 1 1 pag. 481
 C37516.10.55 1 1 pag. 481
 C37516.10.60 1 1 pag. 481
 C37516.10.65 1 1 pag. 481
 ● C37516.10.70 1 1 pag. 481
 ● C37516.10.80 1 1 pag. 481
 ● C37516.10.85 1 1 pag. 481
 ● C37516.10.90 1 1 pag. 481

C40001.xx.xx 1 10 pag. 117
 C40010.xx.xx 1 10 pag. 117
 C40016.25.25 1 10 pag. 117
 C40016.25.30 1 10 pag. 117
 C40016.25.35 1 10 pag. 117
 C40016.25.40 1 10 pag. 117
 C40016.25.45 1 10 pag. 117
 C40016.25.50 1 10 pag. 117
 C40016.25.55 1 10 pag. 117
 C40016.25.65 1 10 pag. 117
 C40016.25.75 1 10 pag. 117
 C40016.30.30 1 10 pag. 117
 C40016.30.35 1 10 pag. 117
 C40016.30.40 1 10 pag. 117
 C40016.30.45 1 10 pag. 117
 C40016.30.50 1 10 pag. 117
 C40016.30.55 1 10 pag. 117
 C40016.30.70 1 10 pag. 117
 C40016.33.33 1 10 pag. 117
 C40016.35.35 1 10 pag. 117
 C40016.35.40 1 10 pag. 117
 C40016.35.45 1 10 pag. 117
 C40016.35.50 1 10 pag. 117
 C40016.35.55 1 10 pag. 117
 C40016.35.75 1 10 pag. 117
 C40016.40.40 1 10 pag. 117
 C40016.40.45 1 10 pag. 117
 C40016.40.50 1 10 pag. 117
 C40016.40.60 1 10 pag. 117
 C40016.40.65 1 10 pag. 117
 C40016.45.45 1 10 pag. 117
 C40016.45.55 1 10 pag. 117
 C40016.55.55 1 10 pag. 117
 C47516.10.35 1 1 pag. 482
 C47516.10.40 1 1 pag. 482
 C47516.10.45 1 1 pag. 482
 C47516.10.50 1 1 pag. 482
 C47516.10.55 1 1 pag. 482
 C47516.10.60 1 1 pag. 482
 C47516.10.65 1 1 pag. 482
 ● C47516.10.70 1 1 pag. 482
 ● C47516.10.75 1 1 pag. 482
 ● C479xx.xx.xx 1 10 pag. 117
 ● C488xx.xx.xx 1 10 pag. 119
 C50001.xx.xx 1 10 pag. 118
 C50010.xx.xx 1 10 pag. 118
 C50016.22.22 1 10 pag. 118
 C50016.22.28 1 10 pag. 118
 C50016.22.32 1 10 pag. 118
 C50016.22.38 1 10 pag. 118
 C50016.22.48 1 10 pag. 118
 C50016.25.25 1 10 pag. 118
 C50016.25.30 1 10 pag. 118
 C50016.25.35 1 10 pag. 118
 C50016.25.40 1 10 pag. 118
 C50016.25.45 1 10 pag. 118
 C50016.25.50 1 10 pag. 118
 C50016.25.55 1 10 pag. 118
 C50016.25.65 1 10 pag. 118
 C50016.25.75 1 10 pag. 118
 C50016.28.28 1 10 pag. 118
 C50016.30.30 1 10 pag. 118
 C50016.30.35 1 10 pag. 118
 C50016.30.40 1 10 pag. 118
 C50016.30.45 1 10 pag. 118
 C50016.30.50 1 10 pag. 118

Code			Code			Code				
C60301.40.45	10	100	pag.	123		C63801.55.25	1	1	pag.	89
C60301.40.50	10	100	pag.	123		C63806.xx.xx	1	1	pag.	89
C60301.40.60	10	100	pag.	123		C63810.xx.xx	1	1	pag.	89
C60301.40.65	10	100	pag.	123		C63816.xx.xx	1	1	pag.	89
C60301.45.45	10	100	pag.	123		C64300.24.06	1	1	pag.	129
C60301.45.55	10	100	pag.	123		C64304.04.06	100	1200	pag.	129
C60301.55.55	10	100	pag.	123		C64305.04.06	100	1200	pag.	89
C60306.xx.xx	10	100	pag.	123		C64305.04.06	100	1200	pag.	129
C60310.xx.xx	10	100	pag.	123		C64405.04.06	100	1200	pag.	129
C60316.xx.xx	10	100	pag.	123		C64593.00.00	1	25	pag.	482
C61801.xx.xx	10	100	pag.	124		C66101.25.25	1	50	pag.	125
C61901.xx.xx	10	100	pag.	123		C66101.25.35	1	50	pag.	125
C62001.22.28	1	50	pag.	125		C66101.30.30	1	50	pag.	125
C62001.22.32	1	50	pag.	125		C66101.35.25	1	50	pag.	125
C62001.25.25	1	50	pag.	125		C66110.xx.xx	1	50	pag.	125
C62001.25.30	1	50	pag.	125		C66116.xx.xx	1	50	pag.	125
C62001.25.35	1	50	pag.	125		C67501.10.35	1	1	pag.	482
C62001.25.40	1	50	pag.	125		C67501.10.40	1	1	pag.	482
C62001.25.45	1	50	pag.	125		C67501.10.45	1	1	pag.	482
C62001.25.50	1	50	pag.	125		C67501.10.50	1	1	pag.	482
C62001.25.55	1	50	pag.	125		C67501.10.55	1	1	pag.	482
C62001.25.65	1	50	pag.	125		C67501.10.60	1	1	pag.	482
C62001.25.70	1	50	pag.	125		C67501.10.65	1	1	pag.	482
C62001.28.22	1	50	pag.	125		C67501.10.70	1	1	pag.	482
C62001.28.28	1	50	pag.	125		C67501.10.75	1	1	pag.	482
C62001.30.25	1	50	pag.	125		C67601.10.05	1	10	pag.	481
C62001.30.30	1	50	pag.	125		C70101.25.25	1	1	pag.	87
C62001.30.35	1	50	pag.	125		C70101.25.30	1	1	pag.	87
C62001.30.40	1	50	pag.	125		C70101.25.35	1	1	pag.	87
C62001.30.70	1	50	pag.	125		C70101.25.40	1	1	pag.	87
C62001.35.25	1	50	pag.	125		C70101.25.45	1	1	pag.	87
C62001.35.30	1	50	pag.	125		C70101.25.55	1	1	pag.	87
C62001.35.35	1	50	pag.	125		C70101.30.30	1	1	pag.	87
C62001.35.40	1	50	pag.	125		C70101.30.35	1	1	pag.	87
C62001.35.45	1	50	pag.	125		C70101.30.40	1	1	pag.	87
C62001.35.50	1	50	pag.	125		C70101.30.45	1	1	pag.	87
C62001.40.25	1	50	pag.	125		C70101.35.35	1	1	pag.	87
C62001.40.30	1	50	pag.	125		C70101.35.40	1	1	pag.	87
C62001.40.35	1	50	pag.	125		C70101.35.45	1	1	pag.	87
C62001.40.40	1	50	pag.	125		C70101.45.45	1	1	pag.	87
C62001.40.50	1	50	pag.	125		C70106.xx.xx	1	1	pag.	87
C62001.40.55	1	50	pag.	125		C70110.xx.xx	1	1	pag.	87
C62001.40.65	1	50	pag.	125		C70116.xx.xx	1	1	pag.	87
C62001.45.25	1	50	pag.	125		C72101.25.25	1	1	pag.	86
C62001.45.35	1	50	pag.	125		C72101.25.30	1	1	pag.	86
C62001.45.45	1	50	pag.	125		C72101.25.35	1	1	pag.	86
C62001.50.40	1	50	pag.	125		C72101.25.40	1	1	pag.	86
C62001.50.60	1	50	pag.	125		C72101.25.50	1	1	pag.	86
C62001.55.25	1	50	pag.	125		C72101.30.25	1	1	pag.	86
C62001.55.40	1	50	pag.	125		C72101.30.30	1	1	pag.	86
C62001.60.50	1	50	pag.	125		C72101.30.35	1	1	pag.	86
C62006.xx.xx	1	50	pag.	125		C72101.30.40	1	1	pag.	86
C62010.xx.xx	1	50	pag.	125		C72101.30.45	1	1	pag.	86
C62016.xx.xx	1	50	pag.	125		C72101.30.50	1	1	pag.	86
C62301.25.25	1	50	pag.	127		C72101.35.25	1	1	pag.	86
C62301.25.30	1	50	pag.	127		C72101.35.30	1	1	pag.	86
C62301.25.35	1	50	pag.	127		C72101.35.35	1	1	pag.	86
C62310.xx.xx	1	50	pag.	127		C72101.35.40	1	1	pag.	86
C62316.xx.xx	1	50	pag.	127		C72101.40.25	1	1	pag.	86
C62401.25.25	1	50	pag.	126		C72101.40.30	1	1	pag.	86
C62401.25.30	1	50	pag.	126		C72101.40.35	1	1	pag.	86
C62401.25.35	1	50	pag.	126		C72101.40.40	1	1	pag.	86
C62401.25.40	1	50	pag.	126		C72101.40.50	1	1	pag.	86
C62401.25.45	1	50	pag.	126		C72101.45.25	1	1	pag.	86
C62401.25.70	1	50	pag.	126		C72101.45.30	1	1	pag.	86
C62401.30.25	1	50	pag.	126		C72101.45.35	1	1	pag.	86
C62401.30.30	1	50	pag.	126						
C62401.30.35	1	50	pag.	126						
C62401.30.40	1	50	pag.	126						
C62401.30.45	1	50	pag.	126						
C62401.35.25	1	50	pag.	126						
C62401.35.35	1	50	pag.	126						
C62401.35.40	1	50	pag.	126						
C62401.35.45	1	50	pag.	126						
C62401.40.25	1	50	pag.	126						
C62401.40.30	1	50	pag.	126						
C62401.40.35	1	50	pag.	126						
C62401.40.40	1	50	pag.	126						
C62401.40.55	1	50	pag.	126						
C62401.40.65	1	50	pag.	126						
C62401.45.25	1	50	pag.	126						
C62401.45.35	1	50	pag.	126						
C62401.45.45	1	50	pag.	126						
C62410.xx.xx	1	50	pag.	126						
C62416.xx.xx	1	50	pag.	126						
C62501.25.05	1	50	pag.	127						
C62510.xx.xx	1	50	pag.	127						
C62516.xx.xx	1	50	pag.	127						
C62601.xx.xx	1	50	pag.	125						
C62701.25.05	1	50	pag.	126						
C62701.30.05	1	50	pag.	126						
C62701.35.05	1	50	pag.	126						
C62701.40.05	1	50	pag.	126						
C62701.45.05	1	50	pag.	126						
C62710.xx.xx	1	50	pag.	126						
C62716.xx.xx	1	50	pag.	126						
C63001.05.22	10	100	pag.	124						
C63001.05.25	10	100	pag.	124						
C63001.05.30	10	100	pag.	124						
C63001.05.35	10	100	pag.	124						
C63001.05.40	10	100	pag.	124						
C63001.05.45	10	100	pag.	124						
C63010.xx.xx	10	100	pag.	124						
C63016.xx.xx	10	100	pag.	124						
C63101.25.05	1	100	pag.	126						
C63101.30.05	1	100	pag.	126						
C63101.35.05	1	100	pag.	126						
C63101.40.05	1	100	pag.	126						
C63101.45.05	1	100	pag.	126						
C63106.xx.xx	10	100	pag.	126						
C63110.xx.xx	10	100	pag.	126						
C63116.xx.xx	10	100	pag.	126						
C63601.xx.xx	10	100	pag.	124						
C63801.25.25	1	1	pag.	89						
C63801.25.30	1	1	pag.	89						
C63801.25.35	1	1	pag.	89						
C63801.25.40	1	1	pag.	89						
C63801.30.25	1	1	pag.	89						
C63801.30.30	1	1	pag.	89						
C63801.30.40	1	1	pag.	89						
C63801.35.25	1	1	pag.	89						
C63801.35.30	1	1	pag.	89						
C63801.35.35	1	1	pag.	89						
C63801.35.40	1	1	pag.	89						
C63801.40.25	1	1	pag.	89						
C63801.40.30	1	1	pag.	89						
C63801.40.35	1	1	pag.	89						
C63801.40.40	1	1	pag.	89						
C63801.45.25	1	1	pag.	89						
C63801.45.35	1	1	pag.	89						
C63801.45.45	1	1	pag.	89						
C63801.50.40	1	1	pag.	89						

Code  


C72101.45.45 1 1 pag. 86
 C72101.50.40 1 1 pag. 86
 C72101.55.25 1 1 pag. 86
 C72101.55.30 1 1 pag. 86
 C72101.55.35 1 1 pag. 86
 C72101.55.40 1 1 pag. 86
 C72101.60.50 1 1 pag. 86
 C72106.xx.xx 1 1 pag. 86
 C72108.xx.xx 1 1 pag. 86
 C72110.xx.xx 1 1 pag. 86
 C72116.xx.xx 1 1 pag. 86
 C73801.25.25 1 1 pag. 88
 C73801.25.30 1 1 pag. 88
 C73801.25.35 1 1 pag. 88
 C73801.25.40 1 1 pag. 88
 C73801.25.50 1 1 pag. 88
 C73801.25.55 1 1 pag. 88
 C73801.30.25 1 1 pag. 88
 C73801.30.30 1 1 pag. 88
 C73801.30.35 1 1 pag. 88
 C73801.30.40 1 1 pag. 88
 C73801.30.45 1 1 pag. 88
 C73801.35.25 1 1 pag. 88
 C73801.35.30 1 1 pag. 88
 C73801.35.35 1 1 pag. 88
 C73801.35.40 1 1 pag. 88
 C73801.40.25 1 1 pag. 88
 C73801.40.30 1 1 pag. 88
 C73801.40.35 1 1 pag. 88
 C73801.40.40 1 1 pag. 88
 C73801.40.65 1 1 pag. 88
 C73801.45.25 1 1 pag. 88
 C73801.45.30 1 1 pag. 88
 C73801.45.35 1 1 pag. 88
 C73801.45.45 1 1 pag. 88
 C73801.50.30 1 1 pag. 88
 C73801.50.40 1 1 pag. 88
 C73801.55.25 1 1 pag. 88
 C73801.55.35 1 1 pag. 88
 C73801.55.40 1 1 pag. 88
 C73801.60.50 1 1 pag. 88
 C73806.xx.xx 1 1 pag. 88
 C73810.xx.xx 1 1 pag. 88
 C73816.xx.xx 1 1 pag. 88
 C74300.04.01 50 50 pag. 89
 C74300.04.01 50 50 pag. 129
 C74300.24.01 1 1 pag. 129
 C75001.25.25 1 1 pag. 87
 C75001.25.30 1 1 pag. 87
 C75001.25.35 1 1 pag. 87
 C75001.25.40 1 1 pag. 87
 C75001.30.25 1 1 pag. 87
 C75001.30.30 1 1 pag. 87
 C75001.30.35 1 1 pag. 87
 C75001.30.40 1 1 pag. 87
 C75001.35.25 1 1 pag. 87
 C75001.35.30 1 1 pag. 87
 C75001.35.35 1 1 pag. 87
 C75001.35.40 1 1 pag. 87
 C75001.40.25 1 1 pag. 87
 C75001.40.30 1 1 pag. 87
 C75001.40.35 1 1 pag. 87
 C75001.40.40 1 1 pag. 87
 C75001.45.25 1 1 pag. 87
 C75001.45.30 1 1 pag. 87
 C75001.45.35 1 1 pag. 87

Code  

C75001.50.40 1 1 pag. 87
 C75001.55.25 1 1 pag. 87
 C75001.55.35 1 1 pag. 87
 C75001.55.40 1 1 pag. 87
 C75006.xx.xx 1 1 pag. 87
 C75010.xx.xx 1 1 pag. 87
 C75016.xx.xx 1 1 pag. 87
 C90006.xx.xx 5 50 pag. 110
 C90010.xx.xx 5 50 pag. 110
 C90016.25.25 5 50 pag. 110
 C90016.25.30 5 50 pag. 110
 C90016.25.35 5 50 pag. 110
 C90016.25.40 5 50 pag. 110
 C90016.25.45 5 50 pag. 110
 C90016.25.50 5 50 pag. 110
 C90016.25.55 5 50 pag. 110
 C90016.25.60 5 50 pag. 110
 C90016.25.65 5 50 pag. 110
 C90016.25.75 5 50 pag. 110
 C90016.28.28 5 50 pag. 110
 C90016.30.30 5 50 pag. 110
 C90016.30.35 5 50 pag. 110
 C90016.30.40 5 50 pag. 110
 C90016.30.45 5 50 pag. 110
 C90016.30.50 5 50 pag. 110
 C90016.30.55 5 50 pag. 110
 C90016.33.33 5 50 pag. 110
 C90016.35.35 5 50 pag. 110
 C90016.35.40 5 50 pag. 110
 C90016.35.45 5 50 pag. 110
 C90016.35.50 5 50 pag. 110
 C90016.35.55 5 50 pag. 110
 C90016.35.65 5 50 pag. 110
 C90016.35.75 5 50 pag. 110
 C90016.40.40 5 50 pag. 110
 C90016.40.45 5 50 pag. 110
 C90016.40.50 5 50 pag. 110
 C90016.40.60 5 50 pag. 110
 C90016.40.65 5 50 pag. 110
 C90016.40.70 5 50 pag. 110
 C90016.45.45 5 50 pag. 110
 C90016.50.60 5 50 pag. 110
 C90016.55.55 5 50 pag. 110
 C92006.xx.xx 1 50 pag. 111
 C92010.xx.xx 1 50 pag. 111
 C92016.25.25 1 50 pag. 111
 C92016.25.30 1 50 pag. 111
 C92016.25.35 1 50 pag. 111
 C92016.25.40 1 50 pag. 111
 C92016.25.45 1 50 pag. 111
 C92016.25.50 1 50 pag. 111
 C92016.25.55 1 50 pag. 111
 C92016.25.65 1 50 pag. 111
 C92016.25.75 1 50 pag. 111
 C92016.28.28 1 50 pag. 111
 C92016.30.25 1 50 pag. 111
 C92016.30.30 1 50 pag. 111
 C92016.30.35 1 50 pag. 111
 C92016.30.40 1 50 pag. 111
 C92016.30.45 1 50 pag. 111
 C92016.30.55 1 50 pag. 111
 C92016.30.65 1 50 pag. 111
 C92016.30.70 1 50 pag. 111
 C92016.35.25 1 50 pag. 111
 C92016.35.30 1 50 pag. 111
 C92016.35.35 1 50 pag. 111

Code  

C92016.35.40 1 50 pag. 111
 C92016.35.45 1 50 pag. 111
 C92016.35.50 1 50 pag. 111
 C92016.35.55 1 50 pag. 111
 C92016.40.25 1 50 pag. 111
 C92016.40.30 1 50 pag. 111
 C92016.40.35 1 50 pag. 111
 C92016.40.40 1 50 pag. 111
 C92016.40.45 1 50 pag. 111
 C92016.40.50 1 50 pag. 111
 C92016.40.55 1 50 pag. 111
 C92016.40.65 1 50 pag. 111
 C92016.40.70 1 50 pag. 111
 C92016.45.25 1 50 pag. 111
 C92016.45.30 1 50 pag. 111
 C92016.45.35 1 50 pag. 111
 C92016.45.45 1 50 pag. 111
 C92016.50.30 1 50 pag. 111
 C92016.50.40 1 50 pag. 111
 C92016.50.60 1 50 pag. 111
 C92016.55.25 1 50 pag. 111
 C92016.55.35 1 50 pag. 111
 C92016.55.40 1 50 pag. 111
 C92016.60.50 1 50 pag. 111
 C92016.65.25 1 50 pag. 111
 C92016.70.40 1 50 pag. 111
 C92016.75.25 1 50 pag. 111
 C92306.xx.xx 5 50 pag. 112
 C92310.xx.xx 5 50 pag. 112
 C92316.25.25 5 50 pag. 112
 C92316.25.30 5 50 pag. 112
 C92316.25.35 5 50 pag. 112
 C92316.25.40 5 50 pag. 112
 C92316.25.45 5 50 pag. 112
 C92316.25.55 5 50 pag. 112
 C92316.25.65 5 50 pag. 112
 C92406.xx.xx 5 50 pag. 112
 C92410.xx.xx 5 50 pag. 112
 C92416.25.25 5 50 pag. 112
 C92416.25.30 5 50 pag. 112
 C92416.25.35 5 50 pag. 112
 C92416.25.40 5 50 pag. 112
 C92416.25.45 5 50 pag. 112
 C92416.25.55 5 50 pag. 112
 C92416.30.25 5 50 pag. 112
 C92416.30.30 5 50 pag. 112
 C92416.30.35 5 50 pag. 112
 C92416.30.40 5 50 pag. 112
 C92416.30.45 5 50 pag. 112
 C92416.35.25 5 50 pag. 112
 C92416.35.30 5 50 pag. 112
 C92416.35.35 5 50 pag. 112
 C92416.35.40 5 50 pag. 112
 C92416.35.45 5 50 pag. 112
 C92416.40.25 5 50 pag. 112
 C92416.40.30 5 50 pag. 112
 C92416.40.35 5 50 pag. 112
 C92416.40.40 5 50 pag. 112
 C92416.40.50 5 50 pag. 112
 C92416.40.65 5 50 pag. 112
 C92416.45.25 5 50 pag. 112
 C92416.45.30 5 50 pag. 112
 C92416.45.35 5 50 pag. 112
 C92416.45.45 5 50 pag. 112
 C93006.xx.xx 5 50 pag. 110
 C93010.xx.xx 5 50 pag. 110

Code Code Code 

C93016.05.25 5 50 pag. 110
 C93016.05.30 5 50 pag. 110
 C93016.05.35 5 50 pag. 110
 C93016.05.40 5 50 pag. 110
 C93016.05.45 5 50 pag. 110
 C93016.05.50 5 50 pag. 110
 C93016.05.55 5 50 pag. 110
 C93016.05.65 5 50 pag. 110
 C93016.05.75 5 50 pag. 110
 C94000.00.01 1 1 pag. 128
 C94300.02.01 50 50 pag. 89
 C94300.03.01 50 50 pag. 89
 C94300.04.01 50 50 pag. 129
 C94300.24.01 1 1 pag. 129
 C94600.10.32 1 10 pag. 128
 C94600.10.35 1 10 pag. 128
 C94600.12.32 1 10 pag. 128
 C94600.12.35 1 10 pag. 128
 C94600.14.32 1 10 pag. 128
 C94600.14.35 1 10 pag. 128
 C94600.16.32 1 10 pag. 128
 C94600.16.35 1 10 pag. 128
 C94600.18.32 1 10 pag. 128
 C94600.18.35 1 10 pag. 128
 C94700.10.32 1 10 pag. 128
 C94700.10.32 1 10 pag. 480
 C94700.10.35 1 10 pag. 128
 C94700.10.35 1 10 pag. 480
 C94700.12.32 1 10 pag. 128
 C94700.12.32 1 10 pag. 480
 C94700.12.35 1 10 pag. 128
 C94700.12.35 1 10 pag. 480
 C94700.14.32 1 10 pag. 128
 C94700.14.32 1 10 pag. 480
 C94700.14.35 1 10 pag. 128
 C94700.14.35 1 10 pag. 480
 C94700.16.32 1 10 pag. 128
 C94700.16.32 1 10 pag. 480
 C94700.16.35 1 10 pag. 128
 C94700.16.35 1 10 pag. 480
 C94700.18.32 1 10 pag. 128
 C94700.18.32 1 10 pag. 480
 C94700.18.35 1 10 pag. 128
 C94700.18.35 1 10 pag. 480
 C94850.10.32 1 10 pag. 128
 C94850.10.35 1 10 pag. 128
 C94850.12.32 1 10 pag. 128
 C94850.12.35 1 10 pag. 128
 C94850.14.32 1 10 pag. 128
 C94850.14.35 1 10 pag. 128
 C94850.16.32 1 10 pag. 128
 C94850.16.35 1 10 pag. 128
 C94850.18.32 1 10 pag. 128
 C94850.18.35 1 10 pag. 128
 C97516.10.35 1 1 pag. 481
 C97516.10.40 1 1 pag. 481
 C97516.10.45 1 1 pag. 481
 C97516.10.50 1 1 pag. 481
 C97516.10.55 1 1 pag. 481
 C97516.10.60 1 1 pag. 481
 C97516.10.65 1 1 pag. 481
 ● C97516.10.70 1 1 pag. 481
 ● C97516.10.75 1 1 pag. 481
 C97800.01.52 100 100 pag. 129
 C97800.01.62 100 100 pag. 129
 C97800.01.82 100 100 pag. 129

C97800.01.87 100 100 pag. 129
 C97800.01.92 100 100 pag. 129
 C97800.05.00 20 20 pag. 129
 D00300.12.02 20 400 pag. 181
 D00300.12.03 20 400 pag. 181
 D00300.12.04 20 400 pag. 181
 D00300.12.06 20 400 pag. 181
 D00300.15.02 20 400 pag. 181
 D00300.15.03 20 400 pag. 181
 D00300.15.04 20 400 pag. 181
 D00300.15.06 20 400 pag. 181
 D00300.20.02 20 160 pag. 181
 D00300.20.03 20 160 pag. 181
 D00300.20.04 20 160 pag. 181
 D00300.25.02 20 180 pag. 181
 D00300.25.03 20 180 pag. 181
 D00300.25.04 20 180 pag. 181
 D00300.30.02 20 200 pag. 181
 D00300.30.03 20 200 pag. 181
 D00300.30.04 20 200 pag. 181
 D00301.08.01 200 2000 pag. 184
 D00301.10.01 200 2000 pag. 184
 D00301.13.01 100 1000 pag. 184
 D00310.12.02 20 340 pag. 181
 D00310.12.03 20 340 pag. 181
 D00310.12.04 20 340 pag. 181
 D00310.15.02 20 360 pag. 181
 D00310.15.03 20 360 pag. 181
 D00310.15.04 20 360 pag. 181
 D00310.20.02 20 240 pag. 181
 D00310.20.03 20 240 pag. 181
 D00310.20.04 20 240 pag. 181
 D00310.25.02 20 180 pag. 181
 D00310.25.03 20 180 pag. 181
 D00310.25.04 20 180 pag. 181
 D00310.30.02 20 180 pag. 181
 D00310.30.03 20 180 pag. 181
 D00310.30.04 20 180 pag. 181
 D00310.40.02 20 120 pag. 181
 D00310.40.03 20 120 pag. 181
 D00310.40.04 20 120 pag. 181
 D00310.50.02 20 100 pag. 181
 D00310.50.03 20 100 pag. 181
 D00310.50.04 20 100 pag. 181
 D00320.15.02 20 360 pag. 182
 D00320.15.03 20 360 pag. 182
 D00320.15.04 20 360 pag. 182
 D00320.15.05 20 360 pag. 182
 D00320.15.06 20 360 pag. 182
 D00320.15.34 20 360 pag. 182
 D00320.20.02 20 240 pag. 182
 D00320.20.03 20 240 pag. 182
 D00320.20.04 20 240 pag. 182
 D00320.20.06 20 240 pag. 182
 D00320.20.34 20 240 pag. 182
 D00320.25.02 20 180 pag. 182
 D00320.25.03 20 180 pag. 182
 D00320.25.04 20 180 pag. 182
 D00320.25.06 20 180 pag. 182
 D00320.25.34 20 180 pag. 182
 D00320.30.02 20 180 pag. 182
 D00320.30.03 20 180 pag. 182
 D00320.30.04 20 180 pag. 182
 D00320.30.06 20 180 pag. 182
 D00320.30.34 20 180 pag. 182
 D00320.40.02 20 120 pag. 182

D00320.40.03 20 120 pag. 182
 D00320.40.04 20 120 pag. 182
 D00320.40.06 20 120 pag. 182
 D00320.40.34 20 120 pag. 182
 D00320.50.02 20 100 pag. 182
 D00320.50.03 20 100 pag. 182
 D00320.50.04 20 100 pag. 182
 D00320.50.06 20 100 pag. 182
 D00320.60.02 20 100 pag. 182
 D00320.60.03 20 100 pag. 182
 D00320.60.04 20 100 pag. 182
 D00320.60.06 20 100 pag. 182
 D00320.70.02 20 100 pag. 182
 D00320.70.03 20 100 pag. 182
 D00320.70.04 20 100 pag. 182
 D00320.80.02 20 100 pag. 182
 D00320.80.03 20 100 pag. 182
 D00320.80.04 20 100 pag. 182
 D00320.80.06 20 100 pag. 182
 D00321.15.10 20 360 pag. 182
 D00321.20.10 20 240 pag. 182
 D00321.25.10 20 180 pag. 182
 D00321.30.10 20 180 pag. 182
 D00321.40.10 20 120 pag. 182
 D00321.50.10 20 100 pag. 182
 D00321.60.10 20 100 pag. 182
 D00321.80.10 20 100 pag. 182
 D00330.20.04 10 90 pag. 183
 D00330.30.04 10 80 pag. 183
 D00330.40.04 10 80 pag. 183
 D00330.50.04 10 70 pag. 183
 D00331.20.02 10 90 pag. 183
 D00331.20.04 10 90 pag. 183
 D00331.30.02 10 80 pag. 183
 D00331.30.04 10 80 pag. 183
 D00331.40.02 10 80 pag. 183
 D00331.40.04 10 80 pag. 183
 D00331.50.02 10 70 pag. 183
 D00331.50.04 10 70 pag. 183
 D00333.01.02 50 500 pag. 184
 D00333.01.04 50 500 pag. 184
 D00333.02.02 50 500 pag. 184
 D00333.02.04 50 500 pag. 184
 D00333.02.93 50 500 pag. 184
 D00333.03.04 50 500 pag. 184
 D00338.20.02 10 90 pag. 183
 D00338.20.04 10 90 pag. 183
 D00338.20.93 10 90 pag. 183
 D00338.30.02 10 80 pag. 183
 D00338.30.04 10 80 pag. 183
 D00338.30.15 10 80 pag. 183
 D00338.30.93 10 80 pag. 183
 D00338.40.02 10 80 pag. 183
 D00338.40.04 10 80 pag. 183
 D00338.40.93 10 80 pag. 183
 D00338.50.02 10 70 pag. 183
 D00338.50.04 10 70 pag. 183
 D00338.50.93 10 70 pag. 183
 D00350.20.02 10 60 pag. 182
 D00350.20.04 10 60 pag. 182
 D00350.20.15 10 60 pag. 182
 D00350.25.02 10 90 pag. 182
 D00350.25.04 10 90 pag. 182
 D00350.25.15 10 90 pag. 182
 D00350.30.02 10 90 pag. 182
 D00350.30.04 10 90 pag. 182

Code  

D00350.30.15 10 90 pag. 182
D00350.40.02 10 80 pag. 182
D00350.40.04 10 80 pag. 182
D00350.40.15 10 80 pag. 182
D00350.99.93 20 20 pag. 184
E00013.09.01 1 1 pag. 160
E00013.09.02 1 1 pag. 160
E00013.09.03 1 1 pag. 160
E00013.09.04 1 1 pag. 160
E00013.11.01 1 1 pag. 160
E00013.11.03 1 1 pag. 160
E00013.11.04 1 1 pag. 160
E00013.13.01 1 1 pag. 160
E00013.13.02 1 1 pag. 160
E00013.13.03 1 1 pag. 160
E00013.13.04 1 1 pag. 160
E00013.13.05 1 1 pag. 161
E00013.13.06 1 1 pag. 160
E00013.14.01 1 1 pag. 160
E00013.14.03 1 1 pag. 160
E00013.14.04 1 1 pag. 160
E00013.14.06 1 1 pag. 160
E00013.14.75 1 1 pag. 160
E00013.16.01 1 1 pag. 160
E00013.16.02 1 1 pag. 160
E00013.16.03 1 1 pag. 160
E00013.16.04 1 1 pag. 160
E00013.16.05 1 1 pag. 161
E00013.16.06 1 1 pag. 160
E00013.18.01 1 1 pag. 160
E00013.18.03 1 1 pag. 160
E00013.18.04 1 1 pag. 160
E00013.18.05 1 1 pag. 161
E00013.20.03 1 1 pag. 160
E00013.20.04 1 1 pag. 160
E00014.03.01 1 1 pag. 161
E00014.04.01 1 1 pag. 161
E00014.04.02 1 1 pag. 160
E00014.05.01 1 1 pag. 161
E00014.05.02 1 1 pag. 160
E00019.14.01 1 1 pag. 160
E00050.09.01 20 20 pag. 159
E00050.11.01 20 20 pag. 159
E00051.00.01 3003000 pag. 159
E00051.00.02 3003000 pag. 159
E00051.00.04 3003000 pag. 159
E00112.09.01 1 1 pag. 162
E00112.11.01 1 1 pag. 162
E00112.13.01 1 1 pag. 162
E00112.13.02 1 1 pag. 163
E00112.14.01 1 1 pag. 162
E00112.14.02 1 1 pag. 163
E00112.16.01 1 1 pag. 162
E00112.16.02 1 1 pag. 163
E00112.16.03 1 1 pag. 163
E00112.16.04 1 1 pag. 164
E00112.16.05 1 1 pag. 165
E00112.18.01 1 1 pag. 162
E00112.18.03 1 1 pag. 163
E00112.20.03 1 1 pag. 163
E00112.20.04 1 1 pag. 164
E00112.20.05 1 1 pag. 165
E00113.09.02 1501500 pag. 142
E00113.09.03 1501500 pag. 142
E00113.09.04 1501500 pag. 142
E00113.09.06 1501500 pag. 142

Code  



E00113.13.02 100 400 pag. 142
E00113.13.03 100 400 pag. 142
E00113.13.04 100 400 pag. 142
E00113.13.06 100 400 pag. 142
E00113.14.02 100 300 pag. 142
E00113.14.03 100 300 pag. 142
E00113.14.04 100 300 pag. 142
E00113.16.02 50 200 pag. 142
E00113.16.03 50 200 pag. 142
E00113.16.04 50 200 pag. 142
E00113.16.06 50 200 pag. 142
E00115.09.01 1 1 pag. 166
E00115.11.01 1 1 pag. 166
E00115.13.01 1 1 pag. 166
E00115.13.02 1 1 pag. 167
E00115.14.01 1 1 pag. 166
E00115.14.02 1 1 pag. 167
E00115.16.01 1 1 pag. 166
E00115.16.02 1 1 pag. 167
E00115.16.03 1 1 pag. 167
E00115.16.04 1 1 pag. 168
E00115.18.01 1 1 pag. 166
E00115.18.03 1 1 pag. 167
E00115.20.03 1 1 pag. 167
E00115.20.04 1 1 pag. 168
E00116.13.03 100 400 pag. 142
E00116.13.04 100 400 pag. 142
E00116.14.02 100 300 pag. 142
E00116.14.03 100 300 pag. 142
E00116.14.04 100 300 pag. 142
E00116.16.02 50 200 pag. 142
E00116.16.03 50 200 pag. 142
E00116.16.04 50 200 pag. 142
E00117.13.02 100 400 pag. 143
E00117.13.03 100 400 pag. 143
E00117.13.04 100 400 pag. 143
E00117.13.06 100 400 pag. 143
E00118.13.02 100 400 pag. 142
E00118.13.03 100 400 pag. 142
E00118.13.04 100 400 pag. 142
E00118.13.06 100 400 pag. 142
E00118.13.15 100 400 pag. 142
E00118.13.34 40 320 pag. 142
E00118.14.02 100 300 pag. 142
E00118.14.03 100 300 pag. 142
E00118.14.06 100 300 pag. 142
E00118.14.15 100 300 pag. 142
E00118.14.34 40 320 pag. 142
E00118.16.02 50 200 pag. 142
E00118.16.03 50 200 pag. 142
E00118.16.04 50 200 pag. 142
E00118.16.15 50 200 pag. 142
E00118.16.34 50 200 pag. 142
E00119.09.02 1001000 pag. 140
E00119.09.03 1001000 pag. 140
E00119.09.04 1001000 pag. 140
E00119.09.06 1001000 pag. 140
E00119.09.34 1001000 pag. 140
E00119.09.91 1001000 pag. 140
E00119.09.93 1001000 pag. 140
E00119.11.02 80 800 pag. 140
E00119.11.03 80 800 pag. 140
E00119.11.04 80 800 pag. 140
E00119.11.06 80 800 pag. 140
E00119.11.34 80 800 pag. 140

Code  

E00119.13.01 100 400 pag. 140
E00119.13.02 100 400 pag. 140
E00119.13.03 100 400 pag. 140
E00119.13.04 100 400 pag. 140
E00119.13.06 100 400 pag. 140
E00119.13.15 100 400 pag. 140
E00119.13.34 40 400 pag. 140
E00119.14.01 100 300 pag. 140
E00119.14.02 100 300 pag. 140
E00119.14.03 100 300 pag. 140
E00119.14.04 100 300 pag. 140
E00119.14.06 100 300 pag. 140
E00119.14.15 100 300 pag. 140
E00119.14.34 40 320 pag. 140
E00119.16.02 50 200 pag. 140
E00119.16.03 50 200 pag. 140
E00119.16.04 50 200 pag. 140
E00119.16.06 50 200 pag. 140
E00119.16.15 50 200 pag. 140
E00119.16.34 50 200 pag. 140
E00119.20.02 10 100 pag. 140
E00119.20.04 10 100 pag. 140
E00120.09.91 1001000 pag. 141
E00120.09.93 1001000 pag. 141
E00120.11.91 80 800 pag. 141
E00120.11.93 80 800 pag. 141
E00120.13.02 100 400 pag. 141
E00120.13.03 100 400 pag. 141
E00120.13.04 100 400 pag. 141
E00120.13.91 40 400 pag. 141
E00120.13.93 40 400 pag. 141
E00120.14.02 100 300 pag. 141
E00120.14.03 100 300 pag. 141
E00120.14.04 100 300 pag. 141
E00120.14.91 40 320 pag. 141
E00120.14.93 40 320 pag. 141
E00120.16.02 50 200 pag. 141
E00120.16.03 50 200 pag. 141
E00120.16.04 50 200 pag. 141
E00120.16.91 40 200 pag. 141
E00120.16.93 40 200 pag. 141
E00121.13.91 40 400 pag. 170
E00121.13.94 40 400 pag. 170
E00121.14.91 40 200 pag. 170
E00121.14.94 40 200 pag. 170
E00122.13.10 1001000 pag. 155
E00122.13.34 1001000 pag. 155
E00122.14.10 1001000 pag. 155
E00122.14.34 1001000 pag. 155
E00122.16.10 1001000 pag. 155
E00123.13.06 2002000 pag. 155
E00123.13.14 2002000 pag. 155
E00123.13.21 2002000 pag. 155
E00123.13.50 2002000 pag. 155
E00123.13.91 2002000 pag. 155
E00123.13.93 2002000 pag. 155
E00123.13.94 2002000 pag. 155
E00123.14.06 2001000 pag. 155
E00123.14.14 2001000 pag. 155
E00123.14.21 2001000 pag. 155
E00123.14.50 2001000 pag. 155
E00123.14.91 2001000 pag. 155
E00123.14.93 2001000 pag. 155
E00123.14.94 2001000 pag. 155
E00124.09.02 1001000 pag. 140
E00124.09.06 1001000 pag. 140

Code  



E00124.09.08 100 1000 pag. 140
 E00124.09.10 100 1000 pag. 140
 E00124.11.02 80 400 pag. 140
 E00124.11.06 80 400 pag. 140
 E00124.11.08 80 400 pag. 140
 E00124.11.10 80 400 pag. 140
 E00124.13.02 40 400 pag. 140
 E00124.13.06 40 400 pag. 140
 E00124.13.07 40 400 pag. 140
 E00124.13.08 40 400 pag. 140
 E00124.13.10 40 400 pag. 140
 E00124.14.02 40 320 pag. 140
 E00124.14.06 40 320 pag. 140
 E00124.14.07 40 320 pag. 140
 E00124.14.08 40 320 pag. 140
 E00124.14.10 40 320 pag. 140
 E00124.16.02 40 200 pag. 140
 E00124.16.06 40 200 pag. 140
 E00124.16.08 40 200 pag. 140
 E00124.16.10 40 200 pag. 140
 E00125.13.02 1 1 pag. 163
 E00125.14.01 40 320 pag. 140
 E00125.14.02 1 1 pag. 163
 E00125.14.08 40 320 pag. 140
 E00125.16.02 1 1 pag. 163
 E00125.16.03 1 1 pag. 163
 E00125.16.04 1 1 pag. 164
 E00125.18.03 1 1 pag. 163
 E00125.20.03 1 1 pag. 163
 E00125.20.04 1 1 pag. 164
 E00126.14.02 100 300 pag. 141
 E00126.14.03 100 300 pag. 141
 E00126.14.04 100 300 pag. 141
 E00127.14.02 100 300 pag. 141
 E00127.14.03 100 300 pag. 141
 E00127.14.04 100 300 pag. 141
 E00128.09.02 100 1000 pag. 145
 E00128.09.08 100 500 pag. 145
 E00128.09.10 100 500 pag. 145
 E00128.11.02 40 400 pag. 145
 E00128.11.08 40 400 pag. 145
 E00128.11.10 40 400 pag. 145
 E00128.13.02 20 200 pag. 145
 E00128.13.08 20 200 pag. 145
 E00128.13.10 20 200 pag. 145
 E00128.14.02 20 200 pag. 145
 E00128.14.08 20 200 pag. 145
 E00128.14.10 20 200 pag. 145
 E00128.16.02 20 100 pag. 145
 E00128.16.08 20 100 pag. 145
 E00128.16.10 20 100 pag. 145
 E00129.14.02 100 300 pag. 141
 E00129.14.03 100 300 pag. 141
 E00129.14.04 100 300 pag. 141
 E00130.14.02 100 300 pag. 141
 E00130.14.03 100 300 pag. 141
 E00130.14.04 100 300 pag. 141
 E00131.11.01 40 400 pag. 145
 E00131.11.02 40 400 pag. 145
 E00131.11.03 40 400 pag. 145
 E00131.11.04 40 400 pag. 145
 E00131.11.09 40 400 pag. 145
 E00131.11.93 40 400 pag. 145
 E00131.13.01 50 200 pag. 145
 E00131.13.02 50 200 pag. 145
 E00131.13.03 50 200 pag. 145



Code  



E00131.13.04 50 200 pag. 145
 E00131.13.09 50 200 pag. 145
 E00131.14.01 50 200 pag. 145
 E00131.14.02 50 200 pag. 145
 E00131.14.03 50 200 pag. 145
 E00131.14.04 50 200 pag. 145
 E00131.14.09 50 200 pag. 145
 E00131.16.01 50 200 pag. 145
 E00131.16.02 50 200 pag. 145
 E00131.16.03 50 200 pag. 145
 E00131.16.04 50 200 pag. 145
 E00131.16.09 50 200 pag. 145
 E00131.16.15 50 200 pag. 145
 E00132.09.02 100 1000 pag. 145
 E00132.09.03 100 1000 pag. 145
 E00132.09.04 100 1000 pag. 145
 E00132.09.09 100 1000 pag. 145
 E00132.13.02 50 200 pag. 145
 E00132.13.03 50 200 pag. 145
 E00132.13.04 50 200 pag. 145
 E00132.13.06 50 200 pag. 145
 E00132.13.09 50 200 pag. 145
 E00132.14.02 50 200 pag. 145
 E00132.14.03 50 200 pag. 145
 E00132.14.04 50 200 pag. 145
 E00132.14.06 50 200 pag. 145
 E00132.14.09 50 200 pag. 145
 E00132.16.02 50 200 pag. 145
 E00132.16.03 50 200 pag. 145
 E00132.16.04 50 200 pag. 145
 E00133.09.01 1 1 pag. 166
 E00133.11.01 1 1 pag. 166
 E00133.13.01 1 1 pag. 166
 E00133.13.01 1 1 pag. 167
 E00133.14.01 1 1 pag. 166
 E00133.14.01 1 1 pag. 167
 E00133.14.01 1 1 pag. 167
 E00133.16.01 1 1 pag. 166
 E00133.16.01 1 1 pag. 167
 E00133.16.03 1 1 pag. 167
 E00133.16.04 1 1 pag. 168
 E00133.18.01 1 1 pag. 166
 E00133.18.03 1 1 pag. 167
 E00133.20.03 1 1 pag. 167
 E00133.20.04 1 1 pag. 168
 E00134.13.02 100 1000 pag. 156
 E00134.13.10 100 1000 pag. 156
 E00134.14.02 100 1000 pag. 156
 E00134.14.10 100 1000 pag. 156
 E00135.09.02 100 1000 pag. 146
 E00135.09.03 100 1000 pag. 146
 E00136.00.01 1 1 pag. 162
 E00136.00.01 1 1 pag. 163
 E00136.00.02 1 1 pag. 162
 E00136.00.02 1 1 pag. 163
 E00136.00.02 1 1 pag. 164
 E00136.00.03 1 1 pag. 166
 E00136.00.03 1 1 pag. 167
 E00136.00.04 1 1 pag. 167
 E00136.00.04 1 1 pag. 166
 E00136.00.04 1 1 pag. 168
 E00136.00.05 1 1 pag. 162
 E00136.00.05 1 1 pag. 163
 E00136.00.06 1 1 pag. 162
 E00136.00.06 1 1 pag. 163
 E00136.00.06 1 1 pag. 164
 E00136.00.07 1 1 pag. 166




Code  







E00136.00.07 1 1 pag. 167
 E00136.00.08 1 1 pag. 167
 E00136.00.08 1 1 pag. 166
 E00136.00.08 1 1 pag. 168
 E00136.00.09 1 1 pag. 164
 E00136.00.11 1 1 pag. 168
 E00136.00.13 1 1 pag. 164
 E00136.00.15 1 1 pag. 168
 E00136.00.21 1 1 pag. 164
 E00136.00.21 1 1 pag. 165
 E00136.00.23 1 1 pag. 168
 E00137.13.06 200 200 pag. 155
 E00137.13.14 200 200 pag. 155
 E00137.13.21 200 200 pag. 155
 E00137.13.50 200 200 pag. 155
 E00137.13.91 200 200 pag. 155
 E00137.13.93 200 200 pag. 155
 E00137.13.94 200 200 pag. 155
 E00137.14.06 200 200 pag. 155
 E00137.14.14 200 200 pag. 155
 E00137.14.21 200 200 pag. 155
 E00137.14.50 200 200 pag. 155
 E00137.14.91 200 200 pag. 155
 E00137.14.93 200 200 pag. 155
 E00137.14.94 200 200 pag. 155
 E00138.13.01 1 1 pag. 166
 E00138.13.01 1 1 pag. 167
 E00138.14.01 1 1 pag. 166
 E00138.14.01 1 1 pag. 167
 E00138.16.01 1 1 pag. 166
 E00138.16.01 1 1 pag. 167
 E00138.18.01 1 1 pag. 166
 E00139.09.01 1 1 pag. 162
 E00139.11.01 1 1 pag. 162
 E00139.13.01 1 1 pag. 162
 E00139.13.02 1 1 pag. 163
 E00139.14.01 1 1 pag. 162
 E00139.14.02 1 1 pag. 163
 E00139.16.01 1 1 pag. 162
 E00139.16.02 1 1 pag. 163
 E00139.16.03 1 1 pag. 163
 E00139.16.04 1 1 pag. 164
 E00139.16.05 1 1 pag. 165
 E00139.18.01 1 1 pag. 162
 E00139.18.03 1 1 pag. 163
 E00139.20.03 1 1 pag. 163
 E00139.20.04 1 1 pag. 164
 E00139.20.05 1 1 pag. 165
 E00140.13.02 40 200 pag. 148
 E00140.13.03 40 200 pag. 148
 E00140.13.04 40 200 pag. 148
 E00140.13.34 40 200 pag. 148
 E00140.14.02 40 200 pag. 148
 E00140.14.03 40 200 pag. 148
 E00140.14.04 40 200 pag. 148
 E00140.14.06 40 200 pag. 148
 E00140.16.02 40 200 pag. 148
 E00140.16.03 40 200 pag. 148
 E00140.16.04 40 200 pag. 148
 E00140.16.06 40 200 pag. 148
 E00144.13.01 1 1 pag. 162
 E00144.14.01 1 1 pag. 162
 E00144.16.01 1 1 pag. 162
 E00144.18.01 1 1 pag. 162
 E00145.14.02 100 1000 pag. 146
 E00145.14.03 100 1000 pag. 146

Code			
E00145.14.04	100	1000	pag. 146
E00145.14.93	100	1000	pag. 146
E00146.16.10	50	500	pag. 146
E00150.16.02	12	120	pag. 138
E00150.16.04	12	120	pag. 138
E00150.16.15	12	120	pag. 138
E00150.20.04	12	60	pag. 138
E00150.20.15	12	60	pag. 138
E00151.16.06	20	200	pag. 156
E00151.16.14	20	200	pag. 156
E00151.16.21	20	200	pag. 156
E00151.16.50	20	200	pag. 156
E00151.16.91	20	200	pag. 156
E00151.16.93	20	200	pag. 156
E00151.16.94	20	200	pag. 156
E00151.20.06	20	160	pag. 156
E00151.20.14	20	160	pag. 156
E00151.20.21	20	100	pag. 156
E00151.20.50	20	160	pag. 156
E00151.20.91	20	160	pag. 156
E00151.20.93	20	160	pag. 156
E00151.20.94	20	160	pag. 156
E00154.13.01	500	7000	pag. 159
E00154.13.02	500	7000	pag. 159
E00154.13.05	500	7000	pag. 159
E00154.14.01	500	7000	pag. 159
E00154.14.02	500	7000	pag. 159
E00154.14.05	500	7000	pag. 159
E00154.16.01	500	7000	pag. 159
E00154.16.02	500	7000	pag. 159
E00154.16.05	500	7000	pag. 159
E00155.16.04	12	48	pag. 170
E00156.13.02	100	400	pag. 143
E00156.13.03	100	400	pag. 143
E00156.13.04	100	400	pag. 143
E00156.13.06	100	400	pag. 143
E00156.14.02	100	300	pag. 143
E00156.14.03	100	300	pag. 143
E00156.14.04	100	300	pag. 143
E00156.14.06	100	300	pag. 143
E00156.14.15	100	300	pag. 143
E00156.14.34	40	320	pag. 143
E00159.14.04	40	200	pag. 138
E00160.14.06	100	1000	pag. 158
E00160.14.14	100	1000	pag. 158
E00160.14.21	100	1000	pag. 158
E00160.14.50	100	1000	pag. 158
E00160.14.91	100	1000	pag. 158
E00160.14.93	100	1000	pag. 158
E00160.14.94	100	1000	pag. 158
E00161.13.10	20	200	pag. 143
E00161.14.10	20	200	pag. 143
E00162.13.02	50	200	pag. 143
E00162.13.06	50	200	pag. 143
E00162.14.02	50	200	pag. 143
E00162.14.04	50	200	pag. 143
E00162.14.06	50	200	pag. 143
E00162.16.02	50	200	pag. 143
E00162.16.04	50	200	pag. 143
E00164.08.01	12	12	pag. 169
E00164.08.02	12	12	pag. 169
E00164.10.01	12	12	pag. 169
E00164.10.02	12	12	pag. 169
E00164.40.01	12	12	pag. 169
E00164.40.02	12	12	pag. 169
E00165.16.03	1	1	pag. 167

Code			
E00165.16.04	1	1	pag. 168
E00165.16.05	1	1	pag. 165
E00165.18.03	1	1	pag. 167
E00165.20.03	1	1	pag. 167
E00165.20.04	1	1	pag. 168
E00165.20.05	1	1	pag. 165
E00170.16.02	12	120	pag. 148
E00170.16.03	12	120	pag. 148
E00170.16.04	12	120	pag. 148
E00170.16.06	12	120	pag. 148
E00170.16.91	12	120	pag. 148
E00170.18.02	12	120	pag. 148
E00170.18.03	12	120	pag. 148
E00170.18.04	12	120	pag. 148
E00170.18.06	12	120	pag. 148
E00170.20.02	12	96	pag. 148
E00170.20.03	12	96	pag. 148
E00170.20.04	12	96	pag. 148
E00170.20.06	12	96	pag. 148
E00171.16.03	12	120	pag. 148
E00171.16.04	12	120	pag. 148
E00171.18.02	12	120	pag. 148
E00171.18.03	12	120	pag. 148
E00171.18.04	12	120	pag. 148
E00171.20.02	12	96	pag. 148
E00171.20.03	12	96	pag. 148
E00171.20.04	12	96	pag. 148
E00171.20.06	12	96	pag. 148
E00171.16.03	12	120	pag. 148
E00171.16.04	12	120	pag. 148
E00171.18.02	12	120	pag. 148
E00171.18.03	12	120	pag. 148
E00171.18.04	12	120	pag. 148
E00171.20.02	12	96	pag. 148
E00171.20.03	12	96	pag. 148
E00171.20.04	12	96	pag. 148
E00178.14.15.202	80	400	1 pag. 147
E00197.13.02	50	200	pag. 143
E00197.13.04	50	200	pag. 143
E00198.12.02	50	200	pag. 144
E00198.12.03	50	200	pag. 144
E00198.12.04	50	200	pag. 144
E00198.14.02	50	200	pag. 144
E00198.14.03	50	200	pag. 144
E00198.14.04	50	200	pag. 144
E00198.14.06	50	200	pag. 144
E00198.14.91	20	200	pag. 144
E00198.14.93	20	200	pag. 144
E00199.13.10	20	20	pag. 144
E00199.14.02	20	20	pag. 144
E00199.14.08	20	20	pag. 144
E00199.14.10	20	20	pag. 144
E00199.16.10	20	20	pag. 144
E00200.14.01	10	100	pag. 177
E00200.17.01	10	70	pag. 177
E00200.20.01	10	60	pag. 177
E00201.14.01	10	100	pag. 177
E00201.17.01	10	70	pag. 177
E00201.20.01	10	60	pag. 177
E00202.14.01	10	100	pag. 177
E00202.17.01	10	70	pag. 177
E00202.20.01	10	60	pag. 177
E00203.06.01	12	240	pag. 178
E00203.08.01	12	168	pag. 178
E00203.10.01	12	120	pag. 178
E00203.12.01	12	120	pag. 178
E00203.14.01	12	60	pag. 178
E00203.17.01	12	72	pag. 178
E00203.20.01	12	60	pag. 178
E00204.06.01	12	240	pag. 178
E00204.08.01	12	168	pag. 178
E00204.10.01	12	120	pag. 178
E00204.12.01	12	120	pag. 178
E00204.14.01	12	60	pag. 178
E00204.17.01	12	72	pag. 178

Code			
E00204.20.01	12	60	pag. 178
E00205.08.01	20	320	pag. 178
E00205.10.01	20	240	pag. 178
E00205.12.01	20	160	pag. 178
E00205.14.01	20	120	pag. 178
E00206.06.01	20	1000	pag. 178
E00206.08.01	20	320	pag. 178
E00206.10.01	20	240	pag. 178
E00206.12.01	20	160	pag. 178
E00206.14.01	20	120	pag. 178
E00207.06.01	20	1000	pag. 177
E00207.08.01	20	320	pag. 177
E00207.10.01	20	240	pag. 177
E00207.12.01	20	160	pag. 177
E00207.14.01	20	120	pag. 177
E00208.10.01	12	72	pag. 178
E00209.10.01	12	72	pag. 179
E00210.19.01	6	36	pag. 179
E00211.19.01	6	36	pag. 179
E00212.19.01	6	36	pag. 180
E00213.19.01	6	36	pag. 180
E00214.19.01	6	36	pag. 180
E00215.19.01	6	36	pag. 180
E00500.00.14	50	50	pag. 173
E00500.00.21	50	50	pag. 173
E00500.00.50	50	50	pag. 173
E00500.00.91	50	50	pag. 173
E00500.00.93	50	50	pag. 173
E00500.00.94	50	50	pag. 173
E00500.00.98	50	50	pag. 173
E00500.13.03	50	200	pag. 171
E00500.13.04	50	200	pag. 171
E00500.13.91	50	200	pag. 171
E00500.13.94	50	200	pag. 171
E00500.15.03	50	200	pag. 170
E00500.15.04	50	200	pag. 170
E00500.15.05	50	200	pag. 170
E00500.15.91	50	200	pag. 170
E00500.15.94	50	200	pag. 170
E00501.13.91	50	200	pag. 171
E00501.13.94	50	200	pag. 171
E00501.15.04	50	200	pag. 170
E00501.15.05	50	200	pag. 170
E00501.15.09	50	200	pag. 170
E00501.15.91	50	200	pag. 170
E00501.15.94	50	200	pag. 170
E00502.15.04	50	200	pag. 171
E00502.15.91	50	200	pag. 171
E00502.15.94	50	200	pag. 171
E00503.15.91	50	200	pag. 171
E00503.15.94	50	200	pag. 171
E00510.14.91	50	200	pag. 171
E00510.14.94	50	200	pag. 171
E00511.14.91	50	200	pag. 172
E00511.14.94	50	200	pag. 172
E00512.13.91	50	200	pag. 172
E00512.13.94	50	200	pag. 172
E00513.13.91	50	200	pag. 172
E00513.13.94	50	200	pag. 172
E00514.14.91	50	200	pag. 172
E00514.14.94	50	200	pag. 172
E00515.14.91	50	200	pag. 172
E00515.14.94	50	200	pag. 172
E01118.14.02	50	200	pag. 151
E01118.14.03	50	200	pag. 151
E01118.14.04	50	200	pag. 151

Code			Code			Code		
E01118.14.15	50	200	E01164.01.14	12	120	E02150.20.04	12	120
E01118.14.91	50	200	E01164.01.21	12	120	E02150.20.15	12	120
E01119.14.02	50	200	E01164.01.50	12	120	E02151.16.06	40	400
E01119.14.03	50	200	E01164.01.91	12	120	E02151.16.14	40	400
E01119.14.04	50	200	E01164.01.94	12	120	E02151.16.21	40	400
E01119.14.15	50	200	E01164.02.14	12	120	E02151.16.50	40	400
E01119.14.91	50	200	E01164.02.21	12	120	E02151.16.91	40	400
E01122.14.01	1	1	E01164.02.50	12	120	E02151.16.93	40	400
E01125.20.15	1	12	E01164.02.91	12	120	E02151.16.94	40	400
E01126.20.15	1	12	E01164.02.94	12	120	E02151.20.06	40	200
E01128.20.01	20	100	E01165.14.01	12	120	E02151.20.14	40	200
E01128.20.10	20	100	E01165.16.01	12	120	E02151.20.21	40	200
E01129.20.00	20	160	E01174.14.02	100	300	E02151.20.50	40	200
E01129.20.01	20	160	E01174.14.02	100	300	E02151.20.91	40	200
E01129.20.02	20	160	E01174.14.03	100	300	E02151.20.93	40	200
E01129.20.91	20	100	E01174.14.03	100	300	E02151.20.94	40	200
E01133.14.05	1	1	E01174.14.04	100	300	E02152.16.02	24	240
E01134.14.02	24	240	E01174.14.04	100	300	E02152.16.06	24	240
E01134.14.10	24	240	E01174.14.15	100	300	E02152.16.10	24	240
E01150.14.02	12	120	E01174.14.15	100	300	E02152.16.32	24	240
E01150.14.04	12	120	E01175.14.02	100	300	E02152.16.34	24	240
E01150.14.15	12	120	E01175.14.02	100	300	E02152.20.02	24	240
E01150.16.02	12	120	E01175.14.03	100	300	E02152.20.06	24	240
E01150.16.04	12	120	E01175.14.03	100	300	E02152.20.10	24	240
E01150.16.15	12	120	E01175.14.04	100	300	E02152.20.32	24	240
E01151.14.06	40	400	E01175.14.04	100	300	E02152.20.34	24	240
E01151.14.14	40	400	E01175.14.15	100	300	E02153.20.04	12	120
E01151.14.21	40	400	E01175.14.15	100	300	E02153.20.15	12	120
E01151.14.50	40	400	E01176.01.21	20	100	E03198.14.02	50	200
E01151.14.91	40	400	E01176.01.24	20	100	E03198.14.03	20	200
E01151.14.93	40	400	E01176.01.50	20	100	E03198.14.04	50	200
E01151.14.94	40	400	E01176.01.91	20	100	E03198.14.30	20	200
E01151.16.06	40	400	E01176.01.94	20	100	E03198.14.34	20	200
E01151.16.14	40	400	E01176.14.04.202	24	24	E03198.14.91	20	200
E01151.16.21	40	400	E01176.14.15.202	24	24	E03198.14.93	20	200
E01151.16.50	40	400	E01177.14.04.202	24	24	E03199.14.10	20	20
E01151.16.91	40	400	E01177.14.15.202	24	24	E04199.14.10	40	200
E01151.16.93	40	400	E01178.14.02	20	200	E04199.14.34	40	200
E01151.16.94	40	400	E01178.14.03	20	200	E09010.00.01	50	1000
E01153.14.02	24	240	E01178.14.04	20	200	E09010.01.01	50	1000
E01153.14.07	24	240	E01178.14.04.203	24	24	E09010.10.05	1	50
E01153.14.10	24	240	E01178.14.15	20	200	E10005.01.02	20	20
E01153.16.02	24	240	E01178.14.15.203	24	24	E10005.01.03	20	20
E01153.16.10	24	240	E01180.14.15.203	80	640	E10005.01.06	20	20
E01154.13.01	500	7000	E01181.14.15.203	80	640	E10005.02.02	20	20
E01154.13.02	500	7000	E01192.14.15	50	200	E10005.02.03	20	20
E01154.13.05	500	7000	E01192.14.91	50	200	E10005.02.06	20	20
E01154.14.01	500	7000	E01500.00.01	1	1	E10006.41.03	1	1
E01154.14.02	500	7000	E01500.00.02	1	1	E10006.41.06	1	1
E01154.14.05	500	7000	E01500.00.03	1	1	E10006.41.34	1	1
E01154.16.01	500	7000	E01500.00.04	1	1	E10006.41.93	1	1
E01154.16.02	500	7000	E01500.00.05	1	1	E10006.44.03	1	1
E01154.16.05	500	7000	E01500.00.06	1	1	E10006.44.06	1	1
E01155.16.14	12	120	E01500.00.06	1	1	E10006.44.93	1	1
E01155.16.21	12	120	E01500.00.07	1	1	E10006.45.03	1	1
E01155.16.50	12	120	E01500.00.08	1	1	E10006.45.06	1	1
E01155.16.91	12	120	E01500.00.09	1	1	E10006.45.93	1	1
E01155.16.94	12	120	E01500.00.10	1	1	E10013.14.15	40	200
E01155.16.98	12	120	E01500.00.11	1	1	E10014.18.04	20	80
E01158.15.91	12	48	E02120.14.02	100	300	E10014.18.93	20	80
E01158.50.91	12	48	E02120.14.03	40	320	E10025.14.15	40	200
E01159.14.02	40	400	E02120.14.04	100	300	E10026.14.15	40	200
E01159.14.10	40	400	E02120.14.30	40	320	E10057.14.04	50	50
E01159.16.02	40	400	E02120.14.34	40	320	E10057.14.93	50	50
E01159.16.10	40	400	E02150.16.04	12	120	E10058.14.04	50	50
E01160.16.04	12	120	E02150.16.15	12	120	E10058.14.93	50	50

Code			Code			Code		
E10059.14.04	50	200	E21151.16.06	40	400	F01690.00.01	20	100
E10059.14.93	50	200	E21151.16.16	40	400	F01690.00.02	20	200
E10060.14.04	50	200	E21151.16.50	40	400	F01690.00.03	20	20
E10060.14.93	50	200	E21200.14.06	100	500	F01690.00.03	20	20
E10061.14.04	50	200	E21200.14.14	100	500	F01690.00.03	20	20
E10061.14.93	50	200	E21200.14.21	100	500	F01690.00.03	20	20
E10062.14.04	50	200	E21200.14.50	100	500	F01690.00.03	20	20
E10062.14.93	50	200	E21200.14.91	100	500	F01690.00.04	20	20
E10063.14.04	50	200	E21200.14.94	100	500	F01690.00.05	20	20
E10063.14.93	50	200	E40164.08.01	12	12	F01690.00.13	20	20
E10073.10.16	1	1	E40164.08.02	12	12	F01690.00.13	20	20
E10073.11.16	1	1	E40164.10.01	12	12	F01690.00.13	20	20
E10081.14.03	40	200	E40164.10.02	12	12	F01690.00.13	20	20
E10081.14.15	40	200	E41159.08.01	12	48	F01691.01.01	20	20
E10082.14.03	40	200	E41159.08.02	12	48	F01691.01.02	20	20
E10082.14.15	40	200	E41159.10.01	12	48	F01691.01.03	20	20
E10083.16.03	16	80	E41159.10.02	12	48	F01691.05.01	20	20
E10083.16.15	16	80	E41160.08.01	12	48	F01691.05.02	20	20
E10084.16.03	16	80	E41160.08.02	12	48	F01691.05.03	20	20
E10084.16.15	16	80	E41160.10.01	12	48	F01692.01.01	20	100
E10157.14.04	50	50	E41160.10.02	12	48	F01692.01.01	20	100
E10157.14.93	50	50	F01685.35.10	5	5	F01692.01.02	50	250
E10158.14.04	50	50	F01685.40.10	5	5	F01692.01.03	20	200
E10158.14.93	50	50	F01685.45.10	5	5	F01692.01.04	50	500
E10161.14.04	50	200	F01685.50.10	5	5	F01692.01.04	50	500
E10161.14.93	50	200	F01685.55.10	5	5	F01692.01.05	50	250
E11159.08.01	12	48	F01685.60.10	5	5	F01692.01.05	50	250
E11159.08.02	12	48	F01685.70.10	5	5	F01693.01.01	20	100
E11159.10.01	12	48	F01686.35.09	5	5	F01693.01.02	50	250
E11159.10.02	12	48	F01686.40.09	5	5	F01693.01.03	20	200
E11159.40.01	12	48	F01686.45.09	5	5	F01693.01.04	50	250
E11159.40.02	12	48	F01686.50.09	5	5	F01693.01.04	50	250
E11160.08.01	12	48	F01686.55.09	5	5	F01693.01.05	50	500
E11160.08.02	12	48	F01686.60.09	5	5	F01693.01.05	50	500
E11160.10.01	12	48	F01686.70.09	5	5	F01694.04.01	50	250
E11160.10.02	12	48	F01687.35.10	5	5	F01694.04.01	50	250
E11160.40.01	12	48	F01687.40.10	5	5	F01694.04.02	50	500
E11160.40.02	12	48	F01687.45.10	5	5	F01694.04.03	50	200
E11161.08.01	12	48	F01687.50.10	5	5	F01694.04.03	50	200
E11161.08.02	12	48	F01687.55.10	5	5	F01694.04.04	20	200
E11161.10.01	12	48	F01687.60.10	5	5	F01694.04.05	20	200
E11161.10.02	12	48	F01687.70.10	5	5	F01695.05.01	50	500
E11161.40.01	12	48	F01688.35.09	5	5	F01695.05.01	50	500
E11161.40.02	12	48	F01688.40.09	5	5	F01695.05.02	50	500
E11162.14.06	24	480	F01688.45.09	5	5	F01695.05.03	50	200
E11162.14.14	24	480	F01688.50.09	5	5	F01695.05.03	50	200
E11162.14.21	24	480	F01688.55.09	5	5	F01695.05.04	20	200
E11162.14.50	24	480	F01688.60.09	5	5	F01695.06.01	50	500
E11162.14.91	24	480	F01688.70.09	5	5	F01695.06.01	50	500
E11162.14.94	24	480	F01689.35.10	5	5	F01695.06.02	50	500
E11162.14.98	24	480	F01689.40.10	5	5	F01695.06.02	50	500
E21000.13.06	50	500	F01689.45.10	5	5	F01696.00.04	50	500
E21000.13.14	50	500	F01689.50.10	5	5	F01696.00.04	50	500
E21000.13.16	50	500	F01689.55.10	5	5	F01696.00.04	50	500
E21000.13.50	50	500	F01689.60.10	5	5	F01696.00.04	50	500
E21000.14.06	50	500	F01689.70.10	5	5	F01696.00.93	50	500
E21000.14.14	50	500	F01690.00.01	20	100	F01696.00.93	50	500
E21000.14.50	50	500	F01690.00.01	20	100	F01696.00.93	50	500
E21001.14.16	50	500	F01690.00.01	20	100	F01697.01.13	50	500
E21002.14.06	50	500	F01690.00.01	20	100	F01697.01.13	50	500
E21002.14.16	50	500	F01690.00.01	20	100	F01697.01.13	50	500
E21002.14.50	50	500	F01690.00.01	20	100	F01697.01.13	50	500
E21151.14.06	40	400	F01690.00.01	20	100	F01697.01.13	50	500
E21151.14.14	40	400	F01690.00.01	20	100	F01697.05.01	50	500
E21151.14.16	40	400	F01690.00.01	20	100	F01697.05.01	50	500
E21151.14.50	40	400	F01690.00.01	20	100	F01697.06.13	50	250

Code					
F852CR.11.15	20	20		pag.	201
F852CR.11.15	20	20		pag.	220
● F852DC.11.15	20	20		pag.	201
● F852DC.11.15	20	20		pag.	220
F852DE.03.04	20	20		pag.	543
F852DE.03.15	20	20		pag.	204
F852DE.11.04	20	20		pag.	541
F852DE.11.15	20	20		pag.	201
F97000.01.00	10	10		pag.	540
F97000.03.00	10	10		pag.	540
F97000.04.00	10	10		pag.	540
F97000.05.00	10	10		pag.	540
F97004.01.01	1	1		pag.	540
F97004.03.01	1	1		pag.	540
F97004.04.01	1	1		pag.	540
F97004.05.01	1	1		pag.	540
F97100.01.00	10	10		pag.	540
F97100.03.00	10	10		pag.	540
F97100.04.00	10	10		pag.	540
F97100.05.00	10	10		pag.	540
F97104.01.01	1	1		pag.	540
F97104.03.01	1	1		pag.	540
F97104.04.01	1	1		pag.	540
F97104.05.01	1	1		pag.	540
F98000.01.00	10	10		pag.	539
F98000.03.00	10	10		pag.	539
F98000.04.00	10	10		pag.	539
F98000.05.00	10	10		pag.	539
F98004.01.01	1	1		pag.	539
F98004.03.01	1	1		pag.	539
F98004.04.01	1	1		pag.	539
F98004.05.01	1	1		pag.	539
F98100.01.00	10	10		pag.	539
F98100.03.00	10	10		pag.	539
F98100.04.00	10	10		pag.	539
F98100.05.00	10	10		pag.	539
F98104.01.01	1	1		pag.	539
F98104.03.01	1	1		pag.	539
F98104.04.01	1	1		pag.	539
F98104.05.01	1	1		pag.	539
F98900.00.06	1	10		pag.	200
F98900.00.06	1	10		pag.	540
F99501.01.03	1	1		pag.	212
F99501.01.03	1	1		pag.	229
F99501.06.02	1	1		pag.	211
F99501.06.08	1	1		pag.	210
F99503.01.04	1	1		pag.	213
F99610.01.13	20	20		pag.	543
F99610.01.13	20	20		pag.	558
F99610.01.20	5	5		pag.	545
F99610.01.20	5	5		pag.	563
F99610.01.21	5	5		pag.	545
F99610.01.21	5	5		pag.	563
F99610.03.13	20	20		pag.	543
F99610.03.13	20	20		pag.	558
F99610.04.13	20	20		pag.	543
F99610.04.13	20	20		pag.	558
F99610.05.13	20	20		pag.	543
F99610.05.13	20	20		pag.	558
F99610.05.20	5	5		pag.	545
F99610.05.20	5	5		pag.	563
F99610.05.21	5	5		pag.	545
F99610.05.21	5	5		pag.	563
F99611.00.29	5	5		pag.	546
F99611.00.29	5	5		pag.	564
F99611.00.30	5	5		pag.	546

Code					
F99611.00.30	5	5		pag.	564
F99611.01.31	20	200		pag.	542
F99612.00.29	5	5		pag.	546
F99612.00.29	5	5		pag.	564
F99612.00.30	5	5		pag.	546
F99612.00.30	5	5		pag.	564
F99612.01.31	20	200		pag.	542
F99620.08.13	10	50		pag.	543
F99620.08.17	10	100		pag.	543
F99620.08.46	5	5		pag.	541
F99620.08.58	5	5		pag.	541
F99621.08.45	5	150		pag.	542
F99621.08.57	5	150		pag.	542
F99622.08.45	5	150		pag.	542
F99622.08.57	5	150		pag.	542
F99630.00.13	20	20		pag.	562
F99630.00.13	20	20		pag.	572
F99630.07.24	50	50		pag.	562
F99631.07.20	5	5		pag.	545
F99631.07.20	5	5		pag.	563
F99631.07.21	5	5		pag.	545
F99631.07.21	5	5		pag.	563
F99632.07.20	5	5		pag.	545
F99632.07.20	5	5		pag.	563
F99632.07.21	5	5		pag.	545
F99632.07.21	5	5		pag.	563
F99710.01.01	10	60		pag.	548
F99710.01.01	10	60		pag.	568
F99710.01.02	10	60		pag.	548
F99710.01.02	10	60		pag.	568
F99710.02.01	10	60		pag.	548
F99710.02.02	10	60		pag.	548
F99710.03.01	10	60		pag.	548
F99710.03.02	10	60		pag.	548
F99710.04.01	10	60		pag.	548
F99710.04.02	10	60		pag.	548
F99710.05.01	10	60		pag.	548
F99710.05.01	10	60		pag.	568
F99710.05.02	10	60		pag.	548
F99710.05.02	10	60		pag.	568
F99800.00.10	5	5		pag.	538
F99800.00.11	5	5		pag.	538
F99800.00.15	5	5		pag.	538
F99800.00.15	5	5		pag.	557
F99800.00.15	5	5		pag.	571
F99800.00.16	5	5		pag.	538
F99800.00.16	5	5		pag.	557
F99800.00.16	5	5		pag.	571
F99800.00.17	20	20		pag.	538
F99800.00.18	20	20		pag.	538
F99801.00.10	5	5		pag.	538
F99801.00.11	5	5		pag.	538
F99801.00.15	5	5		pag.	538
F99801.00.16	5	5		pag.	538
F99801.00.16	5	5		pag.	538
F99900.00.06	20	20		pag.	534
F99900.00.06	20	20		pag.	537
● G00102.00.00	1	1		pag.	398
● G00103.00.00	1	1		pag.	380
● G00103.00.00	1	1		pag.	370
● G00103.00.00	1	1		pag.	392
● G00103.00.00	1	1		pag.	398
G00103.xx.00	1	1		pag.	399
● G00201.00.00	1	1		pag.	381
● G00202.00.86	1	1		pag.	399
● G00203.00.86	1	1		pag.	371
● G00203.00.86	1	1		pag.	381


Code					
● G00203.00.86	1	1		pag.	393
● G00203.00.86	1	1		pag.	399
● G00203.00.93	1	1		pag.	381
● G00203.00.93	1	1		pag.	371
● G00203.00.93	1	1		pag.	393
● G00203.00.93	1	1		pag.	399
● G00203.00.93	1	1		pag.	399
G00204.00.86	1	1		pag.	384
G00204.00.86	1	1		pag.	396
G00204.00.86	1	1		pag.	375
G00204.00.86	1	1		pag.	404
G00204.00.91	1	1		pag.	375
G00204.00.91	1	1		pag.	396
G00204.00.91	1	1		pag.	384
G00204.00.91	1	1		pag.	404
G00204.00.93	1	1		pag.	384
G00204.00.93	1	1		pag.	396
G00204.00.93	1	1		pag.	375
G00204.00.93	1	1		pag.	404
● G0020A.DX.86	1	1		pag.	373
● G0020A.DX.93	1	1		pag.	373
● G0020A.SX.86	1	1		pag.	373
● G0020A.SX.93	1	1		pag.	373
● G0020E.00.86	1	1		pag.	373
● G0020E.00.93	1	1		pag.	373
G00727.01.01	1	1		pag.	400
G00727.01.02	1	1		pag.	400
G00727.02.01	1	1		pag.	400
G00727.02.02	1	1		pag.	400
G00727.03.01	1	1		pag.	400
G00727.03.02	1	1		pag.	400
G00727.04.01	1	1		pag.	400
G00727.04.02	1	1		pag.	400
G00728.00.01	1	1		pag.	410
G00728.00.02	1	1		pag.	403
G00728.00.03	1	1		pag.	403
G00728.00.04	1	1		pag.	402
G00728.00.05	1	1		pag.	402
G00728.00.06	1	1		pag.	384
G00728.00.06	1	1		pag.	396
G00728.00.06	1	1		pag.	375
G00728.00.06	1	1		pag.	401
G00728.00.07	1	500		pag.	402
G00728.00.09	1	1		pag.	402
G00728.00.11	1	1		pag.	402
G00728.00.12	1	1		pag.	401
G00728.00.15	1	1		pag.	403
G00728.00.17	1	1		pag.	403
G00728.00.20	1	1		pag.	401
G00728.00.21	1	1		pag.	411
G00728.00.22	1	1		pag.	411
G00728.00.23	1	1		pag.	386
G00728.00.23	1	1		pag.	397
G00728.00.23	1	1		pag.	404
G00728.00.24	20	200		pag.	403
G00728.00.27	1	1		pag.	411
G00728.00.29	1	1		pag.	401
G00728.00.30	1	1		pag.	403
G00728.00.31	1	1		pag.	411
G00728.00.32	1	1		pag.	402
G00728.00.34	1	1		pag.	402
G00728.00.41	20	20		pag.	401
G00728.00.42	1	1		pag.	403
G00728.01.31	25	25		pag.	383
G00728.01.31	25	25		pag.	409
● G00728.10.15	1	20		pag.	404

Code 



G00728.12.15 1 5 pag. 403
 G00728.27.00 1 50 pag. 403
 G00730.00.01 1 1 pag. 401
 G00730.00.02 1 1 pag. 401
 G00731.01.15 1 1 pag. 398
 G00732.00.01 1 1 pag. 380
 G00732.00.01 1 1 pag. 392
 G00732.00.01 1 1 pag. 370
 G00732.00.01 1 1 pag. 400
 G00732.00.02 1 1 pag. 370
 G00732.00.02 1 1 pag. 380
 G00732.00.02 1 1 pag. 392
 G00732.00.02 1 1 pag. 400
 G00732.01.01 1 1 pag. 370
 G00732.01.01 1 1 pag. 380
 G00732.01.01 1 1 pag. 392
 G00732.01.01 1 1 pag. 400
 G00732.01.02 1 1 pag. 370
 G00732.01.02 1 1 pag. 380
 G00732.01.02 1 1 pag. 392
 G00732.01.02 1 1 pag. 400
 G00733.01.01 40 40 pag. 393
 G00733.01.01 40 40 pag. 414
 G00733.01.02 200 200 pag. 393
 G00733.01.02 200 200 pag. 414
 G00733.02.01 40 40 pag. 382
 G00733.02.01 40 40 pag. 372
 G00733.02.01 40 40 pag. 394
 G00733.02.01 40 40 pag. 414
 G00733.02.02 200 200 pag. 372
 G00733.02.02 200 200 pag. 382
 G00733.02.02 200 200 pag. 394
 G00733.02.02 200 200 pag. 414
 G00733.03.02 2 2 pag. 414
 G00733.03.03 3 3 pag. 414
 G00733.04.01 40 40 pag. 414
 G00733.04.02 200 200 pag. 414
 G00733.05.01 40 40 pag. 414
 G00733.05.02 200 200 pag. 414
 G00733.06.00 20 20 pag. 396
 G00733.06.00 20 20 pag. 384
 G00733.06.00 20 20 pag. 414
 G00733.07.01 100 100 pag. 414
 G00733.11.01 40 40 pag. 414
 G00733.12.01 40 40 pag. 414
 G00734.01.01 1 1 pag. 405
 G00734.01.02 1 1 pag. 405
 G00734.02.01 1 1 pag. 405
 G00734.02.02 1 1 pag. 405
 G00734.03.01 1 1 pag. 405
 G00734.03.02 1 1 pag. 405
 G00735.01.01 1 1 pag. 405
 G00735.01.02 1 1 pag. 405
 G00735.02.01 1 1 pag. 405
 G00735.02.02 1 1 pag. 405
 G00735.03.01 1 1 pag. 405
 G00735.03.02 1 1 pag. 405
 G00736.01.01 1 1 pag. 405
 G00736.01.02 1 1 pag. 405
 G00736.02.01 1 1 pag. 405
 G00736.02.02 1 1 pag. 405
 G00736.03.01 1 1 pag. 405
 G00736.03.02 1 1 pag. 405
 G00737.01.01 1 1 pag. 392
 G00737.01.01 1 1 pag. 380
 G00737.01.01 1 1 pag. 370



Code 



G00737.01.01 1 1 pag. 400
 G00737.01.02 1 1 pag. 370
 G00737.01.02 1 1 pag. 392
 G00737.01.02 1 1 pag. 380
 G00737.01.02 1 1 pag. 400
 G00737.02.01 1 1 pag. 370
 G00737.02.01 1 1 pag. 380
 G00737.02.01 1 1 pag. 392
 G00737.02.01 1 1 pag. 400
 G00737.02.02 1 1 pag. 392
 G00737.02.02 1 1 pag. 370
 G00737.02.02 1 1 pag. 380
 G00737.02.02 1 1 pag. 400
 G00737.03.01 1 1 pag. 370
 G00737.03.01 1 1 pag. 380
 G00737.03.01 1 1 pag. 392
 G00737.03.01 1 1 pag. 400
 G00737.03.02 1 1 pag. 370
 G00737.03.02 1 1 pag. 380
 G00737.03.02 1 1 pag. 392
 G00737.03.02 1 1 pag. 400
 G00737.04.01 1 1 pag. 392
 G00737.04.01 1 1 pag. 370
 G00737.04.01 1 1 pag. 380
 G00737.04.01 1 1 pag. 400
 G00737.04.02 1 1 pag. 370
 G00737.04.02 1 1 pag. 380
 G00737.04.02 1 1 pag. 392
 G00737.04.02 1 1 pag. 400
 G00738.01.01 1 1 pag. 394
 G00738.01.01 1 1 pag. 406
 G00738.01.02 1 1 pag. 394
 G00738.01.02 1 1 pag. 406
 G00738.02.01 1 1 pag. 394
 G00738.02.01 1 1 pag. 406
 G00738.02.02 1 1 pag. 394
 G00738.02.02 1 1 pag. 406
 G00738.03.01 1 1 pag. 394
 G00738.03.01 1 1 pag. 406
 G00738.03.02 1 1 pag. 394
 G00738.03.02 1 1 pag. 406
 G00739.01.01 1 1 pag. 395
 G00739.01.01 1 1 pag. 407
 G00739.01.02 1 1 pag. 395
 G00739.01.02 1 1 pag. 407
 G00739.02.01 1 1 pag. 407
 G00739.02.02 1 1 pag. 395
 G00739.02.02 1 1 pag. 407
 G00739.03.01 1 1 pag. 395
 G00739.03.01 1 1 pag. 407
 G00739.03.02 1 1 pag. 395
 G00739.03.02 1 1 pag. 407
 G00740.01.01 1 1 pag. 410
 G00740.01.02 1 1 pag. 410
 G00740.02.01 1 1 pag. 410
 G00740.02.02 1 1 pag. 410
 G00740.03.01 1 1 pag. 410
 G00740.03.02 1 1 pag. 410
 G00741.01.01 1 1 pag. 410
 G00741.01.02 1 1 pag. 410
 G00741.02.01 1 1 pag. 410
 G00741.02.02 1 1 pag. 410
 G00741.03.01 1 1 pag. 410
 G00741.03.02 1 1 pag. 410
 G00742.00.01 1 1 pag. 410


Code 

G00742.00.02 1 1 pag. 410
 G00742.00.03 1 1 pag. 410
 G00743.01.01 1 1 pag. 410
 G00743.01.02 1 1 pag. 410
 G00743.02.01 1 1 pag. 410
 G00743.02.02 1 1 pag. 410
 G00743.03.01 1 1 pag. 410
 G00743.03.02 1 1 pag. 410
 G00744.01.01 1 1 pag. 415
 G00744.01.02 1 1 pag. 415
 G00744.02.01 1 1 pag. 415
 G00744.02.02 1 1 pag. 415
 G00744.03.01 1 1 pag. 415
 G00744.03.02 1 1 pag. 415
 G00744.04.01 1 1 pag. 415
 G00744.04.02 1 1 pag. 415
 G00745.01.07 1 1 pag. 415
 G00745.01.10 1 1 pag. 415
 G00745.02.07 1 1 pag. 415
 G00745.02.10 1 1 pag. 415
 G00745.03.07 1 1 pag. 415
 G00745.03.10 1 1 pag. 415
 G00745.04.10 1 1 pag. 415
 G00746.00.01 1 1 pag. 417
 G00746.00.02 1 1 pag. 417
 G00746.00.03 1 1 pag. 417
 G00746.00.04 1 1 pag. 417
 G00746.00.05 1 1 pag. 417
 G00746.00.06 1 1 pag. 418
 G00747.00.01 1 1 pag. 416
 G00747.00.02 1 1 pag. 416
 ● G00747.01.01 1 1 pag. 416
 ● G00747.01.02 1 1 pag. 416
 G00748.00.07 1 1 pag. 416
 G00748.00.10 1 1 pag. 416
 G00749.00.01 1 1 pag. 418
 G00749.00.02 1 1 pag. 418
 G00749.00.03 1 1 pag. 418
 G00750.00.01 1 1 pag. 416
 G00750.00.02 1 1 pag. 416
 ● G00750.01.01 1 1 pag. 416
 ● G00750.01.02 1 1 pag. 416
 G00751.00.07 1 1 pag. 416
 G00751.00.10 1 1 pag. 416
 G00751.00.16 20 200 pag. 512
 G00751.00.18 20 200 pag. 512
 G00752.00.01 1 1 pag. 416
 G00752.00.02 1 1 pag. 416
 G00753.00.07 1 1 pag. 416
 G00753.00.10 1 1 pag. 416
 G00754.00.04 1 25 pag. 416
 G00756.00.93 2 30 pag. 412
 G00756.04.01 1 1 pag. 381
 G00756.04.01 1 1 pag. 412
 G00756.04.02 1 1 pag. 381
 G00756.04.02 1 1 pag. 412
 G00757.00.01 1 1 pag. 374
 G00757.00.01 1 1 pag. 384
 G00757.00.01 1 1 pag. 396
 G00757.00.01 1 1 pag. 412
 G00757.00.02 1 1 pag. 374
 G00757.00.02 1 1 pag. 384
 G00757.00.02 1 1 pag. 396
 G00757.00.02 1 1 pag. 412
 G00757.01.01 1 1 pag. 374
 G00757.01.01 1 1 pag. 384

Code			
G00757.01.01	1	1	pag. 396
G00757.01.01	1	1	pag. 412
G00757.01.02	1	1	pag. 396
G00757.01.02	1	1	pag. 374
G00757.01.02	1	1	pag. 384
G00757.01.02	1	1	pag. 412
G00758.01.68	1	1	pag. 398
G00758.02.68	1	1	pag. 400
G00759.02.15	1	1	pag. 404
G00760.00.00	25	25	pag. 395
G00760.00.00	25	25	pag. 407
G00760.00.01	1	40	pag. 395
G00760.00.01	1	40	pag. 407
G00760.00.02	1	40	pag. 395
G00760.00.02	1	40	pag. 407
G00760.00.03	1	40	pag. 395
G00760.00.03	1	40	pag. 407
G00760.00.04	1	40	pag. 395
G00760.00.04	1	40	pag. 407
● G01302.02.93	1	1	pag. 372
● G01302.04.93	1	1	pag. 372
● G01310.02.86	1	1	pag. 372
● G01310.02.93	1	1	pag. 372
● G01310.04.86	1	1	pag. 372
● G01310.04.93	1	1	pag. 372
● G01412.00.86	1	1	pag. 386
● G01412.00.93	1	1	pag. 386
● G01412.DX.86	1	1	pag. 386
● G01412.DX.93	1	1	pag. 386
● G01412.SX.86	1	1	pag. 386
● G01412.SX.93	1	1	pag. 386
● G01413.12.75	1	1	pag. 382
● G01413.12.75	1	1	pag. 394
● G01413.12.75	1	1	pag. 403
G01503.01.00	1	1	pag. 401
G01504.01.00	1	1	pag. 401
G01728.00.21	1	1	pag. 409
G01728.00.22	1	1	pag. 409
G01728.00.27	1	1	pag. 386
G01728.00.27	1	1	pag. 409
G01734.01.01	1	1	pag. 382
G01734.01.01	1	1	pag. 372
G01734.01.01	1	1	pag. 394
G01734.01.01	1	1	pag. 405
G01734.01.02	1	1	pag. 372
G01734.01.02	1	1	pag. 382
G01734.01.02	1	1	pag. 394
G01734.01.02	1	1	pag. 405
G01734.02.01	1	1	pag. 382
G01734.02.01	1	1	pag. 394
G01734.02.01	1	1	pag. 372
G01734.02.01	1	1	pag. 405
G01734.02.02	1	1	pag. 372
G01734.02.02	1	1	pag. 382
G01734.02.02	1	1	pag. 394
G01734.02.02	1	1	pag. 405
G01734.03.01	1	1	pag. 382
G01734.03.01	1	1	pag. 394
G01734.03.01	1	1	pag. 372
G01734.03.01	1	1	pag. 405
G01734.03.02	1	1	pag. 372
G01734.03.02	1	1	pag. 382
G01734.03.02	1	1	pag. 394
G01734.03.02	1	1	pag. 405
G01734.04.01	1	1	pag. 382
G01734.04.01	1	1	pag. 394

Code			
G01734.04.01	1	1	pag. 372
G01734.04.01	1	1	pag. 405
G01734.04.02	1	1	pag. 382
G01734.04.02	1	1	pag. 372
G01734.04.02	1	1	pag. 394
G01734.04.02	1	1	pag. 405
G01739.01.01	1	1	pag. 395
G01739.01.01	1	1	pag. 405
G01739.01.01	1	1	pag. 406
G01739.01.02	1	1	pag. 395
G01739.01.02	1	1	pag. 405
G01739.01.02	1	1	pag. 406
G01739.02.01	1	1	pag. 395
G01739.02.01	1	1	pag. 405
G01739.02.01	1	1	pag. 406
G01739.02.02	1	1	pag. 405
G01739.02.02	1	1	pag. 395
G01739.02.02	1	1	pag. 406
G01739.03.01	1	1	pag. 395
G01739.03.01	1	1	pag. 405
G01739.03.01	1	1	pag. 406
G01739.03.02	1	1	pag. 405
G01739.03.02	1	1	pag. 395
G01739.03.02	1	1	pag. 406
G01739.04.01	1	1	pag. 395
G01739.04.01	1	1	pag. 396
G01739.04.02	1	1	pag. 405
G01739.04.02	1	1	pag. 395
G01739.04.02	1	1	pag. 406
G01741.01.01	1	1	pag. 383
G01741.01.01	1	1	pag. 408
G01741.01.02	1	1	pag. 383
G01741.01.02	1	1	pag. 408
G01741.02.01	1	1	pag. 383
G01741.02.01	1	1	pag. 408
G01741.02.02	1	1	pag. 383
G01741.02.02	1	1	pag. 408
G01741.03.01	1	1	pag. 383
G01741.03.01	1	1	pag. 408
G01741.03.02	1	1	pag. 383
G01741.03.02	1	1	pag. 408
G01741.04.01	1	1	pag. 383
G01741.04.01	1	1	pag. 408
G01741.04.02	1	1	pag. 383
G01741.04.02	1	1	pag. 408
G01742.01.00	1	1	pag. 383
G01742.01.00	1	1	pag. 408
G01742.02.00	1	1	pag. 383
G01742.02.00	1	1	pag. 408
G01742.03.00	1	1	pag. 383
G01742.03.00	1	1	pag. 408
G01742.04.00	1	1	pag. 383
G01742.04.00	1	1	pag. 408
G01743.01.01	1	1	pag. 408
G01743.01.02	1	1	pag. 408
G01743.02.01	1	1	pag. 408
G01743.02.02	1	1	pag. 408
G01743.03.01	1	1	pag. 408
G01743.03.02	1	1	pag. 408
G01743.04.01	1	1	pag. 408
G01743.04.02	1	1	pag. 408
G01757.00.01	1	1	pag. 397
G01757.00.01	1	1	pag. 375
G01757.00.01	1	1	pag. 385
G01757.00.01	1	1	pag. 413



Code			
G01757.00.02	1	1	pag. 397
G01757.00.02	1	1	pag. 375
G01757.00.02	1	1	pag. 385
G01757.00.02	1	1	pag. 413
G01757.01.01	1	1	pag. 374
G01757.01.01	1	1	pag. 385
G01757.01.01	1	1	pag. 397
G01757.01.01	1	1	pag. 413
G01757.01.02	1	1	pag. 397
G01757.01.02	1	1	pag. 374
G01757.01.02	1	1	pag. 385
G01757.01.02	1	1	pag. 413
G01757.02.01	1	1	pag. 397
G01757.02.01	1	1	pag. 374
G01757.02.01	1	1	pag. 385
G01757.02.01	1	1	pag. 413
G01757.02.02	1	1	pag. 397
G01757.02.02	1	1	pag. 385
G01757.02.02	1	1	pag. 374
G01757.02.02	1	1	pag. 413
G01757.03.01	1	1	pag. 397
G01757.03.01	1	1	pag. 385
G01757.03.01	1	1	pag. 374
G01757.03.01	1	1	pag. 413
G01757.03.02	1	1	pag. 397
G01757.03.02	1	1	pag. 385
G01757.03.02	1	1	pag. 374
G01757.03.02	1	1	pag. 413
G01757.04.01	1	1	pag. 385
G01757.04.01	1	1	pag. 374
G01757.04.01	1	1	pag. 397
G01757.04.01	1	1	pag. 413
G01757.04.02	1	1	pag. 374
G01757.04.02	1	1	pag. 385
G01757.04.02	1	1	pag. 397
G01757.04.02	1	1	pag. 413
G01757.04.02	1	1	pag. 374
G01757.04.02	1	1	pag. 397
G01757.04.02	1	1	pag. 413
G01757.06.00	1	50	pag. 374
G01757.06.00	1	50	pag. 397
G01757.06.00	1	50	pag. 385
G01757.06.00	1	50	pag. 413
G01757.07.01	1	1	pag. 375
G01757.07.01	1	1	pag. 397
G01757.07.01	1	1	pag. 385
G01757.07.01	1	1	pag. 413
G01757.07.02	1	1	pag. 385
G01757.07.02	1	1	pag. 397
G01757.07.02	1	1	pag. 375
G01757.07.02	1	1	pag. 413
● G02002.16.00	5	5	pag. 382
● G02002.16.00	5	5	pag. 393
● G02002.25.00	5	5	pag. 382
● G02002.25.00	5	5	pag. 393
● G02002.31.00	5	5	pag. 382
● G02002.31.00	5	5	pag. 393
● G020DX.02.93	5	5	pag. 372
● G020DX.02.93	5	5	pag. 382
● G020DX.02.93	5	5	pag. 393
● G020DX.04.93	5	5	pag. 372
● G020DX.04.93	5	5	pag. 382
● G020DX.04.93	5	5	pag. 393
● G020SX.02.93	5	5	pag. 372
● G020SX.02.93	5	5	pag. 382
● G020SX.02.93	5	5	pag. 393
● G020SX.04.93	5	5	pag. 372
● G020SX.04.93	5	5	pag. 382
● G020SX.04.93	5	5	pag. 393



Code Code Code 



H00901.04.93 20 80 pag. 454
H00901.05.04 20 80 pag. 455
H00901.05.15 20 80 pag. 455
● H00901.05.21 20 80 pag. 455
H00901.05.93 20 80 pag. 455
H00901.06.04 20 80 pag. 456
H00901.06.15 20 80 pag. 456
● H00901.06.21 20 80 pag. 456
H00901.06.93 20 80 pag. 456
H00901.07.04 20 200 pag. 465
H00901.07.15 20 200 pag. 465
● H00901.07.21 20 200 pag. 465
H00901.07.93 20 200 pag. 465
H00901.08.04 20 200 pag. 465
H00901.08.15 20 200 pag. 465
● H00901.08.21 20 200 pag. 465
H00901.08.93 20 200 pag. 465
H00901.09.04 50 500 pag. 467
H00901.09.15 50 500 pag. 467
● H00901.09.21 50 500 pag. 467
H00901.09.93 50 500 pag. 467
H00901.10.04 50 500 pag. 467
H00901.10.15 50 500 pag. 467
● H00901.10.21 50 500 pag. 467
H00901.10.93 50 500 pag. 467
H00901.11.04 50 500 pag. 460
H00901.11.15 50 500 pag. 460
● H00901.11.21 50 500 pag. 460
H00901.11.93 50 500 pag. 460
H00901.12.04 50 500 pag. 461
H00901.12.15 50 500 pag. 461
● H00901.12.21 50 500 pag. 461
H00901.12.93 50 500 pag. 461
H00901.13.04 20 200 pag. 465
H00901.13.15 20 200 pag. 465
● H00901.13.21 20 200 pag. 465
H00901.13.93 20 200 pag. 465
H00901.14.04 20 100 pag. 463
H00901.14.93 20 100 pag. 463
H00901.15.04 50 500 pag. 466
H00901.15.15 50 500 pag. 466
● H00901.15.21 50 500 pag. 466
H00901.15.93 50 500 pag. 466
H00901.16.04 20 200 pag. 462
H00901.16.93 20 200 pag. 462
H00901.17.04 20 200 pag. 461
H00901.17.15 20 200 pag. 461
● H00901.17.21 20 200 pag. 461
H00901.17.93 20 200 pag. 461
H00901.18.04 20 200 pag. 467
H00901.18.15 20 200 pag. 467
● H00901.18.21 20 200 pag. 467
H00901.18.93 20 200 pag. 467
H00901.19.04 50 500 pag. 464
H00901.19.15 50 500 pag. 464
● H00901.19.21 50 500 pag. 464
H00901.19.93 50 500 pag. 464
H00901.20.04 20 100 pag. 468
H00901.20.15 20 100 pag. 468
● H00901.20.21 20 100 pag. 468
H00901.20.93 20 100 pag. 468
H00901.21.04 20 100 pag. 468
H00901.21.15 20 100 pag. 468
● H00901.21.21 20 100 pag. 468
H00901.21.93 20 100 pag. 468
H00901.22.04 50 500 pag. 463


H00901.22.93 50 500 pag. 463
H00901.23.04 20 200 pag. 462
H00901.23.93 20 200 pag. 462
H00901.24.04 20 200 pag. 462
● H00901.24.21 20 200 pag. 462
H00901.24.93 20 200 pag. 462
H00901.25.04 20 100 pag. 463
H00901.25.93 20 100 pag. 463
H00901.26.04 20 200 pag. 461
H00901.26.15 20 200 pag. 461
● H00901.26.21 20 200 pag. 461
H00901.26.93 20 200 pag. 461
H00901.27.04 20 200 pag. 466
H00901.27.15 20 200 pag. 466
● H00901.27.21 20 200 pag. 466
H00901.27.93 20 200 pag. 466
H00901.28.93 100 500 pag. 464
H00901.29.04 50 700 pag. 469
H00901.29.15 50 700 pag. 469
● H00901.29.21 50 700 pag. 469
H00901.29.93 50 700 pag. 469
H00901.30.04 50 700 pag. 469
H00901.30.15 50 700 pag. 469
● H00901.30.21 50 700 pag. 469
H00901.30.93 50 700 pag. 469
H00901.31.04 20 20 pag. 463
H00901.31.93 20 20 pag. 463
H00901.32.04 50 250 pag. 468
H00901.32.93 50 250 pag. 468
H00901.33.04 50 250 pag. 468
H00901.33.93 50 250 pag. 468
H00901.34.04 20 200 pag. 464
H00901.34.93 20 200 pag. 464
H00901.35.04 50 500 pag. 467
H00901.35.15 50 500 pag. 467
● H00901.35.21 50 500 pag. 467
H00901.35.93 50 500 pag. 467
H00901.36.04 20 500 pag. 469
H00901.36.93 20 500 pag. 469
H00901.37.04 20 500 pag. 470
H00901.37.93 20 500 pag. 470
H00901.38.04 50 1000 pag. 470
H00901.38.93 50 1000 pag. 470
H00901.39.04 20 400 pag. 469
H00901.39.15 20 400 pag. 469
● H00901.39.21 20 400 pag. 469
H00901.39.93 20 400 pag. 469
H00901.40.04 50 250 pag. 468
H00901.40.15 50 250 pag. 468
● H00901.40.21 50 250 pag. 468
H00901.40.93 50 250 pag. 468
H00901.41.04 50 250 pag. 468
H00901.41.15 50 250 pag. 468
● H00901.41.21 50 250 pag. 468
H00901.41.93 50 250 pag. 468
H00901.42.04 20 500 pag. 469
H00901.42.93 20 500 pag. 469
H00901.43.04 20 500 pag. 470
● H00901.43.21 20 500 pag. 470
H00901.43.93 20 500 pag. 470
H00901.44.04 50 1000 pag. 470
H00901.44.93 50 1000 pag. 470
H00901.45.04 20 200 pag. 460
H00901.45.93 20 200 pag. 460
H00901.46.04 20 200 pag. 460
H00901.46.93 20 200 pag. 460

H00901.47.01 50 50 pag. 491
H00901.47.01 50 50 pag. 524
H00901.47.10 50 50 pag. 509
H00901.47.14 40 40 pag. 509
H00901.48.01 50 50 pag. 491
H00901.48.01 50 50 pag. 524
H00901.48.14 40 40 pag. 509
H00901.48.15 40 40 pag. 509
H00901.49.04 20 80 pag. 455
H00901.49.15 20 80 pag. 455
● H00901.49.21 20 80 pag. 455
H00901.49.93 20 80 pag. 455
H00901.53.93 50 500 pag. 463
H00901.57.04 20 200 pag. 466
H00901.57.15 20 200 pag. 466
● H00901.57.21 20 200 pag. 466
H00901.57.93 20 200 pag. 466
H00901.59.93 1 20 pag. 510
H00901.60.93 1 20 pag. 510
H00901.63.04 20 500 pag. 470
H00901.63.93 20 500 pag. 470
H00901.64.04 20 500 pag. 470
H00901.64.93 20 500 pag. 470
H00901.69.04 50 500 pag. 467
H00901.69.15 50 500 pag. 467
● H00901.69.21 50 500 pag. 467
H00901.69.93 50 500 pag. 467
H00901.70.04 50 500 pag. 467
H00901.70.15 50 500 pag. 467
● H00901.70.21 50 500 pag. 467
H00901.70.93 50 500 pag. 467
H00901.71.04 20 100 pag. 466
H00901.71.15 20 100 pag. 466
● H00901.71.21 20 100 pag. 466
H00901.71.93 20 100 pag. 466
H00901.72.04 20 100 pag. 466
H00901.72.15 20 100 pag. 466
● H00901.72.21 20 100 pag. 466
H00901.72.93 20 100 pag. 466
H00901.73.04 20 80 pag. 454
H00901.73.15 20 80 pag. 454
● H00901.73.21 20 80 pag. 454
H00901.73.93 20 80 pag. 454
H00901.74.04 20 80 pag. 454
H00901.74.15 20 80 pag. 454
● H00901.74.21 20 80 pag. 454
H00901.74.93 20 80 pag. 454
H00901.75.04 50 250 pag. 468
H00901.75.15 50 250 pag. 468
● H00901.75.21 50 250 pag. 468
H00901.75.93 50 250 pag. 468
H00901.76.04 50 250 pag. 468
H00901.76.15 50 250 pag. 468
● H00901.76.21 50 250 pag. 468
H00901.76.93 50 250 pag. 468
H00901.77.04 25 250 pag. 467
H00901.77.15 25 250 pag. 467
● H00901.77.21 25 250 pag. 467
H00901.77.93 25 250 pag. 467
H00901.78.04 25 250 pag. 467
H00901.78.15 25 250 pag. 467
● H00901.78.21 25 250 pag. 467
H00901.78.93 25 250 pag. 467
H00901.79.04 50 250 pag. 468
H00901.79.15 50 250 pag. 468
● H00901.79.21 50 250 pag. 468

Code	 
H00901.79.93	50 250 pag. 468
H00901.80.04	50 250 pag. 468
H00901.80.15	50 250 pag. 468
● H00901.80.21	50 250 pag. 468
H00901.80.93	50 250 pag. 468
H00901.81.93	50 500 pag. 461
H00901.82.93	50 500 pag. 460
H00901.83.04	50 500 pag. 466
H00901.83.15	50 500 pag. 466
● H00901.83.21	50 500 pag. 466
H00901.83.93	50 500 pag. 466
H00901.84.04	50 500 pag. 466
H00901.84.15	50 500 pag. 466
● H00901.84.21	50 500 pag. 466
H00901.84.93	50 500 pag. 466
H00901.85.04	50 500 pag. 467
H00901.85.15	50 500 pag. 467
● H00901.85.21	50 500 pag. 467
H00901.85.93	50 500 pag. 467
H00901.86.04	50 500 pag. 467
H00901.86.15	50 500 pag. 467
● H00901.86.21	50 500 pag. 467
H00901.86.93	50 500 pag. 467
H00901.88.04	20 80 pag. 455
H00901.88.15	20 80 pag. 455
● H00901.88.21	20 80 pag. 455
H00901.88.93	20 80 pag. 455
H00901.89.04	20 80 pag. 455
H00901.89.15	20 80 pag. 455
● H00901.89.21	20 80 pag. 455
H00901.89.93	20 80 pag. 455
H00901.90.04	20 80 pag. 455
H00901.90.15	20 80 pag. 455
● H00901.90.21	20 80 pag. 455
H00901.90.93	20 80 pag. 455
H00901.93.93	1 20 pag. 511
H00901.94.93	1 20 pag. 511
H00903.06.04	20 20 pag. 457
H00903.06.93	20 20 pag. 457
H00903.07.04	20 20 pag. 457
H00903.07.93	20 20 pag. 457
H00903.08.04	20 20 pag. 457
H00903.08.93	20 20 pag. 457
H00903.09.04	20 20 pag. 457
H00903.09.93	20 20 pag. 457
H00903.10.93	20 20 pag. 458
H00903.11.04	20 20 pag. 459
H00903.11.93	20 20 pag. 459
H00903.12.04	20 20 pag. 457
H00903.12.93	20 20 pag. 457
H00903.13.04	20 20 pag. 457
H00903.13.93	20 20 pag. 457
H00903.15.04	20 20 pag. 456
H00903.15.15	20 20 pag. 456
● H00903.15.21	20 20 pag. 456
H00903.15.93	20 20 pag. 456
H00903.16.04	20 20 pag. 458
H00903.16.15	20 20 pag. 458
● H00903.16.21	20 20 pag. 458
H00903.16.93	20 20 pag. 458
H00903.17.04	20 20 pag. 456
H00903.17.15	20 20 pag. 456
● H00903.17.21	20 20 pag. 456
H00903.17.93	20 20 pag. 456
H00903.18.04	20 20 pag. 456
H00903.18.15	20 20 pag. 456

Code	 
● H00903.18.21	20 20 pag. 456
H00903.18.93	20 20 pag. 456
H00903.19.04	20 20 pag. 459
H00903.19.93	20 20 pag. 459
H00903.20.04	20 20 pag. 458
H00903.20.15	20 20 pag. 458
● H00903.20.21	20 20 pag. 458
H00903.20.93	20 20 pag. 458
H00903.21.04	20 20 pag. 458
H00903.21.15	20 20 pag. 458
● H00903.21.21	20 20 pag. 458
H00903.21.93	20 20 pag. 458
H00903.22.04	20 20 pag. 458
H00903.22.15	20 20 pag. 458
● H00903.22.21	20 20 pag. 458
H00903.22.93	20 20 pag. 458
H00904.14.15	20 20 pag. 509
H00911.00.04	20 20 pag. 487
H00911.00.93	20 20 pag. 487
H00911.01.04	20 20 pag. 487
H00911.01.93	20 20 pag. 487
H00911.02.04	20 20 pag. 487
H00911.02.93	20 20 pag. 487
H00911.03.04	20 20 pag. 487
H00911.03.93	20 20 pag. 487
H00912.01.04	20 20 pag. 487
H00912.01.93	20 20 pag. 487
H00912.02.04	20 20 pag. 487
H00912.02.93	20 20 pag. 487
H00912.03.04	20 20 pag. 487
H00912.03.93	20 20 pag. 487
H00913.00.04	20 20 pag. 506
H00913.00.93	20 20 pag. 506
H00913.01.04	20 20 pag. 506
H00913.01.93	20 20 pag. 506
H00914.00.04	20 20 pag. 493
H00914.00.93	20 20 pag. 493
H00914.01.04	20 20 pag. 493
H00914.01.93	20 20 pag. 493
H00914.02.04	20 20 pag. 493
H00914.02.93	20 20 pag. 493
H00914.03.04	20 20 pag. 493
H00914.03.93	20 20 pag. 493
H00915.01.04	20 20 pag. 493
H00915.01.93	20 20 pag. 493
H00915.02.04	20 20 pag. 493
H00915.02.93	20 20 pag. 493
H00915.03.04	20 20 pag. 493
H00915.03.93	20 20 pag. 493
H00915.04.04	20 20 pag. 493
H00915.04.93	20 20 pag. 493
H00916.00.04	100 1400 pag. 512
H00916.00.93	100 1400 pag. 512
H00916.25.01	100 100 pag. 511
H00916.25.04	100 100 pag. 511
H00916.25.93	100 100 pag. 511
H00916.30.01	100 100 pag. 511
H00916.30.04	100 100 pag. 511
H00916.30.93	100 100 pag. 511
H00916.35.01	100 100 pag. 511
H00916.35.04	100 100 pag. 511
H00916.35.93	100 100 pag. 511
H00916.40.01	100 100 pag. 511
H00916.40.04	100 100 pag. 511
H00916.40.93	100 100 pag. 511
H00916.45.01	100 100 pag. 511

Code	 
H00916.45.04	100 100 pag. 511
H00916.45.93	100 100 pag. 511
H00916.50.01	100 100 pag. 511
H00916.50.04	100 100 pag. 511
H00916.50.93	100 100 pag. 511
H00916.55.01	100 100 pag. 511
H00916.55.04	100 100 pag. 511
H00916.55.93	100 100 pag. 511
H00916.60.01	100 100 pag. 511
H00916.60.04	100 100 pag. 511
H00916.60.93	100 100 pag. 511
H00917.01.93	100 100 pag. 524
H00917.02.93	100 100 pag. 524
H00918.01.04	20 20 pag. 504
H00918.01.93	20 20 pag. 504
H00919.00.04	20 20 pag. 505
H00919.00.93	20 20 pag. 505
H00919.01.04	20 20 pag. 505
H00919.01.93	20 20 pag. 505
H00919.02.04	20 20 pag. 505
H00919.02.93	20 20 pag. 505
H00919.03.04	20 20 pag. 504
H00919.03.93	20 20 pag. 504
H00919.04.04	20 20 pag. 504
H00919.04.93	20 20 pag. 504
H00919.05.93	20 20 pag. 505
H00919.06.93	20 20 pag. 505
H00920.01.04	20 20 pag. 504
H00920.01.93	20 20 pag. 504
H00920.02.04	20 20 pag. 504
H00920.02.93	20 20 pag. 504
H00920.03.04	20 20 pag. 504
H00920.03.93	20 20 pag. 504
H00920.04.04	20 20 pag. 504
H00920.04.93	20 20 pag. 504
H00921.00.93	20 1000 pag. 494
H00922.00.93	20 20 pag. 510
H00922.01.93	20 1000 pag. 510
H00922.02.93	20 20 pag. 510
H00923.00.04	20 20 pag. 497
H00923.00.93	20 20 pag. 497
H00923.15.04	20 20 pag. 498
H00923.15.93	20 20 pag. 498
H00924.12.04	20 20 pag. 490
H00924.12.93	20 20 pag. 490
H00924.15.04	20 20 pag. 490
H00924.15.93	20 20 pag. 490
H00924.18.04	20 20 pag. 490
H00924.18.93	20 20 pag. 490
H00924.20.04	20 20 pag. 490
H00924.20.93	20 20 pag. 490
H00924.22.04	20 20 pag. 490
H00924.22.93	20 20 pag. 490
H00924.24.04	20 20 pag. 490
H00924.24.93	20 20 pag. 490
H00924.26.04	20 20 pag. 490
H00924.26.93	20 20 pag. 490
H00924.28.04	20 20 pag. 490
H00924.28.93	20 20 pag. 490
H00924.30.04	20 20 pag. 490
H00924.30.93	20 20 pag. 490
H00925.45.04	20 100 pag. 488
H00925.45.93	20 100 pag. 488
H00926.00.04	20 20 pag. 506
● H00926.00.15	20 20 pag. 506
● H00926.00.21	20 20 pag. 506

Code 

H00926.00.93	20	20	pag. 506
H00926.01.93	20	20	pag. 506
H00926.02.93	20	20	pag. 506
H00926.03.04	20	20	pag. 508
H00926.03.93	20	20	pag. 508
H00926.04.93	20	20	pag. 507
H00927.00.04	20	20	pag. 497
H00927.00.93	20	20	pag. 497
H00927.15.04	20	20	pag. 498
H00927.15.93	20	20	pag. 498
H00928.01.04	20	20	pag. 491
H00928.01.93	20	20	pag. 491
H00928.02.04	20	20	pag. 491
H00928.02.93	20	20	pag. 491
H00928.03.04	20	20	pag. 491
H00928.03.93	20	20	pag. 491
H00928.04.04	20	20	pag. 491
H00928.04.93	20	20	pag. 491
H00930.00.01	1	1	pag. 513
H00930.00.02	1	1	pag. 513
H00930.01.01	1	1	pag. 513
H00930.02.01	1	1	pag. 514
H00930.03.01	1	1	pag. 514
H00930.03.02	1	1	pag. 515
H00930.03.03	1	1	pag. 515
H00930.03.07	1	1	pag. 515
H00930.05.01	1	1	pag. 514
H00931.01.04	20	20	pag. 500
H00931.01.93	20	20	pag. 500
H00931.02.04	20	20	pag. 501
H00931.02.93	20	20	pag. 501
H00931.03.04	20	20	pag. 500
H00931.03.93	20	20	pag. 500
H00931.04.04	20	20	pag. 501
H00931.04.93	20	20	pag. 501
H00931.05.04	20	20	pag. 501
H00931.05.93	20	20	pag. 501
H00931.06.04	20	20	pag. 501
H00931.06.93	20	20	pag. 501
H00931.07.04	20	20	pag. 502
H00931.07.93	20	20	pag. 502
H00931.08.04	20	20	pag. 502
H00931.08.93	20	20	pag. 502
H00931.09.04	20	20	pag. 502
H00931.09.93	20	20	pag. 502
H00931.10.04	20	20	pag. 502
H00931.10.93	20	20	pag. 502
H00931.11.93	20	20	pag. 500
H00932.08.04	20	20	pag. 494
H00932.08.93	20	20	pag. 494
H00933.08.04	20	20	pag. 494
H00933.08.93	20	20	pag. 494
H00934.08.04	20	20	pag. 499
H00934.08.93	20	20	pag. 499
H00935.08.04	20	20	pag. 500
H00935.08.93	20	20	pag. 500
H00936.08.04	20	20	pag. 499
H00936.08.93	20	20	pag. 499
H00937.08.04	20	20	pag. 500
H00937.08.93	20	20	pag. 500
H00938.08.04	20	20	pag. 499
H00938.08.93	20	20	pag. 499
H00939.08.04	20	20	pag. 499
H00939.08.93	20	20	pag. 499
H00940.08.04	20	20	pag. 495
H00940.08.93	20	20	pag. 495

Code 

H00941.08.04	20	20	pag. 495
H00941.08.93	20	20	pag. 495
H00942.08.04	20	20	pag. 495
H00942.08.93	20	20	pag. 495
H00943.08.04	20	20	pag. 495
H00943.08.93	20	20	pag. 495
H00944.08.04	20	20	pag. 494
H00944.08.93	20	20	pag. 494
H00945.08.04	20	20	pag. 494
H00945.08.93	20	20	pag. 494
H00946.40.04	20	20	pag. 495
H00946.40.93	20	20	pag. 495
H00947.40.04	20	20	pag. 496
H00947.40.93	20	20	pag. 496
H00948.25.04	20	20	pag. 496
H00948.25.93	20	20	pag. 496
H00949.01.04	20	20	pag. 493
H00949.01.93	20	20	pag. 493
H00949.02.04	20	20	pag. 493
H00949.02.93	20	20	pag. 493
H00949.03.04	20	20	pag. 493
H00949.03.93	20	20	pag. 493
H00949.04.04	20	20	pag. 493
H00949.04.93	20	20	pag. 493
H00950.25.04	20	20	pag. 502
H00950.25.93	20	200	pag. 502
H00951.25.04	20	20	pag. 503
H00951.25.93	20	100	pag. 503
H00952.01.04	20	20	pag. 505
H00952.01.93	20	20	pag. 505
H00952.02.04	20	20	pag. 505
H00952.02.93	20	20	pag. 505
H00952.03.04	20	20	pag. 505
H00952.03.93	20	20	pag. 505
H00952.04.04	20	20	pag. 505
H00952.04.93	20	20	pag. 505
H00952.05.04	20	20	pag. 505
H00952.05.93	20	20	pag. 505
H00952.06.04	20	20	pag. 505
H00952.06.93	20	20	pag. 505
H00952.07.04	20	20	pag. 505
H00952.07.93	20	20	pag. 505
H00952.08.04	20	20	pag. 505
H00952.08.93	20	20	pag. 505
H00952.09.04	20	20	pag. 505
H00952.09.93	20	20	pag. 505
H00952.10.04	20	20	pag. 505
H00952.10.93	20	20	pag. 505
H00960.25.04	5	5	pag. 485
H00960.25.93	5	5	pag. 485
H00960.40.04	5	5	pag. 485
H00960.40.93	5	5	pag. 485
H00960.50.04	5	5	pag. 485
H00960.50.93	5	5	pag. 485
H00960.60.04	5	5	pag. 485
H00960.60.93	5	5	pag. 485
H00961.29.04	5	5	pag. 485
H00961.29.93	5	5	pag. 485
H00961.44.04	5	5	pag. 485
H00961.44.93	5	5	pag. 485
H00961.54.04	5	5	pag. 485
H00961.54.93	5	5	pag. 485
H00961.64.04	5	5	pag. 485
H00961.64.93	5	5	pag. 485
H00962.22.04	5	5	pag. 485
H00962.22.93	5	5	pag. 485



Code 



H00962.30.04	5	5	pag. 485
H00962.30.93	5	5	pag. 485
H00962.40.04	5	5	pag. 485
H00962.40.93	5	5	pag. 485
H00962.50.04	5	5	pag. 485
H00962.50.93	5	5	pag. 485
H00963.00.04	5	5	pag. 485
H00963.00.93	5	5	pag. 485
H00963.23.04	5	5	pag. 486
H00963.23.93	5	5	pag. 486
H00964.00.09	50	50	pag. 486
H00964.01.04	20	20	pag. 477
H00964.01.04	20	20	pag. 486
H00964.01.93	20	20	pag. 477
H00964.01.93	20	20	pag. 486
H00964.02.93	10	10	pag. 486
H01143.13.04	20	20	pag. 503
H01143.13.93	20	20	pag. 503
H01144.18.04	20	120	pag. 503
H01144.18.93	20	120	pag. 503
H01145.18.04	20	120	pag. 503
H01145.18.93	20	120	pag. 503
H01149.01.04	20	20	pag. 491
H01149.01.93	20	20	pag. 491
H01149.02.04	20	20	pag. 491
H01149.02.93	20	20	pag. 491
H01149.03.04	20	20	pag. 491
H01149.03.93	20	20	pag. 491
H01149.04.04	20	20	pag. 491
H01149.04.93	20	20	pag. 491
H01149.12.30	5	5	pag. 525
H01149.12.31	5	5	pag. 525
H01149.12.90	5	5	pag. 525
H01149.16.30	5	5	pag. 525
H01149.16.31	5	5	pag. 525
H01149.16.90	5	5	pag. 525
H01180.17.30	5	5	pag. 525
H01180.17.31	5	5	pag. 525
H01189.20.04	12	60	pag. 518
H01189.20.93	12	60	pag. 518
H01190.20.04	12	60	pag. 518
H01190.20.93	12	60	pag. 518
H01191.20.04	12	60	pag. 518
H01191.20.93	12	60	pag. 518
H01850.30.04	12	120	pag. 521
H01850.30.09	12	120	pag. 521
H01850.35.04	12	120	pag. 521
H01850.35.09	12	120	pag. 521
H01850.40.04	12	120	pag. 521
H01850.40.09	12	120	pag. 521
H01851.30.04	12	120	pag. 521
H01851.30.09	12	120	pag. 521
H01851.35.04	12	120	pag. 521
H01851.35.09	12	120	pag. 521
H01851.40.04	12	120	pag. 521
H01851.40.09	12	120	pag. 521
H01852.30.04	12	120	pag. 520
H01852.30.09	12	120	pag. 520
H01852.35.04	12	120	pag. 520
H01852.35.09	12	120	pag. 520
H01852.40.04	12	120	pag. 520
H01852.40.09	12	120	pag. 520
H01853.30.04	12	120	pag. 520
H01853.30.09	12	120	pag. 520
H01853.35.04	12	120	pag. 520
H01853.35.09	12	120	pag. 520



H01853.40.04	12 120	pag. 520
H01853.40.09	12 120	pag. 520
H01901.18.04	20 200	pag. 462
H01901.18.93	20 200	pag. 462
H01904.14.15	20 20	pag. 509
H01904.17.15	20 20	pag. 509
H01904.22.15	20 20	pag. 509
H01911.00.04	20 20	pag. 487
H01911.00.93	20 20	pag. 487
H01911.01.04	20 20	pag. 487
H01911.01.93	20 20	pag. 487
H01911.02.04	20 20	pag. 487
H01911.02.93	20 20	pag. 487
H01911.03.04	20 20	pag. 487
H01911.03.93	20 20	pag. 487
H01912.01.04	20 20	pag. 488
H01912.01.93	20 20	pag. 488
H01912.02.04	20 20	pag. 488
H01912.02.93	20 20	pag. 488
H01912.03.04	20 20	pag. 488
H01912.03.93	20 20	pag. 488
H01923.00.04	20 20	pag. 498
H01923.00.93	20 20	pag. 498
H01923.15.04	20 20	pag. 499
H01923.15.93	20 20	pag. 499
H01924.15.04	20 20	pag. 489
H01924.15.93	20 20	pag. 489
H01924.18.04	20 20	pag. 489
H01924.18.93	20 20	pag. 489
H01924.20.04	20 20	pag. 489
H01924.20.93	20 20	pag. 489
H01924.22.04	20 20	pag. 489
H01924.22.93	20 20	pag. 489
H01924.24.04	20 20	pag. 489
H01924.24.93	20 20	pag. 489
H01924.26.04	20 20	pag. 489
H01924.26.93	20 20	pag. 489
H01924.28.04	20 20	pag. 489
H01924.28.93	20 20	pag. 489
H01924.30.04	20 20	pag. 489
H01924.30.93	20 20	pag. 489
H01925.45.04	20 100	pag. 488
H01925.45.93	20 100	pag. 488
H01926.00.04	20 20	pag. 507
H01926.00.15	20 20	pag. 507
H01926.00.21	20 20	pag. 507
H01926.00.93	20 20	pag. 507
H01926.01.04	20 20	pag. 508
H01926.01.93	20 20	pag. 508
H01926.04.93	20 20	pag. 507
H01926.05.93	20 20	pag. 508
H01926.38.00	20 200	pag. 507
H01926.54.00	20 200	pag. 507
H01927.00.04	20 20	pag. 497
H01927.00.93	20 20	pag. 497
H01927.15.04	20 20	pag. 498
H01927.15.93	20 20	pag. 498
H01928.01.04	20 20	pag. 491
H01928.01.93	20 20	pag. 491
H01928.02.04	20 20	pag. 491
H01928.02.93	20 20	pag. 491
H01928.03.04	20 20	pag. 491
H01928.03.93	20 20	pag. 491
H01928.04.04	20 20	pag. 491
H01928.04.93	20 20	pag. 491
H01932.08.04	20 20	pag. 494




H01932.08.93	20 20	pag. 494
H01933.08.04	20 20	pag. 494
H01933.08.93	20 20	pag. 494
H01940.08.04	20 20	pag. 495
H01940.08.93	20 20	pag. 495
H01941.08.04	20 20	pag. 495
H01941.08.93	20 20	pag. 495
H01942.08.04	20 20	pag. 495
H01942.08.93	20 20	pag. 495
H01943.08.04	20 20	pag. 495
H01943.08.93	20 20	pag. 495
H01944.08.04	20 20	pag. 494
H01944.08.93	20 20	pag. 494
H01945.08.04	20 20	pag. 494
H01945.08.93	20 20	pag. 494
H01946.40.04	20 20	pag. 495
H01946.40.93	20 20	pag. 495
H01947.40.04	20 20	pag. 496
H01947.40.93	20 20	pag. 496
H01948.25.04	20 20	pag. 496
H01948.25.93	20 20	pag. 496
H02143.13.04	20 20	pag. 503
H02143.13.93	20 20	pag. 503
H02901.18.15	20 20	pag. 462
H02901.18.21	20 20	pag. 462
H02901.18.93	20 20	pag. 462
H02924.12.04	20 20	pag. 490
H02924.12.93	20 20	pag. 490
H02924.15.04	20 20	pag. 490
H02924.15.93	20 20	pag. 490
H02924.18.04	20 20	pag. 490
H02924.18.93	20 20	pag. 490
H02924.20.04	20 20	pag. 490
H02924.20.93	20 20	pag. 490
H02924.22.04	20 20	pag. 490
H02924.22.93	20 20	pag. 490
H02924.24.04	20 20	pag. 490
H02924.24.93	20 20	pag. 490
H02924.26.04	20 20	pag. 490
H02924.26.93	20 20	pag. 490
H02924.28.04	20 20	pag. 490
H02924.28.93	20 20	pag. 490
H02924.30.04	20 20	pag. 490
H02924.30.93	20 20	pag. 490
H02925.45.04	20 100	pag. 489
H02925.45.93	20 100	pag. 489
H02926.01.93	20 20	pag. 508
H02926.02.93	20 20	pag. 508
H02926.03.93	20 20	pag. 508
H02926.04.93	20 20	pag. 508
H02926.98.00	20 20	pag. 508
H03924.22.04	20 20	pag. 489
H03924.22.93	20 20	pag. 489
H03924.24.04	20 20	pag. 489
H03924.24.93	20 20	pag. 489
H03924.26.04	20 20	pag. 489
H03924.26.93	20 20	pag. 489
H03924.28.04	20 20	pag. 489
H03924.28.93	20 20	pag. 489
H03924.30.04	20 20	pag. 489
H03924.30.93	20 20	pag. 489
H08018.18.04	12 60	pag. 519
H08018.18.93	12 60	pag. 519
H08019.18.04	12 60	pag. 519
H08019.18.93	12 60	pag. 519
H08028.18.04	20 20	pag. 491




H08028.18.93	20 20	pag. 491
H08029.18.04	20 20	pag. 491
H08029.18.93	20 20	pag. 491
H11820.18.04	12 120	pag. 520
H11820.18.93	12 120	pag. 520
H11820.20.04	12 120	pag. 520
H11820.20.93	12 120	pag. 520
H11830.18.04	12 120	pag. 520
H11830.18.93	12 120	pag. 520
H11830.20.04	12 120	pag. 520
H11830.20.93	12 120	pag. 520
H11831.18.04	12 120	pag. 520
H11831.18.93	12 120	pag. 520
H11831.20.04	12 120	pag. 520
H11831.20.93	12 120	pag. 520
H11834.04.04	12 120	pag. 521
H11834.04.93	12 120	pag. 521
H11834.05.04	12 120	pag. 521
H11834.05.93	12 120	pag. 521
H11834.06.04	12 12	pag. 521
H11834.06.93	12 12	pag. 521
H11834.20.04	12 120	pag. 521
H11834.20.93	12 120	pag. 521
H11835.03.93	12 120	pag. 521
H11835.04.93	12 120	pag. 521
H11835.06.93	12 12	pag. 521
H11836.10.93	12 12	pag. 521
H11850.30.04	12 120	pag. 522
H11850.30.09	12 120	pag. 522
H11850.35.04	12 120	pag. 522
H11850.35.09	12 120	pag. 522
H11850.40.04	12 120	pag. 522
H11850.40.09	12 120	pag. 522
H12035.25.93	12 12	pag. 521
H12035.26.93	12 12	pag. 521
H12035.29.93	12 12	pag. 521
H12053.12.93	12 120	pag. 520
H12053.14.93	12 120	pag. 520
H12053.17.93	12 120	pag. 520
H32200.00.99	1 20	pag. 476
H32211.01.01	10 10	pag. 477
H32211.02.01	10 10	pag. 477
H32302.00.99	1 10	pag. 478
H32305.00.99	1 20	pag. 478
H32306.00.99	1 20	pag. 478
H32307.03.99	30 300	pag. 479
H32307.03.99	30 300	pag. 479
H32308.00.99	1 10	pag. 479
H32310.02.99	1 20	pag. 478
H32310.03.99	1 20	pag. 478
H32310.04.99	1 20	pag. 478
H32311.02.99	1 20	pag. 478
H32311.03.99	1 20	pag. 478
H32311.04.99	1 20	pag. 478
H32312.00.93	50 50	pag. 477
H33001.01.99	1 20	pag. 475
H33001.05.99	1 20	pag. 476
H33001.07.99	1 20	pag. 475
H33003.00.99	1 20	pag. 475
H33004.00.99	1 20	pag. 475
H33004.01.99	1 20	pag. 475
H33101.00.99	1 20	pag. 474
H33101.02.99	1 20	pag. 474
H33201.00.99	1 20	pag. 474
H34101.00.99	1 1	pag. 471
H34201.00.99	1 1	pag. 471


Code			
H34400.00.93	1	10	pag. 476
H34401.00.93	1	10	pag. 476
H34501.00.99	1	1	pag. 477
H34502.00.99	1	1	pag. 477
H35001.09.99	1	1	pag. 472
H35002.09.99	1	1	pag. 473
H35003.09.99	1	1	pag. 472
H35004.09.99	1	1	pag. 473
H35005.09.99	1	1	pag. 472
H35006.09.99	1	1	pag. 473
H35007.09.99	1	1	pag. 472
H35008.09.99	1	1	pag. 473
HA1851.17.93	20	20	pag. 522
HA1852.17.93	20	20	pag. 522
M02008.01.01	20	20	pag. 641
M02008.01.01	20	20	pag. 647
M02008.01.02	20	20	pag. 641
M02008.04.01	20	20	pag. 641
M02008.04.01	20	20	pag. 647
M02008.05.01	20	20	pag. 641
M02008.05.01	20	20	pag. 647
M02009.01.01	20	20	pag. 641
M02009.01.01	20	20	pag. 647
M02009.04.01	20	20	pag. 641
M02009.04.01	20	20	pag. 647
M02009.05.01	20	20	pag. 641
M02009.05.01	20	20	pag. 647
M02011.02.34	1	1	pag. 428
M02011.02.34	1	1	pag. 441
M02011.02.34	1	1	pag. 451
M02011.02.91	1	1	pag. 441
M02011.02.91	1	1	pag. 428
M02011.02.91	1	1	pag. 451
M02011.02.94	1	1	pag. 428
M02011.02.94	1	1	pag. 441
M02011.02.94	1	1	pag. 451
M02014.01.02	1	1	pag. 428
M02014.01.34	1	1	pag. 428
M02014.01.91	1	1	pag. 428
M02014.02.02	1	1	pag. 428
M02014.02.34	1	1	pag. 428
M02014.02.91	1	1	pag. 428
M02014.03.02	1	1	pag. 428
M02014.03.34	1	1	pag. 428
M02014.03.91	1	1	pag. 428
M02014.04.02	1	1	pag. 428
M02014.04.34	1	1	pag. 428
M02014.04.91	1	1	pag. 428
M02015.00.34	1	1	pag. 429
M02015.00.91	1	1	pag. 429
M02015.00.93	1	1	pag. 429
M02016.01.34	1	1	pag. 429
M02016.01.91	1	1	pag. 429
M02016.01.93	1	1	pag. 429
M02016.02.34	1	1	pag. 429
M02016.02.91	1	1	pag. 429
M02016.02.93	1	1	pag. 429
M02020.01.01	1	1	pag. 422
M02020.01.91	1	1	pag. 422
M02020.01.94	1	1	pag. 422
M02020.02.01	1	1	pag. 422
M02020.02.91	1	1	pag. 422
M02020.02.94	1	1	pag. 425
M02020.03.01	1	1	pag. 425
M02020.03.02	1	1	pag. 425
M02020.03.10	1	1	pag. 425

Code			
M02020.03.91	1	1	pag. 425
M02020.04.01	1	1	pag. 426
M02020.04.02	1	1	pag. 426
M02020.04.91	1	1	pag. 426
M02020.05.01	1	1	pag. 426
M02020.05.02	1	1	pag. 426
M02020.05.91	1	1	pag. 426
M02020.11.01	1	1	pag. 429
M02020.11.02	1	1	pag. 429
M02020.11.31	1	1	pag. 429
M02020.11.91	1	1	pag. 429
M02020.12.01	1	20	pag. 430
M02020.12.02	1	20	pag. 430
M02020.12.31	1	20	pag. 430
M02020.12.91	1	20	pag. 430
M02020.14.14	1	1	pag. 429
M02021.08.01	1	1	pag. 638
M02021.08.02	1	1	pag. 638
M02021.10.01	1	1	pag. 638
M02021.10.02	1	1	pag. 638
M02022.00.34	1	1	pag. 443
M02022.00.91	1	1	pag. 443
M02022.00.94	1	1	pag. 443
M02022.01.34	1	1	pag. 422
M02022.01.34	1	1	pag. 435
M02022.01.34	1	1	pag. 443
M02022.01.91	1	1	pag. 435
M02022.01.91	1	1	pag. 422
M02022.01.91	1	1	pag. 443
M02022.01.94	1	1	pag. 422
M02022.01.94	1	1	pag. 435
M02022.01.94	1	1	pag. 443
M02022.02.34	1	1	pag. 422
M02022.02.34	1	1	pag. 435
M02022.02.34	1	1	pag. 443
M02022.02.91	1	1	pag. 435
M02022.02.91	1	1	pag. 422
M02022.02.91	1	1	pag. 443
M02022.02.94	1	1	pag. 435
M02022.02.94	1	1	pag. 422
M02022.02.94	1	1	pag. 443
M02022.03.34	1	1	pag. 422
M02022.03.34	1	1	pag. 435
M02022.03.34	1	1	pag. 443
M02022.03.91	1	1	pag. 422
M02022.03.91	1	1	pag. 435
M02022.03.91	1	1	pag. 443
M02022.03.94	1	1	pag. 422
M02022.03.94	1	1	pag. 435
M02022.03.94	1	1	pag. 443
M02022.04.34	1	1	pag. 422
M02022.04.34	1	1	pag. 435
M02022.04.34	1	1	pag. 443
M02022.04.91	1	1	pag. 435
M02022.04.91	1	1	pag. 422
M02022.04.91	1	1	pag. 443
M02022.04.94	1	1	pag. 422
M02022.04.94	1	1	pag. 435
M02022.04.94	1	1	pag. 443
M02023.00.00	1	1	pag. 638
M02023.00.01	1	1	pag. 638
M02023.00.02	1	1	pag. 638
M02023.00.03	1	1	pag. 638
M02024.00.01	1	1	pag. 638
M02024.00.02	1	1	pag. 638
M02024.00.03	1	1	pag. 638

Code			
M02024.00.04	1	1	pag. 638
M02024.00.05	1	1	pag. 638
M02024.00.06	1	1	pag. 638
M02024.00.07	1	1	pag. 638
M02026.00.00	1	1	pag. 639
M02027.30.05	1	1	pag. 639
M02027.30.06	1	1	pag. 639
M02027.30.07	1	1	pag. 639
M02027.40.04	1	1	pag. 639
M02027.40.05	1	1	pag. 639
M02027.40.06	1	1	pag. 639
M02027.40.07	1	1	pag. 639
M02030.00.01	1	1	pag. 430
M02030.00.02	1	1	pag. 431
M02030.00.03	1	1	pag. 431
M02030.00.04	1	1	pag. 431
M02030.00.05	1	1	pag. 431
M02030.01.01	1	1	pag. 432
M02030.01.02	1	1	pag. 432
M02030.01.03	1	1	pag. 432
M02120.01.10	1	1	pag. 422
M02120.02.10	1	1	pag. 422
M02120.04.10	1	1	pag. 426
M02120.05.10	1	1	pag. 426
M02221.08.01	1	1	pag. 638
M02221.08.02	1	1	pag. 638
M02221.10.01	1	1	pag. 638
M02221.10.02	1	1	pag. 638
M02400.00.DX	1	1	pag. 430
M02400.00.SX	1	1	pag. 430
M03003.00.03	10	10	pag. 653
M03003.00.04	10	10	pag. 653
M03003.00.05	10	10	pag. 653
M03003.00.06	10	10	pag. 653
M03003.00.07	10	10	pag. 653
M03003.00.08	10	10	pag. 653
M03003.00.09	10	10	pag. 653
M03003.00.10	10	10	pag. 653
M03021.00.01	1	1	pag. 644
M03021.00.02	1	1	pag. 644
M03023.00.00	1	1	pag. 644
M03023.00.01	1	1	pag. 644
M03023.00.02	1	1	pag. 644
M03023.00.03	1	1	pag. 644
M03024.15.01	1	1	pag. 645
M03024.15.01	1	1	pag. 646
M03024.15.02	1	1	pag. 645
M03024.15.03	1	1	pag. 645
M03024.15.04	1	1	pag. 645
M03024.15.05	1	1	pag. 645
M03024.15.06	1	1	pag. 645
M03024.15.07	1	1	pag. 645
M03026.00.00	1	1	pag. 647
M03114.10.34	1	1	pag. 443
M03114.10.91	1	1	pag. 443
M03114.10.94	1	1	pag. 443
M03114.11.34	1	1	pag. 435
M03114.11.34	1	1	pag. 443
M03114.11.91	1	1	pag. 435
M03114.11.91	1	1	pag. 443
M03114.11.94	1	1	pag. 435
M03114.11.94	1	1	pag. 443
M03114.12.34	1	1	pag. 435
M03114.12.34	1	1	pag. 443
M03114.12.91	1	1	pag. 435
M03114.12.91	1	1	pag. 443

Code		Code		Code				
M03114.12.94	1 1	pag. 435	M42121.10.01	1 1	pag. 423	T13201.30.03	1 10	pag. 634
M03114.12.94	1 1	pag. 443	M42121.10.02	1 1	pag. 423	T13201.30.04	1 10	pag. 634
M03114.13.34	1 1	pag. 435	M42124.00.02	1 1	pag. 424	T14025.15.01	1 20	pag. 633
M03114.13.34	1 1	pag. 443	M42124.00.03	1 1	pag. 424	T14030.15.02	1 20	pag. 633
M03114.13.91	1 1	pag. 435	M42124.00.04	1 1	pag. 424	T14030.20.01	1 20	pag. 633
M03114.13.91	1 1	pag. 443	M42124.00.05	1 1	pag. 424	T14035.15.02	1 20	pag. 633
M03114.13.94	1 1	pag. 435	M42124.00.06	1 1	pag. 424	T14035.17.02	1 20	pag. 633
M03114.13.94	1 1	pag. 443	M42124.00.07	1 1	pag. 424	T14040.20.02	1 20	pag. 633
M03121.00.01	1 1	pag. 644	M42221.08.01	1 1	pag. 423	T14045.20.02	1 20	pag. 633
M03121.00.02	1 1	pag. 644	M42221.08.02	1 1	pag. 423	T14130.15.03	1 20	pag. 633
M03124.15.02	1 1	pag. 646	M42221.10.01	1 1	pag. 423	T14130.15.04	1 20	pag. 633
M03124.15.03	1 1	pag. 646	M42221.10.02	1 1	pag. 423	T14135.20.03	1 20	pag. 633
M03124.15.04	1 1	pag. 646	M42321.08.01	1 1	pag. 423	T14135.20.04	1 20	pag. 633
M03124.15.05	1 1	pag. 646	M42321.08.02	1 1	pag. 423	T14140.20.03	1 20	pag. 633
M03124.15.06	1 1	pag. 646	M42321.10.01	1 1	pag. 423	T14140.20.04	1 20	pag. 633
M03124.15.07	1 1	pag. 646	M42321.10.02	1 1	pag. 423	T14330.15.01	1 20	pag. 636
M40701.xx.00	20 20	pag. 450	M42401.DX.00	1 1	pag. 443	T15503.00.01	1 10	pag. 634
M42001.00.01	1 200	pag. 424	M42401.SX.00	1 1	pag. 443	T15503.00.02	1 10	pag. 634
M42008.01.01	20 20	pag. 427	M43003.00.00	10 10	pag. 449	T15503.00.03	1 10	pag. 634
M42008.01.01	20 20	pag. 439	M43003.00.01	10 10	pag. 449	T15503.00.04	1 10	pag. 634
M42008.01.02	20 20	pag. 427	M43003.00.02	10 10	pag. 449	T15603.00.00	1 10	pag. 635
M42008.04.01	20 20	pag. 427	M43003.00.03	10 10	pag. 449	T15603.03.00	1 10	pag. 635
M42008.04.01	20 20	pag. 439	M43003.00.04	10 10	pag. 449	T15703.30.00	1 10	pag. 636
M42008.05.01	20 20	pag. 427	M43003.00.05	10 10	pag. 449	T15903.00.00	1 20	pag. 635
M42008.05.01	20 20	pag. 439	M43003.00.06	10 10	pag. 449	T16000.01.01	1 1	pag. 631
M42008.CR.01	20 20	pag. 427	M43003.00.07	10 10	pag. 449	T16000.02.01	1 1	pag. 631
M42008.CR.01	20 20	pag. 439	M43003.00.08	10 10	pag. 449	T16001.01.01	1 10	pag. 631
● M42008.DC.01	20 20	pag. 439	M43003.00.09	10 10	pag. 449	T16001.01.02	1 10	pag. 631
M42009.01.01	20 20	pag. 427	M43003.00.10	10 10	pag. 449	T16001.01.03	1 10	pag. 631
M42009.01.01	20 20	pag. 439	M43008.CR.01	20 20	pag. 450	T16001.01.04	1 10	pag. 631
M42009.04.01	20 20	pag. 427	M43021.00.01	1 1	pag. 436	T16001.02.01	1 10	pag. 631
M42009.04.01	20 20	pag. 439	M43021.00.02	1 1	pag. 436	T16001.02.02	1 10	pag. 631
M42009.05.01	20 20	pag. 427	M43023.00.00	1 1	pag. 436	T16001.02.03	1 10	pag. 631
M42009.05.01	20 20	pag. 439	M43023.00.01	1 1	pag. 436	T16001.02.04	1 10	pag. 631
M42009.CR.01	20 20	pag. 427	M43023.00.02	1 1	pag. 436	T16500.00.21	1 1	pag. 361
M42009.CR.01	20 20	pag. 439	M43023.00.03	1 1	pag. 436	T16500.00.50	1 1	pag. 361
● M42009.DC.01	20 20	pag. 439	M43024.15.01	1 1	pag. 437	T16500.00.94	1 1	pag. 361
M42017.xx.00	50 50	pag. 440	M43024.15.01	1 1	pag. 438	T16635.04.01	1 10	pag. 351
M42017.xx.00	50 50	pag. 427	M43024.15.02	1 1	pag. 437	T17501.00.01	1 1	pag. 630
M42017.xx.00	50 50	pag. 641	M43024.15.03	1 1	pag. 437	T17501.00.02	1 1	pag. 630
● M42017.xx.01	1 10	pag. 427	M43024.15.04	1 1	pag. 437	T17501.00.03	1 1	pag. 630
● M42017.xx.01	1 10	pag. 440	M43024.15.05	1 1	pag. 437	T17501.00.04	1 1	pag. 630
● M42017.xx.02	1 10	pag. 427	M43024.15.06	1 1	pag. 437	T17501.00.05	1 1	pag. 630
● M42017.xx.02	1 10	pag. 440	M43024.15.07	1 1	pag. 437	T17501.00.06	1 1	pag. 630
M42021.08.01	1 1	pag. 423	M43026.00.00	1 1	pag. 439	T17701.01.00	1 10	pag. 632
M42021.08.02	1 1	pag. 423	M43103.15.03	1 10	pag. 446	T17701.02.00	1 10	pag. 632
M42021.10.01	1 1	pag. 423	M43103.15.04	1 10	pag. 446	T17701.03.00	1 10	pag. 632
M42021.10.02	1 1	pag. 423	M43103.15.05	1 10	pag. 446	T17701.04.00	1 10	pag. 632
M42023.00.00	1 1	pag. 424	M43103.15.06	1 10	pag. 446	T17701.05.00	1 10	pag. 632
M42023.00.01	1 1	pag. 424	M43103.15.07	1 10	pag. 446	T17702.01.00	1 10	pag. 632
M42023.00.02	1 1	pag. 424	M43103.15.08	1 10	pag. 446	T17702.02.00	1 10	pag. 632
M42023.00.03	1 1	pag. 424	M43103.15.09	1 10	pag. 446	T17702.03.00	1 10	pag. 632
M42024.00.01	1 1	pag. 424	M43103.15.10	1 10	pag. 446	T17702.04.00	1 10	pag. 632
M42024.00.02	1 1	pag. 424	M43121.00.01	1 1	pag. 436	T17702.05.00	1 10	pag. 632
M42024.00.03	1 1	pag. 424	M43121.00.02	1 1	pag. 436	T17800.30.34	1 1	pag. 351
M42024.00.04	1 1	pag. 424	M43124.15.02	1 1	pag. 438	T17800.30.94	1 1	pag. 351
M42024.00.05	1 1	pag. 424	M43124.15.03	1 1	pag. 438	T17800.35.34	1 1	pag. 351
M42024.00.06	1 1	pag. 424	M43124.15.04	1 1	pag. 438	T17800.35.94	1 1	pag. 351
M42024.00.07	1 1	pag. 424	M43124.15.05	1 1	pag. 438	T17800.40.34	1 1	pag. 351
M42026.00.00	1 1	pag. 426	M43124.15.06	1 1	pag. 438	T17800.40.94	1 1	pag. 351
M42027.40.04	1 1	pag. 425	M43124.15.07	1 1	pag. 438	T17801.00.00	1 1	pag. 636
M42027.40.05	1 1	pag. 425	M43203.40.08	1 5	pag. 447	T18001.02.93	12 12	pag. 352
M42027.40.06	1 1	pag. 425	M43203.40.09	1 5	pag. 447	T18001.02.93	12 12	pag. 362
M42027.40.07	1 1	pag. 425	M43203.40.10	1 5	pag. 447	T18001.03.93	12 12	pag. 352
M42121.08.01	1 1	pag. 423	T13201.30.01	1 10	pag. 634	T18001.04.91	12 12	pag. 352
M42121.08.02	1 1	pag. 423	T13201.30.02	1 10	pag. 634	T18001.04.93	12 12	pag. 352

Code			Code			Code		
T18002.01.93	12	12	T47702.01.00	1	10	W01690.00.13	20	20
T18100.03.00	1	1	T47702.02.00	1	10	W01690.00.13	20	20
T18100.04.00	1	1	T47702.03.00	1	10	W01690.00.13	20	20
T18101.03.00	1	1	T47702.04.00	1	10	W01690.00.13	20	20
T18101.04.00	1	1	T47702.05.00	1	10	W01690.00.13	20	20
T18102.03.00	1	1	T47801.00.00	1	1	W01690.00.13	20	20
T18102.04.00	1	1	T48100.03.00	1	1	W01691.01.01	20	20
T18501.03.30	1	1	T48100.04.00	1	1	W01691.01.02	20	20
T18501.03.31	1	1	T48101.03.00	1	1	W01691.01.03	20	20
T18501.03.33	1	1	T48101.04.00	1	1	W01691.05.01	20	20
T18501.03.34	1	1	T48102.03.00	1	1	W01691.05.02	20	20
T18501.30.00	1	1	T48102.04.00	1	1	W01691.05.03	20	20
T18501.35.00	1	1	W01685.35.10	5	5	W01692.01.02	50	250
T18502.40.00	1	1	W01685.40.10	5	5	W01692.01.03	20	200
T18504.01.00	1	1	W01685.45.10	5	5	W01692.01.04	50	500
T18504.01.01	1	1	W01685.50.10	5	5	W01692.01.04	50	500
T18505.01.00	1	1	W01685.55.10	5	5	W01692.01.05	50	250
T18506.00.35	1	1	W01685.60.10	5	5	W01692.01.05	50	250
T18506.00.45	1	1	W01685.70.10	5	5	W01693.01.01	20	100
T43201.30.01	1	10	W01685.xx.xx.210	5	5	W01693.01.02	50	250
T43201.30.02	1	10	W01686.35.09	5	5	W01694.04.01	50	250
T43201.30.03	1	10	W01686.40.09	5	5	W01694.04.01	50	250
T43201.30.04	1	10	W01686.45.09	5	5	W01694.04.02	50	500
T44025.15.01	1	20	W01686.50.09	5	5	W01694.04.03	50	200
T44030.15.02	1	20	W01686.55.09	5	5	W01694.04.03	50	200
T44030.20.01	1	20	W01686.60.09	5	5	W01694.04.04	20	200
T44035.15.02	1	20	W01687.35.10	5	5	W01694.04.05	20	200
T44035.17.02	1	20	W01687.40.10	5	5	W01695.05.01	50	500
T44040.20.02	1	20	W01687.45.10	5	5	W01695.05.01	50	500
T44045.20.02	1	20	W01687.50.10	5	5	W01695.05.02	50	500
T44130.15.03	1	20	W01687.55.10	5	5	W01695.05.03	50	200
T44130.15.04	1	20	W01687.60.10	5	5	W01695.05.03	50	200
T44135.20.03	1	20	W01687.70.10	5	5	W01695.05.04	20	200
T44140.20.03	1	20	W01688.35.09	5	5	W01695.06.01	50	500
T44330.15.01	1	20	W01688.40.09	5	5	W01695.06.01	50	500
T45503.00.01	1	10	W01688.45.09	5	5	W01695.06.02	50	500
T45503.00.02	1	10	W01688.50.09	5	5	W01695.06.02	50	500
T45503.00.03	1	10	W01688.55.09	5	5	W01696.00.04	50	500
T45503.00.04	1	10	W01688.60.09	5	5	W01696.00.04	50	500
T45603.00.00	1	10	W01689.35.10	5	5	W01696.00.04	50	500
T45603.03.00	1	10	W01689.40.10	5	5	W01696.00.04	50	500
T45703.30.00	1	10	W01689.45.10	5	5	W01697.01.13	50	500
T45903.00.00	1	20	W01689.50.10	5	5	W01697.01.13	50	500
T45903.01.00	1	50	W01689.55.10	5	5	W01697.01.13	50	500
T46000.01.01	1	1	W01689.60.10	5	5	W01697.01.13	50	500
T46000.02.01	1	1	W01689.70.10	5	5	W01697.01.13	50	500
T46001.01.01	1	10	W0168x.xx.xx.210	5	5	W01697.06.13	50	250
T46001.01.02	1	10	W0168x.xx.xx.210	5	5	W01698.35.10	5	5
T46001.01.03	1	10	W01690.00.01	20	100	W01698.45.10	5	5
T46001.01.04	1	10	W01690.00.01	20	100	W01698.55.10	5	5
T46001.02.01	1	10	W01690.00.01	20	100	W01698.65.10	5	5
T46001.02.02	1	10	W01690.00.01	20	100	W01698.xx.xx.210	5	5
T46001.02.03	1	10	W01690.00.01	20	100	W02085.50.10	5	5
T46001.02.04	1	10	W01690.00.01	20	100	W02085.70.10	5	5
T46901.00.00	1	20	W01690.00.01	20	100	W02090.00.01	20	100
T47501.00.01	1	1	W01690.00.01	20	100	W02090.00.01	20	100
T47501.00.02	1	1	W01690.00.01	20	100	W02090.00.01	20	100
T47501.00.03	1	1	W01690.00.03	20	20	W02090.00.01	20	100
T47501.00.04	1	1	W01690.00.03	20	20	W02090.00.03	20	20
T47501.00.05	1	1	W01690.00.03	20	20	W02090.00.03	20	20
T47501.00.06	1	1	W01690.00.03	20	20	W02090.00.04	20	20
T47701.01.00	1	10	W01690.00.03	20	20	W11200.35.12	5	5
T47701.02.00	1	10	W01690.00.03	20	20	W11200.35.13	5	5
T47701.03.00	1	10	W01690.00.03	20	20	W11200.40.12	5	5
T47701.04.00	1	10	W01690.00.03	20	20	W11200.40.13	5	5
T47701.05.00	1	10	W01690.00.04	20	20	W11200.45.12	5	5
			W01690.00.05	20	20			

Code Code Code 

W11200.45.13 5 5 pag. 189
W11200.50.12 5 5 pag. 189
W11200.50.13 5 5 pag. 189
W11200.55.12 5 5 pag. 189
W11200.55.13 5 5 pag. 189
W11200.60.12 5 5 pag. 189
W11200.60.13 5 5 pag. 189
W11200.70.12 5 5 pag. 189
W11200.70.13 5 5 pag. 189
W11201.35.12 5 5 pag. 189
W11201.35.13 5 5 pag. 189
W11201.40.12 5 5 pag. 189
W11201.40.13 5 5 pag. 189
W11201.45.12 5 5 pag. 189
W11201.45.13 5 5 pag. 189
W11201.50.12 5 5 pag. 189
W11201.50.13 5 5 pag. 189
W11201.55.12 5 5 pag. 189
W11201.55.13 5 5 pag. 189
W11201.60.12 5 5 pag. 189
W11201.60.13 5 5 pag. 189
W11201.70.12 5 5 pag. 189
W11201.70.13 5 5 pag. 189
W11220.35.13 5 5 pag. 190
W11220.40.13 5 5 pag. 190
W11220.45.13 5 5 pag. 190
W11220.50.13 5 5 pag. 190
W11220.55.13 5 5 pag. 190
W11220.65.13 5 5 pag. 190
W11221.35.13 5 5 pag. 190
W11221.40.13 5 5 pag. 190
W11221.45.13 5 5 pag. 190
W11221.50.13 5 5 pag. 190
W11221.55.13 5 5 pag. 190
W11221.65.13 5 5 pag. 190
W11221.80.12 5 5 pag. 190
W11221.80.13 5 5 pag. 190
W112xx.xx.xx.210 5 5 pag. 189
W112xx.xx.xx.210 5 5 pag. 190
W11400.35.12 5 5 pag. 193
W11400.35.13 5 5 pag. 193
W11400.40.12 5 5 pag. 193
W11400.40.13 5 5 pag. 193
W11400.45.12 5 5 pag. 193
W11400.45.13 5 5 pag. 193
W11400.50.12 5 5 pag. 193
W11400.50.13 5 5 pag. 193
W11400.55.12 5 5 pag. 193
W11400.55.13 5 5 pag. 193
W11400.60.12 5 5 pag. 193
W11400.60.13 5 5 pag. 193
W11400.70.12 5 5 pag. 193
W11400.70.13 5 5 pag. 193
W11400.xx.xx.210 5 5 pag. 193
W11692.01.01 20 20 pag. 201
W11692.01.01 20 20 pag. 220
W11692.03.01 20 20 pag. 201
W11692.03.01 20 20 pag. 220
W11692.03.02 20 20 pag. 201
W11692.03.02 20 20 pag. 220
W11692.04.01 20 20 pag. 201
W11692.04.01 20 20 pag. 220
W11692.04.02 20 20 pag. 201
W11692.04.02 20 20 pag. 220
W11692.04.02 20 20 pag. 220
W11692.05.01 20 20 pag. 201
W11692.05.01 20 20 pag. 220

W20067.01.01 20 180 pag. 208
W20067.01.02 20 180 pag. 208
W20067.01.03 20 20 pag. 208
W20067.01.04 20 20 pag. 208
W20067.02.01 20 180 pag. 208
W20067.02.02 20 180 pag. 208
W20067.02.03 20 20 pag. 208
W20067.02.04 20 20 pag. 208
W20067.03.01 20 180 pag. 208
W20067.03.02 20 180 pag. 208
W20067.03.03 20 20 pag. 208
W20067.03.04 20 20 pag. 208
W20067.04.01 20 180 pag. 208
W20067.04.02 20 180 pag. 208
W20067.04.03 20 20 pag. 208
W20067.04.04 20 20 pag. 208
W20067.05.01 20 180 pag. 208
W20067.05.02 20 180 pag. 208
W20067.05.03 20 20 pag. 208
W20067.05.04 20 20 pag. 208
W20067.19.01 20 180 pag. 208
W20067.19.02 20 180 pag. 208
W20067.19.03 20 20 pag. 208
W20067.19.04 20 20 pag. 208
W20068.01.01 20 120 pag. 208
W20068.01.02 20 20 pag. 208
W20068.02.01 20 120 pag. 208
W20068.02.02 20 20 pag. 208
W20068.03.01 20 120 pag. 208
W20068.03.02 20 20 pag. 208
W20068.04.01 20 120 pag. 208
W20068.04.02 20 20 pag. 208
W20068.05.01 20 120 pag. 208
W20068.05.02 20 20 pag. 208
W20068.19.01 20 20 pag. 208
W20068.19.02 20 20 pag. 208
W20167.03.01 20 180 pag. 208
W20167.03.02 20 180 pag. 208
W20167.03.03 20 20 pag. 208
W20167.03.04 20 20 pag. 208
W20167.04.01 20 180 pag. 208
W20167.04.02 20 180 pag. 208
W20167.04.03 20 20 pag. 208
W20167.04.04 20 20 pag. 208
W20168.03.01 20 120 pag. 208
W20168.03.02 20 20 pag. 208
W20168.04.01 20 120 pag. 208
W20168.04.02 20 20 pag. 208
W21200.25.12 5 5 pag. 215
W21200.25.13 5 5 pag. 215
W21200.30.12 5 5 pag. 215
W21200.30.13 5 5 pag. 215
W21200.35.12 5 5 pag. 215
W21200.35.13 5 5 pag. 215
W21200.40.12 5 5 pag. 215
W21200.40.13 5 5 pag. 215
W21200.45.12 5 5 pag. 215
W21200.45.13 5 5 pag. 215
W21200.50.12 5 5 pag. 215
W21200.50.13 5 5 pag. 215
W21200.55.12 5 5 pag. 215
W21200.55.13 5 5 pag. 215
W21220.25.13 5 5 pag. 215
W21220.30.13 5 5 pag. 215
W21220.35.13 5 5 pag. 215
W21220.40.13 5 5 pag. 215

W21220.45.13 5 5 pag. 215
W21220.50.13 5 5 pag. 215
W21220.55.13 5 5 pag. 215
W21221.55.13 5 5 pag. 215
W97004.01.01 1 1 pag. 200
W97004.03.01 1 1 pag. 200
W97004.04.01 1 1 pag. 200
W97004.05.01 1 1 pag. 200
W97004.CR.01 1 1 pag. 200
W97104.01.01 1 1 pag. 200
W97104.03.01 1 1 pag. 200
W97104.04.01 1 1 pag. 200
W97104.05.01 1 1 pag. 200
W97104.CR.01 1 1 pag. 200
W98000.01.00 10 10 pag. 199
W98000.04.00 10 10 pag. 199
W98000.05.00 10 10 pag. 199
W98004.01.01 1 1 pag. 199
W98004.03.01 1 1 pag. 199
W98004.04.01 1 1 pag. 199
W98004.05.01 1 1 pag. 199
W98004.CR.01 1 1 pag. 199
W98100.01.00 10 10 pag. 199
W98100.04.00 10 10 pag. 199
W98100.05.00 10 10 pag. 199
W98104.01.01 1 1 pag. 199
W98104.03.01 1 1 pag. 199
W98104.04.01 1 1 pag. 199
W98104.05.01 1 1 pag. 199
W98104.CR.01 1 1 pag. 199
W99610.01.13 20 20 pag. 204
W99610.01.13 20 20 pag. 219
W99610.01.20 5 5 pag. 206
W99610.01.20 5 5 pag. 223
W99610.01.21 5 5 pag. 206
W99610.01.21 5 5 pag. 223
W99610.03.13 20 20 pag. 204
W99610.03.13 20 20 pag. 219
W99610.04.13 20 20 pag. 204
W99610.04.13 20 20 pag. 219
W99610.05.13 20 20 pag. 204
W99610.05.13 20 20 pag. 219
W99610.05.20 5 5 pag. 206
W99610.05.20 5 5 pag. 223
W99610.05.21 5 5 pag. 206
W99610.05.21 5 5 pag. 223
W99611.00.29 5 5 pag. 207
W99611.00.29 5 5 pag. 224
W99611.00.30 5 5 pag. 207
W99611.00.30 5 5 pag. 224
W99611.01.31 20 200 pag. 203
W99611.19.29 3 3 pag. 207
W99611.19.29 3 3 pag. 224
W99611.19.30 3 3 pag. 207
W99611.19.30 3 3 pag. 224
W99611.19.30 3 3 pag. 224
W99612.00.29 5 5 pag. 207
W99612.00.29 5 5 pag. 224
W99612.00.30 5 5 pag. 207
W99612.00.30 5 5 pag. 224
W99612.01.31 20 200 pag. 203
W99612.19.29 3 3 pag. 207
W99612.19.29 3 3 pag. 224
W99612.19.30 3 3 pag. 207
W99612.19.30 3 3 pag. 224
W99620.08.13 10 50 pag. 204
W99620.08.17 10 100 pag. 204

Code  Code  

W99620.08.46	5	5	pag. 201
W99620.08.58	5	5	pag. 201
W99621.08.45	5	150	pag. 202
W99621.08.57	5	150	pag. 202
W99622.08.45	5	150	pag. 202
W99622.08.57	5	150	pag. 202
W99630.00.13	20	20	pag. 222
W99630.07.24	50	50	pag. 222
W99631.07.20	5	5	pag. 206
W99631.07.20	5	5	pag. 223
W99631.07.21	5	5	pag. 206
W99631.07.21	5	5	pag. 223
W99632.07.20	5	5	pag. 206
W99632.07.20	5	5	pag. 223
W99632.07.21	5	5	pag. 206
W99632.07.21	5	5	pag. 223
W99699.03.03	1	150	pag. 205
● W99704.19.01	20	20	pag. 209
● W99704.19.02	20	20	pag. 209
● W99704.19.03	20	20	pag. 209
W99710.01.01	10	60	pag. 209
W99710.01.01	10	60	pag. 227
W99710.01.02	10	60	pag. 209
W99710.01.02	10	60	pag. 227
W99710.02.01	10	60	pag. 209
W99710.02.02	10	60	pag. 209
W99710.03.01	10	60	pag. 209
W99710.03.02	10	60	pag. 209
W99710.04.01	10	60	pag. 209
W99710.04.02	10	60	pag. 209
W99710.05.01	10	60	pag. 209
W99710.05.01	10	60	pag. 227
W99710.05.02	10	60	pag. 209
W99710.05.02	10	60	pag. 227
W99721.00.00	1	5	pag. 207
W99721.00.00	1	5	pag. 224
W99721.01.01	1	5	pag. 207
W99721.01.01	1	5	pag. 224
W99721.02.00	1	20	pag. 207
W99721.02.00	1	20	pag. 223
W99721.02.00	1	20	pag. 206
W99721.02.00	1	20	pag. 224
W99721.02.01	1	20	pag. 206
W99721.02.01	1	20	pag. 207
W99721.02.01	1	20	pag. 223
W99721.02.01	1	20	pag. 224
W99721.03.00	1	5	pag. 207
W99721.03.00	1	5	pag. 224
W99721.05.01	1	5	pag. 207
W99721.05.01	1	5	pag. 224
W99721.05.02	1	5	pag. 207
W99721.05.02	1	5	pag. 224
W99721.10.00	1	5	pag. 206
W99721.10.00	1	5	pag. 223
W99721.11.00	1	5	pag. 206
W99721.11.00	1	5	pag. 223
W99721.12.01	1	5	pag. 206
W99721.12.01	1	5	pag. 223
W99721.12.02	1	5	pag. 206
W99721.12.02	1	5	pag. 223
W99800.00.10	5	5	pag. 197
W99800.00.11	5	5	pag. 197
W99800.00.15	5	5	pag. 197
W99800.00.15	5	5	pag. 219
W99800.00.16	5	5	pag. 197
W99800.00.16	5	5	pag. 219

W99800.00.17	20	20	pag. 198
W99800.00.18	20	20	pag. 198
W99801.00.10	5	5	pag. 197
W99801.00.11	5	5	pag. 197
W99801.00.15	5	5	pag. 197
W99801.00.15	5	5	pag. 219
W99801.00.16	5	5	pag. 197
W99801.00.16	5	5	pag. 219
W99900.00.06	20	20	pag. 193
W99900.00.06	20	20	pag. 197