

Scope of Application

CONFIDENTIAL

Report: BMT/CNA/F15244

Comaglio Automatic Drop Down Threshold Seals

30 and 60 minutes fire resistance

Valid From: 19 November 2015

Valid Until: 19 November 2020

This document is confidential and remains the property of Chiltern International Fire Ltd. The legal validity of this report can only be claimed on the presentation of the complete report.



Contents

	Page No.
1 Introduction	3
2 Proposal.....	3
3 General Description of Products & Materials	3
4 Door Specification	6
5 Leaf Configurations	6
6 Conclusion	7
7 Declaration by the Applicant.....	7
8 Limitations.....	8
9 Validity	8
Appendix A - Test Evidence	9
Appendix B - Revisions and Amendments	10
Appendix C - Comaglio Automatic Drop Down seals - 30 minutes fire resistance	11
Appendix D - Comaglio Automatic Drop Down Seals - 60 minutes fire resistance	30

1 Introduction

This assessment has been commissioned by Comaglio S.R.L. and relates to the performance of a range of automatic drop down seals when fitted to proven 30 and 60 minute fire resisting timber doorsets. The assessment is an evaluation of the potential fire resistance performance, if the elements were to be tested in accordance with BS 476: Part 22: 1987.

2 Proposal

The proposal is to consider the use of the Comaglio automatic drop down seals with timber based fire resisting doorsets that have been previously tested at a UKAS accredited laboratory or assessed by BM TRADA.

This assessment establishes the limits with respect to automatic drop down seal type, the required intumescent protection and door leaf type, whilst maintaining the designated level of performance in accordance with BS 476: Part 22: 1987.

Unless otherwise stated in this scope of application report, the full construction requirements in the relevant manufacturer's global assessment or supporting test evidence must be referred to.

3 General Description of Products & Materials

3.1 Comaglio Automatic Drop Down Seals

The Comaglio drop down seals comprise the following components:

30 minutes fire resistance

- Aluminium bodies (carriers)
- Hexagonal brass push buttons
- Round nylon push buttons
- EPDM seals

60 minutes fire resistance

- Aluminium bodies (carriers)
- Hexagonal brass push buttons
- Round nylon push buttons
- Silicone seals

3.2 Comaglio Seal References

The following tables summarise the range of Comaglio drop down seals that are approved for 30 and 60 minute fire resisting applications:

30 Minutes fire resistance		
Series	Description	Drop down seal reference
Pressure	EPDM seal Hexagonal brass push button	1700 mini 1712/T017-H30 1712/T017 1700
	EPDM seal Hexagonal brass push button (pre-fitted screws)	1770 mini 1772-H30 1772 1770
Basic	EPDM seal Nylon push button	422S 420 mini 422 H30 422 420
	EDPM seal Round nylon push button (pre-fitted screws)	472S 470 mini 472 H30 472 470

Cross sectional diagrams of each of the seals approved for 30 minute fire resistance and the required fitting details and intumescent specification are given in appendix C of this assessment.

60 Minutes fire resistance		
Series	Description	Drop down seal reference
No Sound	Silicone seal	1703 ACU 1700 NS
	Hexagonal brass push button	422GT/1774ACU I-2015/2
		1705 ACU 1300NS
		1700 XNS
	Silicone seal	1773 ACU 1770NS
	Hexagonal brass push button	1775ACU I-2015
	(pre-fitted screws)	1770XNS 1370 NS
		472GT/1774ACU
	Silicone seal	423 ACU 420XNS
	Round nylon push button	424 ACU BS-2015/2
		425 ACU 220 NS
	Silicone seal	473 ACU 470 XNS
Round nylon push button	474 ACU BS-2015	
(pre-fitted screws)	475 ACU 270 NS	
Pressure	Silicone seal	1712/T017-H30 1700
	Hexagonal brass push button	1712/T017 1700ACU
	Silicone seal	1772-H30 1770
	Hexagonal brass push button	1772 1770 ACU
	(pre-fitted screws)	
Basic	Silicone seal	422 H30
	Round nylon push button	422
		420
	Silicone seal	472 H30
	Round nylon push button	472
	(pre-fitted screws)	470
Special	Silicone seal	AE
	Hexagonal brass push button	
	(pre-fitted screws)	
	Silicone seal	AE bascul/avvolg
Round nylon push button	170/12	
(pre-fitted screws)	170/15	

Cross sectional diagrams of each of the seals approved for 60 minute fire resistance and the required fitting details and intumescent specification are given in appendix D of this assessment.

4 Door Specification

4.1 Door Type

The testing conducted on the Comaglio seals at 30 and 60 minutes has established that the seals can be fitted within timber based fire resisting doorsets without compromising the performance of the doorset.

Based on the door designs tested, the following timber based door types can be considered for use with the Comaglio automatic drop down seals:

- Graduated density chipboard and three layered particleboard door blanks.
- Softwood or hardwood laminated door constructions with tested or assessed cellulosic facings.
- Stile and rail constructions with flax, chipboard or timber based cores.
- Stile and rail constructions with non-combustible sub-facings.

4.2 Limitations

It is a condition of this assessment that the door design being fitted with the Comaglio automatic drop down seals meets the following criteria:

1. The door design must be one of the constructions listed in section 4.1 of this assessment
2. The door design must have demonstrated a minimum of 30 or 60 minutes fire resistance to BS 476: Part 22: 1987, as appropriate
3. The door design must have been tested at a UKAS accredited laboratory or have been assessed for the relevant period of fire resistance by BM TRADA.
4. The door design must have approval for use with automatic drop down seals rebated into the bottom of the door leaf
5. If the supporting test evidence or assessment for the door design specifies intumescent protection around the body of the drop down seal, it must be fitted as appropriate.
6. All construction details for the doorset must comply with the relevant global assessment or supporting test evidence, unless otherwise stated herein

5 Leaf Configurations

Based on the test evidence listed in appendix A, this assessment covers the following doorset configurations when fitted with the Comaglio automatic drop downs seals:

Abbreviation	Description
LSASD & ULSASD	Latched & unlatched, single acting, single doorset

Note:

The approved configuration given in the supporting test evidence or assessment documentation for the doorset must be checked. If the door design is only approved for latched configurations, the supporting test/assessment evidence for the door takes precedence.

6 Conclusion

If the Comaglio range of automatic drop down seals as referenced in this assessment, were to be tested as part of a complete doorset design compliant with the specification detailed herein, in accordance with BS 476: Part 22: 1987, it is our opinion that they would contribute to providing a minimum of 30 or 60 minutes integrity and insulation performance, as applicable, subject to the provisos stated herein.

7 Declaration by the Applicant

- 1) We the undersigned confirm that we have read and comply with obligations placed on us by FTSG Resolution No. 82: 2001.
- 2) We confirm that the component or element of structure, which is the subject of this assessment, has not to our knowledge been subjected to a fire test to the Standard against which this assessment is being made.
- 3) We agree to withdraw this assessment from circulation should the component or element of structure be the subject of a fire test to the Standard against which this assessment is being made.
- 4) We are not aware of any information that could adversely affect the conclusions of this assessment.
- 5) If we subsequently become aware of any such information we agree to ask the assessing authority to withdraw the assessment.

Signed:

Name:

For and on behalf of: **Comaglio S.R.L.**



8 Limitations

The following limitations apply to this assessment:

- 1) This assessment addresses itself solely to the elements and subjects discussed and does not cover any other criteria. All other details not specifically referred to should remain as tested or assessed.
- 2) This assessment is issued on the basis of test data and information to hand at the time of issue. If contradictory evidence becomes available, BM TRADA reserves the right to withdraw the assessment unconditionally but not retrospectively.
- 3) This assessment has been carried out in accordance with Fire Test Study Group Resolution No. 82: 2001.
- 4) Opinions and interpretations expressed herein are outside the scope of UKAS accreditation.
- 5) This assessment relates only to those aspects of design, materials and construction that influence the performance of the element(s) under fire resistance test conditions. It does not purport to be a complete specification ensuring fitness for purpose and long-term serviceability. It is the responsibility of the client to ensure that the element conforms to recognised good practice in all other respects and that, with the incorporation of the guidance given in this assessment, the element is suitable for its intended purpose.

9 Validity

- 1) The assessment is initially valid for five years after which time it must be submitted to BM TRADA for technical review.
- 2) This assessment report is not valid unless it incorporates the declaration given in Section 7 duly signed by the applicant.

Signature:		
Name:	P N Barker	A M Winning
Title:	Principal Technical Officer	Senior Product Assessor

Appendix A

Performance Data

Primary Data

Assess./Report No.	Configuration	Leaf Sizes (mm)	Test Standard	Performance (mins)	
BMT/FEP/F13292 (Door A – 470 drop seal Door B – 422S drop seal)	A: LSASD	2040 926 44	BS 476: Part 22: 1987	Integrity	33
				Insulation	33
	B: LSASD	2040 926 44		Integrity	31
				Insulation	31
BMT/FEP/F15130 (Door A – I 2015 drop seal Door B – 1370 NS drop seal)	A: ULSASD	2040 926 54	BS EN 1634-1	Integrity	55 ¹
				Insulation	55
	B: ULSASD	2040 926 54		Integrity	50 ¹
				Insulation	50

Notes:

1. Door A failed at the top corner of the door leaf and door B failed at the glazing. None of the failures observed prior to 60 minutes were associated with the drop down seals fitted to the doors and the test evidence has therefore been deemed suitable to support the Comaglio drop down seals with timber based fire resisting doorsets.

Appendix B
Revisions

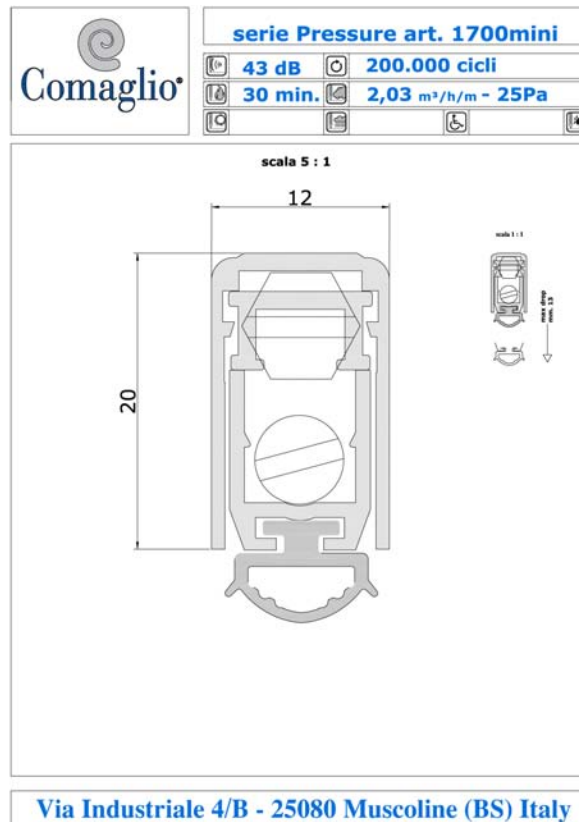
Rev.	BM TRADA Ref.	Date	Description

The legal validity of this report can only be claimed on presentation of the complete report

Appendix C

**Comaglio Automatic Drop Down Seals
for use with
30 Minute Fire Resisting Doorsets**

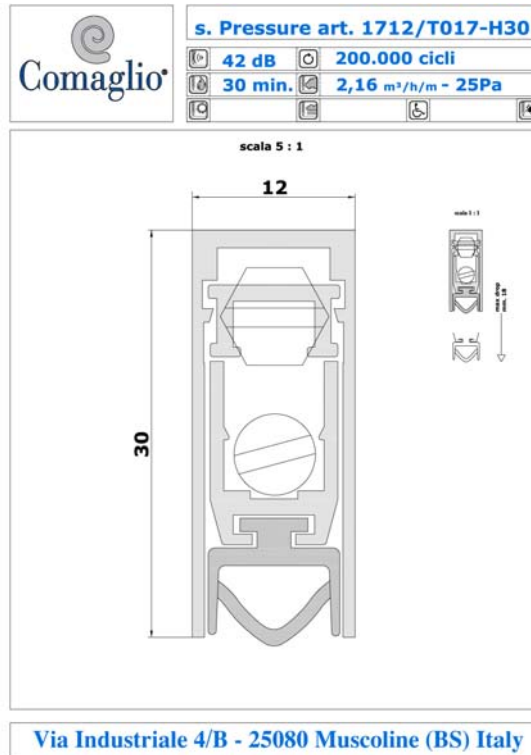
Product reference:	1700 Mini
Series:	Pressure
Description:	EPDM Seal with brass push button



Scope:	Approved for use with 30 minute fire resisting timber based doorsets meeting the criteria in section 4 of assessment referenced: BMT/CNA/F15244
Minimum door leaf thickness:	44mm
Fitting requirements:	The drop down seal is to be rebated centrally in the bottom of the door leaf
Intumescent Protection:	No additional intumescent protection is required for the drop down seal. Based on the test evidence, the drop down seal may fully interrupt the perimeter intumescent seal in the leaf edge for door designs that are approved for intumescent seals fitted in the leaf edge.
Supporting test evidence:	BMT/FEP/F13292

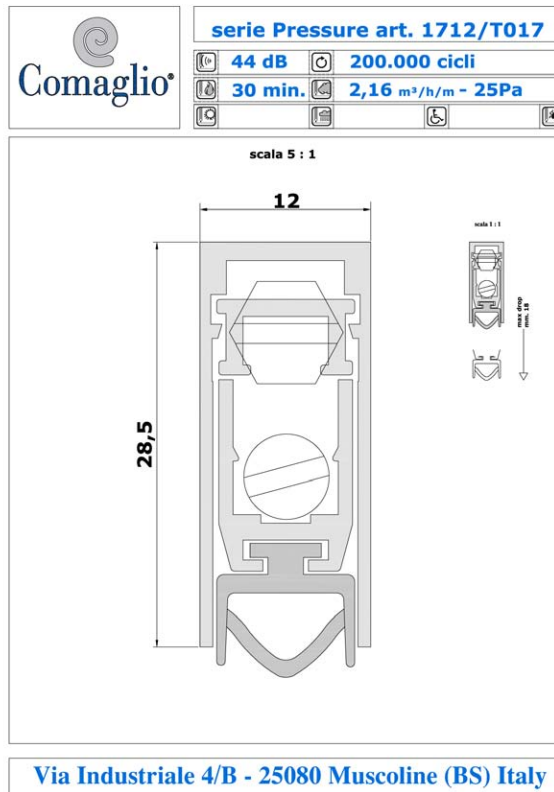
The legal validity of this report can only be claimed on presentation of the complete report

Product reference:	1712/T017-H30
Series:	Pressure
Description:	EPDM Seal with brass push button



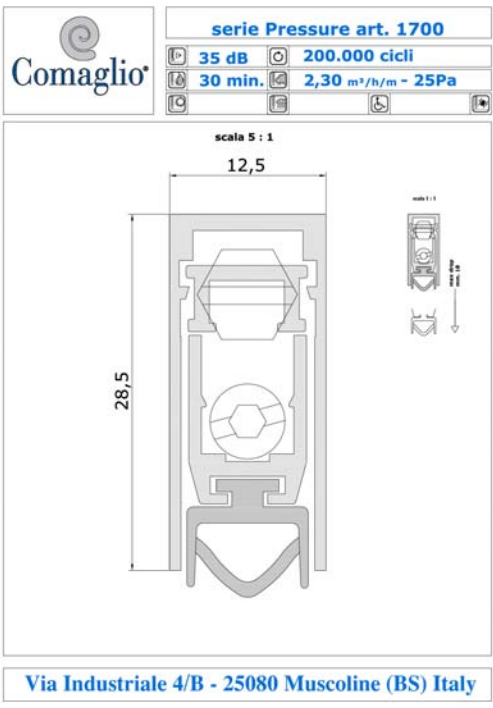
Scope:	Approved for use with 30 minute fire resisting timber based doorsets meeting the criteria in section 4 of assessment referenced: BMT/CNA/F15244
Minimum door leaf thickness:	44mm
Fitting requirements:	The drop down seal is to be rebated centrally in the bottom of the door leaf
Intumescent Protection:	No additional intumescent protection is required for the drop down seal. Based on the test evidence, the drop down seal may fully interrupt the perimeter intumescent seal in the leaf edge for door designs that are approved for intumescent seals fitted in the leaf edge.
Supporting test evidence:	BMT/FEP/F13292

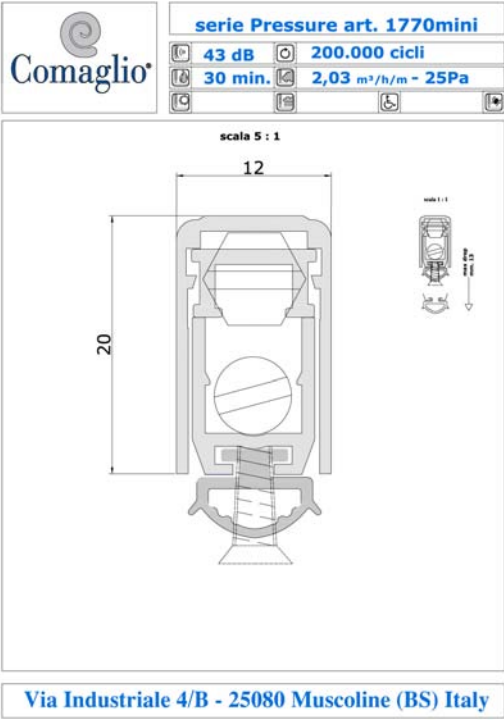
Product reference:	1712/T017
Series:	Pressure
Description:	EPDM Seal with brass push button



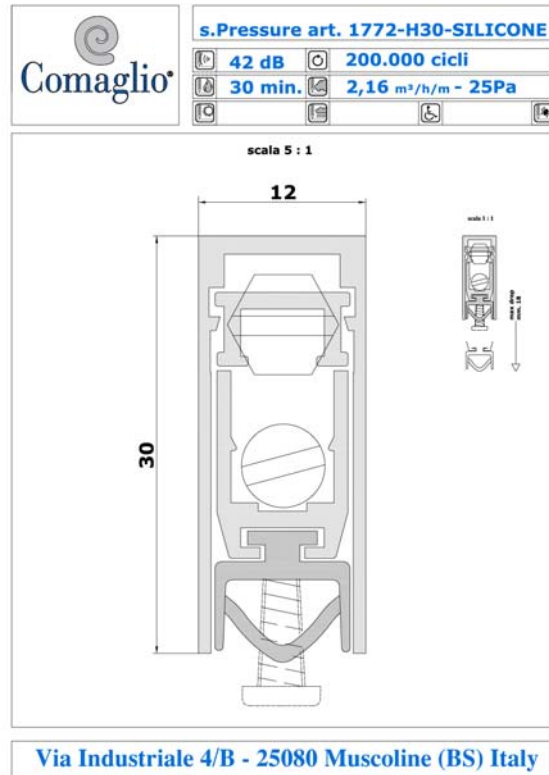
Scope:	Approved for use with 30 minute fire resisting timber based doorsets meeting the criteria in section 4 of assessment referenced: BMT/CNA/F15244
Minimum door leaf thickness:	44mm
Fitting requirements:	The drop down seal is to be rebated centrally in the bottom of the door leaf
Intumescent Protection:	No additional intumescent protection is required for the drop down seal. Based on the test evidence, the drop down seal may fully interrupt the perimeter intumescent seal in the leaf edge for door designs that are approved for intumescent seals fitted in the leaf edge.
Supporting test evidence:	BMT/FEP/F13292

The legal validity of this report can only be claimed on presentation of the complete report

Product reference:	1700
Series:	Pressure
Description:	EPDM Seal with brass push button
	
Scope:	Approved for use with 30 minute fire resisting timber based doorsets meeting the criteria in section 4 of assessment referenced: BMT/CNA/F15244
Minimum door leaf thickness:	44mm
Fitting requirements:	The drop down seal is to be rebated centrally in the bottom of the door leaf
Intumescent Protection:	No additional intumescent protection is required for the drop down seal. Based on the test evidence, the drop down seal may fully interrupt the perimeter intumescent seal in the leaf edge for door designs that are approved for intumescent seals fitted in the leaf edge.
Supporting test evidence:	BMT/FEP/F13292

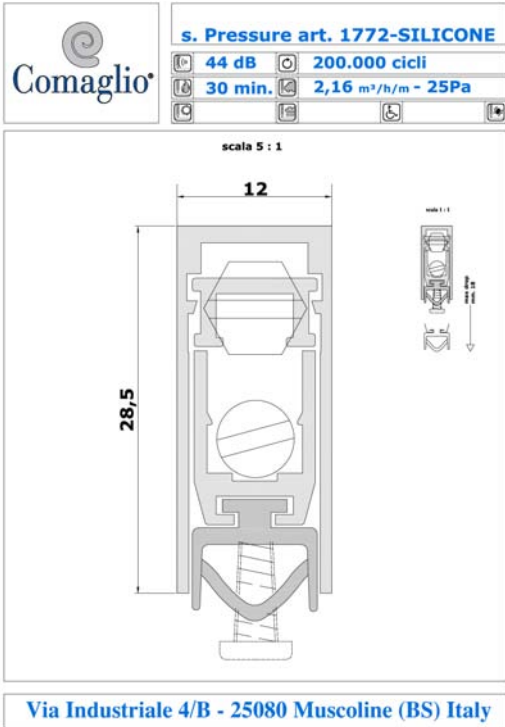
Product reference:	1770 Mini
Series:	Pressure
Description:	EPDM Seal with brass push button (pre-fitted screws)
	
Scope:	Approved for use with 30 minute fire resisting timber based doorsets meeting the criteria in section 4 of assessment referenced: BMT/CNA/F15244
Minimum door leaf thickness:	44mm
Fitting requirements:	The drop down seal is to be rebated centrally in the bottom of the door leaf
Intumescent Protection:	No additional intumescent protection is required for the drop down seal. Based on the test evidence, the drop down seal may fully interrupt the perimeter intumescent seal in the leaf edge for door designs that are approved for intumescent seals fitted in the leaf edge.
Supporting test evidence:	BMT/FEP/F13292

Product reference:	1772-H30
Series:	Pressure
Description:	EPDM Seal with brass push button (pre-fitted screws)

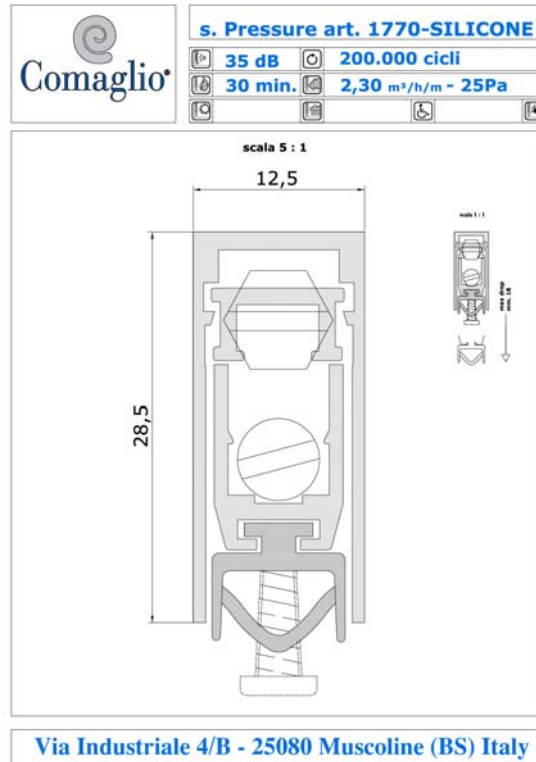


Scope:	Approved for use with 30 minute fire resisting timber based doorsets meeting the criteria in section 4 of assessment referenced: BMT/CNA/F15244
Minimum door leaf thickness:	44mm
Fitting requirements:	The drop down seal is to be rebated centrally in the bottom of the door leaf
Intumescent Protection:	No additional intumescent protection is required for the drop down seal. Based on the test evidence, the drop down seal may fully interrupt the perimeter intumescent seal in the leaf edge for door designs that are approved for intumescent seals fitted in the leaf edge.
Supporting test evidence:	BMT/FEP/F13292

The legal validity of this report can only be claimed on presentation of the complete report

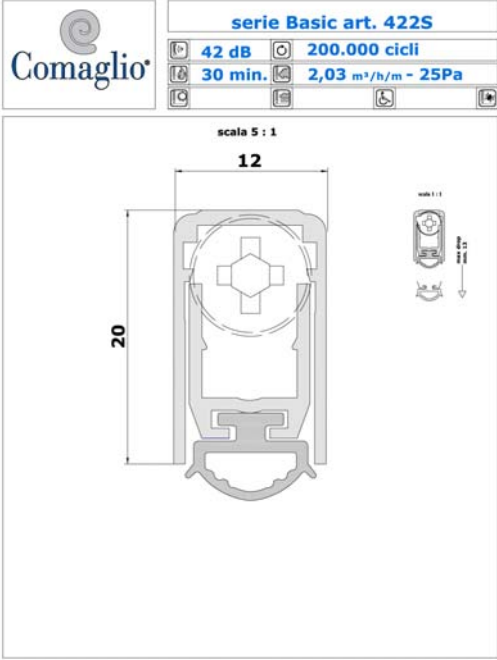
Product reference:	1772
Series:	Pressure
Description:	EPDM Seal with brass push button (pre-fitted screws)
	
Scope:	Approved for use with 30 minute fire resisting timber based doorsets meeting the criteria in section 4 of assessment referenced: BMT/CNA/F15244
Minimum door leaf thickness:	44mm
Fitting requirements:	The drop down seal is to be rebated centrally in the bottom of the door leaf
Intumescent Protection:	No additional intumescent protection is required for the drop down seal. Based on the test evidence, the drop down seal may fully interrupt the perimeter intumescent seal in the leaf edge for door designs that are approved for intumescent seals fitted in the leaf edge.
Supporting test evidence:	BMT/FEP/F13292

Product reference:	1770
Series:	Pressure
Description:	EPDM Seal with brass push button (pre-fitted screws)



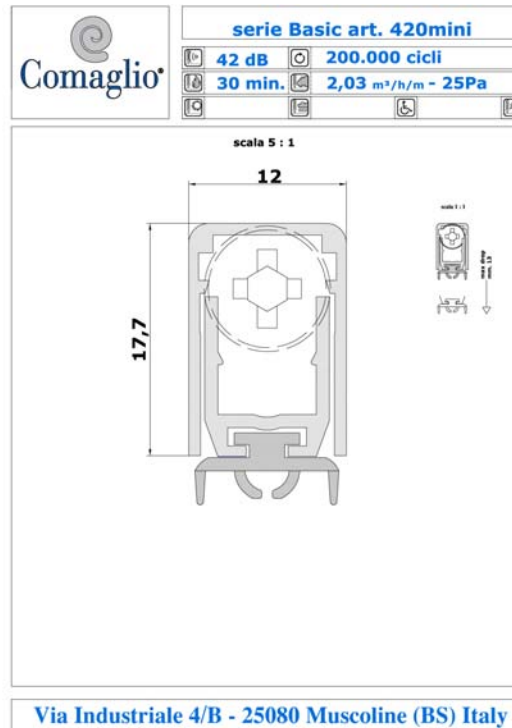
Scope:	Approved for use with 30 minute fire resisting timber based doorsets meeting the criteria in section 4 of assessment referenced: BMT/CNA/F15244
Minimum door leaf thickness:	44mm
Fitting requirements:	The drop down seal is to be rebated centrally in the bottom of the door leaf
Intumescent Protection:	No additional intumescent protection is required for the drop down seal. Based on the test evidence, the drop down seal may fully interrupt the perimeter intumescent seal in the leaf edge for door designs that are approved for intumescent seals fitted in the leaf edge.
Supporting test evidence:	BMT/FEP/F13292

The legal validity of this report can only be claimed on presentation of the complete report

Product reference:	422S
Series:	Basic
Description:	EPDM Seal with nylon push button
 <p>serie Basic art. 422S</p> <p>42 dB 200.000 cicli</p> <p>30 min. 2,03 m³/h/m - 25Pa</p> <p>scala 5 : 1</p> <p>12</p> <p>20</p> <p>Via Industriale 4/B - 25080 Muscoline (BS) Italy</p>	
Scope:	Approved for use with 30 minute fire resisting timber based doorsets meeting the criteria in section 4 of assessment referenced: BMT/CNA/F15244
Minimum door leaf thickness:	44mm
Fitting requirements:	The drop down seal is to be rebated centrally in the bottom of the door leaf
Intumescent Protection:	No additional intumescent protection is required for the drop down seal. Based on the test evidence, the drop down seal may fully interrupt the perimeter intumescent seal in the leaf edge for door designs that are approved for intumescent seals fitted in the leaf edge.
Supporting test evidence:	BMT/FEP/F13292

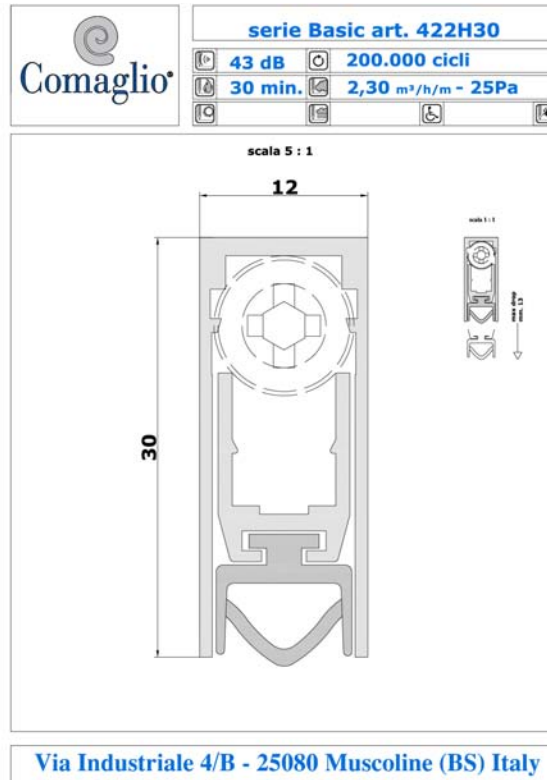
The legal validity of this report can only be claimed on presentation of the complete report

Product reference:	420 Mini
Series:	Basic
Description:	EPDM Seal with nylon push button



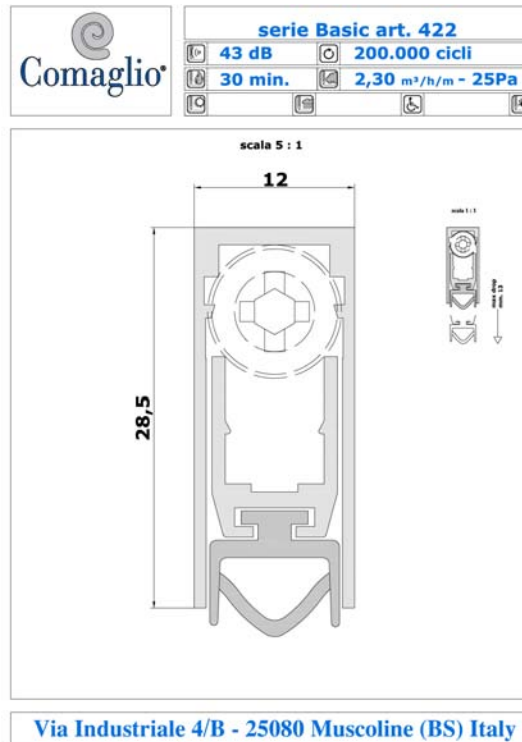
Scope:	Approved for use with 30 minute fire resisting timber based doorsets meeting the criteria in section 4 of assessment referenced: BMT/CNA/F15244
Minimum door leaf thickness:	44mm
Fitting requirements:	The drop down seal is to be rebated centrally in the bottom of the door leaf
Intumescent Protection:	No additional intumescent protection is required for the drop down seal. Based on the test evidence, the drop down seal may fully interrupt the perimeter intumescent seal in the leaf edge for door designs that are approved for intumescent seals fitted in the leaf edge.
Supporting test evidence:	BMT/FEP/F13292

Product reference:	422 H30
Series:	Basic
Description:	EPDM Seal with nylon push button



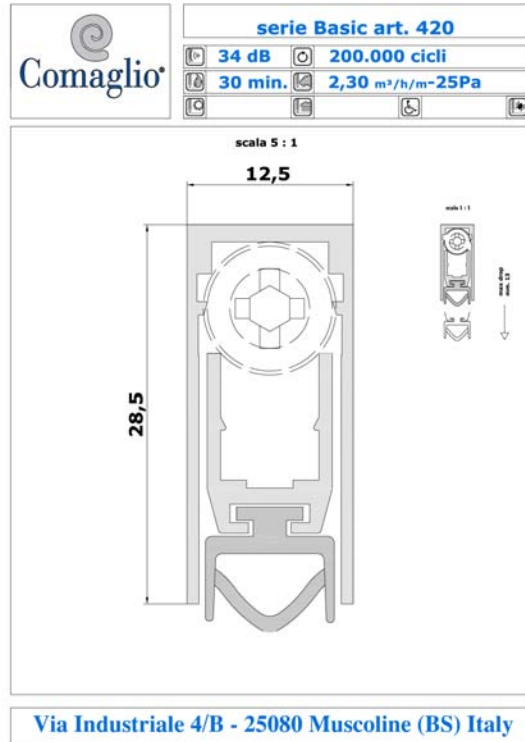
Scope:	Approved for use with 30 minute fire resisting timber based doorsets meeting the criteria in section 4 of assessment referenced: BMT/CNA/F15244
Minimum door leaf thickness:	44mm
Fitting requirements:	The drop down seal is to be rebated centrally in the bottom of the door leaf
Intumescent Protection:	No additional intumescent protection is required for the drop down seal. Based on the test evidence, the drop down seal may fully interrupt the perimeter intumescent seal in the leaf edge for door designs that are approved for intumescent seals fitted in the leaf edge.
Supporting test evidence:	BMT/FEP/F13292

Product reference:	422
Series:	Basic
Description:	EPDM Seal with nylon push button



Scope:	Approved for use with 30 minute fire resisting timber based doorsets meeting the criteria in section 4 of assessment referenced: BMT/CNA/F15244
Minimum door leaf thickness:	44mm
Fitting requirements:	The drop down seal is to be rebated centrally in the bottom of the door leaf
Intumescent Protection:	No additional intumescent protection is required for the drop down seal. Based on the test evidence, the drop down seal may fully interrupt the perimeter intumescent seal in the leaf edge for door designs that are approved for intumescent seals fitted in the leaf edge.
Supporting test evidence:	BMT/FEP/F13292

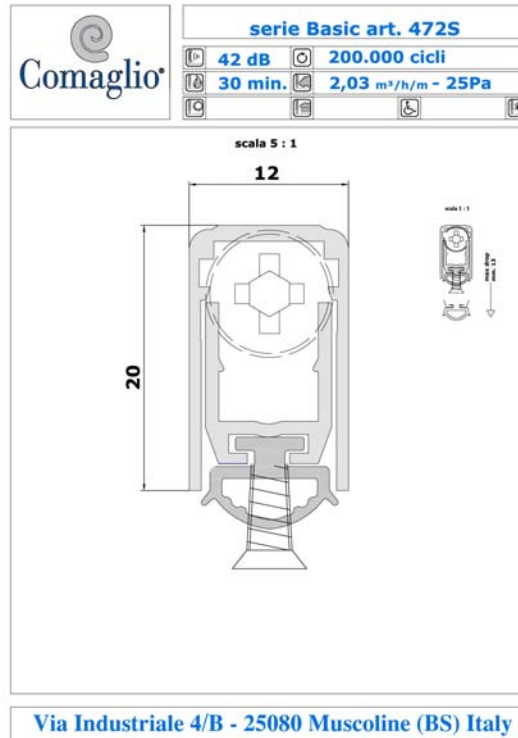
Product reference:	420
Series:	Basic
Description:	EPDM Seal with nylon push button



Scope:	Approved for use with 30 minute fire resisting timber based doorsets meeting the criteria in section 4 of assessment referenced: BMT/CNA/F15244
Minimum door leaf thickness:	44mm
Fitting requirements:	The drop down seal is to be rebated centrally in the bottom of the door leaf
Intumescent Protection:	No additional intumescent protection is required for the drop down seal. Based on the test evidence, the drop down seal may fully interrupt the perimeter intumescent seal in the leaf edge for door designs that are approved for intumescent seals fitted in the leaf edge.
Supporting test evidence:	BMT/FEP/F13292

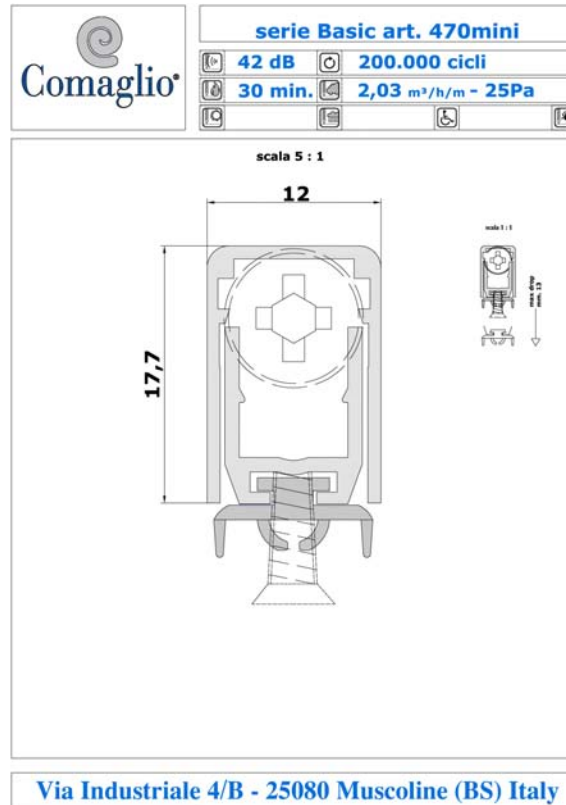
The legal validity of this report can only be claimed on presentation of the complete report

Product reference:	472S
Series:	Basic
Description:	EPDM Seal with nylon push button (pre-fitted screws)



Scope:	Approved for use with 30 minute fire resisting timber based doorsets meeting the criteria in section 4 of assessment referenced: BMT/CNA/F15244
Minimum door leaf thickness:	44mm
Fitting requirements:	The drop down seal is to be rebated centrally in the bottom of the door leaf
Intumescent Protection:	No additional intumescent protection is required for the drop down seal. Based on the test evidence, the drop down seal may fully interrupt the perimeter intumescent seal in the leaf edge for door designs that are approved for intumescent seals fitted in the leaf edge.
Supporting test evidence:	BMT/FEP/F13292

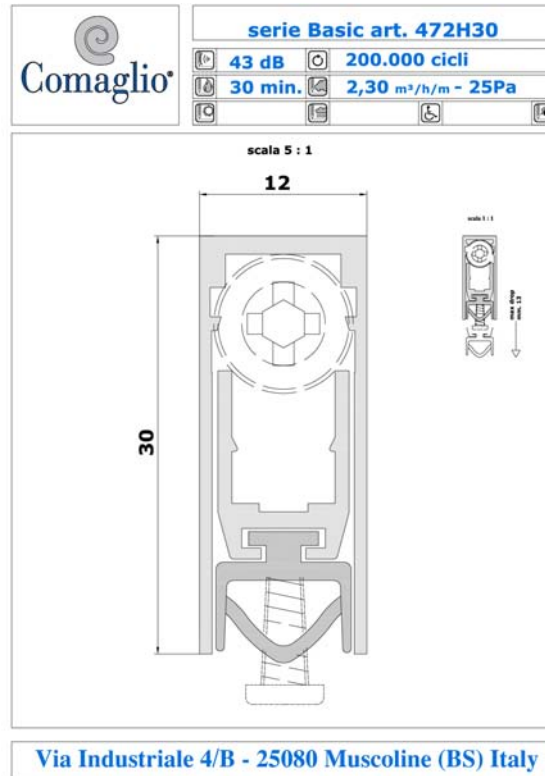
Product reference:	470 Mini
Series:	Basic
Description:	EPDM Seal with nylon push button (pre-fitted screws)



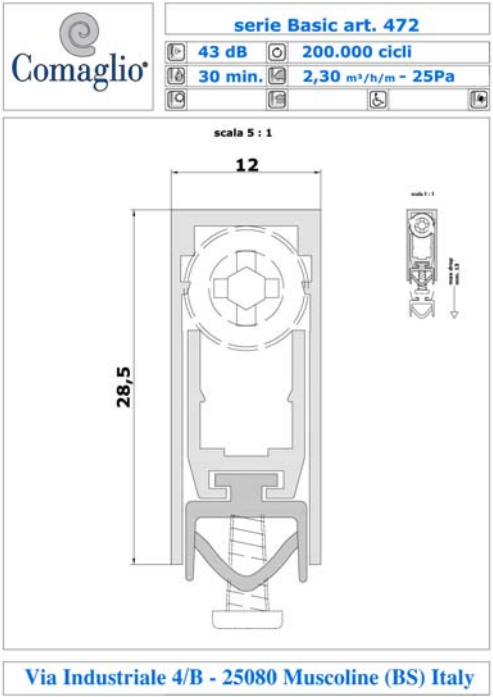
Scope:	Approved for use with 30 minute fire resisting timber based doorsets meeting the criteria in section 4 of assessment referenced: BMT/CNA/F15244
Minimum door leaf thickness:	44mm
Fitting requirements:	The drop down seal is to be rebated centrally in the bottom of the door leaf
Intumescent Protection:	No additional intumescent protection is required for the drop down seal. Based on the test evidence, the drop down seal may fully interrupt the perimeter intumescent seal in the leaf edge for door designs that are approved for intumescent seals fitted in the leaf edge.
Supporting test evidence:	BMT/FEP/F13292

The legal validity of this report can only be claimed on presentation of the complete report

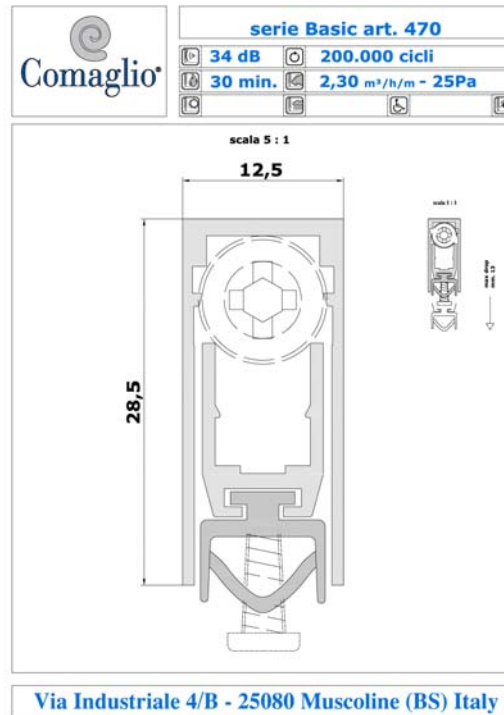
Product reference:	472 H30
Series:	Basic
Description:	EPDM Seal with nylon push button (pre-fitted screws)



Scope:	Approved for use with 30 minute fire resisting timber based doorsets meeting the criteria in section 4 of assessment referenced: BMT/CNA/F15244
Minimum door leaf thickness:	44mm
Fitting requirements:	The drop down seal is to be rebated centrally in the bottom of the door leaf
Intumescent Protection:	No additional intumescent protection is required for the drop down seal. Based on the test evidence, the drop down seal may fully interrupt the perimeter intumescent seal in the leaf edge for door designs that are approved for intumescent seals fitted in the leaf edge.
Supporting test evidence:	BMT/FEP/F13292

Product reference:	472
Series:	Basic
Description:	EPDM Seal with nylon push button (pre-fitted screws)
	
Scope:	Approved for use with 30 minute fire resisting timber based doorsets meeting the criteria in section 4 of assessment referenced: BMT/CNA/F15244
Minimum door leaf thickness:	44mm
Fitting requirements:	The drop down seal is to be rebated centrally in the bottom of the door leaf
Intumescent Protection:	No additional intumescent protection is required for the drop down seal. Based on the test evidence, the drop down seal may fully interrupt the perimeter intumescent seal in the leaf edge for door designs that are approved for intumescent seals fitted in the leaf edge.
Supporting test evidence:	BMT/FEP/F13292

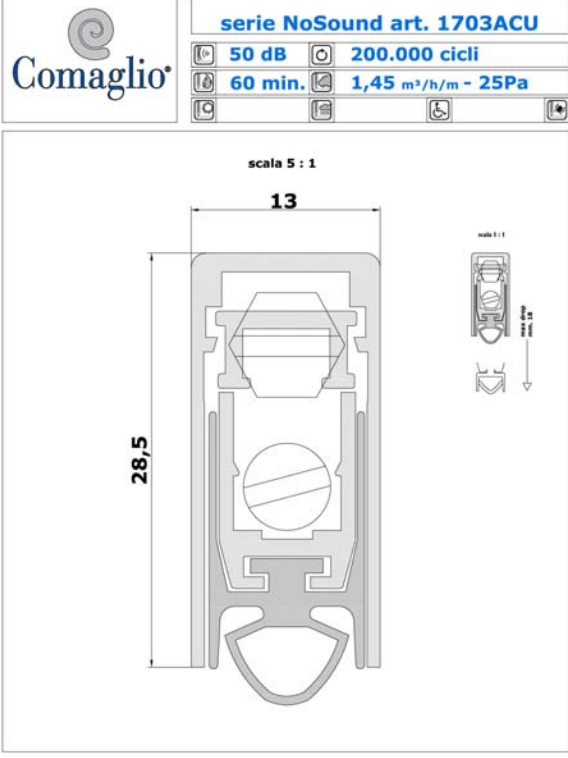
Product reference:	470
Series:	Basic
Description:	EPDM Seal with nylon push button (pre-fitted screws)



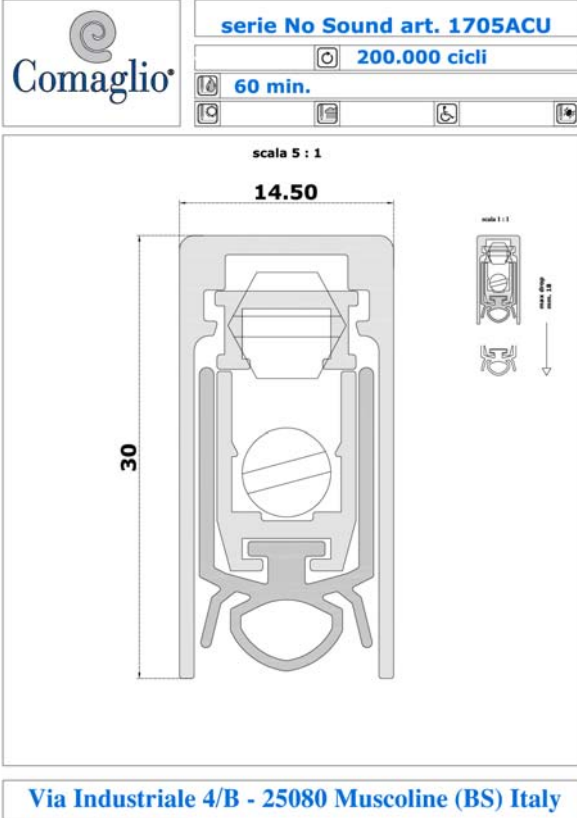
Scope:	Approved for use with 30 minute fire resisting timber based doorsets meeting the criteria in section 4 of assessment referenced: BMT/CNA/F15244
Minimum door leaf thickness:	44mm
Fitting requirements:	The drop down seal is to be rebated centrally in the bottom of the door leaf
Intumescent Protection:	No additional intumescent protection is required for the drop down seal. Based on the test evidence, the drop down seal may fully interrupt the perimeter intumescent seal in the leaf edge for door designs that are approved for intumescent seals fitted in the leaf edge.
Supporting test evidence:	BMT/FEP/F13292

Appendix D

**Comaglio Automatic Drop Down Seals
for use with
60 Minute Fire Resisting Doorsets**

Product reference:	1703 ACU
Series:	No Sound
Description:	Silicone seal with brass push button
	
<p>Via Industriale 4/B - 25080 Muscoline (BS) Italy</p>	
Scope:	Approved for use with 60 minute fire resisting timber based doorsets meeting the criteria in section 4 of assessment referenced: BMT/CNA/F15244
Minimum door leaf thickness:	54mm
Fitting requirements:	The drop down seal is to be rebated centrally in the bottom of the door leaf
Intumescent Protection:	10 x 2mm uncased STS graphite seals must be fitted either side of the drop down seal in the bottom of the door leaf. The perimeter intumescent specification for the door design must be fitted in the frame reveal and not the leaf edge i.e. it is not permitted for the drop seal to interrupt the perimeter intumescent seals around the leaf
Supporting test evidence:	BMT/FEP/F15130

The legal validity of this report can only be claimed on presentation of the complete report

Product reference:	1705 ACU
Series:	No Sound
Description:	Silicone seal with brass push button
 <p>Comaglio</p> <p>serie No Sound art. 1705ACU</p> <p>200.000 cicli</p> <p>60 min.</p> <p>scala 5 : 1</p> <p>14.50</p> <p>30</p> <p>Via Industriale 4/B - 25080 Muscoline (BS) Italy</p>	
Scope:	Approved for use with 60 minute fire resisting timber based doorsets meeting the criteria in section 4 of assessment referenced: BMT/CNA/F15244
Minimum door leaf thickness:	54mm
Fitting requirements:	The drop down seal is to be rebated centrally in the bottom of the door leaf
Intumescent Protection:	10 x 2mm uncased STS graphite seals must be fitted either side of the drop down seal in the bottom of the door leaf. The perimeter intumescent specification for the door design must be fitted in the frame reveal and not the leaf edge i.e. it is not permitted for the drop seal to interrupt the perimeter intumescent seals around the leaf
Supporting test evidence:	BMT/FEP/F15130

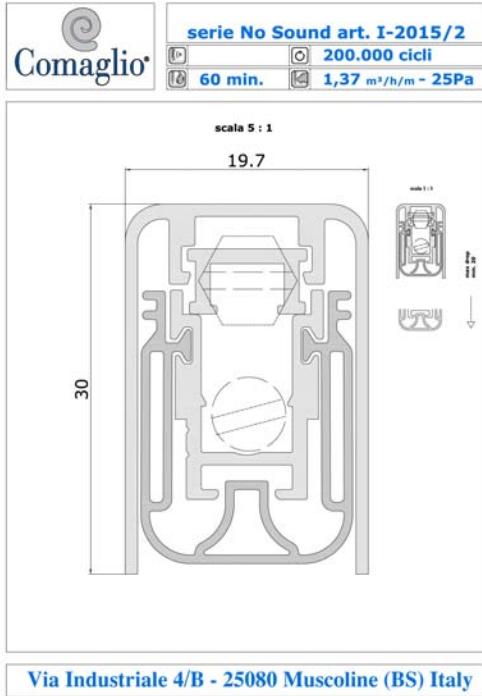
The legal validity of this report can only be claimed on presentation of the complete report

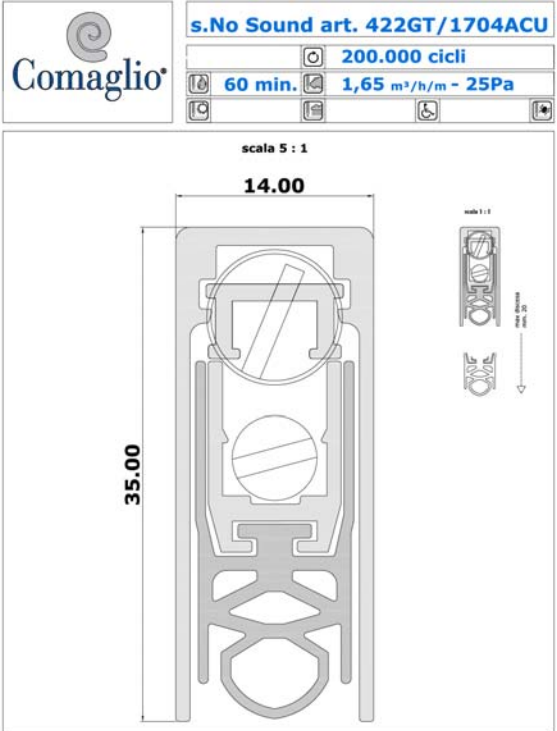
Product reference:	1700 XNS
Series:	No Sound
Description:	Silicone seal with brass push button
Scope:	Approved for use with 60 minute fire resisting timber based doorsets meeting the criteria in section 4 of assessment referenced: BMT/CNA/F15244
Minimum door leaf thickness:	54mm
Fitting requirements:	The drop down seal is to be rebated centrally in the bottom of the door leaf
Intumescent Protection:	10 x 2mm uncased STS graphite seals must be fitted either side of the drop down seal in the bottom of the door leaf. The perimeter intumescent specification for the door design must be fitted in the frame reveal and not the leaf edge i.e. it is not permitted for the drop seal to interrupt the perimeter intumescent seals around the leaf
Supporting test evidence:	BMT/FEP/F15130

The legal validity of this report can only be claimed on presentation of the complete report

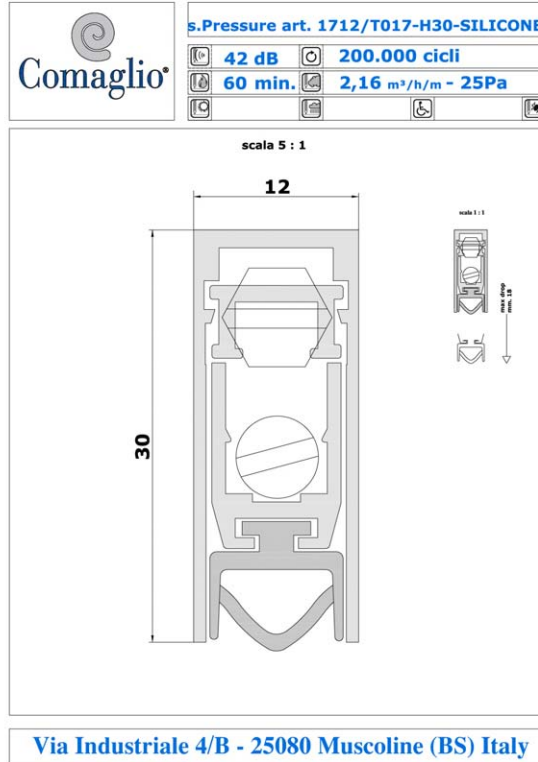
Product reference:	1700 NS
Series:	No Sound
Description:	Silicone seal with brass push button
Scope:	Approved for use with 60 minute fire resisting timber based doorsets meeting the criteria in section 4 of assessment referenced: BMT/CNA/F15244
Minimum door leaf thickness:	54mm
Fitting requirements:	The drop down seal is to be rebated centrally in the bottom of the door leaf
Intumescent Protection:	10 x 2mm uncased STS graphite seals must be fitted either side of the drop down seal in the bottom of the door leaf. The perimeter intumescent specification for the door design must be fitted in the frame reveal and not the leaf edge i.e. it is not permitted for the drop seal to interrupt the perimeter intumescent seals around the leaf
Supporting test evidence:	BMT/FEP/F15130

The legal validity of this report can only be claimed on presentation of the complete report

Product reference:	I-2015/2
Series:	No Sound
Description:	Silicone seal with brass push button
 <p>Comaglio serie No Sound art. I-2015/2 200.000 cicli 60 min. 1,37 m³/h/m - 25Pa</p> <p>scale 5 : 1 19.7 30</p> <p>Via Industriale 4/B - 25080 Muscoline (BS) Italy</p>	
Scope:	Approved for use with 60 minute fire resisting timber based doorsets meeting the criteria in section 4 of assessment referenced: BMT/CNA/F15244
Minimum door leaf thickness:	54mm
Fitting requirements:	The drop down seal is to be rebated centrally in the bottom of the door leaf
Intumescent Protection:	10 x 2mm uncased STS graphite seals must be fitted either side of the drop down seal in the bottom of the door leaf. The perimeter intumescent specification for the door design must be fitted in the frame reveal and not the leaf edge i.e. it is not permitted for the drop seal to interrupt the perimeter intumescent seals around the leaf
Supporting test evidence:	BMT/FEP/F15130

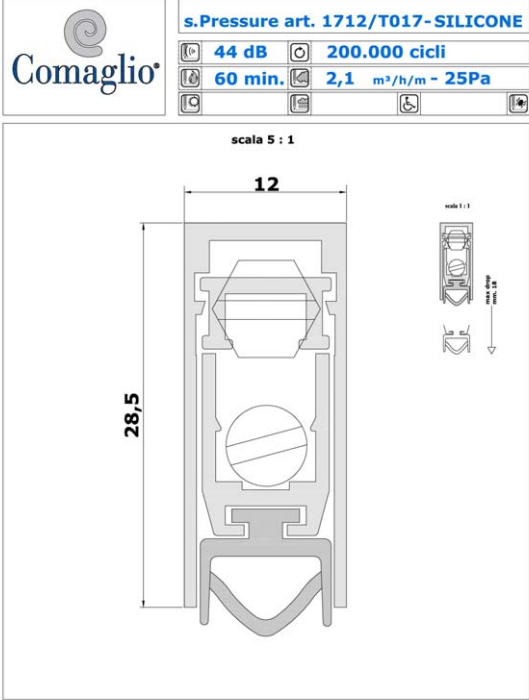
Product reference:	422GT/1704ACU
Series:	No Sound
Description:	Silicone seal with brass push button
 <p>Comaglio</p> <p>s.No Sound art. 422GT/1704ACU</p> <p>200.000 cicli</p> <p>60 min. 1,65 m³/h/m - 25Pa</p> <p>scala 5 : 1</p> <p>14.00</p> <p>35.00</p> <p>Via Industriale 4/B - 25080 Muscoline (BS) Italy</p>	
Scope:	Approved for use with 60 minute fire resisting timber based doorsets meeting the criteria in section 4 of assessment referenced: BMT/CNA/F15244
Minimum door leaf thickness:	54mm
Fitting requirements:	The drop down seal is to be rebated centrally in the bottom of the door leaf
Intumescent Protection:	10 x 2mm uncased STS graphite seals must be fitted either side of the drop down seal in the bottom of the door leaf. The perimeter intumescent specification for the door design must be fitted in the frame reveal and not the leaf edge i.e. it is not permitted for the drop seal to interrupt the perimeter intumescent seals around the leaf
Supporting test evidence:	BMT/FEP/F15130

Product reference:	1712/T017-H30
Series:	Pressure
Description:	Silicone seal with brass push button

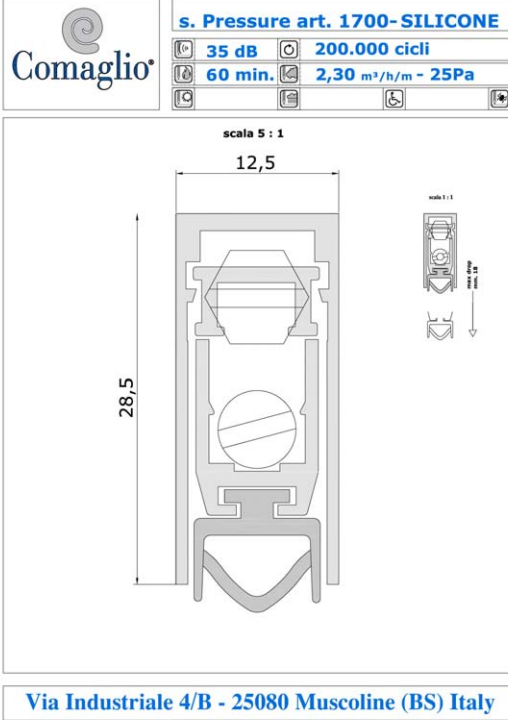


Scope:	Approved for use with 60 minute fire resisting timber based doorsets meeting the criteria in section 4 of assessment referenced: BMT/CNA/F15244
Minimum door leaf thickness:	54mm
Fitting requirements:	The drop down seal is to be rebated centrally in the bottom of the door leaf
Intumescent Protection:	10 x 2mm uncased STS graphite seals must be fitted either side of the drop down seal in the bottom of the door leaf. The perimeter intumescent specification for the door design must be fitted in the frame reveal and not the leaf edge i.e. it is not permitted for the drop seal to interrupt the perimeter intumescent seals around the leaf
Supporting test evidence:	BMT/FEP/F15130

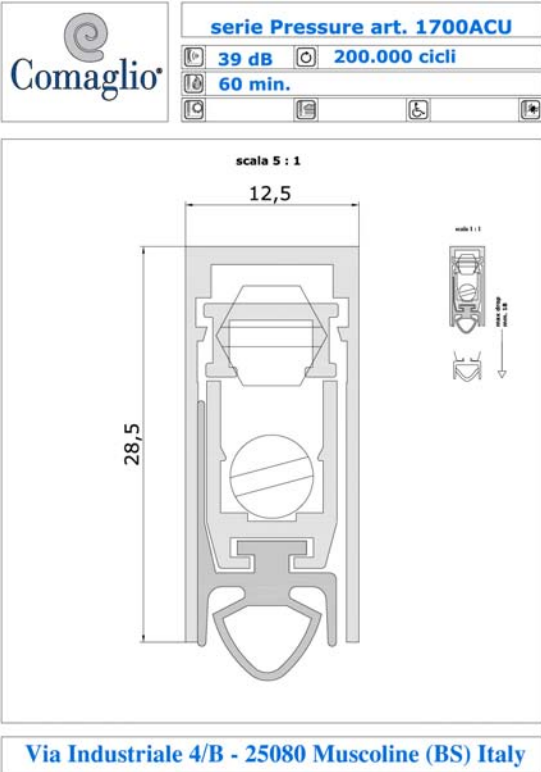
The legal validity of this report can only be claimed on presentation of the complete report

Product reference:	1712/T017
Series:	Pressure
Description:	Silicone seal with brass push button
 <p>Comaglio</p> <p>s. Pressure art. 1712/T017-SILICONE</p> <p>44 dB 200.000 cicli</p> <p>60 min. 2,1 m³/h/m - 25Pa</p> <p>scala 5 : 1</p> <p>12</p> <p>28,5</p> <p>Via Industriale 4/B - 25080 Muscoline (BS) Italy</p>	
Scope:	Approved for use with 60 minute fire resisting timber based doorsets meeting the criteria in section 4 of assessment referenced: BMT/CNA/F15244
Minimum door leaf thickness:	54mm
Fitting requirements:	The drop down seal is to be rebated centrally in the bottom of the door leaf
Intumescent Protection:	10 x 2mm uncased STS graphite seals must be fitted either side of the drop down seal in the bottom of the door leaf. The perimeter intumescent specification for the door design must be fitted in the frame reveal and not the leaf edge i.e. it is not permitted for the drop seal to interrupt the perimeter intumescent seals around the leaf
Supporting test evidence:	BMT/FEP/F15130

The legal validity of this report can only be claimed on presentation of the complete report

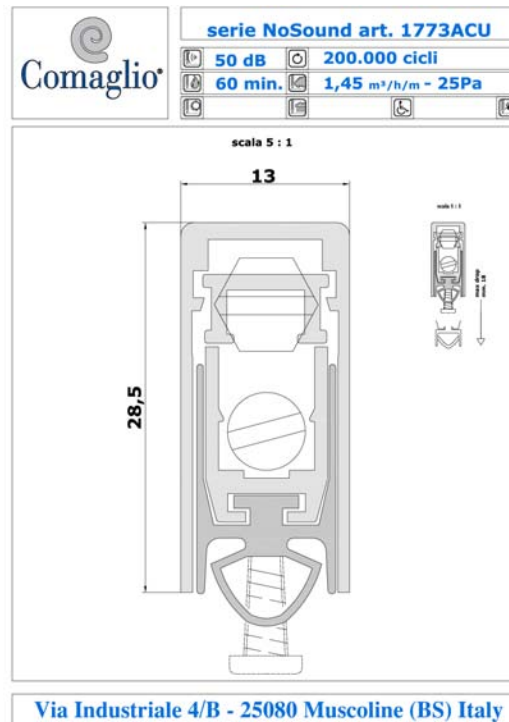
Product reference:	1700
Series:	Pressure
Description:	Silicone seal with brass push button
 <p>Comaglio</p> <p>s. Pressure art. 1700-SILICONE</p> <p>35 dB 200.000 cicli</p> <p>60 min. 2,30 m³/h/m - 25Pa</p> <p>scale 5 : 1</p> <p>12,5</p> <p>28,5</p> <p>Via Industriale 4/B - 25080 Muscoline (BS) Italy</p>	
Scope:	Approved for use with 60 minute fire resisting timber based doorsets meeting the criteria in section 4 of assessment referenced: BMT/CNA/F15244
Minimum door leaf thickness:	54mm
Fitting requirements:	The drop down seal is to be rebated centrally in the bottom of the door leaf
Intumescent Protection:	10 x 2mm uncased STS graphite seals must be fitted either side of the drop down seal in the bottom of the door leaf. The perimeter intumescent specification for the door design must be fitted in the frame reveal and not the leaf edge i.e. it is not permitted for the drop seal to interrupt the perimeter intumescent seals around the leaf
Supporting test evidence:	BMT/FEP/F15130

The legal validity of this report can only be claimed on presentation of the complete report

Product reference:	1700 ACU
Series:	Pressure
Description:	Silicone seal with brass push button
 <p>Comaglio</p> <p>serie Pressure art. 1700ACU</p> <p>39 dB 200.000 cicli</p> <p>60 min.</p> <p>scale 5 : 1</p> <p>12,5</p> <p>28,5</p> <p>Via Industriale 4/B - 25080 Muscoline (BS) Italy</p>	
Scope:	Approved for use with 60 minute fire resisting timber based doorsets meeting the criteria in section 4 of assessment referenced: BMT/CNA/F15244
Minimum door leaf thickness:	54mm
Fitting requirements:	The drop down seal is to be rebated centrally in the bottom of the door leaf
Intumescent Protection:	10 x 2mm uncased STS graphite seals must be fitted either side of the drop down seal in the bottom of the door leaf. The perimeter intumescent specification for the door design must be fitted in the frame reveal and not the leaf edge i.e. it is not permitted for the drop seal to interrupt the perimeter intumescent seals around the leaf
Supporting test evidence:	BMT/FEP/F15130

The legal validity of this report can only be claimed on presentation of the complete report

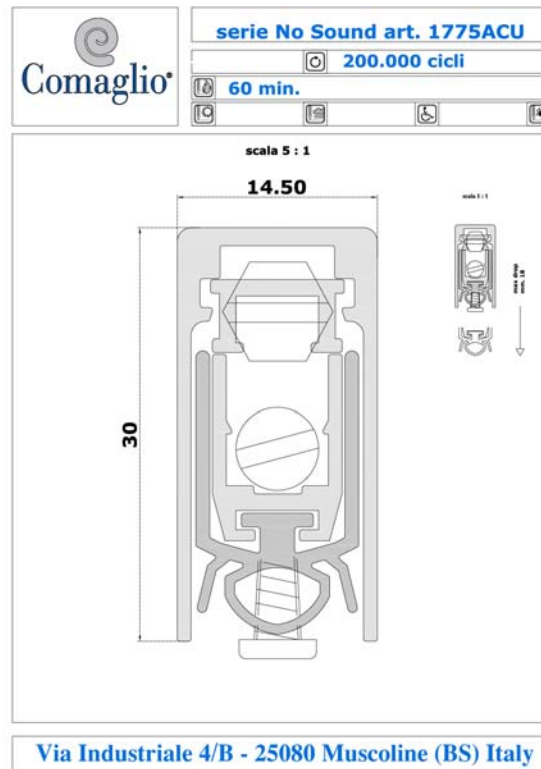
Product reference:	1773 ACU
Series:	No Sound
Description:	Silicone seal with brass push button (pre-fitted screws)



Scope:	Approved for use with 60 minute fire resisting timber based doorsets meeting the criteria in section 4 of assessment referenced: BMT/CNA/F15244
Minimum door leaf thickness:	54mm
Fitting requirements:	The drop down seal is to be rebated centrally in the bottom of the door leaf
Intumescent Protection:	10 x 2mm uncased STS graphite seals must be fitted either side of the drop down seal in the bottom of the door leaf. The perimeter intumescent specification for the door design must be fitted in the frame reveal and not the leaf edge i.e. it is not permitted for the drop seal to interrupt the perimeter intumescent seals around the leaf
Supporting test evidence:	BMT/FEP/F15130

The legal validity of this report can only be claimed on presentation of the complete report

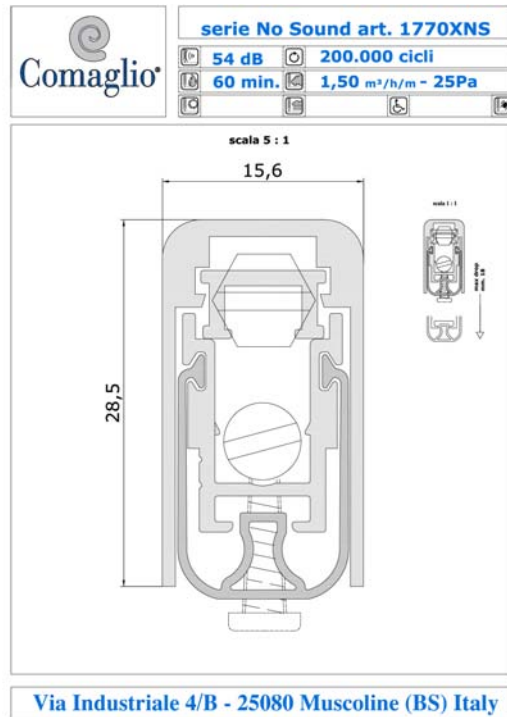
Product reference:	1775 ACU
Series:	No Sound
Description:	Silicone seal with brass push button (pre-fitted screws)



Scope:	Approved for use with 60 minute fire resisting timber based doorsets meeting the criteria in section 4 of assessment referenced: BMT/CNA/F15244
Minimum door leaf thickness:	54mm
Fitting requirements:	The drop down seal is to be rebated centrally in the bottom of the door leaf
Intumescent Protection:	10 x 2mm uncased STS graphite seals must be fitted either side of the drop down seal in the bottom of the door leaf. The perimeter intumescent specification for the door design must be fitted in the frame reveal and not the leaf edge i.e. it is not permitted for the drop seal to interrupt the perimeter intumescent seals around the leaf
Supporting test evidence:	BMT/FEP/F15130

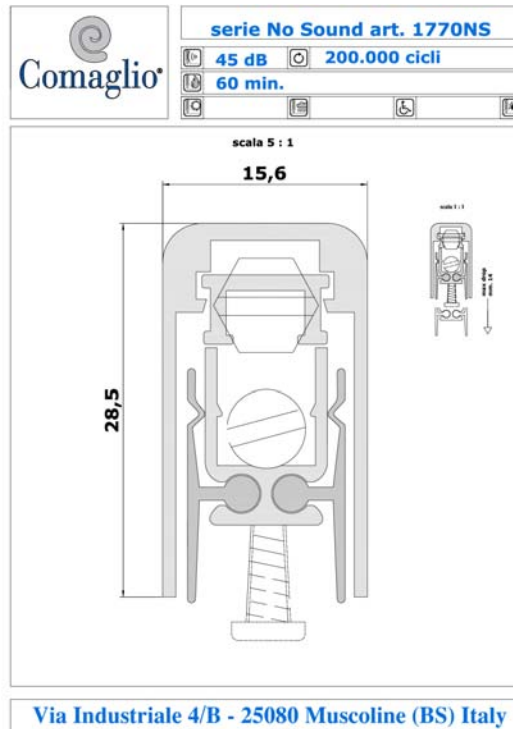
The legal validity of this report can only be claimed on presentation of the complete report

Product reference:	1770 XNS
Series:	No Sound
Description:	Silicone seal with brass push button (pre-fitted screws)

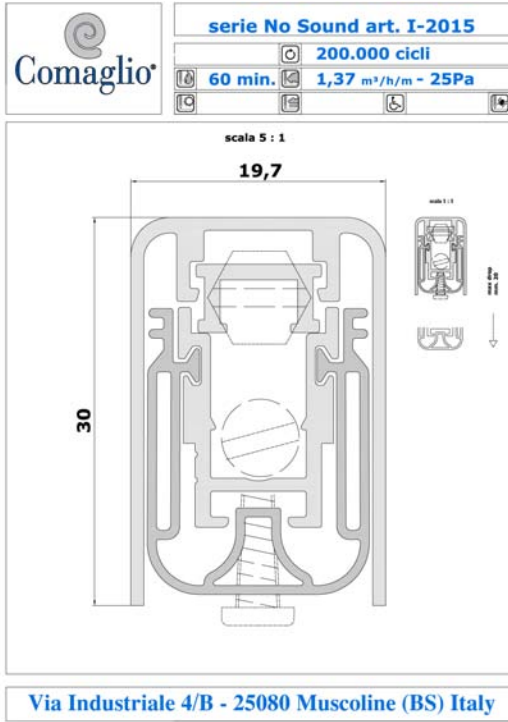


Scope:	Approved for use with 60 minute fire resisting timber based doorsets meeting the criteria in section 4 of assessment referenced: BMT/CNA/F15244
Minimum door leaf thickness:	54mm
Fitting requirements:	The drop down seal is to be rebated centrally in the bottom of the door leaf
Intumescent Protection:	10 x 2mm uncased STS graphite seals must be fitted either side of the drop down seal in the bottom of the door leaf. The perimeter intumescent specification for the door design must be fitted in the frame reveal and not the leaf edge i.e. it is not permitted for the drop seal to interrupt the perimeter intumescent seals around the leaf
Supporting test evidence:	BMT/FEP/F15130

Product reference:	1770 NS
Series:	No Sound
Description:	Silicone seal with brass push button (pre-fitted screws)

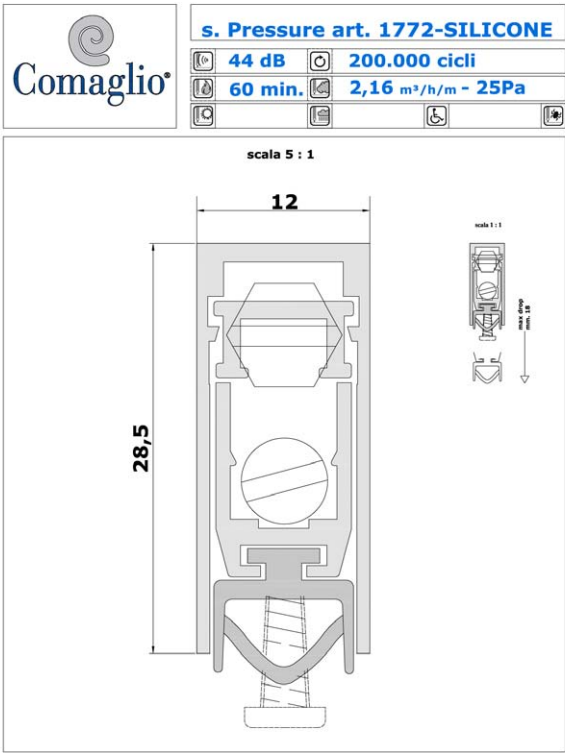


Scope:	Approved for use with 60 minute fire resisting timber based doorsets meeting the criteria in section 4 of assessment referenced: BMT/CNA/F15244
Minimum door leaf thickness:	54mm
Fitting requirements:	The drop down seal is to be rebated centrally in the bottom of the door leaf
Intumescent Protection:	10 x 2mm uncased STS graphite seals must be fitted either side of the drop down seal in the bottom of the door leaf. The perimeter intumescent specification for the door design must be fitted in the frame reveal and not the leaf edge i.e. it is not permitted for the drop seal to interrupt the perimeter intumescent seals around the leaf
Supporting test evidence:	BMT/FEP/F15130

Product reference:	I-2015
Series:	No Sound
Description:	Silicone seal with brass push button (pre-fitted screws)
	
Scope:	Approved for use with 60 minute fire resisting timber based doorsets meeting the criteria in section 4 of assessment referenced: BMT/CNA/F15244
Minimum door leaf thickness:	54mm
Fitting requirements:	The drop down seal is to be rebated centrally in the bottom of the door leaf
Intumescent Protection:	10 x 2mm uncased STS graphite seals must be fitted either side of the drop down seal in the bottom of the door leaf. The perimeter intumescent specification for the door design must be fitted in the frame reveal and not the leaf edge i.e. it is not permitted for the drop seal to interrupt the perimeter intumescent seals around the leaf
Supporting test evidence:	BMT/FEP/F15130

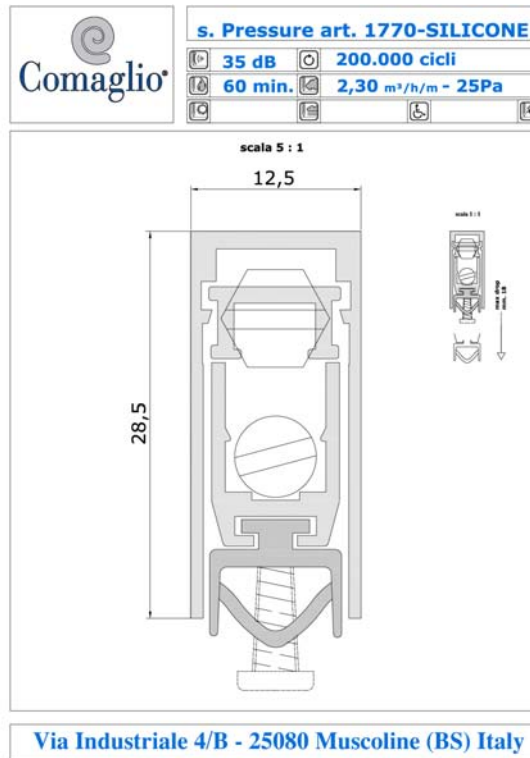
Product reference:	1772-H30
Series:	Pressure
Description:	Silicone seal with brass push button (pre-fitted screws)
Scope:	Approved for use with 60 minute fire resisting timber based doorsets meeting the criteria in section 4 of assessment referenced: BMT/CNA/F15244
Minimum door leaf thickness:	54mm
Fitting requirements:	The drop down seal is to be rebated centrally in the bottom of the door leaf
Intumescent Protection:	10 x 2mm uncased STS graphite seals must be fitted either side of the drop down seal in the bottom of the door leaf. The perimeter intumescent specification for the door design must be fitted in the frame reveal and not the leaf edge i.e. it is not permitted for the drop seal to interrupt the perimeter intumescent seals around the leaf
Supporting test evidence:	BMT/FEP/F15130

The legal validity of this report can only be claimed on presentation of the complete report

Product reference:	1772
Series:	Pressure
Description:	Silicone seal with brass push button (pre-fitted screws)
 <p>s. Pressure art. 1772-SILICONE</p> <p>44 dB 200.000 cicli</p> <p>60 min. 2,16 m³/h/m - 25Pa</p> <p>scala 5 : 1</p> <p>12</p> <p>28,5</p> <p>scala 1 : 1</p> <p>Via Industriale 4/B - 25080 Muscoline (BS) Italy</p>	
Scope:	Approved for use with 60 minute fire resisting timber based doorsets meeting the criteria in section 4 of assessment referenced: BMT/CNA/F15244
Minimum door leaf thickness:	54mm
Fitting requirements:	The drop down seal is to be rebated centrally in the bottom of the door leaf
Intumescent Protection:	10 x 2mm uncased STS graphite seals must be fitted either side of the drop down seal in the bottom of the door leaf. The perimeter intumescent specification for the door design must be fitted in the frame reveal and not the leaf edge i.e. it is not permitted for the drop seal to interrupt the perimeter intumescent seals around the leaf
Supporting test evidence:	BMT/FEP/F15130

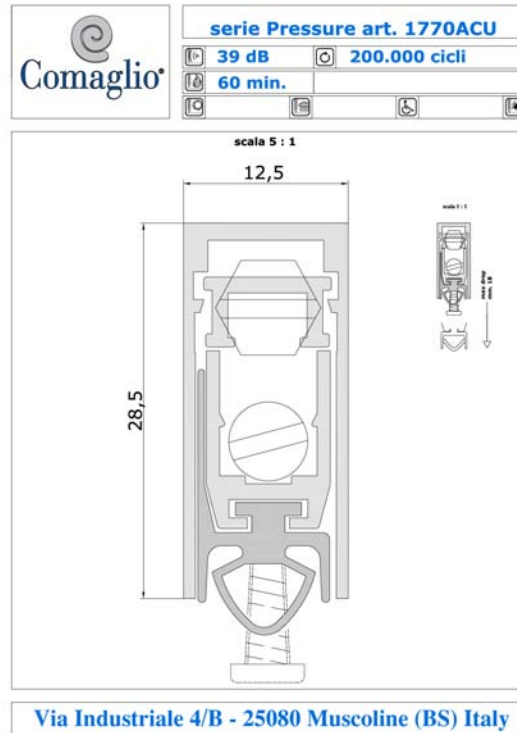
The legal validity of this report can only be claimed on presentation of the complete report

Product reference:	1770
Series:	Pressure
Description:	Silicone seal with brass push button (pre-fitted screws)



Scope:	Approved for use with 60 minute fire resisting timber based doorsets meeting the criteria in section 4 of assessment referenced: BMT/CNA/F15244
Minimum door leaf thickness:	54mm
Fitting requirements:	The drop down seal is to be rebated centrally in the bottom of the door leaf
Intumescent Protection:	10 x 2mm uncased STS graphite seals must be fitted either side of the drop down seal in the bottom of the door leaf. The perimeter intumescent specification for the door design must be fitted in the frame reveal and not the leaf edge i.e. it is not permitted for the drop seal to interrupt the perimeter intumescent seals around the leaf
Supporting test evidence:	BMT/FEP/F15130

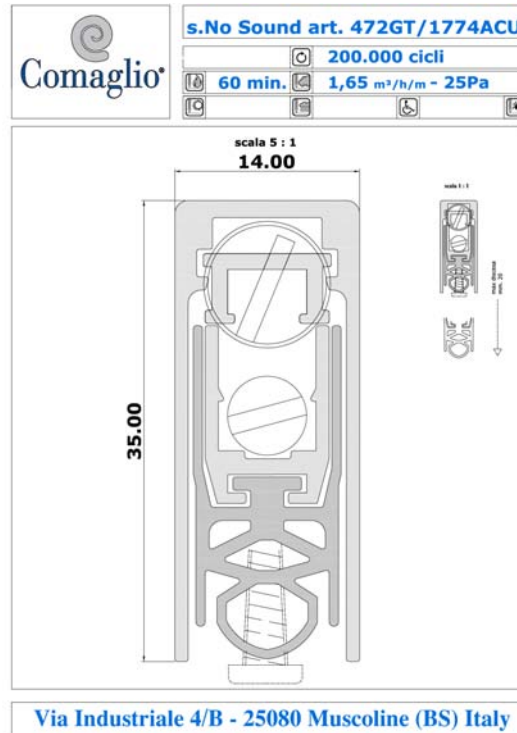
Product reference:	1770-ACU
Series:	Pressure
Description:	Silicone seal with brass push button (pre-fitted screws)



Scope:	Approved for use with 60 minute fire resisting timber based doorsets meeting the criteria in section 4 of assessment referenced: BMT/CNA/F15244
Minimum door leaf thickness:	54mm
Fitting requirements:	The drop down seal is to be rebated centrally in the bottom of the door leaf
Intumescent Protection:	10 x 2mm uncased STS graphite seals must be fitted either side of the drop down seal in the bottom of the door leaf. The perimeter intumescent specification for the door design must be fitted in the frame reveal and not the leaf edge i.e. it is not permitted for the drop seal to interrupt the perimeter intumescent seals around the leaf
Supporting test evidence:	BMT/FEP/F15130

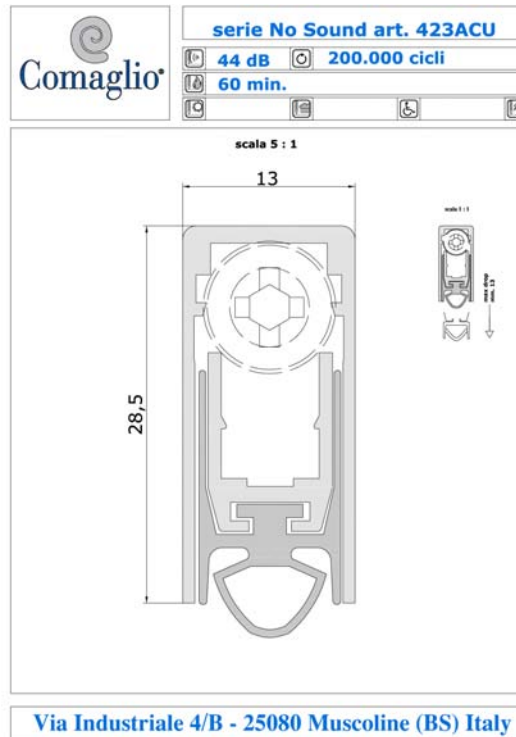
The legal validity of this report can only be claimed on presentation of the complete report

Product reference:	472GT/1774ACU
Series:	No Sound
Description:	Silicone seal with brass push button (pre-fitted screws)



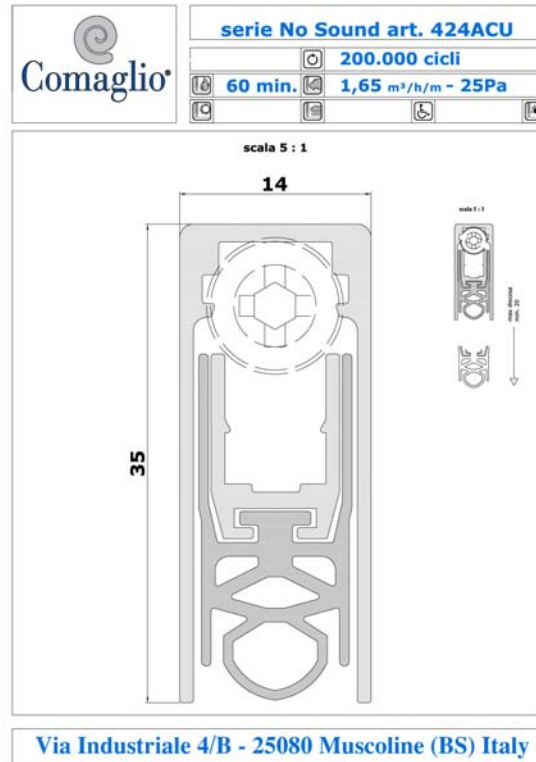
Scope:	Approved for use with 60 minute fire resisting timber based doorsets meeting the criteria in section 4 of assessment referenced: BMT/CNA/F15244
Minimum door leaf thickness:	54mm
Fitting requirements:	The drop down seal is to be rebated centrally in the bottom of the door leaf
Intumescent Protection:	10 x 2mm uncased STS graphite seals must be fitted either side of the drop down seal in the bottom of the door leaf. The perimeter intumescent specification for the door design must be fitted in the frame reveal and not the leaf edge i.e. it is not permitted for the drop seal to interrupt the perimeter intumescent seals around the leaf
Supporting test evidence:	BMT/FEP/F15130

Product reference:	423 ACU
Series:	No Sound
Description:	Silicone seal with nylon push button



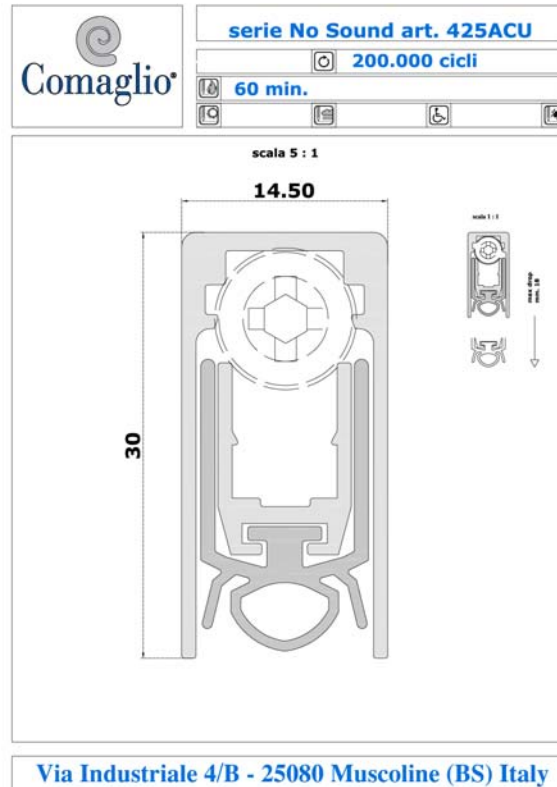
Scope:	Approved for use with 60 minute fire resisting timber based doorsets meeting the criteria in section 4 of assessment referenced: BMT/CNA/F15244
Minimum door leaf thickness:	54mm
Fitting requirements:	The drop down seal is to be rebated centrally in the bottom of the door leaf
Intumescent Protection:	10 x 2mm uncased STS graphite seals must be fitted either side of the drop down seal in the bottom of the door leaf. The perimeter intumescent specification for the door design must be fitted in the frame reveal and not the leaf edge i.e. it is not permitted for the drop seal to interrupt the perimeter intumescent seals around the leaf
Supporting test evidence:	BMT/FEP/F15130

Product reference:	424ACU
Series:	No Sound
Description:	Silicone seal with nylon push button



Scope:	Approved for use with 60 minute fire resisting timber based doorsets meeting the criteria in section 4 of assessment referenced: BMT/CNA/F15244
Minimum door leaf thickness:	54mm
Fitting requirements:	The drop down seal is to be rebated centrally in the bottom of the door leaf
Intumescent Protection:	10 x 2mm uncased STS graphite seals must be fitted either side of the drop down seal in the bottom of the door leaf. The perimeter intumescent specification for the door design must be fitted in the frame reveal and not the leaf edge i.e. it is not permitted for the drop seal to interrupt the perimeter intumescent seals around the leaf
Supporting test evidence:	BMT/FEP/F15130

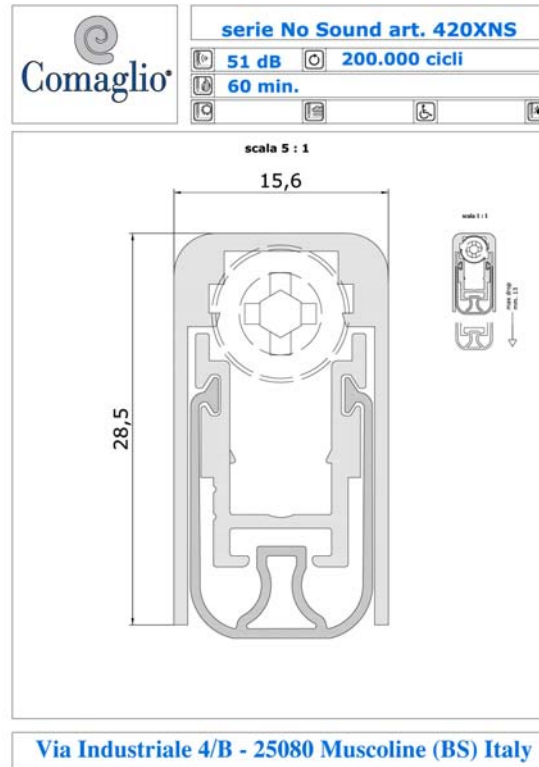
Product reference:	425ACU
Series:	No Sound
Description:	Silicone seal with nylon push button



Scope:	Approved for use with 60 minute fire resisting timber based doorsets meeting the criteria in section 4 of assessment referenced: BMT/CNA/F15244
Minimum door leaf thickness:	54mm
Fitting requirements:	The drop down seal is to be rebated centrally in the bottom of the door leaf
Intumescent Protection:	10 x 2mm uncased STS graphite seals must be fitted either side of the drop down seal in the bottom of the door leaf. The perimeter intumescent specification for the door design must be fitted in the frame reveal and not the leaf edge i.e. it is not permitted for the drop seal to interrupt the perimeter intumescent seals around the leaf
Supporting test evidence:	BMT/FEP/F15130

The legal validity of this report can only be claimed on presentation of the complete report

Product reference:	420 XNS
Series:	No Sound
Description:	Silicone seal with nylon push button

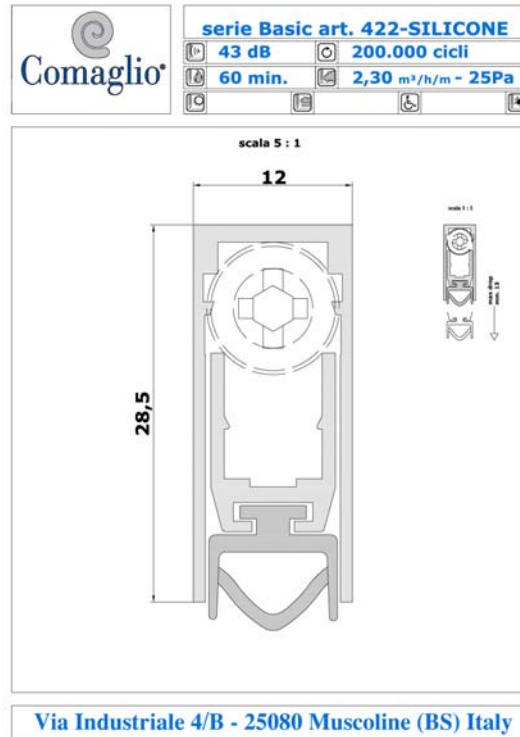


Scope:	Approved for use with 60 minute fire resisting timber based doorsets meeting the criteria in section 4 of assessment referenced: BMT/CNA/F15244
Minimum door leaf thickness:	54mm
Fitting requirements:	The drop down seal is to be rebated centrally in the bottom of the door leaf
Intumescent Protection:	10 x 2mm uncased STS graphite seals must be fitted either side of the drop down seal in the bottom of the door leaf. The perimeter intumescent specification for the door design must be fitted in the frame reveal and not the leaf edge i.e. it is not permitted for the drop seal to interrupt the perimeter intumescent seals around the leaf
Supporting test evidence:	BMT/FEP/F15130

Product reference:	422 H30
Series:	Basic
Description:	Silicone seal with nylon push button
Scope:	Approved for use with 60 minute fire resisting timber based doorsets meeting the criteria in section 4 of assessment referenced: BMT/CNA/F15244
Minimum door leaf thickness:	54mm
Fitting requirements:	The drop down seal is to be rebated centrally in the bottom of the door leaf
Intumescent Protection:	10 x 2mm uncased STS graphite seals must be fitted either side of the drop down seal in the bottom of the door leaf. The perimeter intumescent specification for the door design must be fitted in the frame reveal and not the leaf edge i.e. it is not permitted for the drop seal to interrupt the perimeter intumescent seals around the leaf
Supporting test evidence:	BMT/FEP/F15130

The legal validity of this report can only be claimed on presentation of the complete report

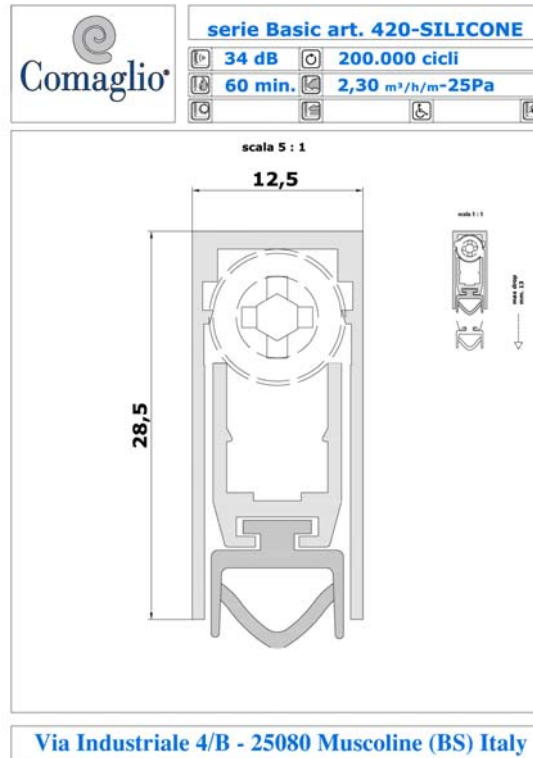
Product reference:	422
Series:	Basic
Description:	Silicone seal with nylon push button



Scope:	Approved for use with 60 minute fire resisting timber based doorsets meeting the criteria in section 4 of assessment referenced: BMT/CNA/F15244
Minimum door leaf thickness:	54mm
Fitting requirements:	The drop down seal is to be rebated centrally in the bottom of the door leaf
Intumescent Protection:	10 x 2mm uncased STS graphite seals must be fitted either side of the drop down seal in the bottom of the door leaf. The perimeter intumescent specification for the door design must be fitted in the frame reveal and not the leaf edge i.e. it is not permitted for the drop seal to interrupt the perimeter intumescent seals around the leaf
Supporting test evidence:	BMT/FEP/F15130

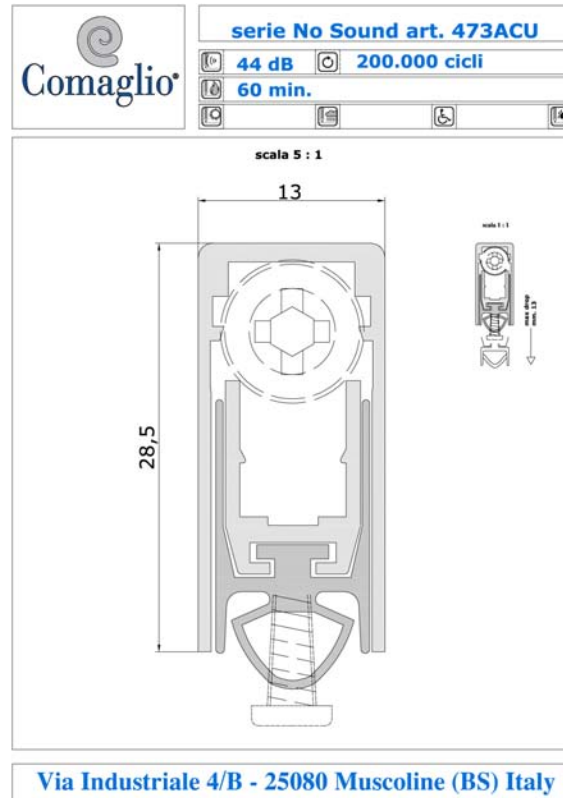
The legal validity of this report can only be claimed on presentation of the complete report

Product reference:	420
Series:	Basic
Description:	Silicone seal with nylon push button



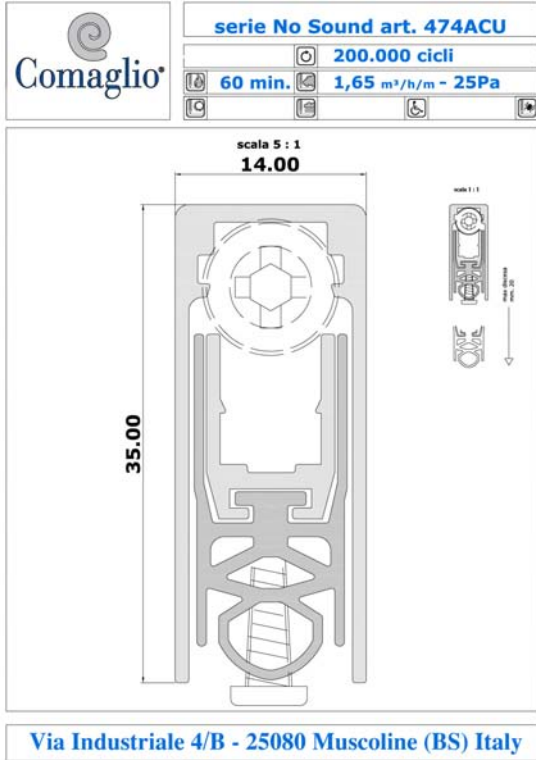
Scope:	Approved for use with 60 minute fire resisting timber based doorsets meeting the criteria in section 4 of assessment referenced: BMT/CNA/F15244
Minimum door leaf thickness:	54mm
Fitting requirements:	The drop down seal is to be rebated centrally in the bottom of the door leaf
Intumescent Protection:	10 x 2mm uncased STS graphite seals must be fitted either side of the drop down seal in the bottom of the door leaf. The perimeter intumescent specification for the door design must be fitted in the frame reveal and not the leaf edge i.e. it is not permitted for the drop seal to interrupt the perimeter intumescent seals around the leaf
Supporting test evidence:	BMT/FEP/F15130

Product reference:	473 ACU
Series:	No Sound
Description:	Silicone seal with nylon push button (pre-fitted screws)

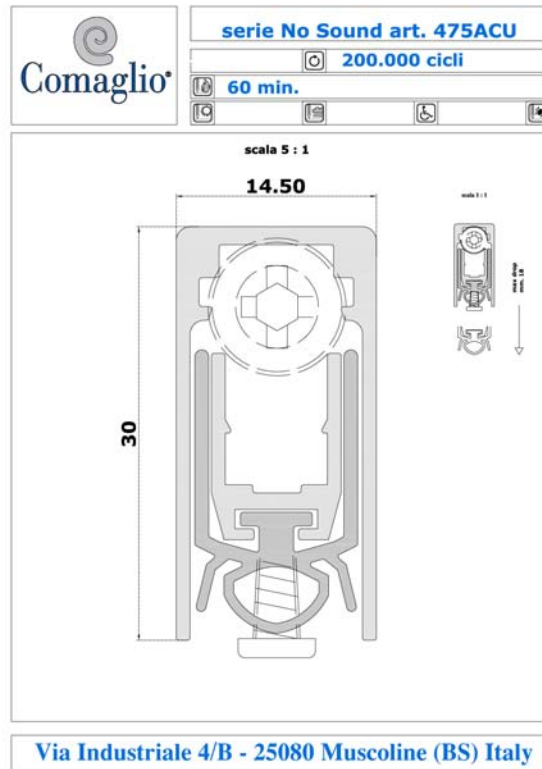


Scope:	Approved for use with 60 minute fire resisting timber based doorsets meeting the criteria in section 4 of assessment referenced: BMT/CNA/F15244
Minimum door leaf thickness:	54mm
Fitting requirements:	The drop down seal is to be rebated centrally in the bottom of the door leaf
Intumescent Protection:	10 x 2mm uncased STS graphite seals must be fitted either side of the drop down seal in the bottom of the door leaf. The perimeter intumescent specification for the door design must be fitted in the frame reveal and not the leaf edge i.e. it is not permitted for the drop seal to interrupt the perimeter intumescent seals around the leaf
Supporting test evidence:	BMT/FEP/F15130

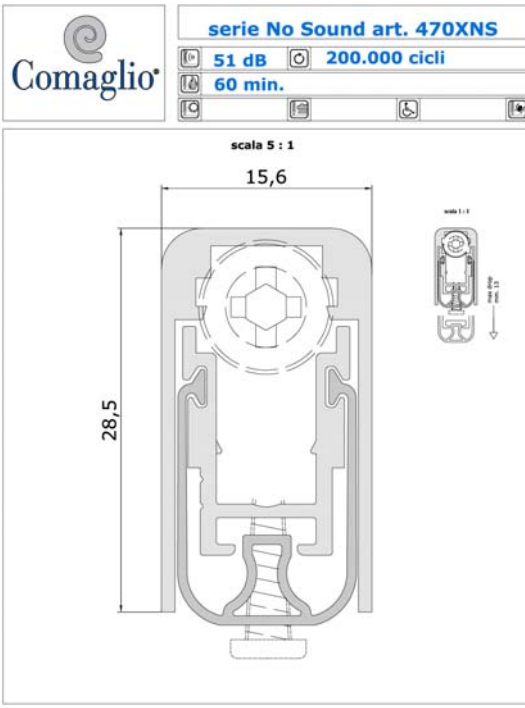
The legal validity of this report can only be claimed on presentation of the complete report

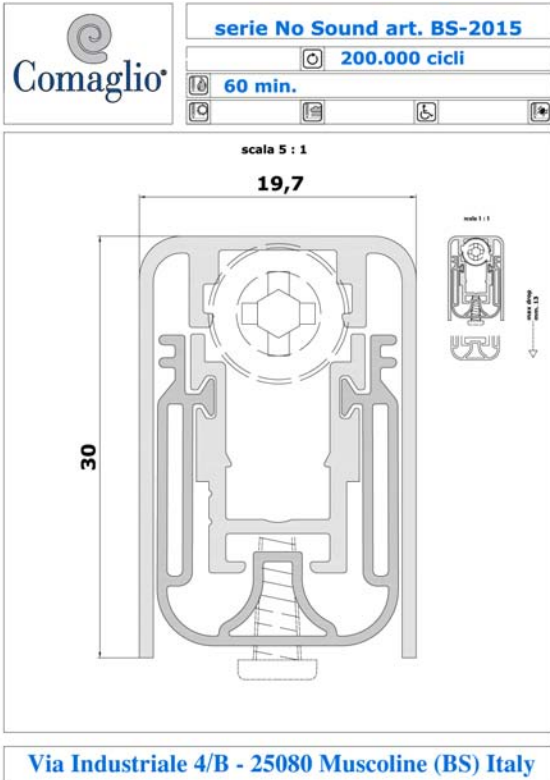
Product reference:	474 ACU
Series:	No Sound
Description:	Silicone seal with nylon push button (pre-fitted screws)
 <p>Comaglio serie No Sound art. 474ACU</p> <p>200.000 cicli</p> <p>60 min. 1,65 m³/h/m - 25Pa</p> <p>scala 5 : 1</p> <p>14.00</p> <p>35.00</p> <p>Via Industriale 4/B - 25080 Muscoline (BS) Italy</p>	
Scope:	Approved for use with 60 minute fire resisting timber based doorsets meeting the criteria in section 4 of assessment referenced: BMT/CNA/F15244
Minimum door leaf thickness:	54mm
Fitting requirements:	The drop down seal is to be rebated centrally in the bottom of the door leaf
Intumescent Protection:	10 x 2mm uncased STS graphite seals must be fitted either side of the drop down seal in the bottom of the door leaf. The perimeter intumescent specification for the door design must be fitted in the frame reveal and not the leaf edge i.e. it is not permitted for the drop seal to interrupt the perimeter intumescent seals around the leaf
Supporting test evidence:	BMT/FEP/F15130

Product reference:	475 ACU
Series:	No Sound
Description:	Silicone seal with nylon push button (pre-fitted screws)



Scope:	Approved for use with 60 minute fire resisting timber based doorsets meeting the criteria in section 4 of assessment referenced: BMT/CNA/F15244
Minimum door leaf thickness:	54mm
Fitting requirements:	The drop down seal is to be rebated centrally in the bottom of the door leaf
Intumescent Protection:	10 x 2mm uncased STS graphite seals must be fitted either side of the drop down seal in the bottom of the door leaf. The perimeter intumescent specification for the door design must be fitted in the frame reveal and not the leaf edge i.e. it is not permitted for the drop seal to interrupt the perimeter intumescent seals around the leaf
Supporting test evidence:	BMT/FEP/F15130

Product reference:	470 XNS
Series:	No Sound
Description:	Silicone seal with nylon push button (pre-fitted screws)
 <p>Comaglio</p> <p>serie No Sound art. 470XNS</p> <p>51 dB 200.000 cicli</p> <p>60 min.</p> <p>scala 5 : 1</p> <p>15,6</p> <p>28,5</p> <p>Via Industriale 4/B - 25080 Muscoline (BS) Italy</p>	
Scope:	Approved for use with 60 minute fire resisting timber based doorsets meeting the criteria in section 4 of assessment referenced: BMT/CNA/F15244
Minimum door leaf thickness:	54mm
Fitting requirements:	The drop down seal is to be rebated centrally in the bottom of the door leaf
Intumescent Protection:	10 x 2mm uncased STS graphite seals must be fitted either side of the drop down seal in the bottom of the door leaf. The perimeter intumescent specification for the door design must be fitted in the frame reveal and not the leaf edge i.e. it is not permitted for the drop seal to interrupt the perimeter intumescent seals around the leaf
Supporting test evidence:	BMT/FEP/F15130

Product reference:	BS-2015
Series:	No Sound
Description:	Silicone seal with nylon push button (pre-fitted screws)
 <p>Comaglio</p> <p>serie No Sound art. BS-2015</p> <p>200.000 cicli</p> <p>60 min.</p> <p>scala 5 : 1</p> <p>19,7</p> <p>30</p> <p>Via Industriale 4/B - 25080 Muscoline (BS) Italy</p>	
Scope:	Approved for use with 60 minute fire resisting timber based doorsets meeting the criteria in section 4 of assessment referenced: BMT/CNA/F15244
Minimum door leaf thickness:	54mm
Fitting requirements:	The drop down seal is to be rebated centrally in the bottom of the door leaf
Intumescent Protection:	10 x 2mm uncased STS graphite seals must be fitted either side of the drop down seal in the bottom of the door leaf. The perimeter intumescent specification for the door design must be fitted in the frame reveal and not the leaf edge i.e. it is not permitted for the drop seal to interrupt the perimeter intumescent seals around the leaf
Supporting test evidence:	BMT/FEP/F15130

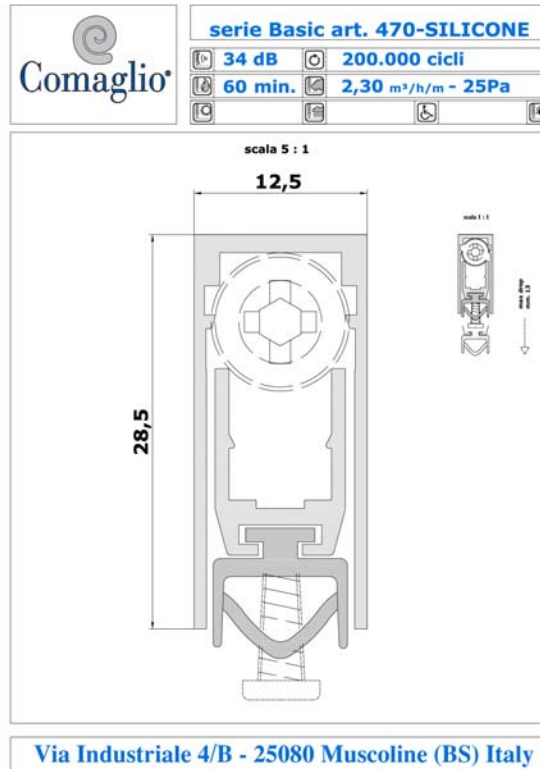
The legal validity of this report can only be claimed on presentation of the complete report

Product reference:	472-H30
Series:	Basic
Description:	Silicone seal with nylon push button (pre-fitted screws)
Scope:	Approved for use with 60 minute fire resisting timber based doorsets meeting the criteria in section 4 of assessment referenced: BMT/CNA/F15244
Minimum door leaf thickness:	54mm
Fitting requirements:	The drop down seal is to be rebated centrally in the bottom of the door leaf
Intumescent Protection:	10 x 2mm uncased STS graphite seals must be fitted either side of the drop down seal in the bottom of the door leaf. The perimeter intumescent specification for the door design must be fitted in the frame reveal and not the leaf edge i.e. it is not permitted for the drop seal to interrupt the perimeter intumescent seals around the leaf
Supporting test evidence:	BMT/FEP/F15130

The legal validity of this report can only be claimed on presentation of the complete report

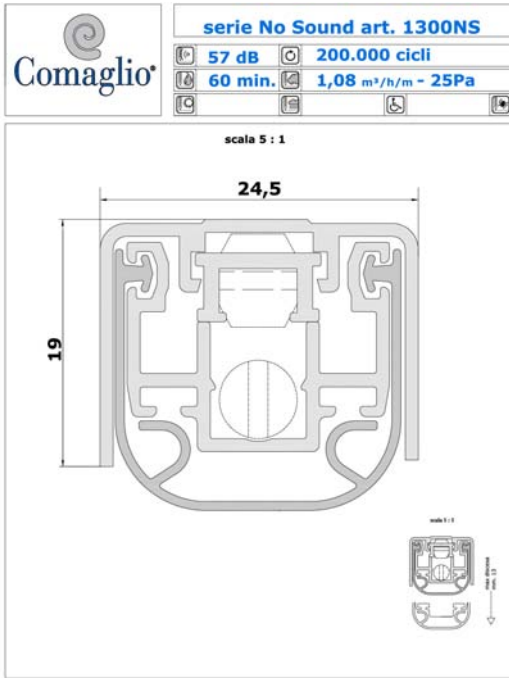
Product reference:	472
Series:	Basic
Description:	Silicone seal with nylon push button (pre-fitted screws)
Scope:	Approved for use with 60 minute fire resisting timber based doorsets meeting the criteria in section 4 of assessment referenced: BMT/CNA/F15244
Minimum door leaf thickness:	54mm
Fitting requirements:	The drop down seal is to be rebated centrally in the bottom of the door leaf
Intumescent Protection:	10 x 2mm uncased STS graphite seals must be fitted either side of the drop down seal in the bottom of the door leaf. The perimeter intumescent specification for the door design must be fitted in the frame reveal and not the leaf edge i.e. it is not permitted for the drop seal to interrupt the perimeter intumescent seals around the leaf
Supporting test evidence:	BMT/FEP/F15130

Product reference:	470
Series:	Basic
Description:	Silicone seal with nylon push button (pre-fitted screws)

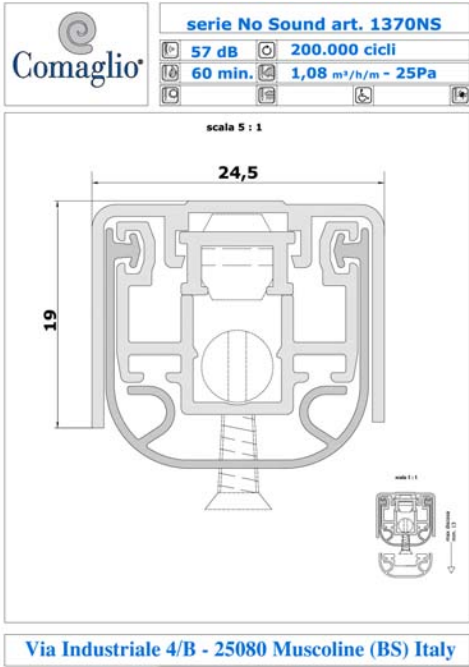


Scope:	Approved for use with 60 minute fire resisting timber based doorsets meeting the criteria in section 4 of assessment referenced: BMT/CNA/F15244
Minimum door leaf thickness:	54mm
Fitting requirements:	The drop down seal is to be rebated centrally in the bottom of the door leaf
Intumescent Protection:	10 x 2mm uncased STS graphite seals must be fitted either side of the drop down seal in the bottom of the door leaf. The perimeter intumescent specification for the door design must be fitted in the frame reveal and not the leaf edge i.e. it is not permitted for the drop seal to interrupt the perimeter intumescent seals around the leaf
Supporting test evidence:	BMT/FEP/F15130

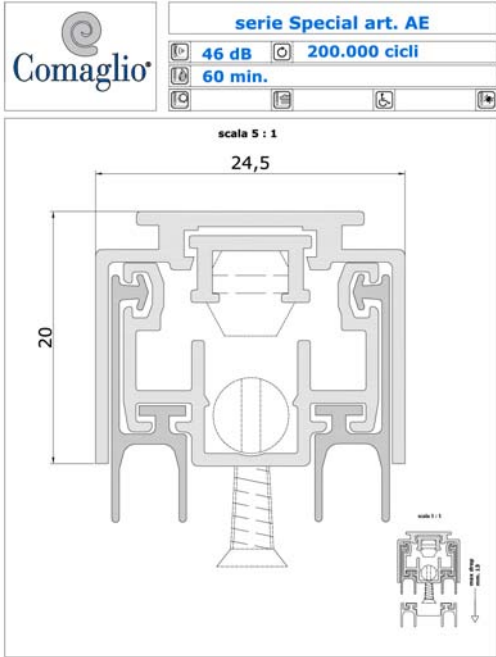
The legal validity of this report can only be claimed on presentation of the complete report

Product reference:	1300 NS
Series:	No Sound
Description:	Silicone seal with brass push button
	
<p>Via Industriale 4/B - 25080 Muscoline (BS) Italy</p>	
Scope:	Approved for use with 60 minute fire resisting timber based doorsets meeting the criteria in section 4 of assessment referenced: BMT/CNA/F15244
Minimum door leaf thickness:	54mm
Fitting requirements:	The drop down seal is to be rebated centrally in the bottom of the door leaf
Intumescent Protection:	10 x 2mm uncased STS graphite seals must be fitted either side of the drop down seal in the bottom of the door leaf. The perimeter intumescent specification for the door design must be fitted in the frame reveal and not the leaf edge i.e. it is not permitted for the drop seal to interrupt the perimeter intumescent seals around the leaf
Supporting test evidence:	BMT/FEP/F15130

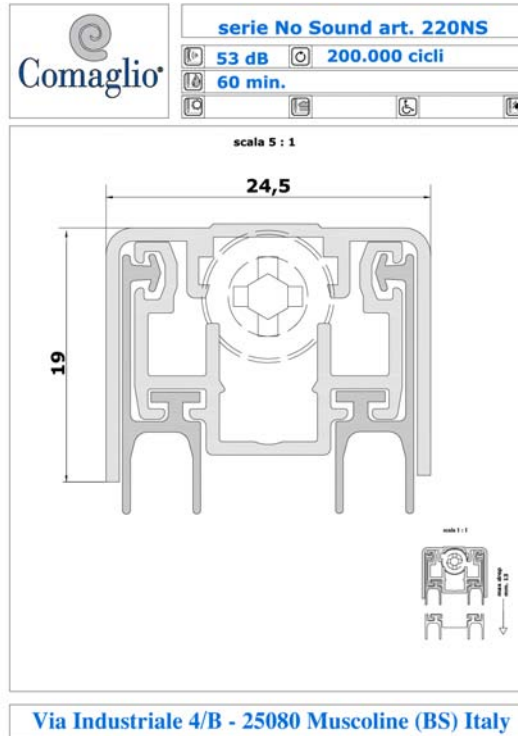
The legal validity of this report can only be claimed on presentation of the complete report

Product reference:	1370 NS
Series:	No Sound
Description:	Silicone seal with brass push button (pre-fitted screws)
	
Scope:	Approved for use with 60 minute fire resisting timber based doorsets meeting the criteria in section 4 of assessment referenced: BMT/CNA/F15244
Minimum door leaf thickness:	54mm
Fitting requirements:	The drop down seal is to be rebated centrally in the bottom of the door leaf
Intumescent Protection:	10 x 2mm uncased STS graphite seals must be fitted either side of the drop down seal in the bottom of the door leaf. The perimeter intumescent specification for the door design must be fitted in the frame reveal and not the leaf edge i.e. it is not permitted for the drop seal to interrupt the perimeter intumescent seals around the leaf
Supporting test evidence:	BMT/FEP/F15130

The legal validity of this report can only be claimed on presentation of the complete report

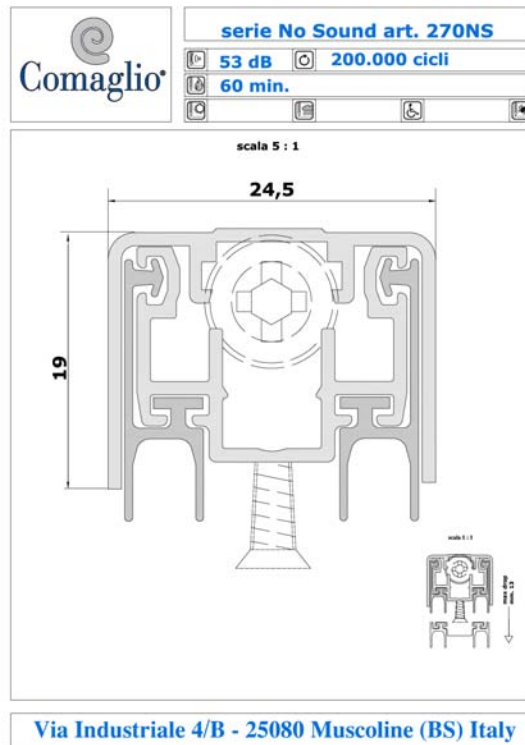
Product reference:	AE
Series:	Special
Description:	Silicone seal with brass push button (pre-fitted screws)
	
<p>Via Industriale 4/B - 25080 Muscoline (BS) Italy</p>	
Scope:	Approved for use with 60 minute fire resisting timber based doorsets meeting the criteria in section 4 of assessment referenced: BMT/CNA/F15244
Minimum door leaf thickness:	54mm
Fitting requirements:	The drop down seal is to be rebated centrally in the bottom of the door leaf
Intumescent Protection:	10 x 2mm uncased STS graphite seals must be fitted either side of the drop down seal in the bottom of the door leaf. The perimeter intumescent specification for the door design must be fitted in the frame reveal and not the leaf edge i.e. it is not permitted for the drop seal to interrupt the perimeter intumescent seals around the leaf
Supporting test evidence:	BMT/FEP/F15130

Product reference:	220 NS
Series:	No Sound
Description:	Silicone seal with nylon push button

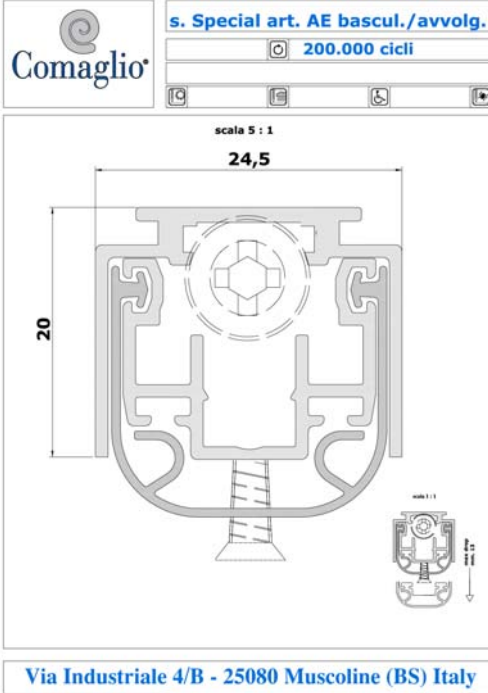


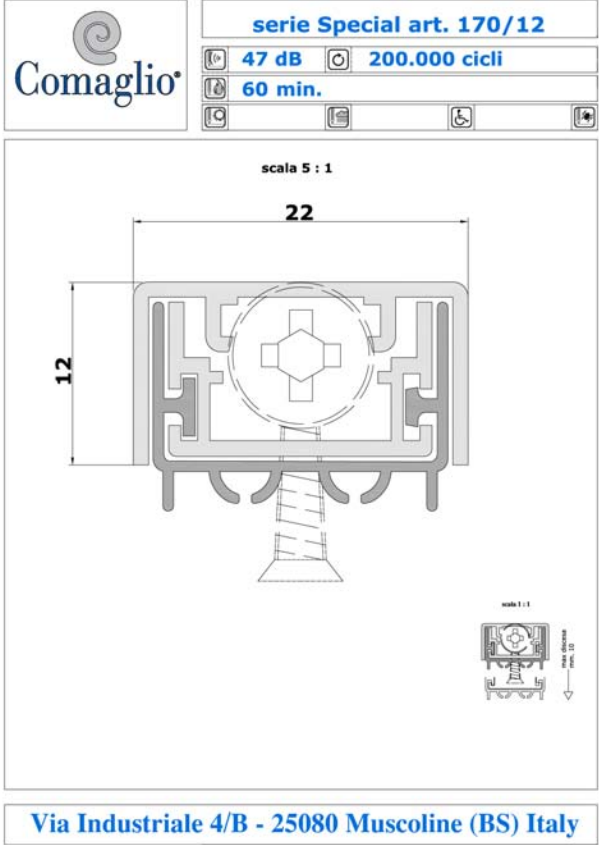
Scope:	Approved for use with 60 minute fire resisting timber based doorsets meeting the criteria in section 4 of assessment referenced: BMT/CNA/F15244
Minimum door leaf thickness:	54mm
Fitting requirements:	The drop down seal is to be rebated centrally in the bottom of the door leaf
Intumescent Protection:	10 x 2mm uncased STS graphite seals must be fitted either side of the drop down seal in the bottom of the door leaf. The perimeter intumescent specification for the door design must be fitted in the frame reveal and not the leaf edge i.e. it is not permitted for the drop seal to interrupt the perimeter intumescent seals around the leaf
Supporting test evidence:	BMT/FEP/F15130

Product reference:	270 NS
Series:	No Sound
Description:	Silicone seal with nylon push button (pre-fitted screws)

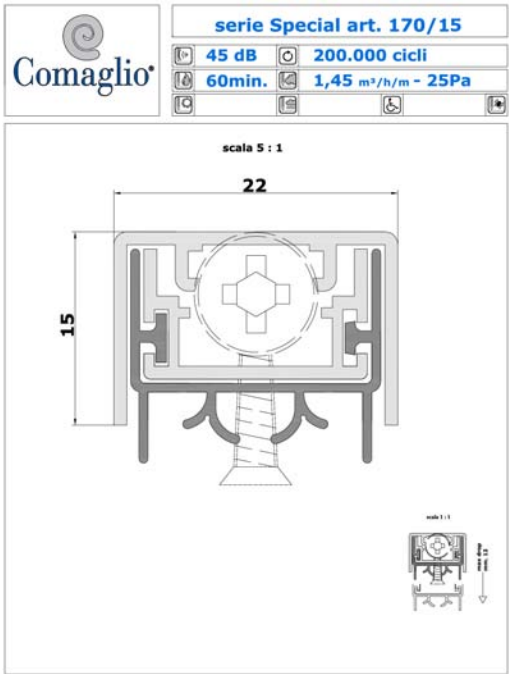


Scope:	Approved for use with 60 minute fire resisting timber based doorsets meeting the criteria in section 4 of assessment referenced: BMT/CNA/F15244
Minimum door leaf thickness:	54mm
Fitting requirements:	The drop down seal is to be rebated centrally in the bottom of the door leaf
Intumescent Protection:	10 x 2mm uncased STS graphite seals must be fitted either side of the drop down seal in the bottom of the door leaf. The perimeter intumescent specification for the door design must be fitted in the frame reveal and not the leaf edge i.e. it is not permitted for the drop seal to interrupt the perimeter intumescent seals around the leaf
Supporting test evidence:	BMT/FEP/F15130

Product reference:	AE bascul/avvlog
Series:	Special
Description:	Silicone seal with brass push button (pre-fitted screws)
 <p>Comaglio s. Special art. AE bascul./avvlog. 200.000 cicli scala 5 : 1 24,5 20 Via Industriale 4/B - 25080 Muscoline (BS) Italy</p>	
Scope:	Approved for use with 60 minute fire resisting timber based doorsets meeting the criteria in section 4 of assessment referenced: BMT/CNA/F15244
Minimum door leaf thickness:	54mm
Fitting requirements:	The drop down seal is to be rebated centrally in the bottom of the door leaf
Intumescent Protection:	10 x 2mm uncased STS graphite seals must be fitted either side of the drop down seal in the bottom of the door leaf. The perimeter intumescent specification for the door design must be fitted in the frame reveal and not the leaf edge i.e. it is not permitted for the drop seal to interrupt the perimeter intumescent seals around the leaf
Supporting test evidence:	BMT/FEP/F15130

Product reference:	170/12
Series:	Special
Description:	Silicone seal with brass push button (pre-fitted screws)
 <p>Comaglio</p> <p>serie Special art. 170/12</p> <p>47 dB 200.000 cicli</p> <p>60 min.</p> <p>scala 5 : 1</p> <p>22</p> <p>12</p> <p>scala 1 : 1</p> <p>Via Industriale 4/B - 25080 Muscoline (BS) Italy</p>	
Scope:	Approved for use with 60 minute fire resisting timber based doorsets meeting the criteria in section 4 of assessment referenced: BMT/CNA/F15244
Minimum door leaf thickness:	54mm
Fitting requirements:	The drop down seal is to be rebated centrally in the bottom of the door leaf
Intumescent Protection:	10 x 2mm uncased STS graphite seals must be fitted either side of the drop down seal in the bottom of the door leaf. The perimeter intumescent specification for the door design must be fitted in the frame reveal and not the leaf edge i.e. it is not permitted for the drop seal to interrupt the perimeter intumescent seals around the leaf
Supporting test evidence:	BMT/FEP/F15130

The legal validity of this report can only be claimed on presentation of the complete report

Product reference:	170/15
Series:	Special
Description:	Silicone seal with brass push button (pre-fitted screws)
	
<p>Via Industriale 4/B - 25080 Muscoline (BS) Italy</p>	
Scope:	Approved for use with 60 minute fire resisting timber based doorsets meeting the criteria in section 4 of assessment referenced: BMT/CNA/F15244
Minimum door leaf thickness:	54mm
Fitting requirements:	The drop down seal is to be rebated centrally in the bottom of the door leaf
Intumescent Protection:	10 x 2mm uncased STS graphite seals must be fitted either side of the drop down seal in the bottom of the door leaf. The perimeter intumescent specification for the door design must be fitted in the frame reveal and not the leaf edge i.e. it is not permitted for the drop seal to interrupt the perimeter intumescent seals around the leaf
Supporting test evidence:	BMT/FEP/F15130

The legal validity of this report can only be claimed on presentation of the complete report

BM TRADA provides independent certification, testing, inspection, training and technical services around the world. We help customers large and small to prove their business and product credentials and to improve performance and compliance. With an international presence across many industry sectors, we offer a special focus and long history of technical excellence in supply chain certification, product certification and testing, and technical services to the timber, building, fire and furniture industries.



testing@bmtrada.com



bmtradagroup.com



+44 (0) 1494 569800